

US00D755407S

(12) **United States Design Patent**
Hill et al.

(10) **Patent No.:** **US D755,407 S**
(45) **Date of Patent:** **** May 3, 2016**

- (54) **BUILDING MATERIAL**
- (71) Applicant: **Boral IP Holdings (Australia) PTY Limited**, North Sydney (AU)
- (72) Inventors: **Russell Hill**, San Antonio, TX (US);
Brian Below, Atlanta, GA (US);
Kenneth Bruns, Charlotte, NC (US)
- (73) Assignee: **Boral IP Holdings (Australia) PTY Limited**, North Sydney (AU)

6,467,229 B2 * 10/2002 Azar E04B 2/06
52/589.1
6,546,691 B2 * 4/2003 Leopolder E04F 15/02
52/590.2
D483,882 S 12/2003 Glatz
D514,236 S 1/2006 Glatz
D526,248 S 8/2006 Stidham et al.
D528,671 S 9/2006 Grafenauer
D553,760 S 10/2007 Schrader
D561,916 S 2/2008 Visintin
D562,466 S 2/2008 Visintin

(Continued)

(**) Term: **14 Years**

(21) Appl. No.: **29/498,294**

(22) Filed: **Aug. 1, 2014**

(51) **LOC (10) Cl.** **25-01**

(52) **U.S. Cl.**
USPC **D25/118**

(58) **Field of Classification Search**
USPC D25/138, 119, 103, 139, 140, 141, 151,
D25/153, 157, 158, 159, 160, 161;
52/588.1, 589.1, 590.1, 590.2, 206.01,
52/578, 506.01, 506.06, 608, 612, 596,
52/314, 311.1, 311.2, 36.1; D5/43, 44, 46,
D5/56, 58, 59, 60, 61, 99
CPC E04F 15/02; E04F 15/04; B65D 90/043;
B65D 90/045

See application file for complete search history.

(56) **References Cited**

U.S. PATENT DOCUMENTS

148,016 A * 2/1874 Winins E04F 15/04
52/539
2,797,450 A * 7/1957 Ropella E06B 5/16
428/50
2,902,853 A * 9/1959 Lofstrom E04B 2/18
52/286
4,065,899 A 1/1978 Kirkhuff
4,183,454 A 1/1980 Snell
D410,868 S 6/1999 Hall

OTHER PUBLICATIONS

Copending Design U.S. Appl. No. 29/498,290, filed Aug. 1, 2014,
and its prosecution history.

(Continued)

Primary Examiner — Susan E Krakower

Assistant Examiner — Camelia Styles

(74) *Attorney, Agent, or Firm* — Meunier Carlin & Curfman
LLC

(57) **CLAIM**

The ornamental design for a building material, as shown and
described.

DESCRIPTION

FIG. 1 is a front perspective view of a building material
showing our new design.

FIG. 2 is a front view thereof.

FIG. 3 is a back view thereof.

FIG. 4 is a left-side view thereof. The right-side view thereof
is a mirror image of the left-side view.

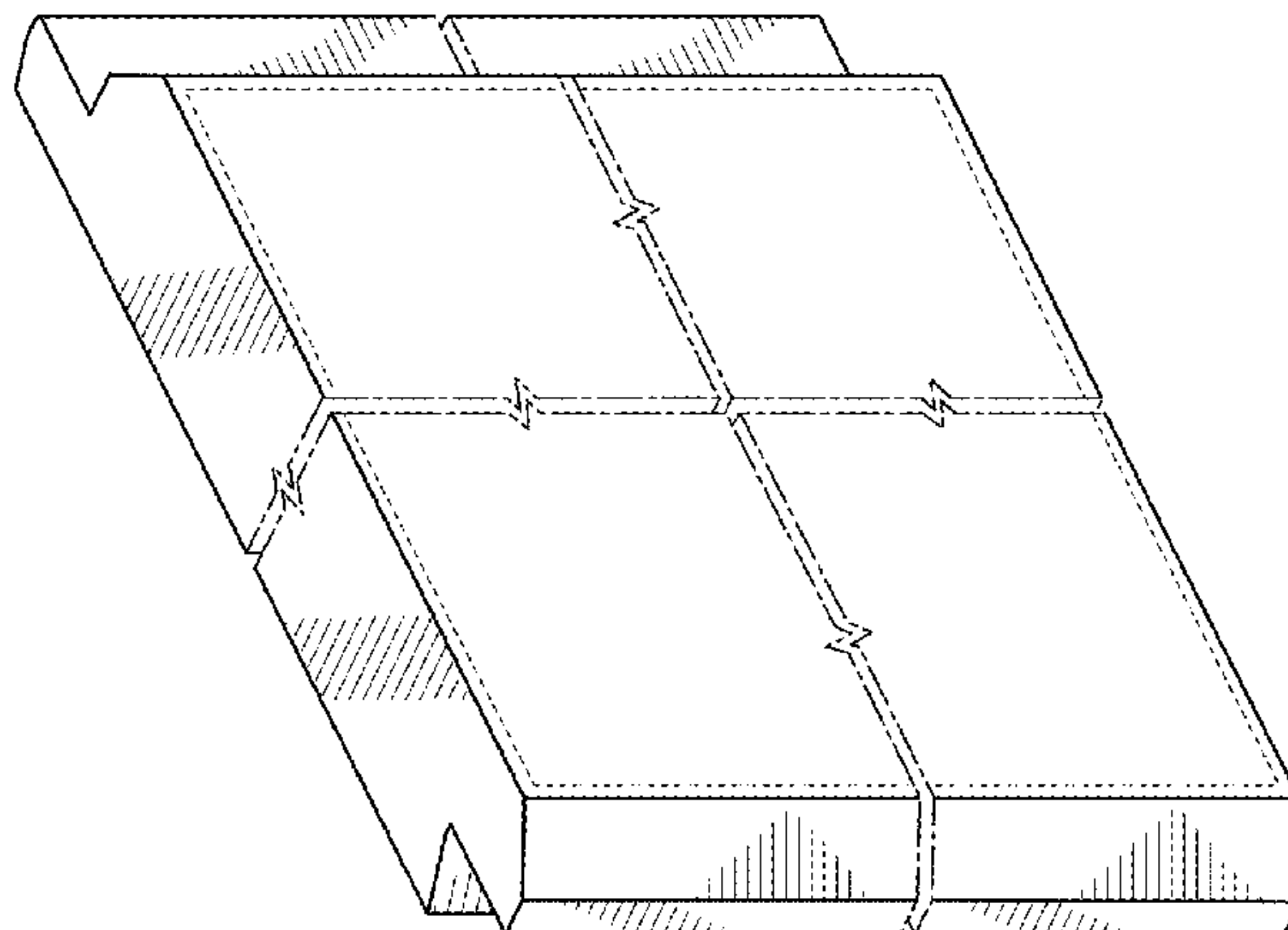
FIG. 5 is a top view thereof; and,

FIG. 6 is a bottom view thereof.

The broken away symbols traversing, both vertically and
horizontally, through the building material, indicate that any
portion of the article beyond what is shown forms no part of
the claimed design.

The broken lines illustrate portions of the front and back
surfaces which form no part of the claimed design.

1 Claim, 5 Drawing Sheets



(56)

References Cited

U.S. PATENT DOCUMENTS

D562,467	S	2/2008	Coulson	
D578,669	S	10/2008	Kaump	
D603,066	S *	10/2009	Warren D25/138
7,713,615	B2 *	5/2010	Black B28B 1/002 428/113
D629,125	S	12/2010	Johnston	
7,892,617	B2 *	2/2011	Bathelier E04F 13/08 428/221
D634,026	S	3/2011	Baccarini	
D661,818	S	6/2012	Hamblin	
D666,326	S	8/2012	Sims	
8,397,459	B2 *	3/2013	Gately E04F 13/0864 52/409
8,409,380	B2	4/2013	Black et al.	
8,453,411	B2 *	6/2013	Braun C09J 5/00 428/425.1
D686,757	S	7/2013	Johnston	
D694,434	S	11/2013	Valentine	
D701,620	S	3/2014	Valentine	
D720,865	S	1/2015	Gori et al.	
D720,867	S	1/2015	Agyin	
D721,189	S	1/2015	Gori et al.	
D729,949	S *	5/2015	Hartman D25/119
D733,928	S *	7/2015	Smith D25/48.2
D736,452	S *	8/2015	Huang D26/120
9,140,018	B2 *	9/2015	Southwell E04F 13/0817
D742,552	S	11/2015	Swanson	
2013/0160387	A1	6/2013	DiLonardo et al.	
2013/0199121	A1	8/2013	Grau	

OTHER PUBLICATIONS

Copending Design U.S. Appl. No. 29/498,291, filed Aug. 1, 2014, and its prosecution history.

Copending Design U.S. Appl. No. 29/498,292, filed Aug. 1, 2014, and its prosecution history.

Copending Design U.S. Appl. No. 29/498,296, filed Aug. 1, 2014, and its prosecution history.

California Redwood Association, Redwood Lumber Patterns No. 17, available at <http://www.redwoodinspection.com/pdf/Patterns17.pdf> (accessed Jul. 1, 2014).

Selflok Millwood Smooth, available at <http://www.weathertex.com.au/products/weatherboards/selflok/selflok-millwood-smooth/> (accessed Jul. 1, 2014).

Selflok Millwood Ruff Sawn, available at <http://www.weathertex.com.au/products/weatherboards/selflok/selflok-millwood-ruff-sawn/> (accessed Jul. 1, 2014).

Selflok Old Colonial Smooth, available at <http://www.weathertex.com.au/products/weatherboards/selflok/selflok-old-colonial-smooth/> (accessed Jul. 1, 2014).

Selflok Texwood Smooth, available at <http://www.weathertex.com.au/products/weatherboards/selflok/selflok-texwood-smooth/> (accessed Jul. 1, 2014).

Selflok Ecogroove 150 Smooth available at <http://www.weathertex.com.au/products/weatherboards/selflok/selflok-ecogroove-150-smooth/> (accessed Jul. 1, 2014).

Selflok Ecogroove 150 Woodman available at <http://www.weathertex.com.au/products/weatherboards/selflok/selflok-ecogroove-150-woodsman/> (accessed Jul. 1, 2014).

Selflok Ecogroove 300 Smooth available at <http://www.weathertex.com.au/products/weatherboards/selflok/selflok-ecogroove-300-smooth/> (accessed Jul. 1, 2014).

Selflok Ecogroove 300 Woodsman available at <http://www.weathertex.com.au/products/weatherboards/selflok/selflok-ecogroove-300-woodsman/> (accessed Jul. 1, 2014).

* cited by examiner

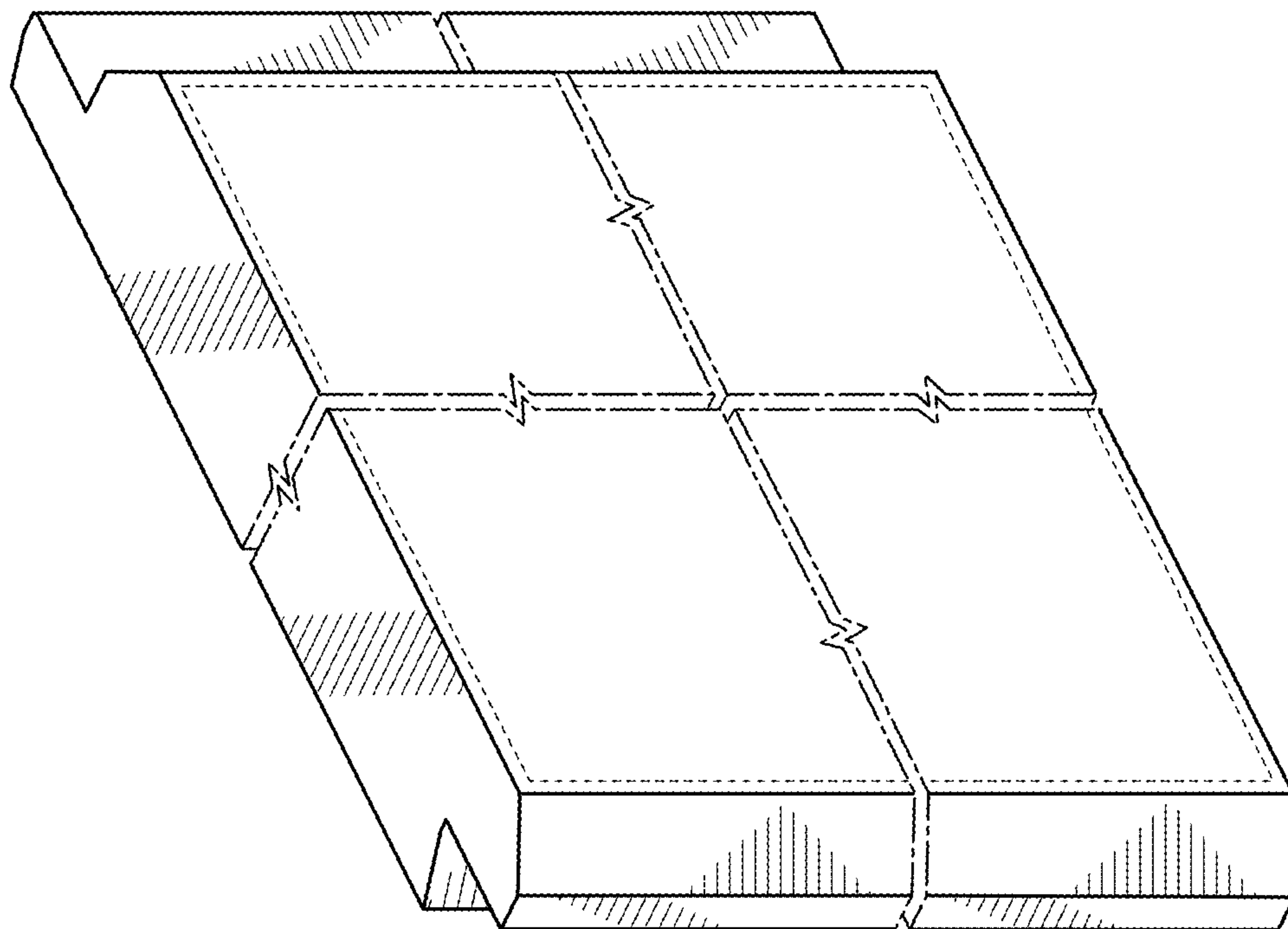


FIG. 1

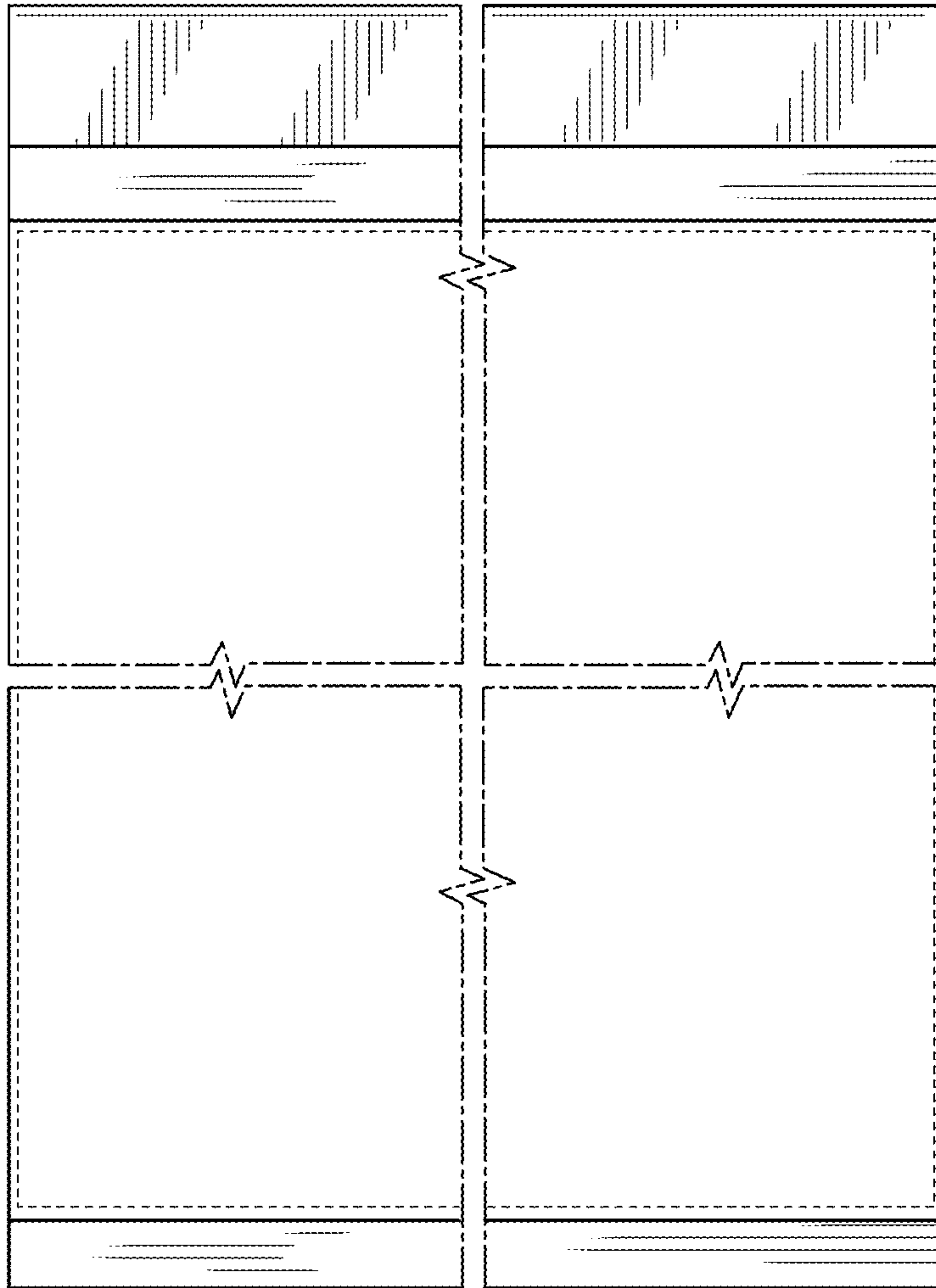


FIG. 2

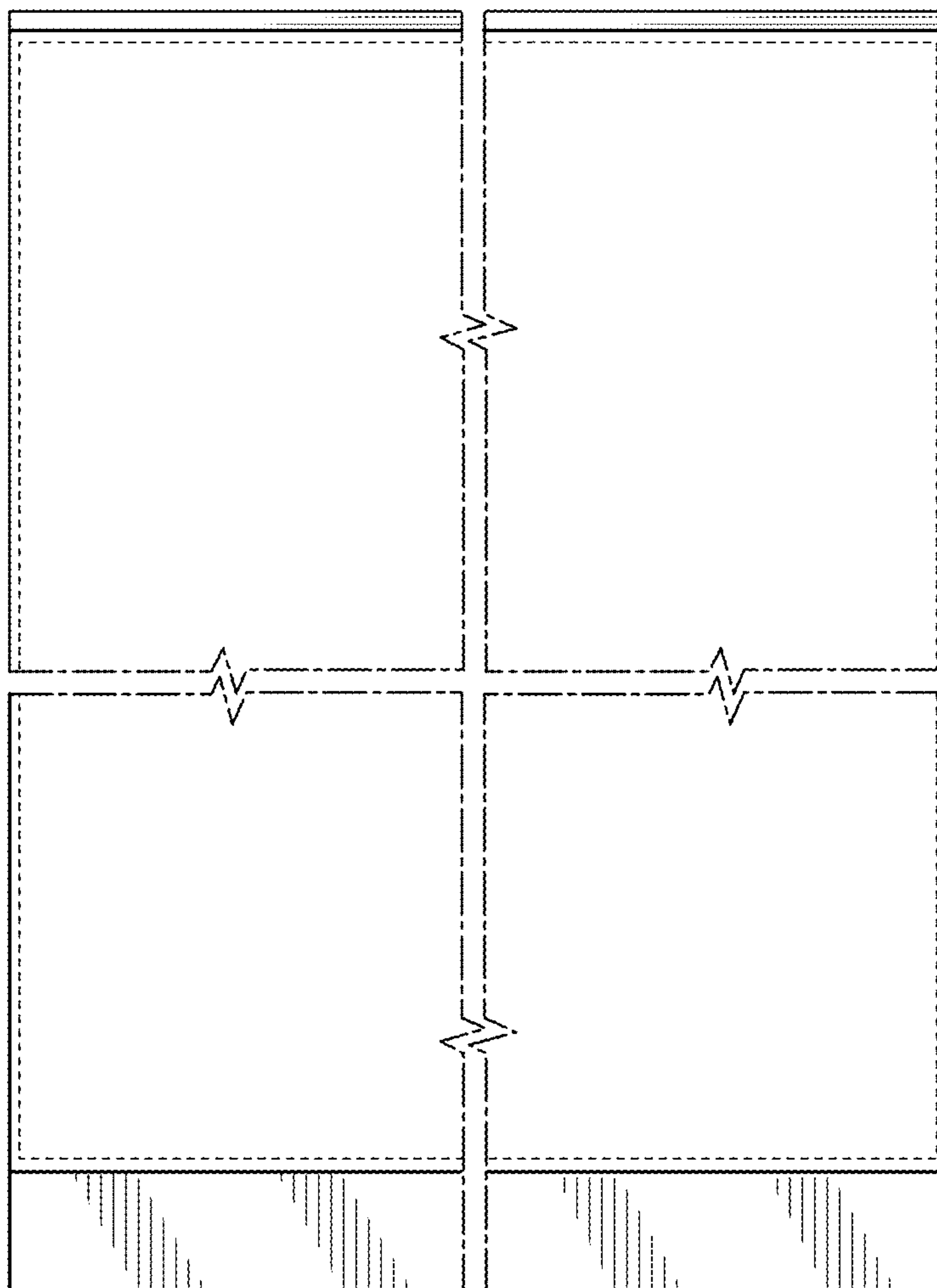


FIG. 3

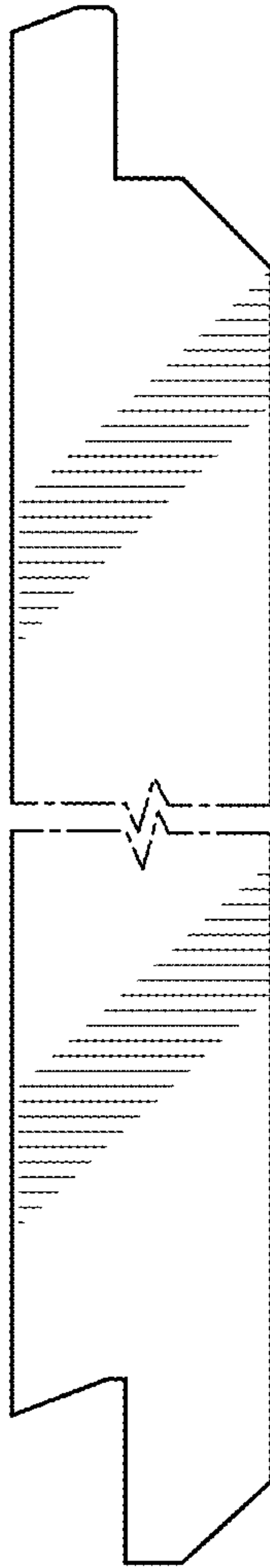


FIG. 4

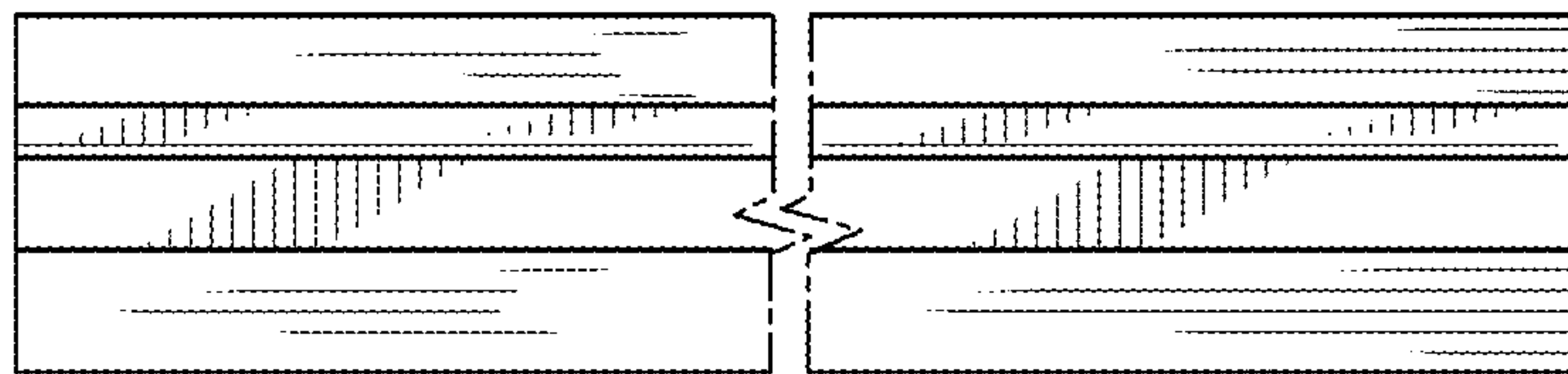


FIG. 5

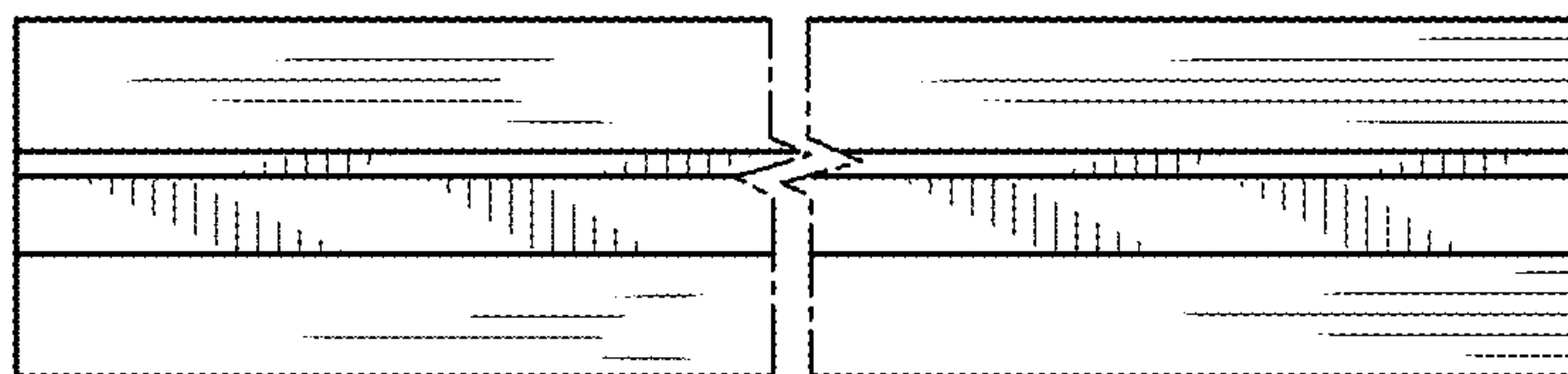


FIG. 6