



US00D755406S

(12) **United States Design Patent**
Stockman

(10) **Patent No.:** **US D755,406 S**

(45) **Date of Patent:** **** May 3, 2016**

(54) **BALUSTER**

(71) Applicant: **Chadwick D Stockman**, Lohman, MO
(US)

(72) Inventor: **Chadwick D Stockman**, Lohman, MO
(US)

(**) Term: **14 Years**

(21) Appl. No.: **29/509,301**

(22) Filed: **Nov. 16, 2014**

(51) **LOC (10) Cl.** **25-02**

(52) **U.S. Cl.**
USPC **D25/38.1**

(58) **Field of Classification Search**
USPC D25/38.1, 39, 40, 41.1, 42, 43, 44, 45,
D25/46
CPC E04F 11/1842; E04F 2011/1887;
E04F 11/181; E04F 2011/1897; E04F
11/1838; E04H 17/1434; E04H 17/24; E04H
2017/1478

See application file for complete search history.

(56) **References Cited**

U.S. PATENT DOCUMENTS

- 87,336 A * 3/1869 Fraker E04F 11/181
256/69
- 1,526,638 A * 2/1925 Knight E04F 11/181
256/22
- 3,339,895 A * 9/1967 Kusel E04F 11/181
256/22
- 5,957,437 A * 9/1999 Savenok E04F 11/181
256/59
- D422,370 S * 4/2000 Fetzer D25/128
- D467,352 S * 12/2002 Panek D25/100
- D471,644 S * 3/2003 Schaefer D25/126
- D512,165 S 11/2005 Hoggan

- 7,427,055 B2 * 9/2008 Platt E04F 11/181
256/65.05
- D578,667 S 10/2008 Fitts, III
- D626,253 S * 10/2010 Ramadan D25/100
- D739,557 S * 9/2015 Buente D25/38.1
- 2008/0029025 A1 * 2/2008 Nameche B05B 15/0456
118/505
- 2008/0157048 A1 * 7/2008 Beachler E04F 11/1812
256/65.03
- 2010/0265736 A1 * 10/2010 Fox E04F 11/181
362/565

OTHER PUBLICATIONS

- http://www.burroughshardwoods.com/StairParts/Newel_Posts/newel_posts.html#—Downloaded Jan. 4, 2016.*
- <http://www.brosco.com/uploads/images/Image%20Library/CH%20Box%20Newel%20Beauty.jpg>—Downloaded Jan. 4, 2016.*
- <https://www.diyhomecenter.com/deckorators/deckorators-square-balusters-32-inch-pack-of-10.aspx>—Downloaded Jan. 4, 2016.*

* cited by examiner

Primary Examiner — Manpreet Matharu

Assistant Examiner — Mojtaba Tehrani

(74) *Attorney, Agent, or Firm* — David H. Chervitz

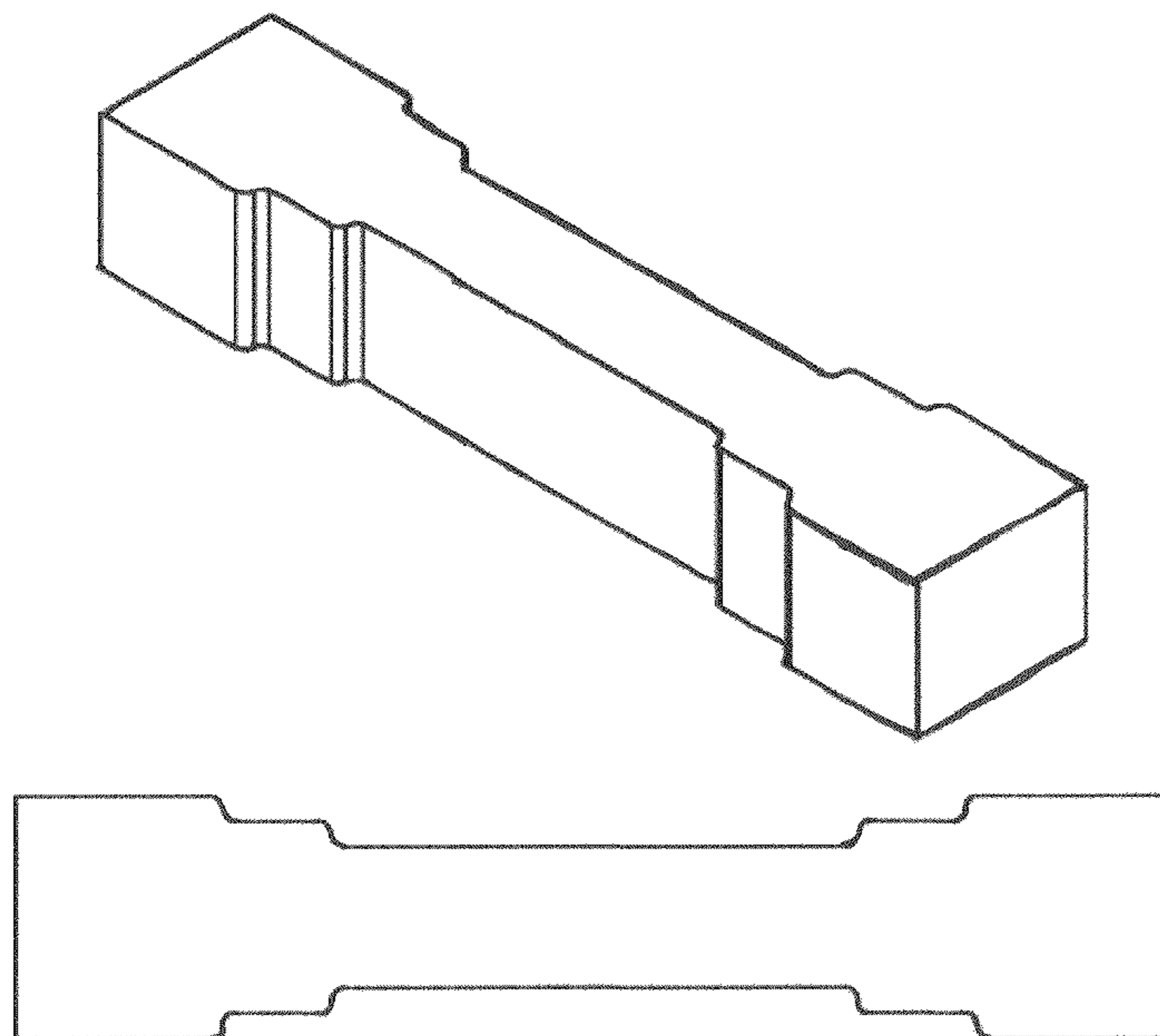
(57) **CLAIM**

I claim the ornamental design for a baluster, as shown and described.

DESCRIPTION

FIG. 1 is a perspective view of the baluster;
FIG. 2 is a top view of the baluster;
FIG. 3 is a bottom view of the baluster;
FIG. 4 is a left side view of the baluster;
FIG. 5 is a right side view of the baluster;
FIG. 6 is a front view of the baluster; and,
FIG. 7 is a back view of the baluster.

1 Claim, 4 Drawing Sheets



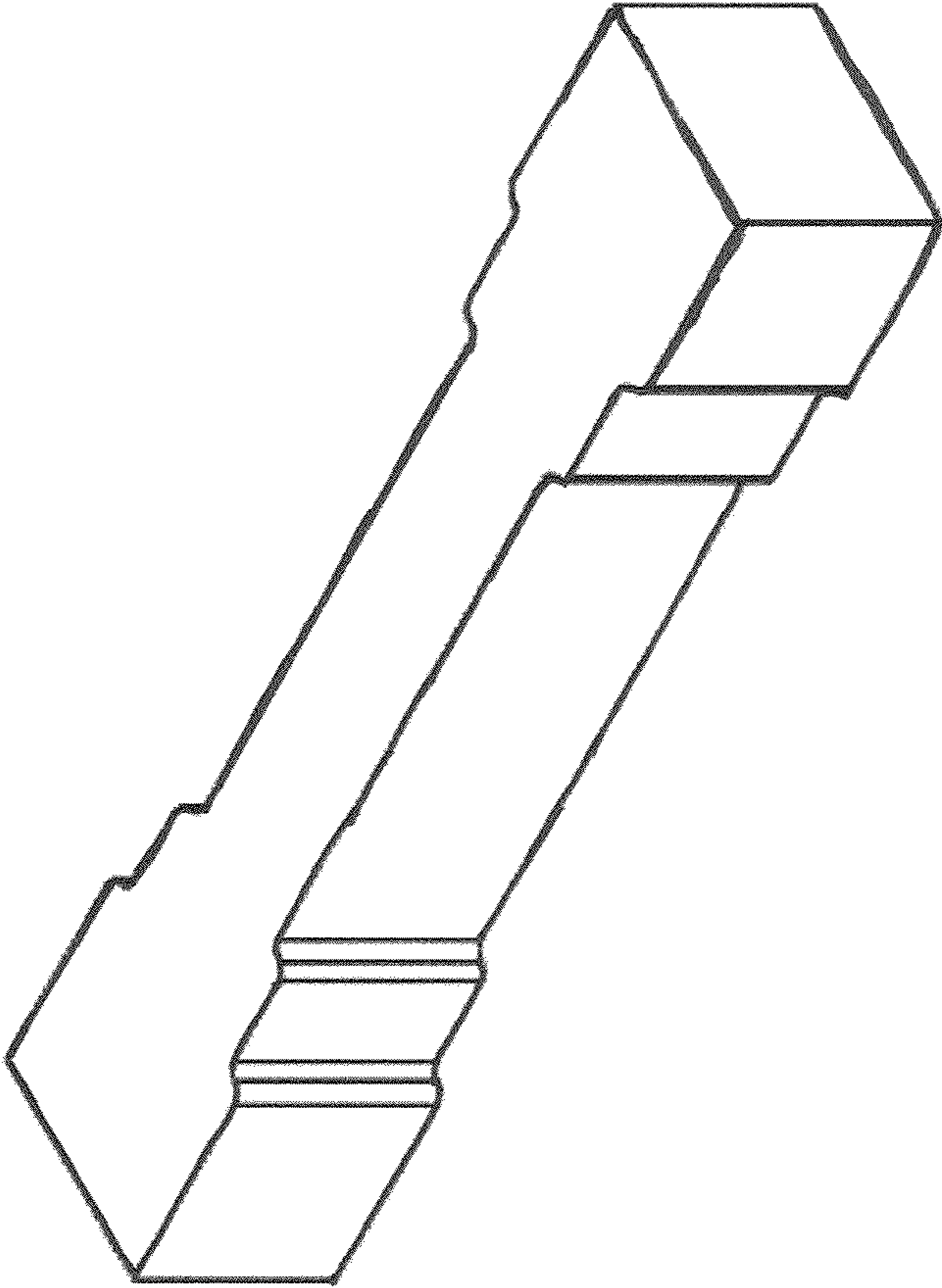


FIG. 1

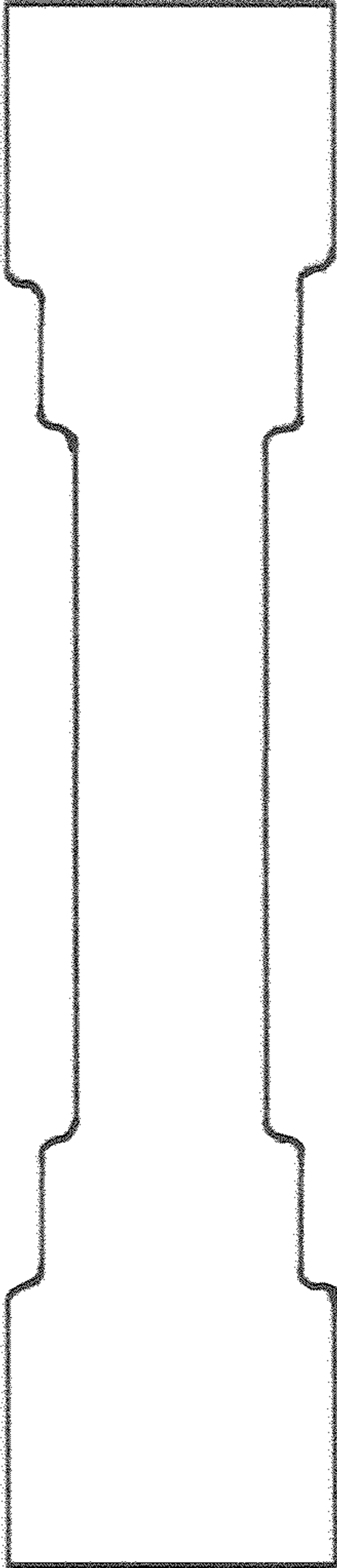


FIG. 2

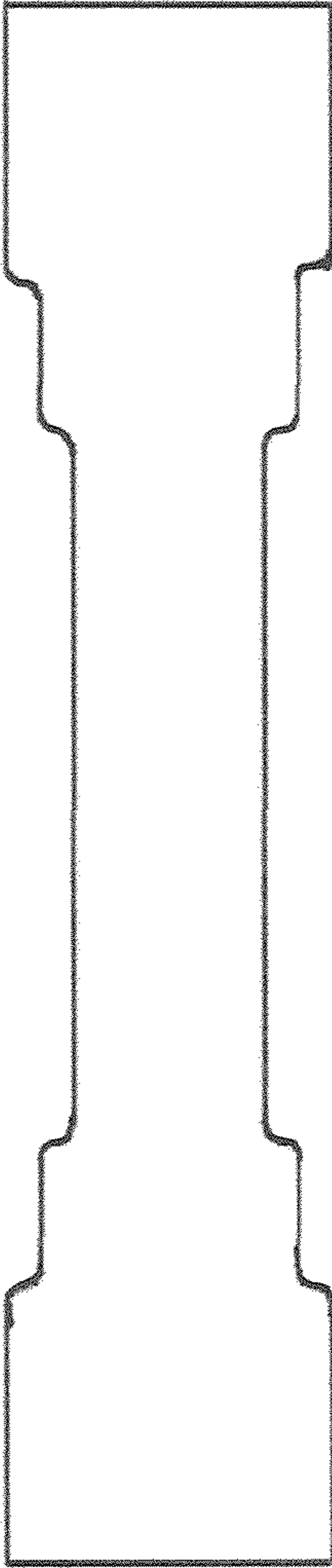


FIG. 3

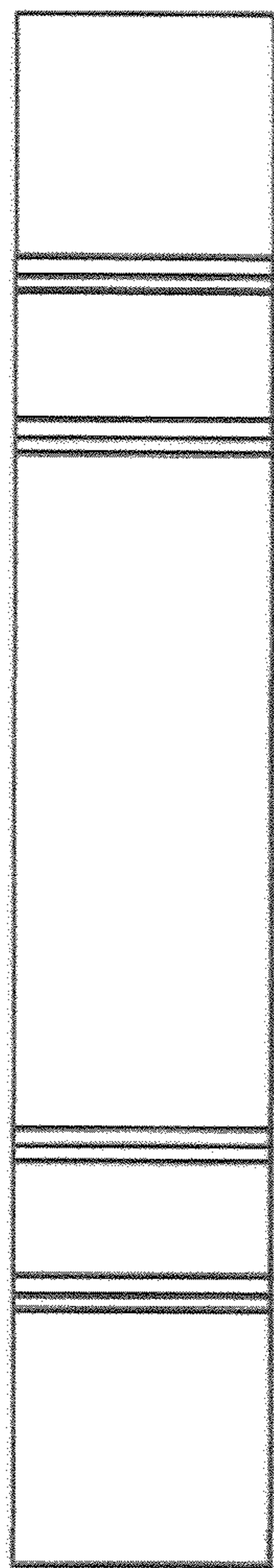


FIG. 4

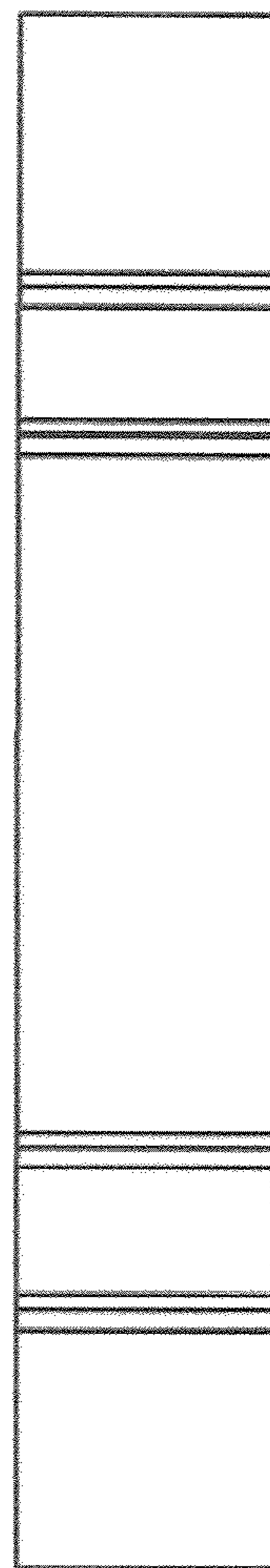


FIG. 5



FIG. 6



FIG. 7