



US00D755405S

(12) **United States Design Patent**
Zhu

(10) **Patent No.:** **US D755,405 S**
(45) **Date of Patent:** **** May 3, 2016**

- (54) **ENCLOSURE COVER FOR A DIAGNOSTIC ANALYZER**
- (71) Applicant: **Siemens Healthcare Diagnostics Inc.**,
Tarrytown, NY (US)
- (72) Inventor: **Eric Zhu**, Forest Hills, NY (US)
- (73) Assignee: **Siemens Healthcare Diagnostics Inc.**,
Tarrytown, NY (US)
- (**) Term: **14 Years**
- (21) Appl. No.: **29/518,211**
- (22) Filed: **Feb. 20, 2015**
- (51) **LOC (10) Cl.** **24-01**
- (52) **U.S. Cl.**
USPC **D24/216; D10/81**
- (58) **Field of Classification Search**
USPC D10/81; D24/216, 219, 220, 234, 233
CPC ... G01N 35/02; G01N 35/021; G01N 35/025;
G01N 35/026; G01N 35/028; G01N 35/04;
G01N 35/08; G01N 35/085; G01N 2035/023;
G01N 2035/0401; G01N 2035/0403; G01N
2035/0405; G01N 2035/0406; G01N
2035/0408; G01N 2035/041
See application file for complete search history.

(56) **References Cited**

U.S. PATENT DOCUMENTS

- 4,803,050 A * 2/1989 Mack G01N 33/54366
422/561
- D347,396 S * 5/1994 Ohnuma D10/81
- D378,782 S * 4/1997 LaBarbera D10/81
- D381,756 S * 7/1997 Ohnuma D24/231
- 5,855,847 A * 1/1999 Oonuma G01N 35/02
422/63
- 5,885,529 A * 3/1999 Babson B01L 3/50853
134/150

- 6,285,452 B1 * 9/2001 Baker G01J 3/50
250/226
- 6,444,170 B1 * 9/2002 Heid G01N 1/312
118/423
- 6,951,545 B2 * 10/2005 Smith A61B 10/0051
600/573
- 7,118,659 B2 * 10/2006 Kurt G01N 27/44743
204/451
- D662,431 S * 6/2012 Kimura D10/81
- D676,976 S * 2/2013 Walsh D24/216
- D707,844 S * 6/2014 Hilbey D24/216
- 8,932,543 B2 * 1/2015 Bui B01L 3/502715
422/509
- D724,753 S * 3/2015 Gutmann D24/216
- 9,000,360 B2 * 4/2015 DeWitte G01N 30/06
250/281
- 9,050,598 B2 * 6/2015 Tsukioka B01L 9/543
- D740,955 S * 10/2015 Gutmann D24/216
- D744,880 S * 12/2015 Smith D10/81
- D747,227 S * 1/2016 Fujiwara D10/81

* cited by examiner

Primary Examiner — Antoine D Davis

(74) *Attorney, Agent, or Firm* — Virtual Ink, Ltd.

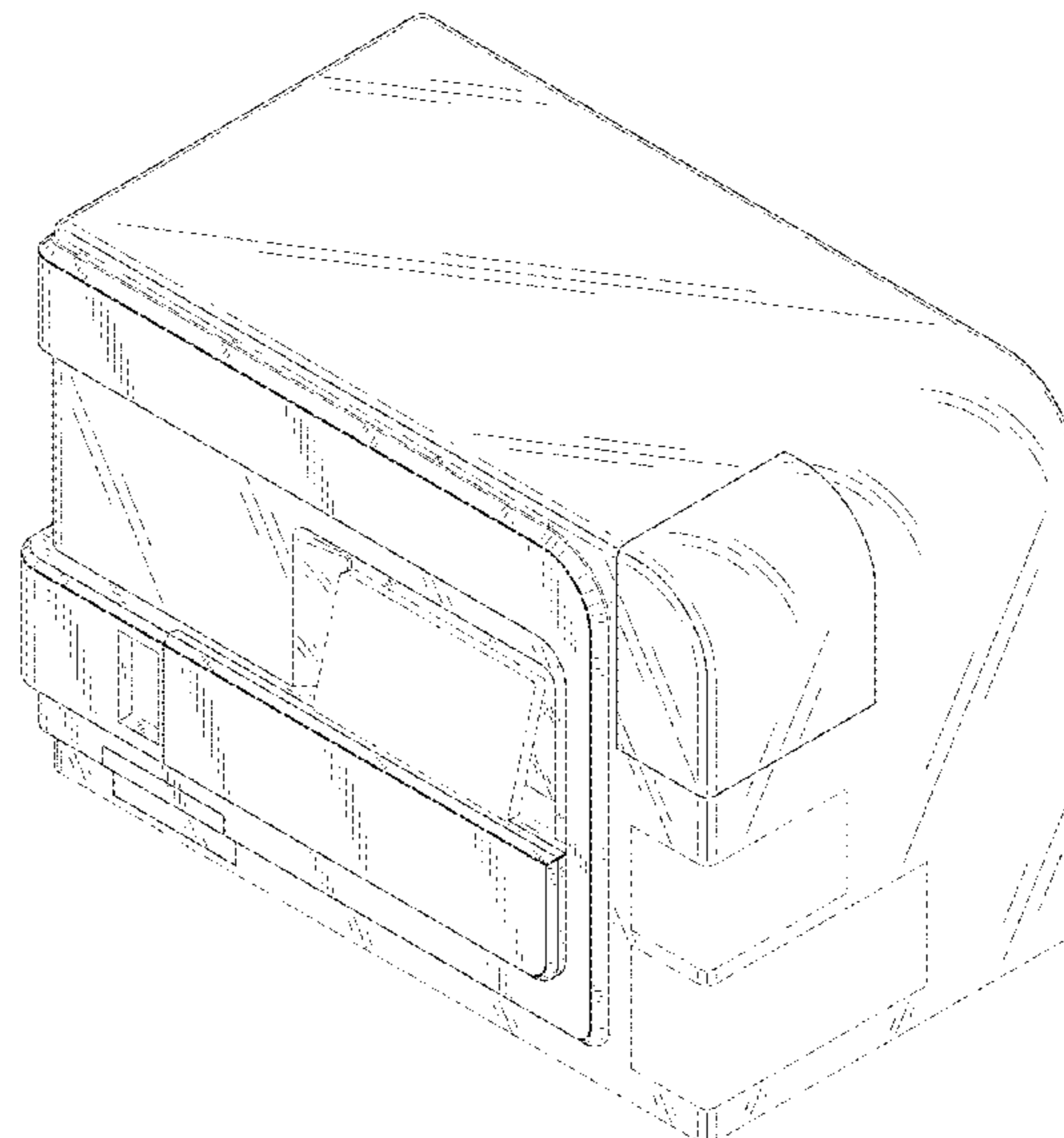
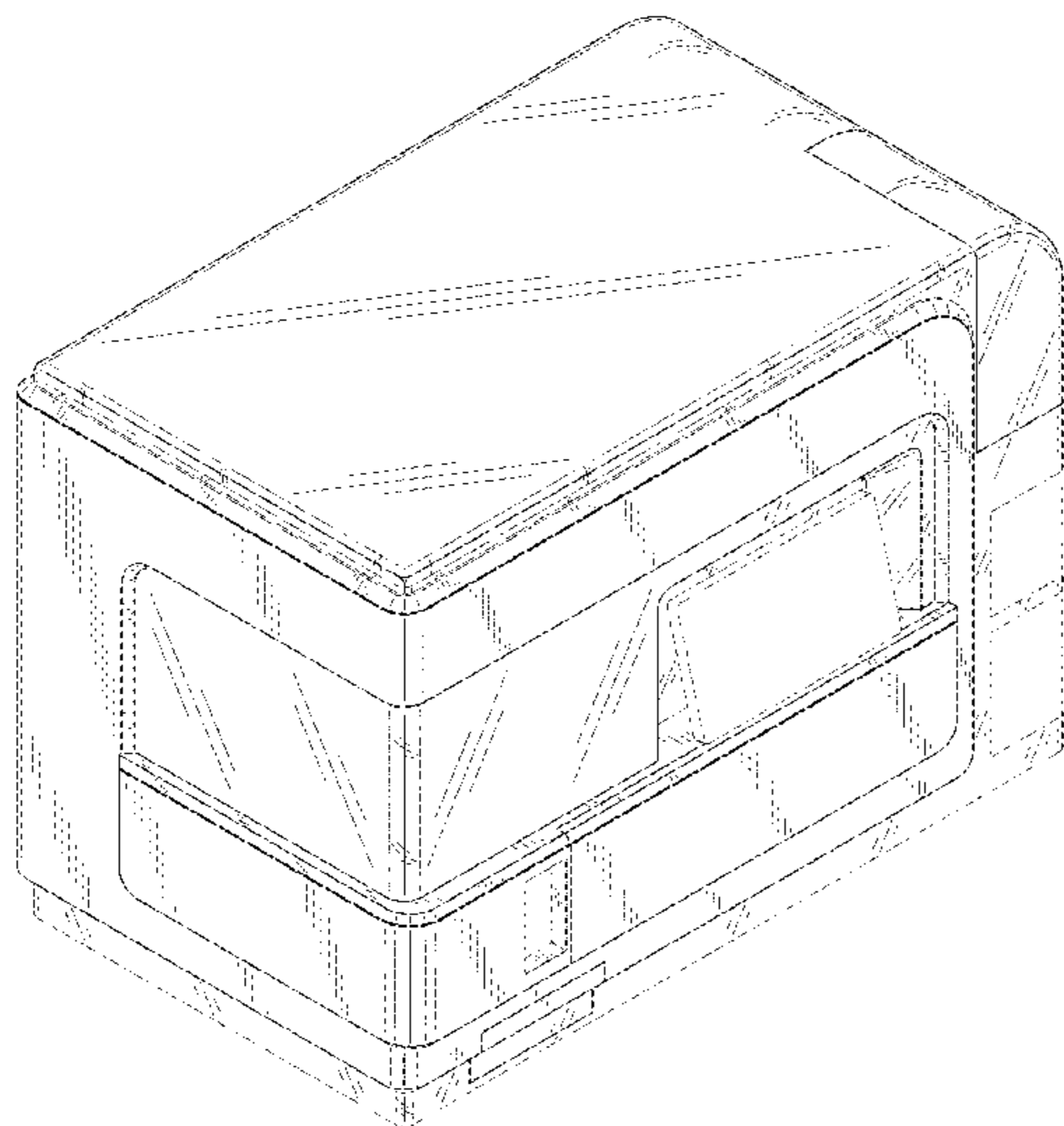
(57) **CLAIM**

The ornamental design for an enclosure cover for a diagnostic analyzer, as shown and described.

DESCRIPTION

FIG. 1 is a left front top perspective view of an embodiment of an enclosure cover for a diagnostic analyzer showing my new design and showing unclaimed structure in broken lines; FIG. 2 is a right front top perspective view thereof; FIG. 3 is a front elevation view thereof; FIG. 4 is a rear elevation view thereof; FIG. 5 is a left elevation view thereof; FIG. 6 is a right elevation view thereof; FIG. 7 is a top plan view thereof; and, FIG. 8 is a bottom plan view thereof. Broken lines are shown for illustrative purposes only.

1 Claim, 5 Drawing Sheets



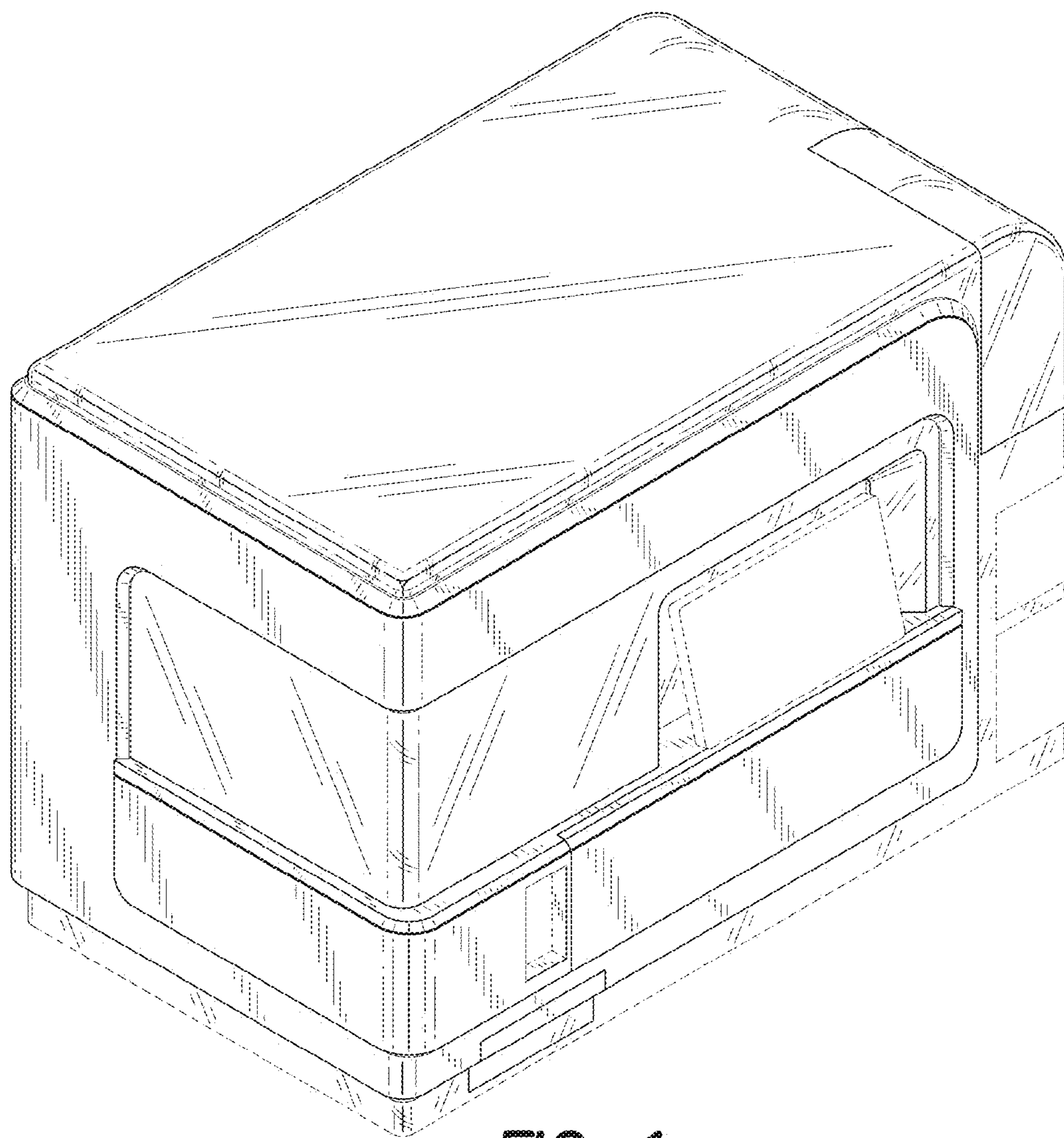


FIG. 1

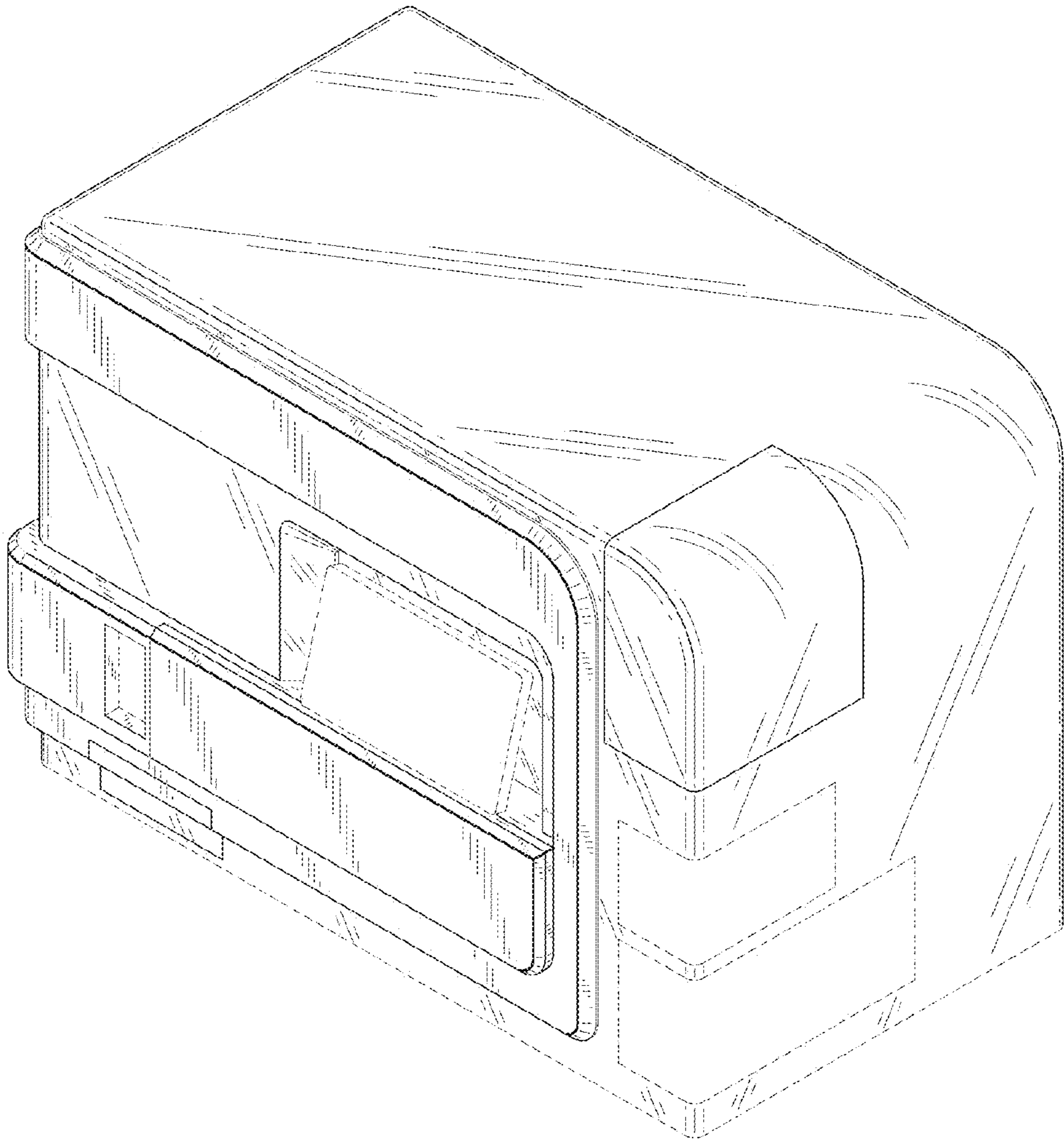


FIG. 2

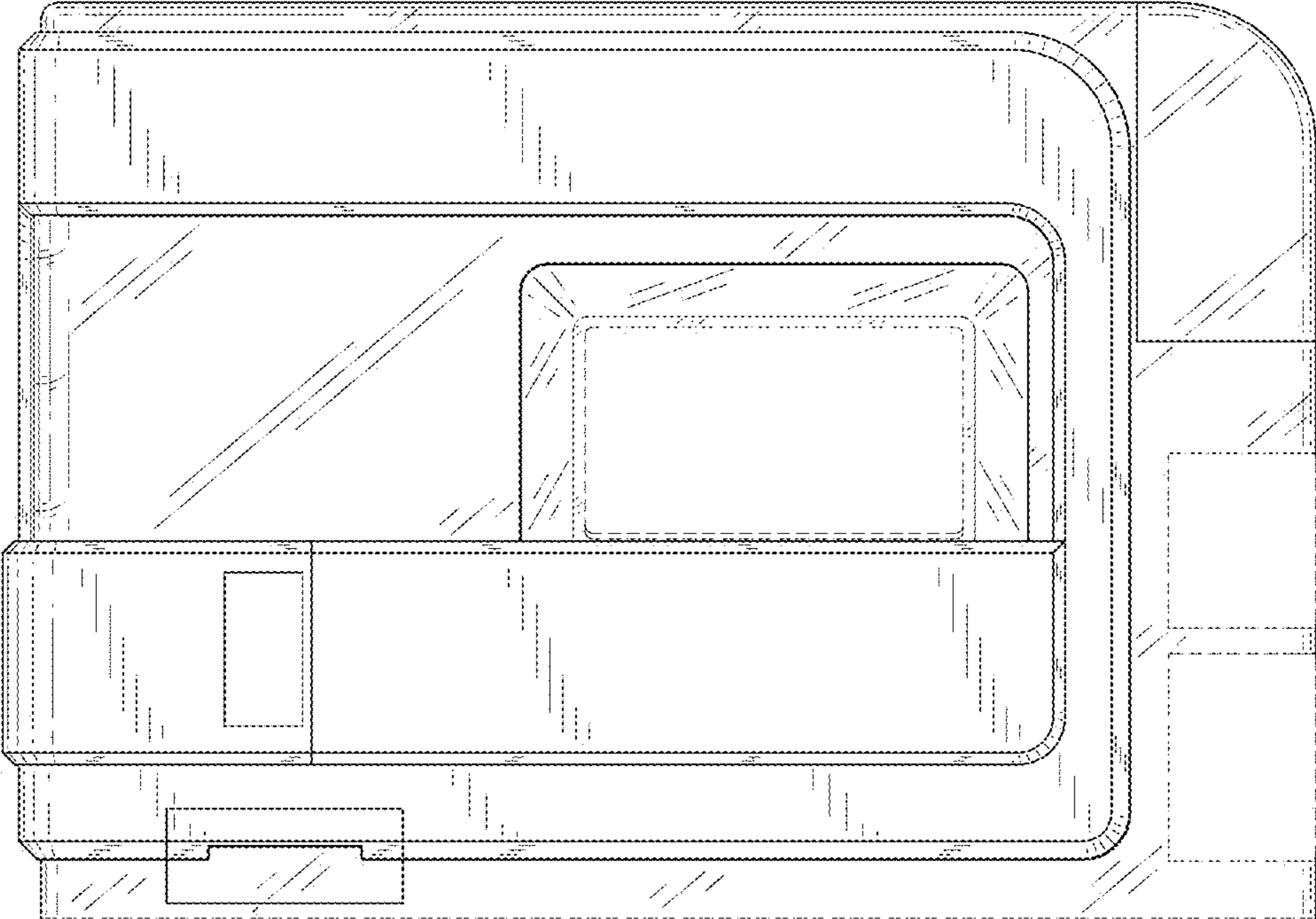


FIG. 3

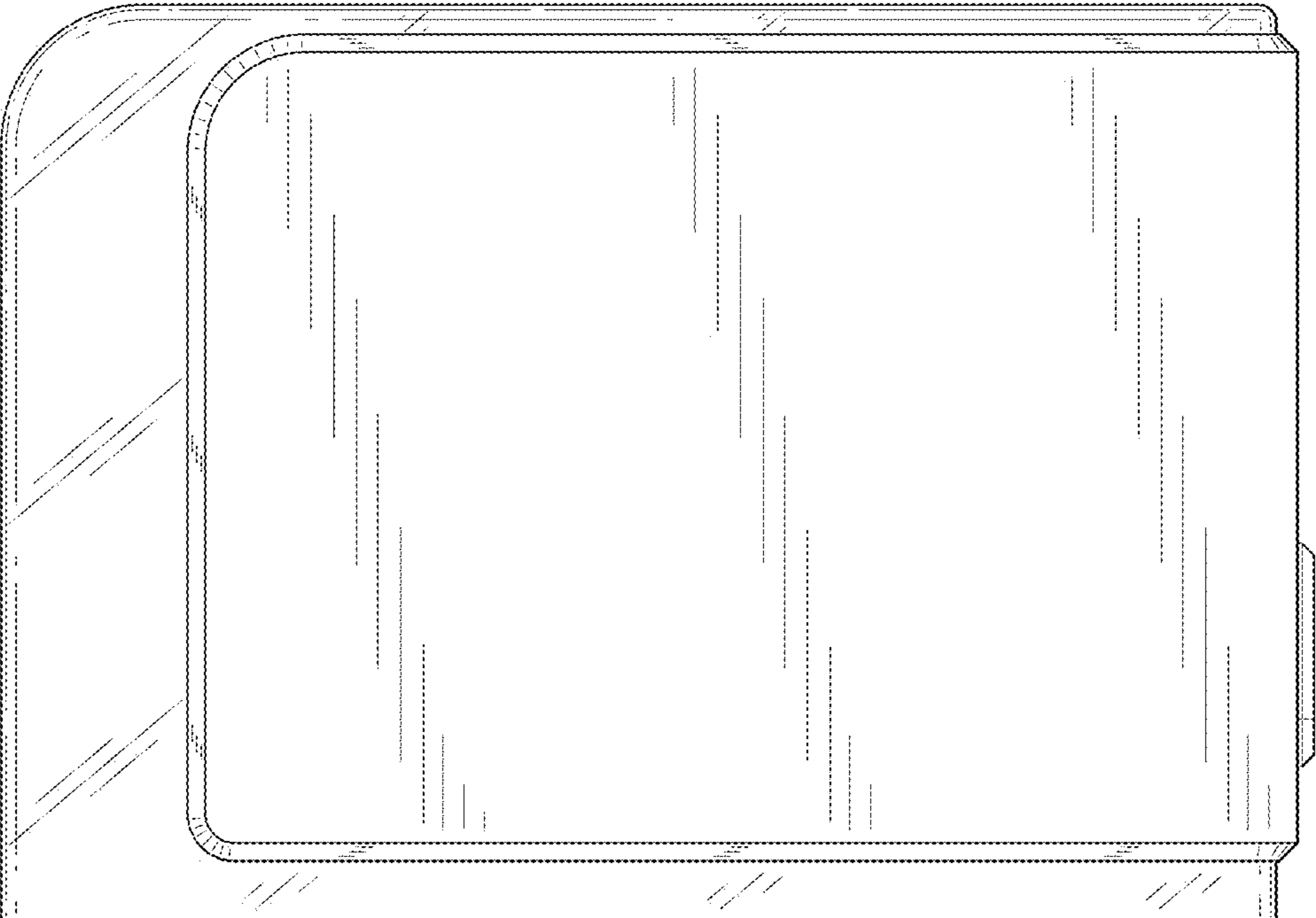


FIG. 4

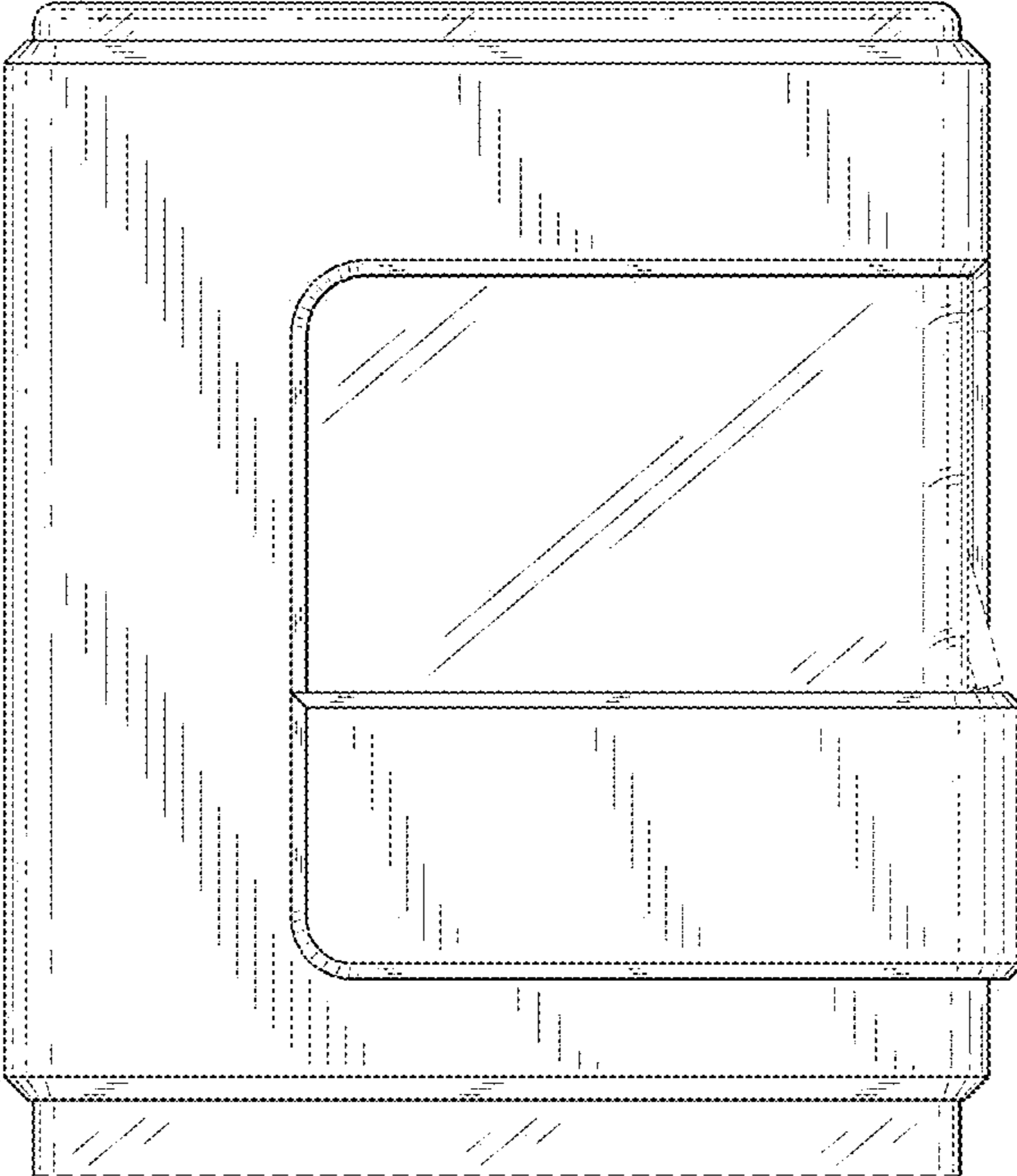


FIG. 5

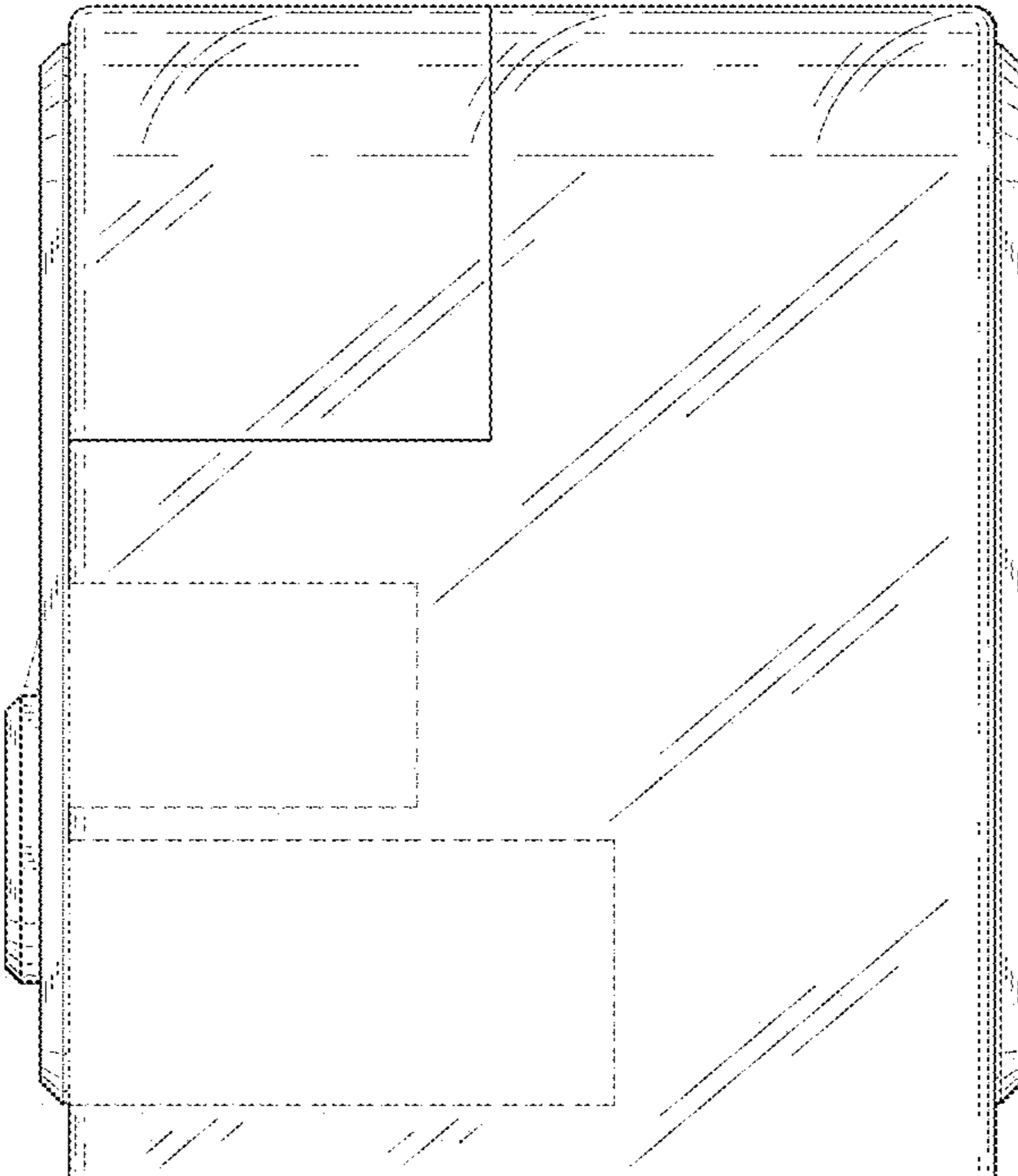


FIG. 6

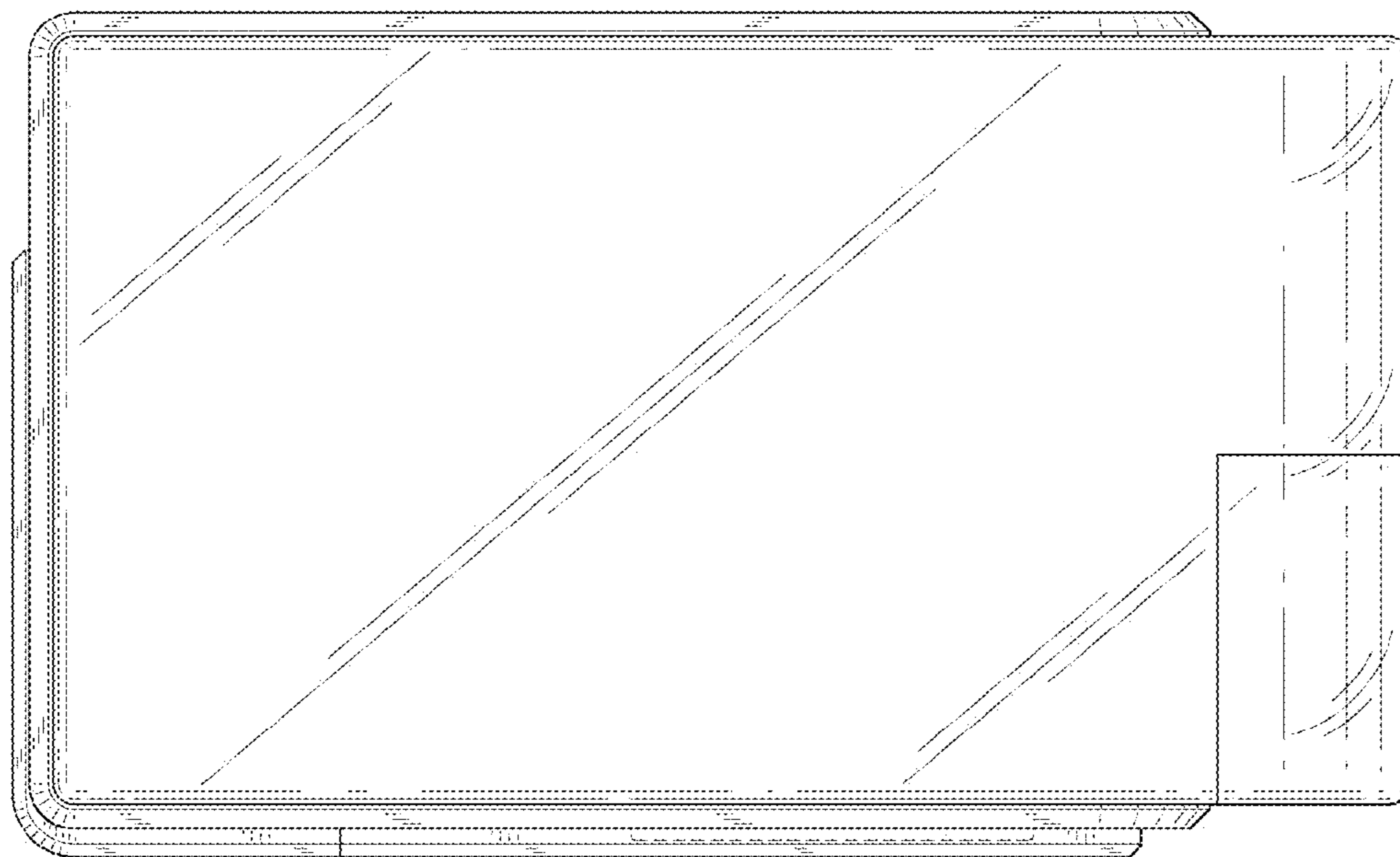


FIG. 7

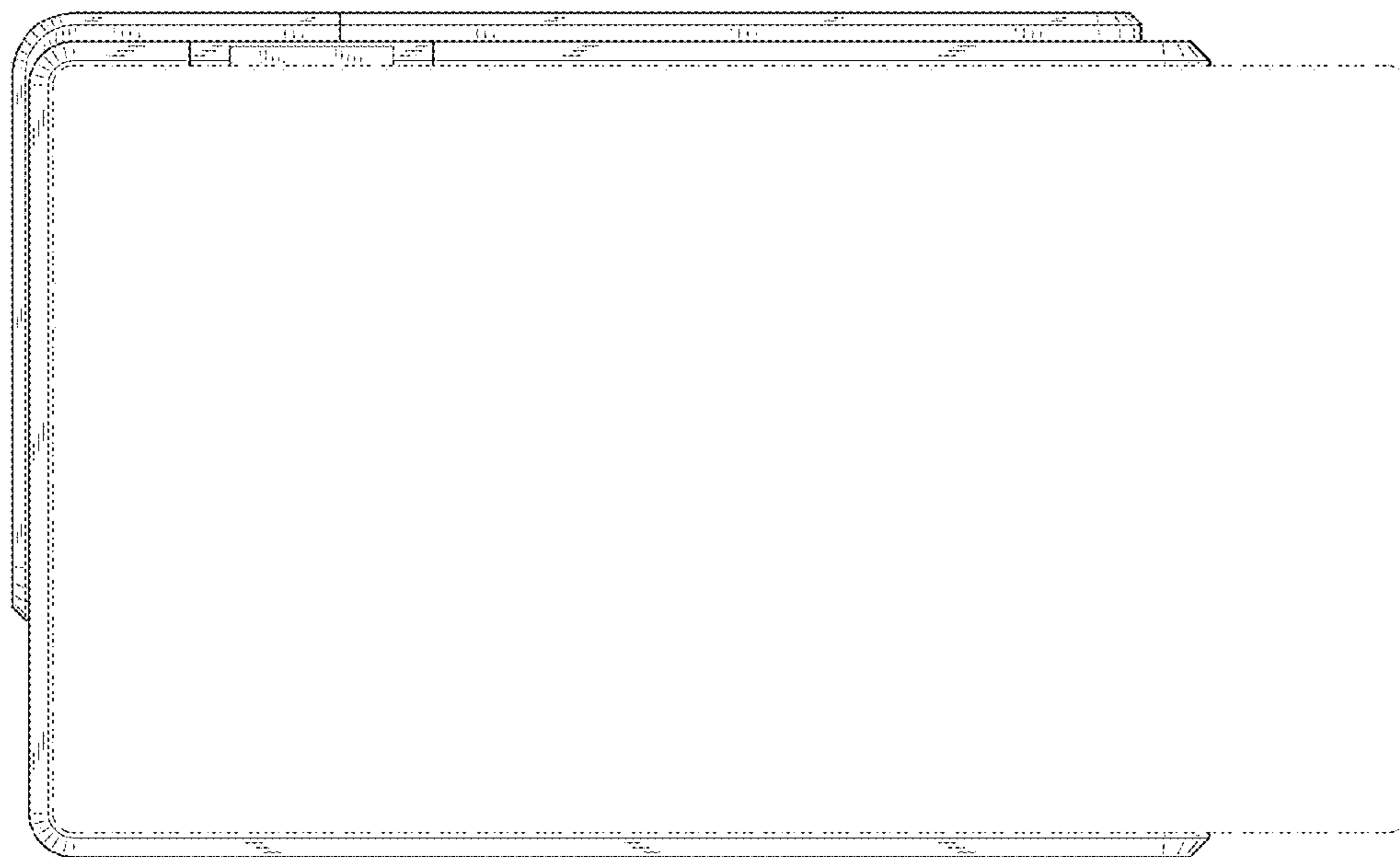


FIG. 8