



US00D755403S

(12) **United States Design Patent**  
**Larsen et al.**

(10) **Patent No.:** **US D755,403 S**

(45) **Date of Patent:** **\*\* May 3, 2016**

(54) **SPA SHELL**

(71) Applicant: **WATKINS MANUFACTURING CORPORATION**, Vista, CA (US)

(72) Inventors: **Christopher Carl Larsen**, Vista, CA (US); **Sage Nathan Baker**, Cardiff by the Sea, CA (US)

(73) Assignee: **Watkins Manufacturing Corporation**, Vista, CA (US)

(\*\*) Term: **14 Years**

(21) Appl. No.: **29/514,585**

(22) Filed: **Jan. 14, 2015**

(51) **LOC (10) Cl.** ..... **23-02**

(52) **U.S. Cl.**  
USPC ..... **D24/204**

(58) **Field of Classification Search**  
USPC ..... D24/201, 204, 205; D23/276–278, D23/280.1–280.3; D25/2; 4/488, 4/541.1–541.6, 546–547, 578.1, 579, 4/589, 904; 601/154–158  
CPC ... A61H 33/00; A61H 33/0087; A61H 33/02; A61H 33/60; A61H 33/6063; A61H 33/021; A61H 33/022; A61H 33/027; A61H 33/0091; A47K 3/02; A47K 3/122; A47K 3/06; E04H 2004/0068; E04H 4/0037  
See application file for complete search history.

(56) **References Cited**

**U.S. PATENT DOCUMENTS**

D517,697 S \* 3/2006 Larsen ..... D24/204  
D519,213 S \* 4/2006 Loyd ..... D24/204

D521,154 S \* 5/2006 Loyd ..... D24/204  
D531,729 S \* 11/2006 Larsen ..... D24/201  
D620,600 S \* 7/2010 Larsen ..... D24/204  
D628,302 S \* 11/2010 Larsen ..... D24/204  
D649,256 S \* 11/2011 Larsen ..... D24/204  
D683,039 S \* 5/2013 Larsen ..... D24/204  
D722,701 S \* 2/2015 Larsen ..... D24/204  
D722,702 S \* 2/2015 Larsen ..... D24/204

\* cited by examiner

*Primary Examiner* — Catheri Oliver-Garcia

*Assistant Examiner* — Rebekah Caruso

(74) *Attorney, Agent, or Firm* — Kirk W. Rudolph

(57) **CLAIM**

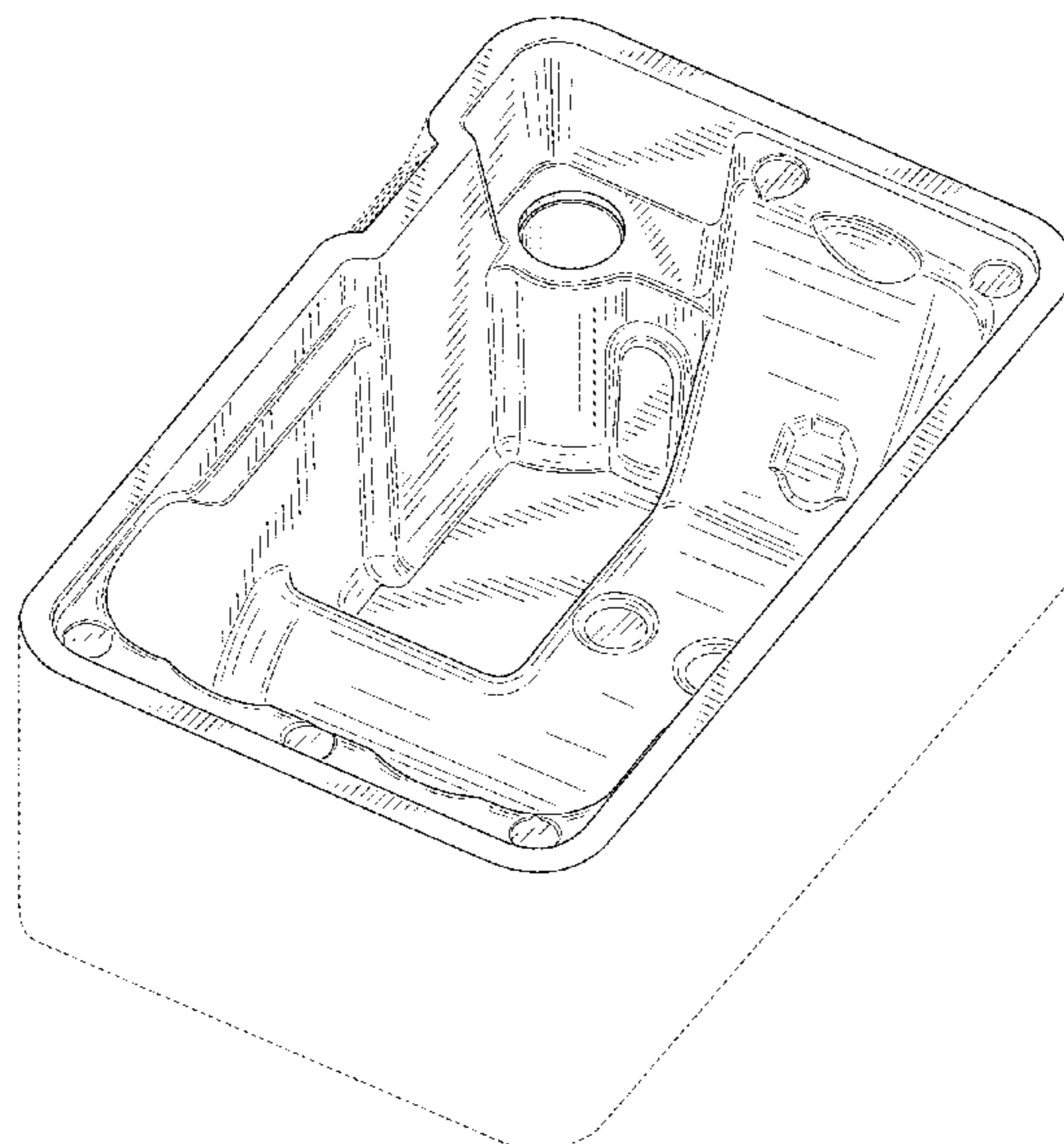
The ornamental design for a spa shell, as shown and described.

**DESCRIPTION**

FIG. 1 is a perspective view of a spa shell showing our design; FIG. 2 is a second perspective view thereof; FIG. 3 is a top plan view thereof; FIG. 4 is a cross-sectional view thereof, taken along line 4-4 of FIG. 3; FIG. 5 is a cross-sectional view thereof, taken along line 5-5 of FIG. 3; FIG. 6 is a cross-sectional view thereof, taken along line 6-6 of FIG. 3; FIG. 7 is a cross-sectional view thereof, taken along line 7-7 of FIG. 3; and, FIG. 8 is a cross-sectional view thereof, taken along line 8-8 of FIG. 3.

The broken lines in the drawings represent unclaimed portions of the spa shell and form no part of the claimed design.

**1 Claim, 6 Drawing Sheets**



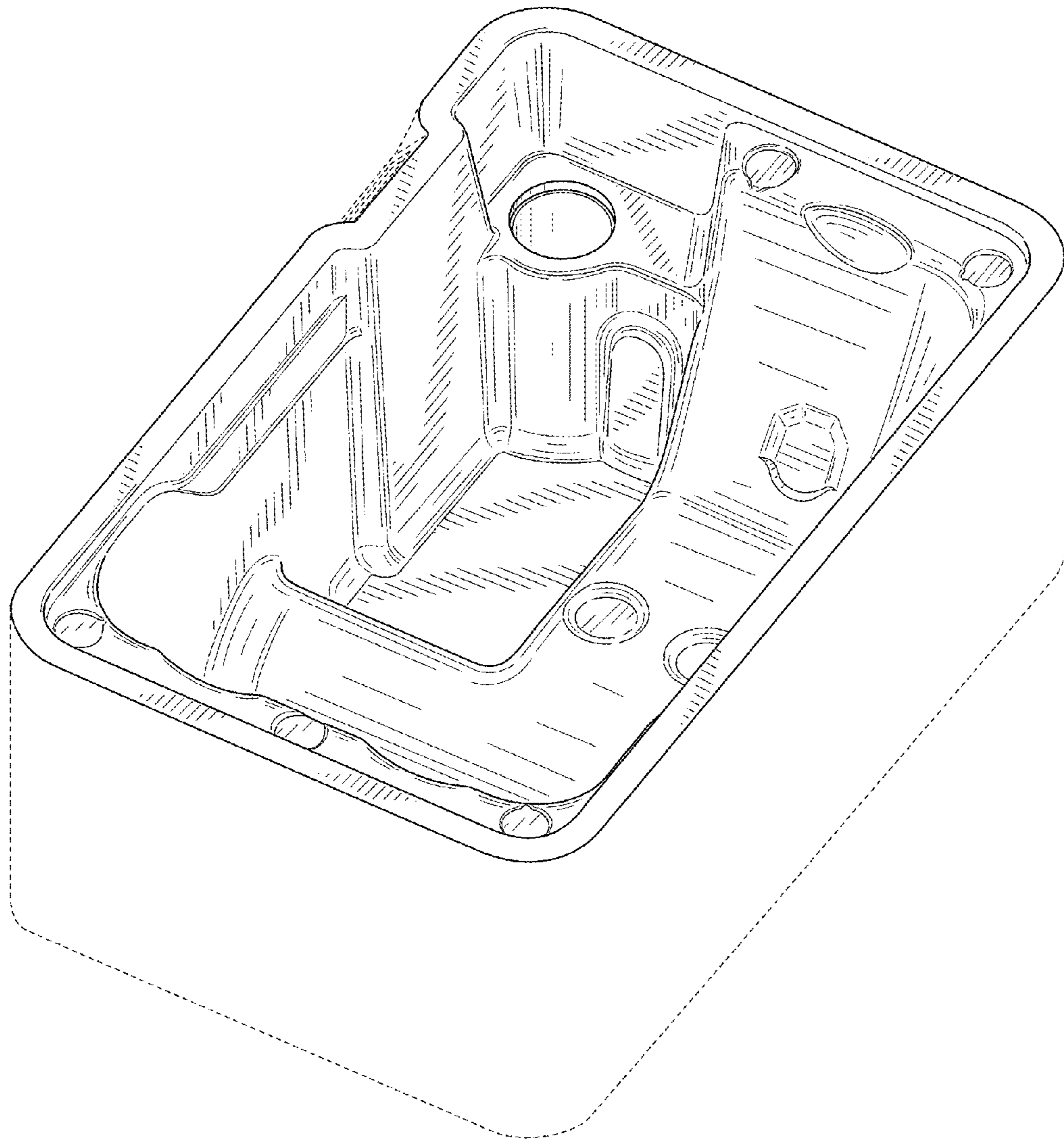


FIG. 1

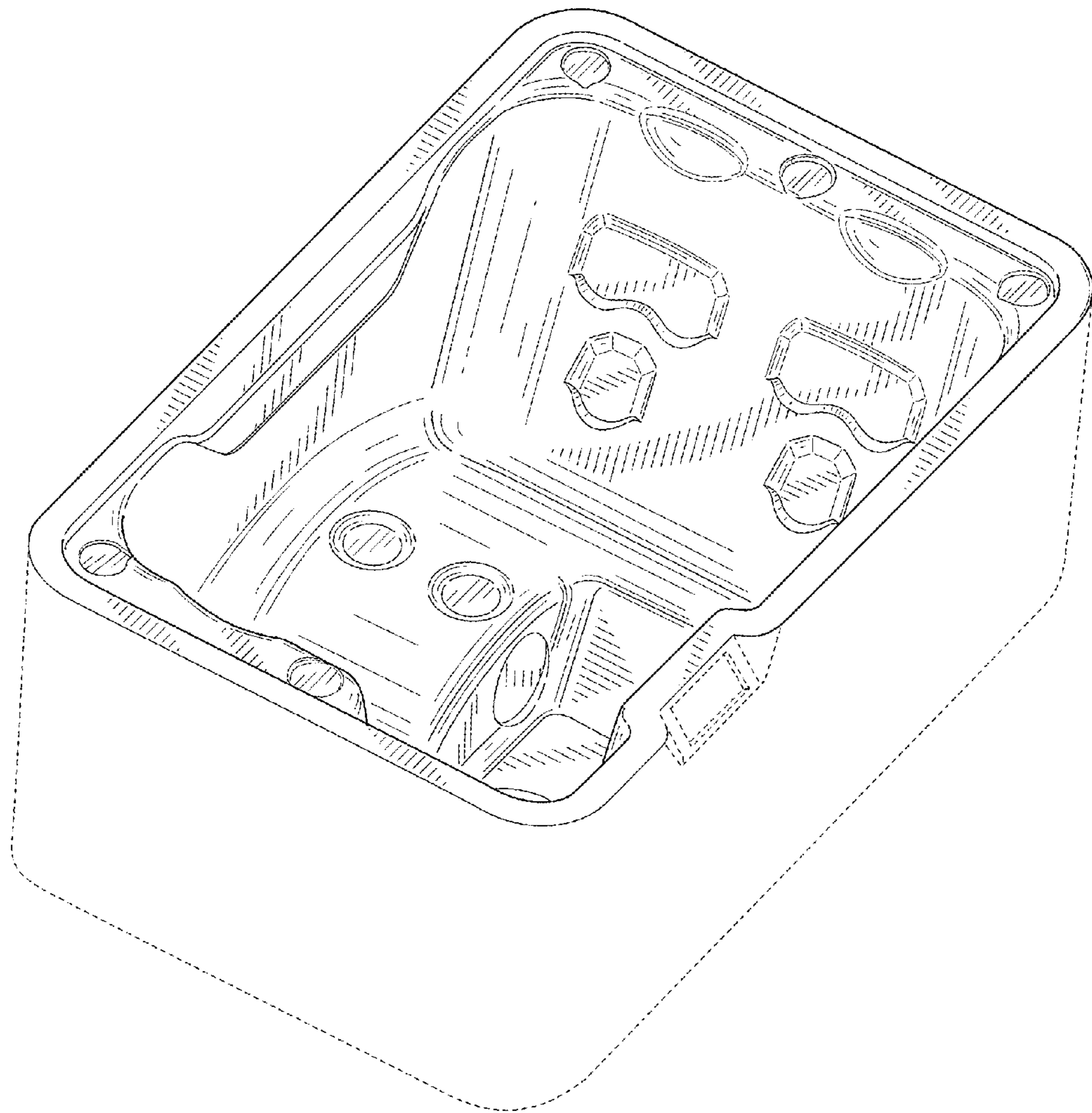


FIG. 2

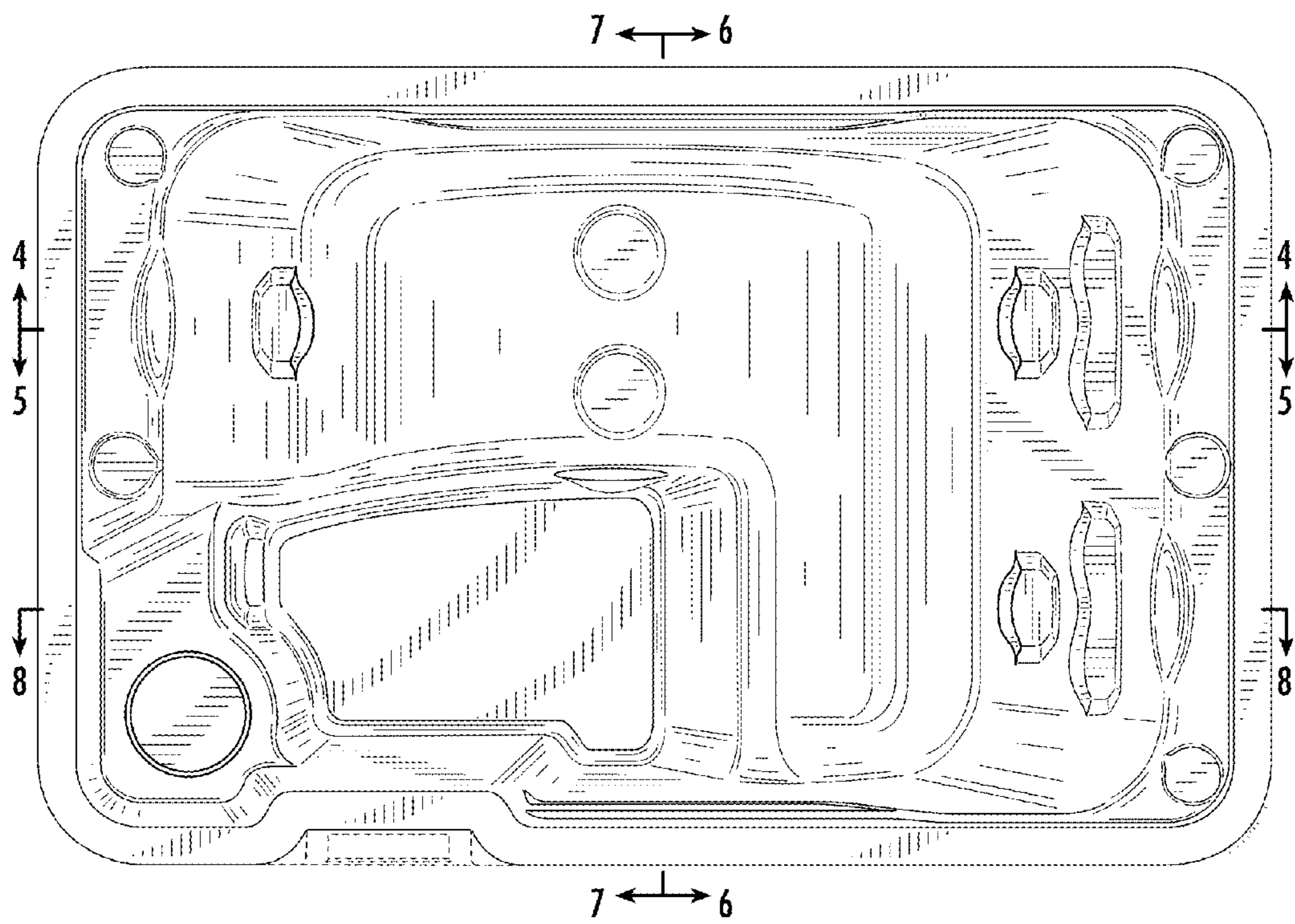


FIG. 3

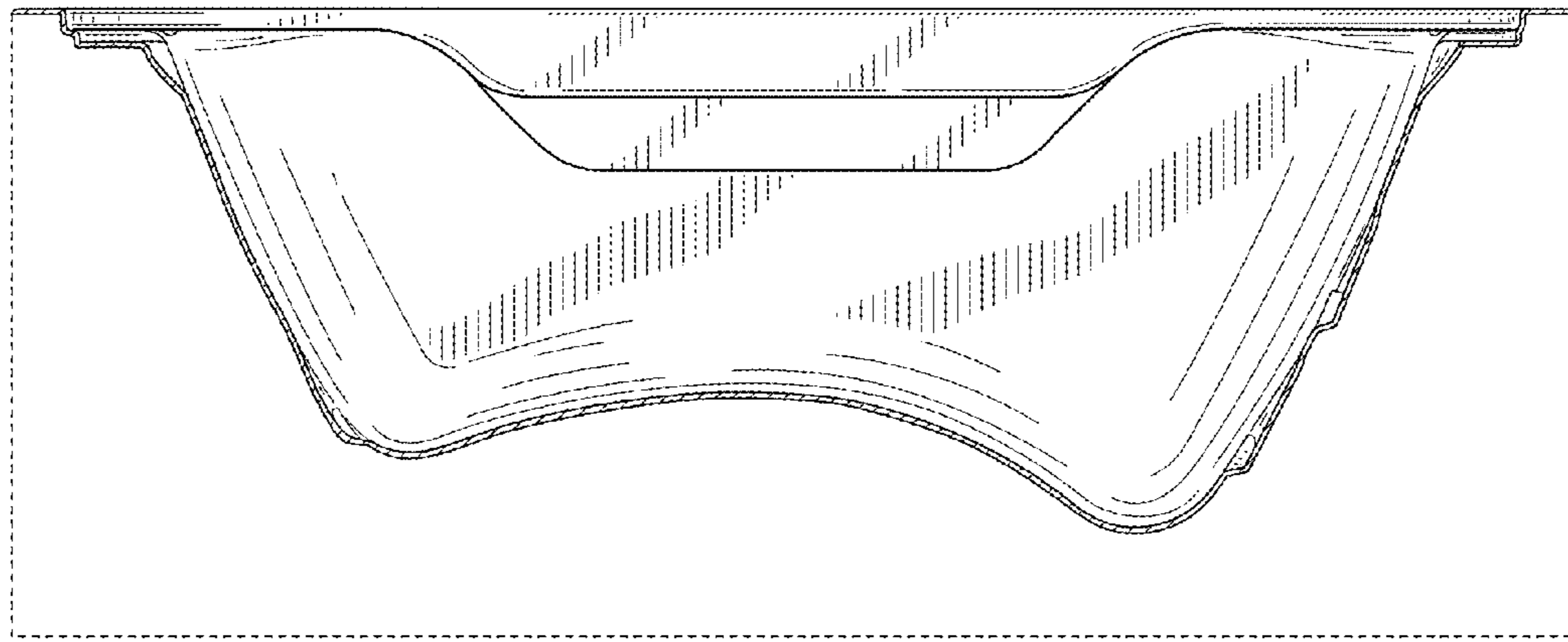


FIG. 4

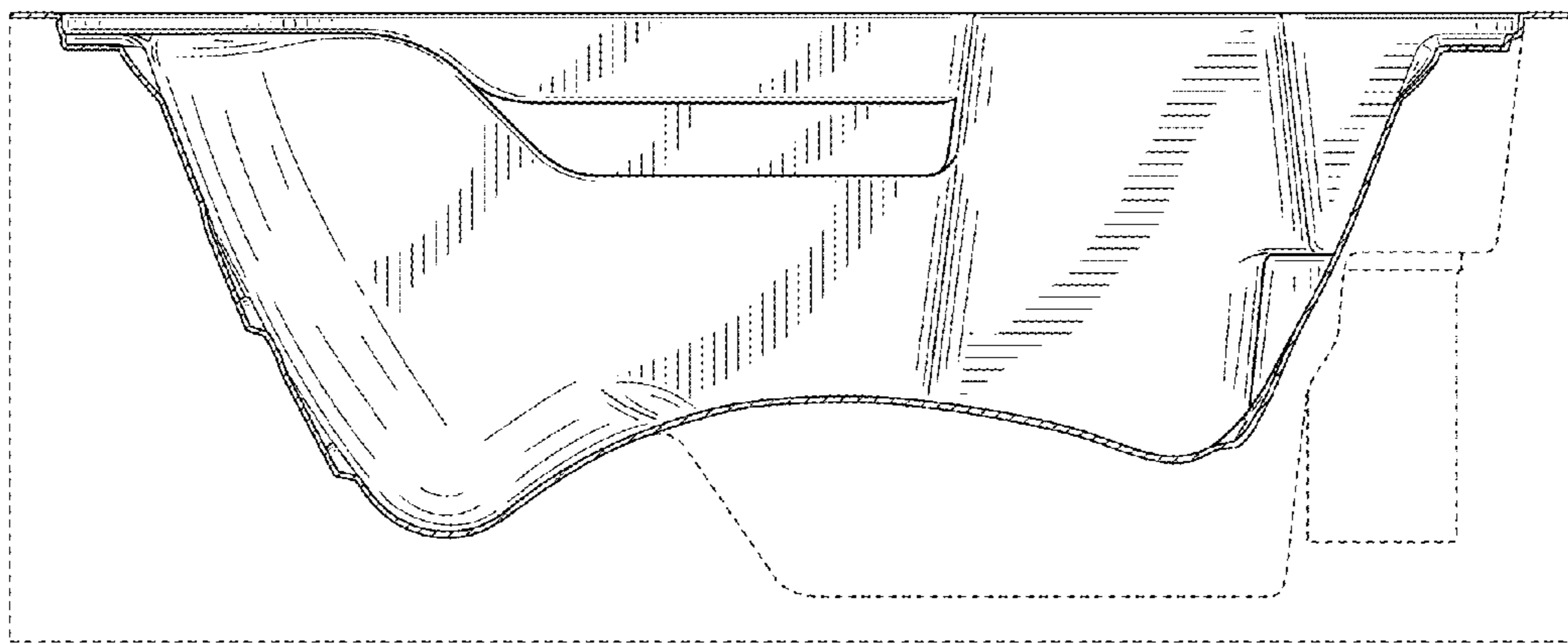
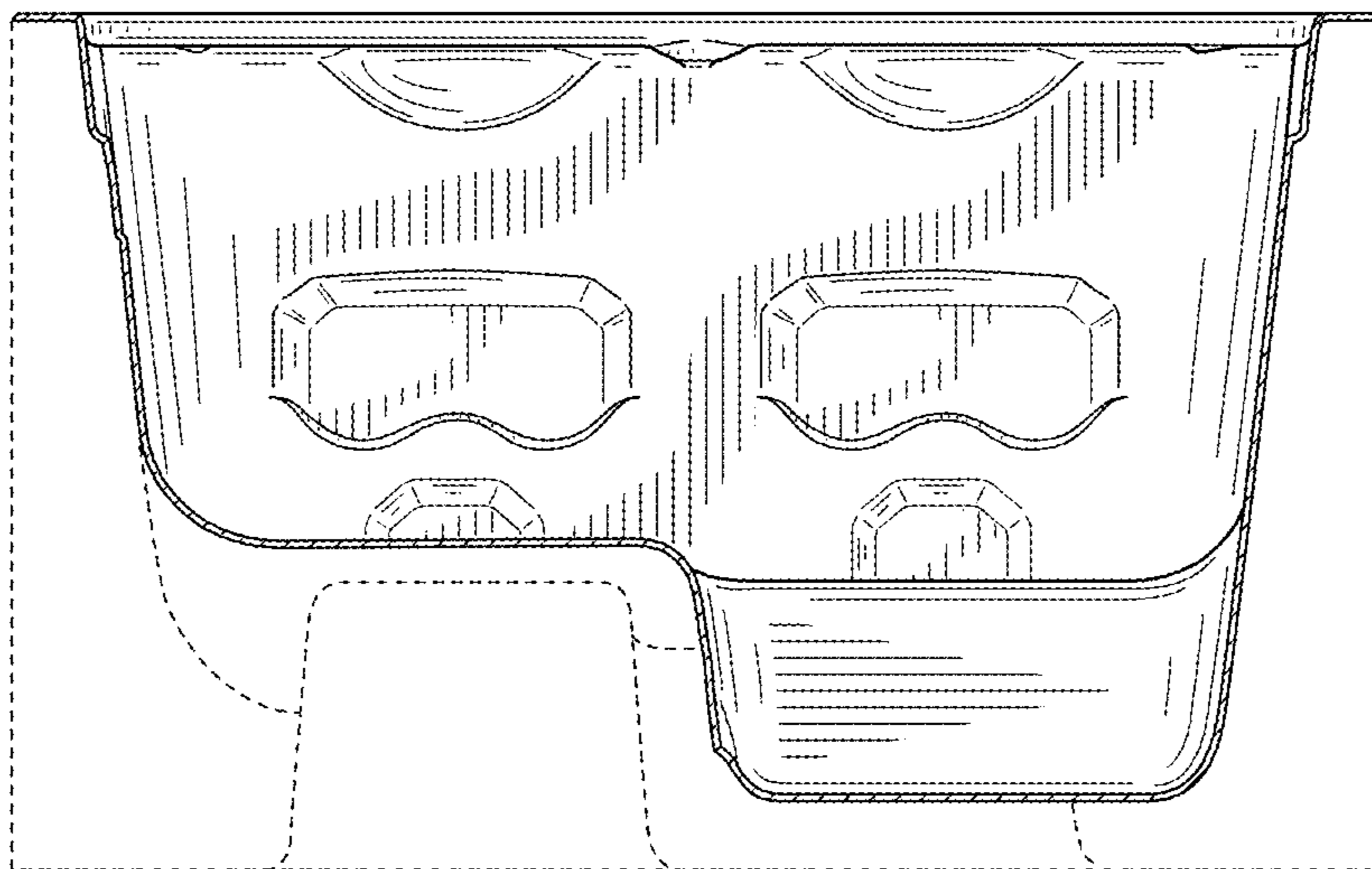
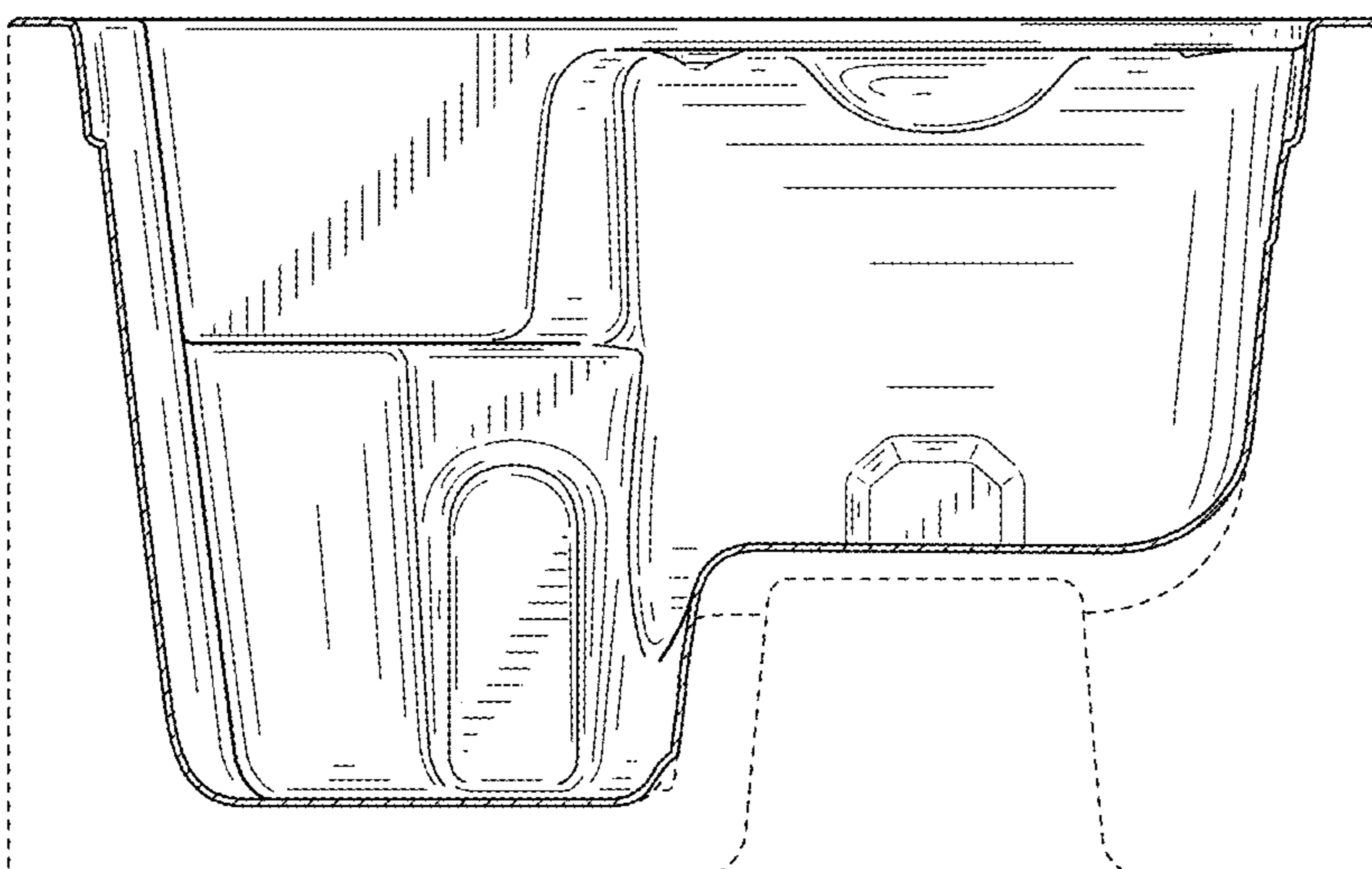


FIG. 5



**FIG. 6**



**FIG. 7**

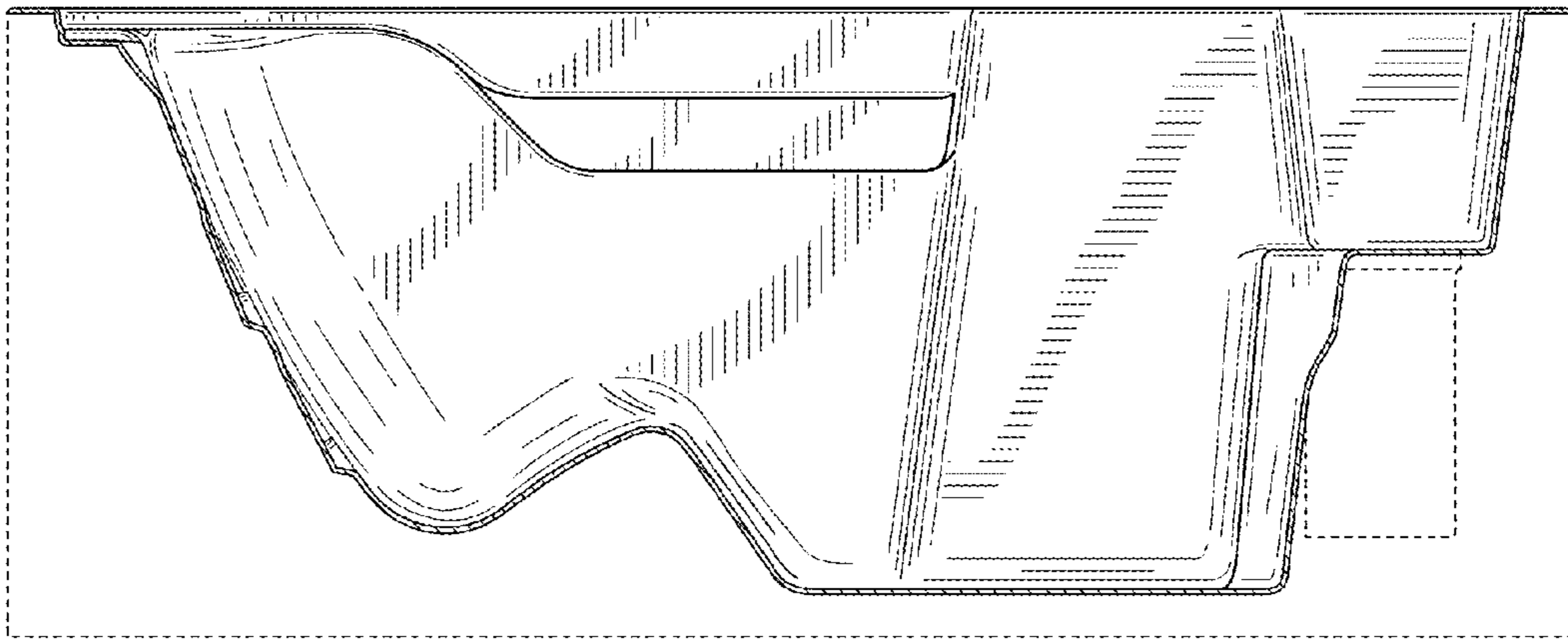


FIG. 8