



US00D755402S

(12) **United States Design Patent**
Larsen et al.

(10) **Patent No.:** **US D755,402 S**
(45) **Date of Patent:** **** May 3, 2016**

- (54) **SPA SHELL**
- (71) Applicant: **WATKINS MANUFACTURING CORPORATION**, Vista, CA (US)
- (72) Inventors: **Christopher Carl Larsen**, Vista, CA (US); **Sage Nathan Baker**, Cardiff By The Sea, CA (US)
- (73) Assignee: **Watkins Manufacturing Corporation**, Vista, CA (US)
- (**) Term: **14 Years**
- (21) Appl. No.: **29/514,568**
- (22) Filed: **Jan. 14, 2015**
- (51) **LOC (10) Cl.** **23-02**
- (52) **U.S. Cl.**
USPC **D24/204**
- (58) **Field of Classification Search**
USPC D24/201, 204, 205; D23/276-278, D23/280.1-280.3; D25/2; 4/488, 4/541.1-541.6, 546-547, 578.1, 579, 4/589, 904; 601/154-158
CPC ... A61H 33/00; A61H 33/0087; A61H 33/02; A61H 33/60; A61H 33/6063; A61H 33/021; A61H 33/022; A61H 33/027; A61H 33/0091; A47K 3/02; A47K 3/122; A47K 3/06; E04H 2004/0068; E04H 4/0037
See application file for complete search history.

D513,325 S *	12/2005	Loyd	D24/201
D514,704 S *	2/2006	Loyd	D24/201
D517,697 S *	3/2006	Larsen	D24/204
D620,600 S *	7/2010	Larsen	D24/204
D621,947 S *	8/2010	Larsen	D24/204
D634,020 S *	3/2011	Larsen	D24/204
D685,104 S *	6/2013	Larsen	D24/204
D687,557 S *	8/2013	Larsen	D24/204
D722,701 S *	2/2015	Larsen	D24/204

* cited by examiner

Primary Examiner — Catheri Oliver-Garcia

Assistant Examiner — Rebekah Caruso

(74) *Attorney, Agent, or Firm* — Kirk W. Rudolph

(57) **CLAIM**

The ornamental design for a spa shell, as shown and described.

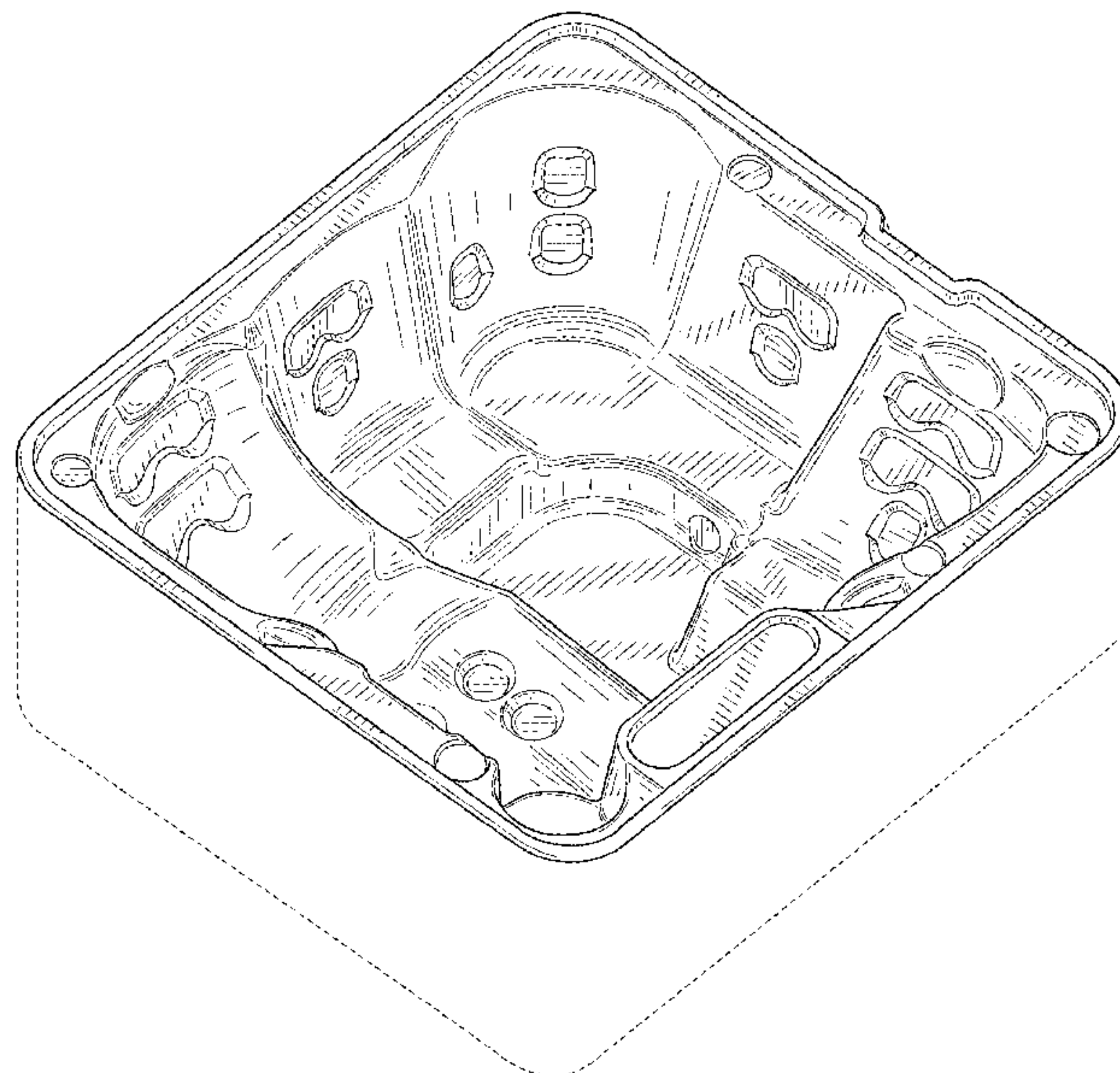
DESCRIPTION

FIG. 1 is a perspective view of a spa shell showing our design; FIG. 2 is a second perspective view thereof; FIG. 3 is a top plan view thereof; FIG. 4 is a cross-sectional view thereof, taken along line 4-4 of FIG. 3; FIG. 5 is a cross-sectional view thereof, taken along line 5-5 of FIG. 3; FIG. 6 is a cross-sectional view thereof, taken along line 6-6 of FIG. 3; FIG. 7 is a cross-sectional view thereof, taken along line 7-7 of FIG. 3; and, FIG. 8 is a cross-sectional view thereof, taken along line 8-8 of FIG. 3.

The broken lines in the drawings represent unclaimed portions of the spa shell and form no part of the claimed design.

1 Claim, 6 Drawing Sheets

- (56) **References Cited**
U.S. PATENT DOCUMENTS
4,860,392 A * 8/1989 Gardenier A61H 33/027
4/492
D405,181 S * 2/1999 Larsen D24/204
D405,185 S * 2/1999 Larsen D24/204



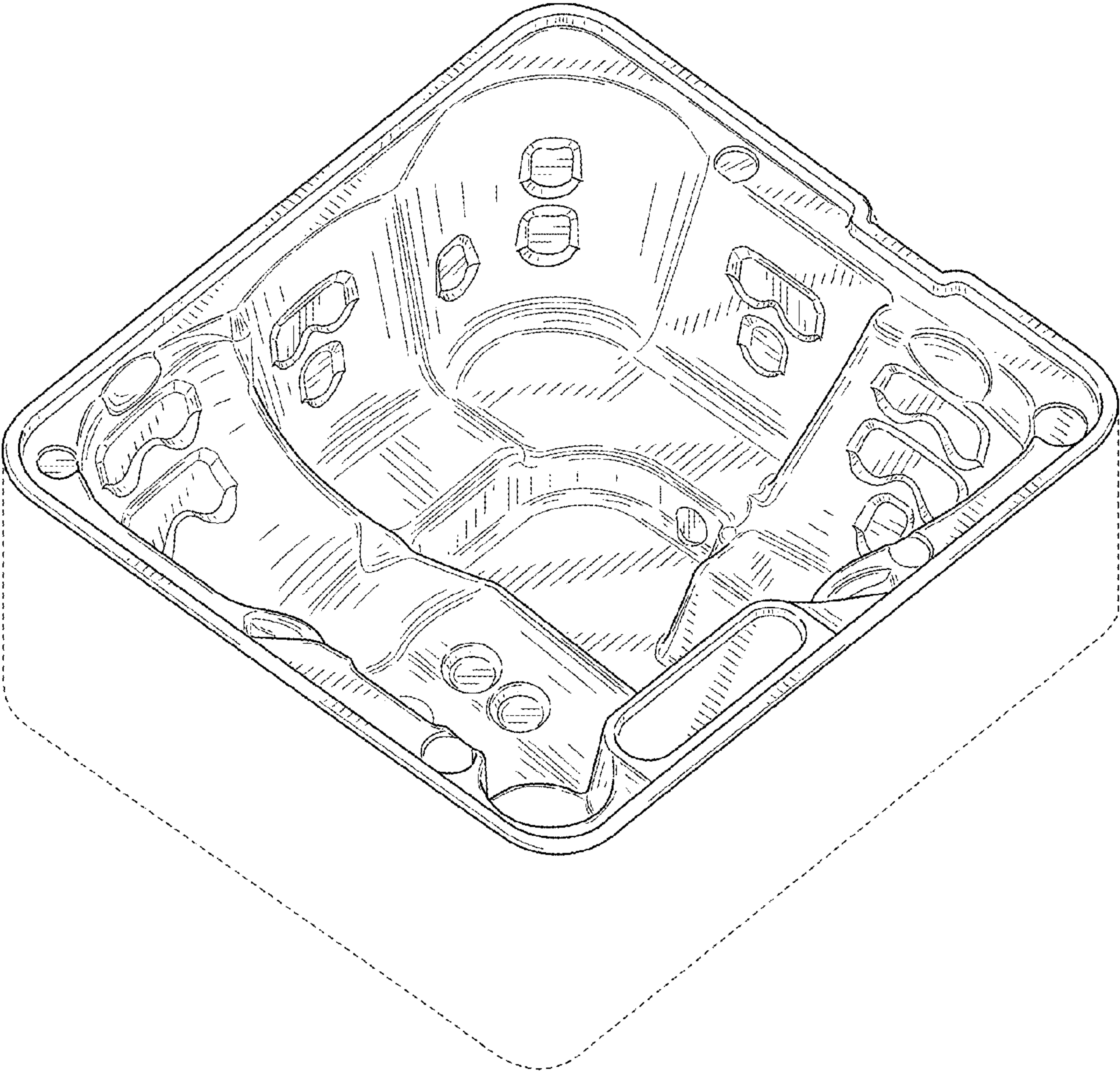


FIG. 1

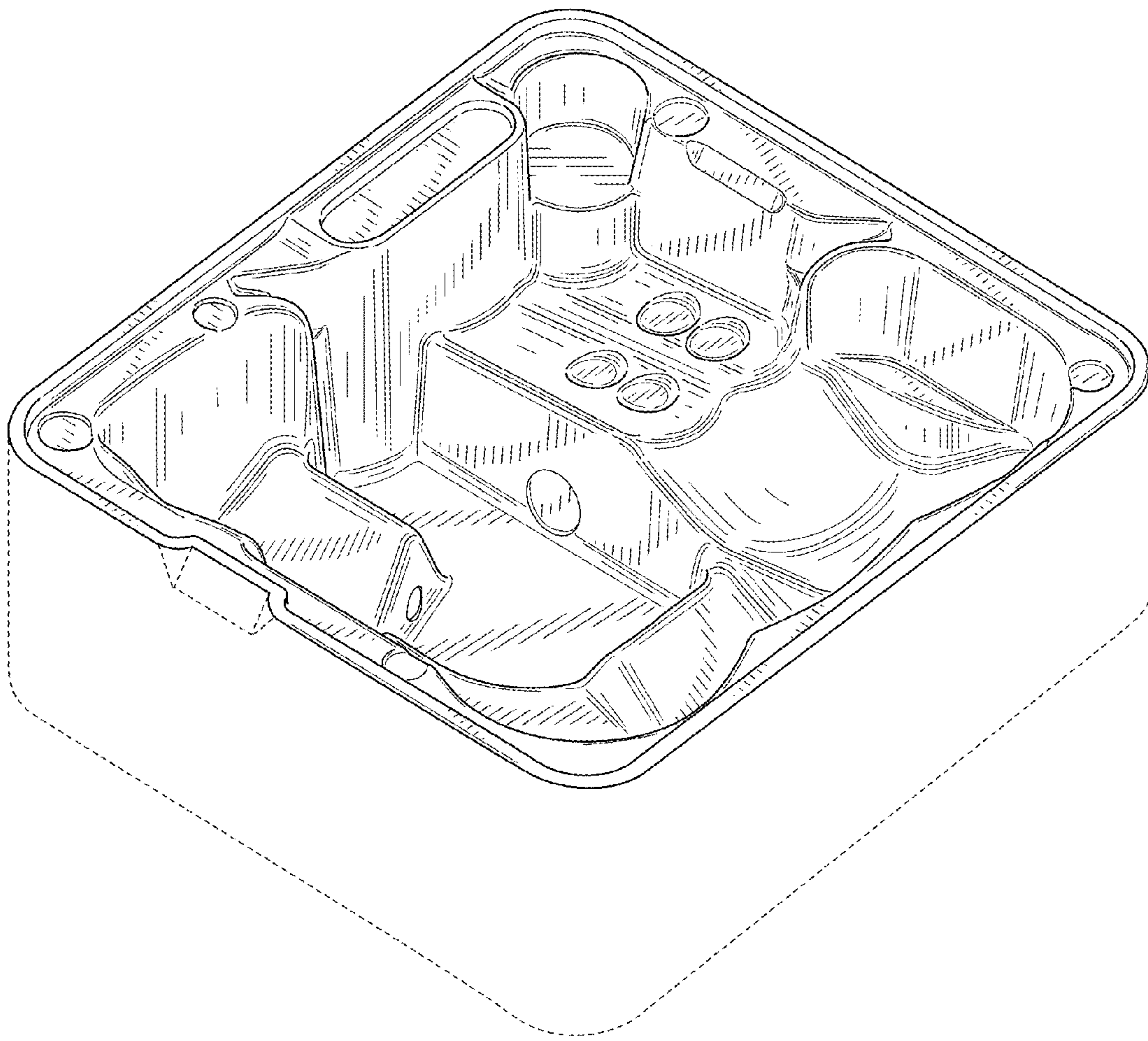
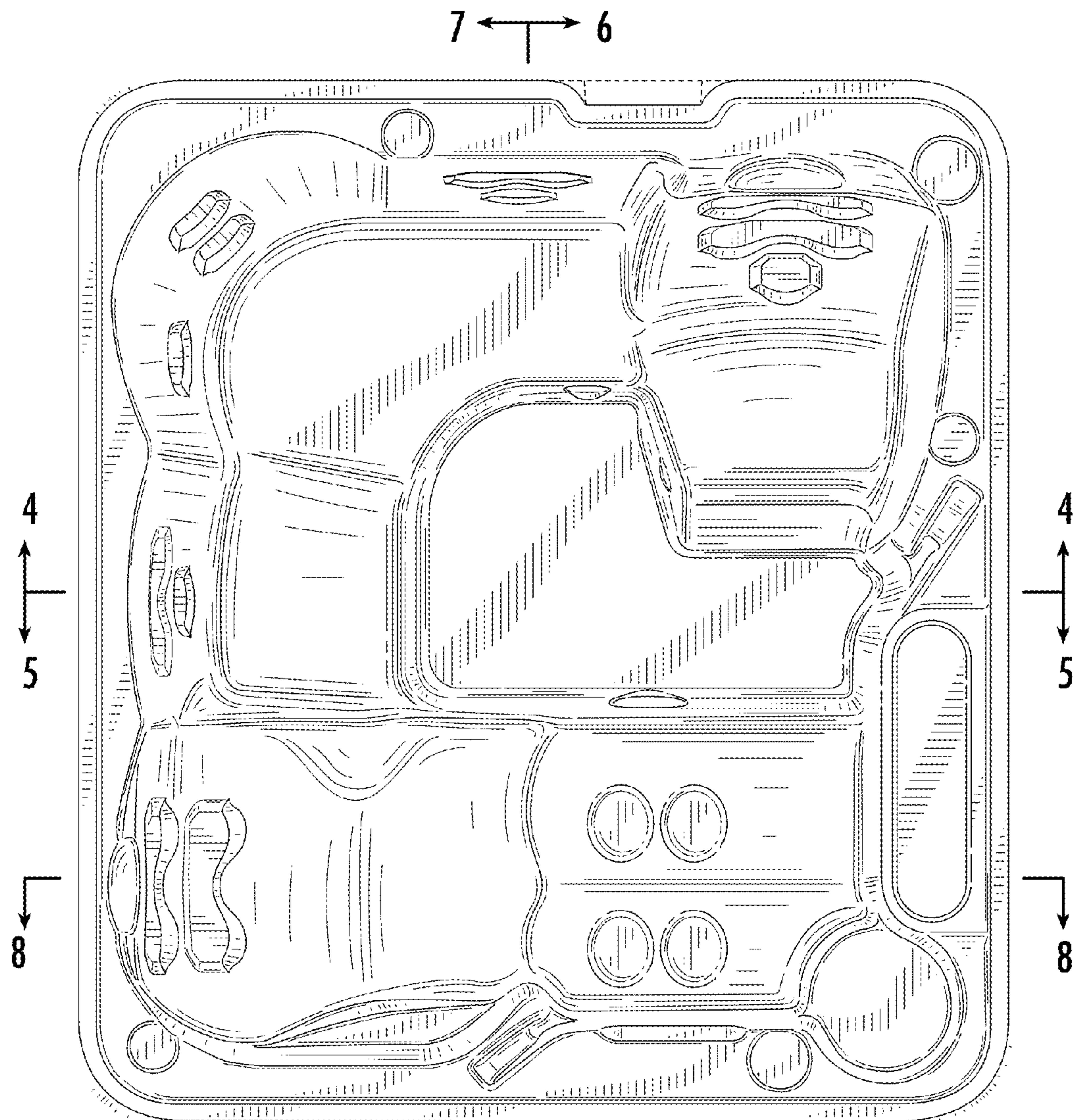


FIG. 2



7 ← → 6

FIG. 3

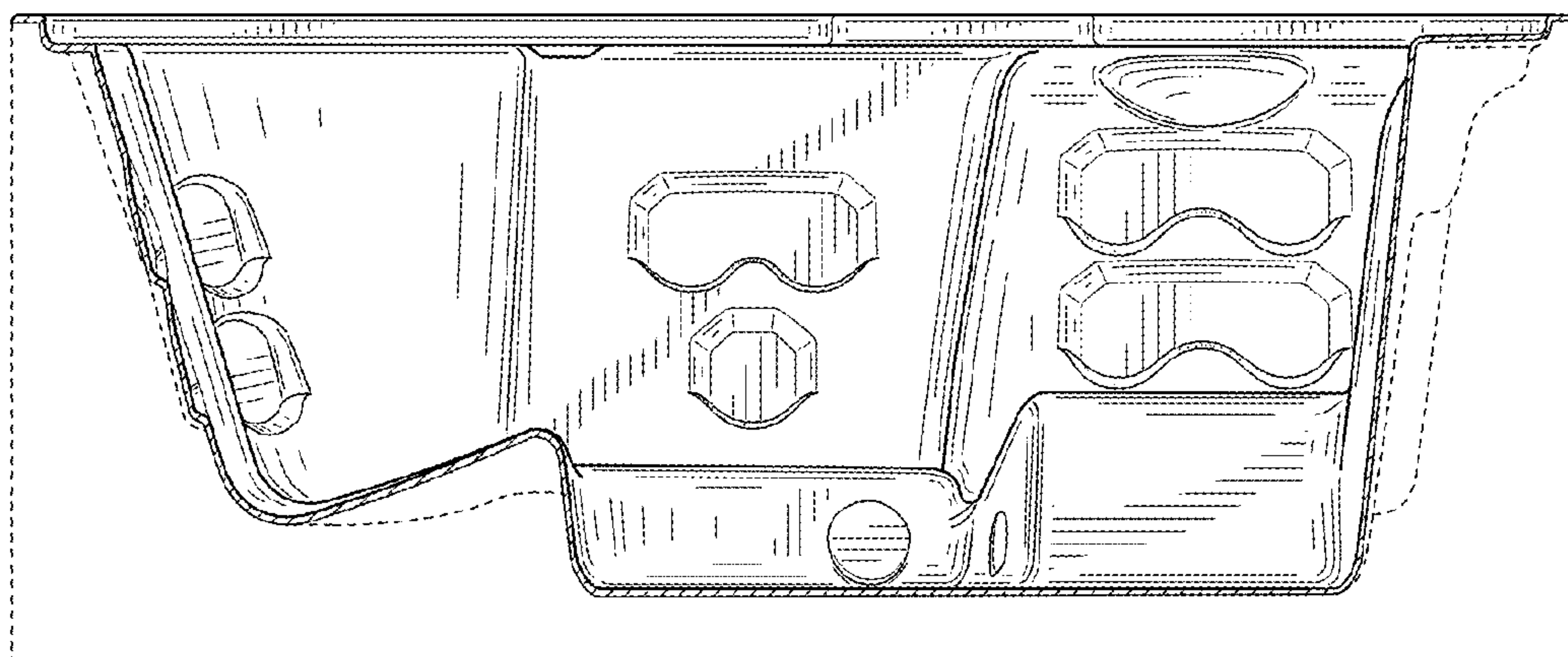


FIG. 4

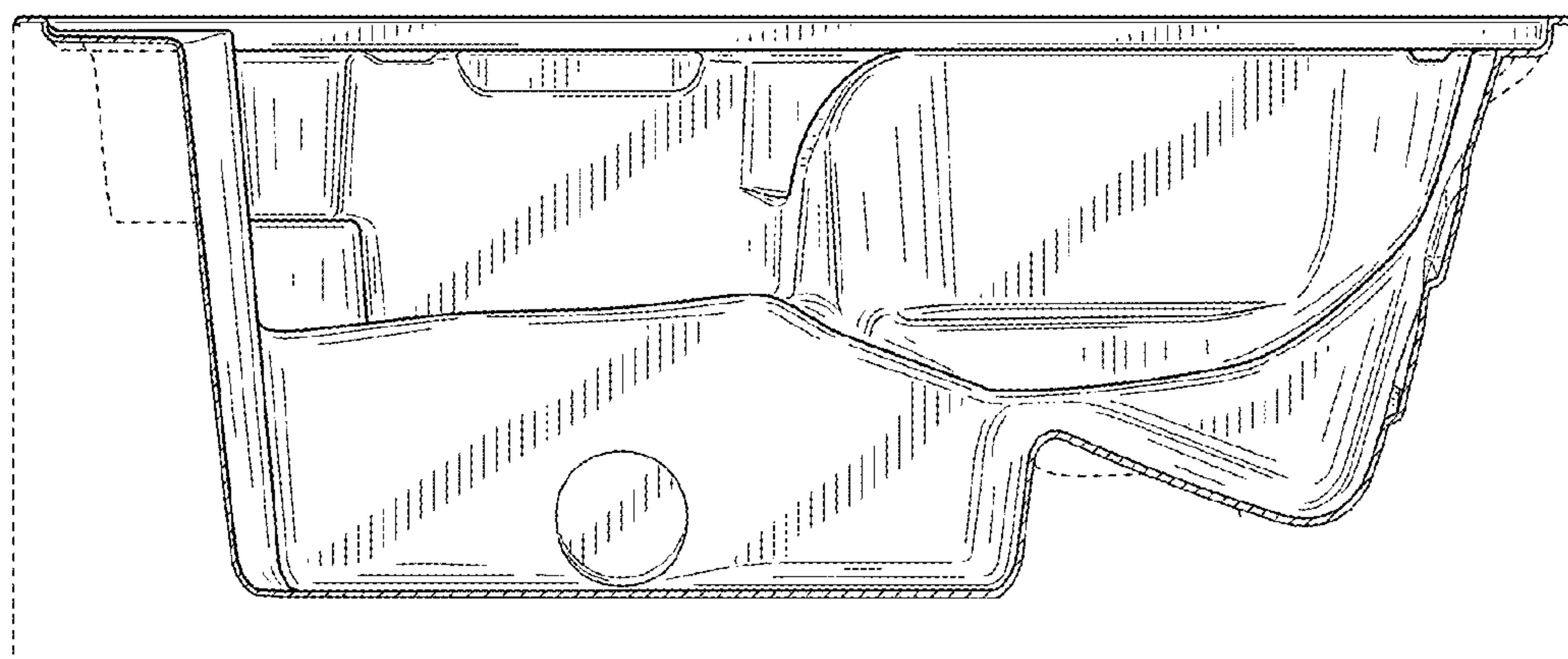


FIG. 5

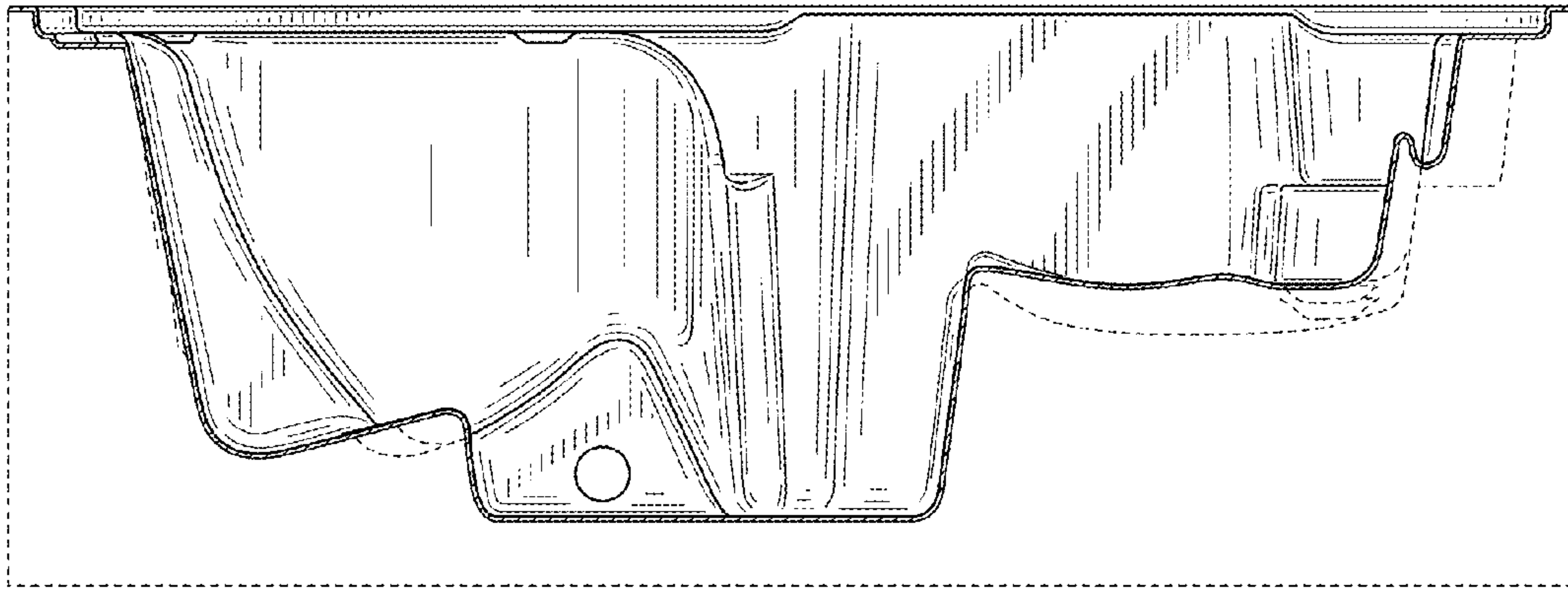


FIG. 6

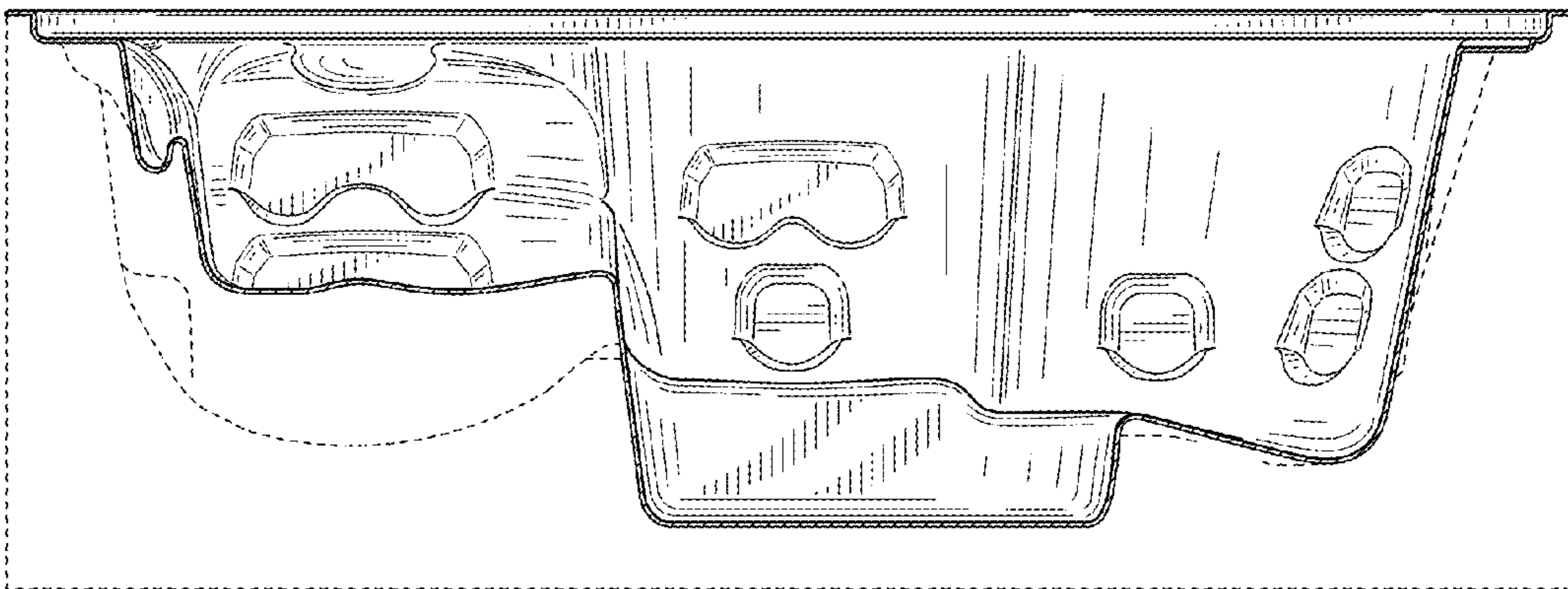


FIG. 7

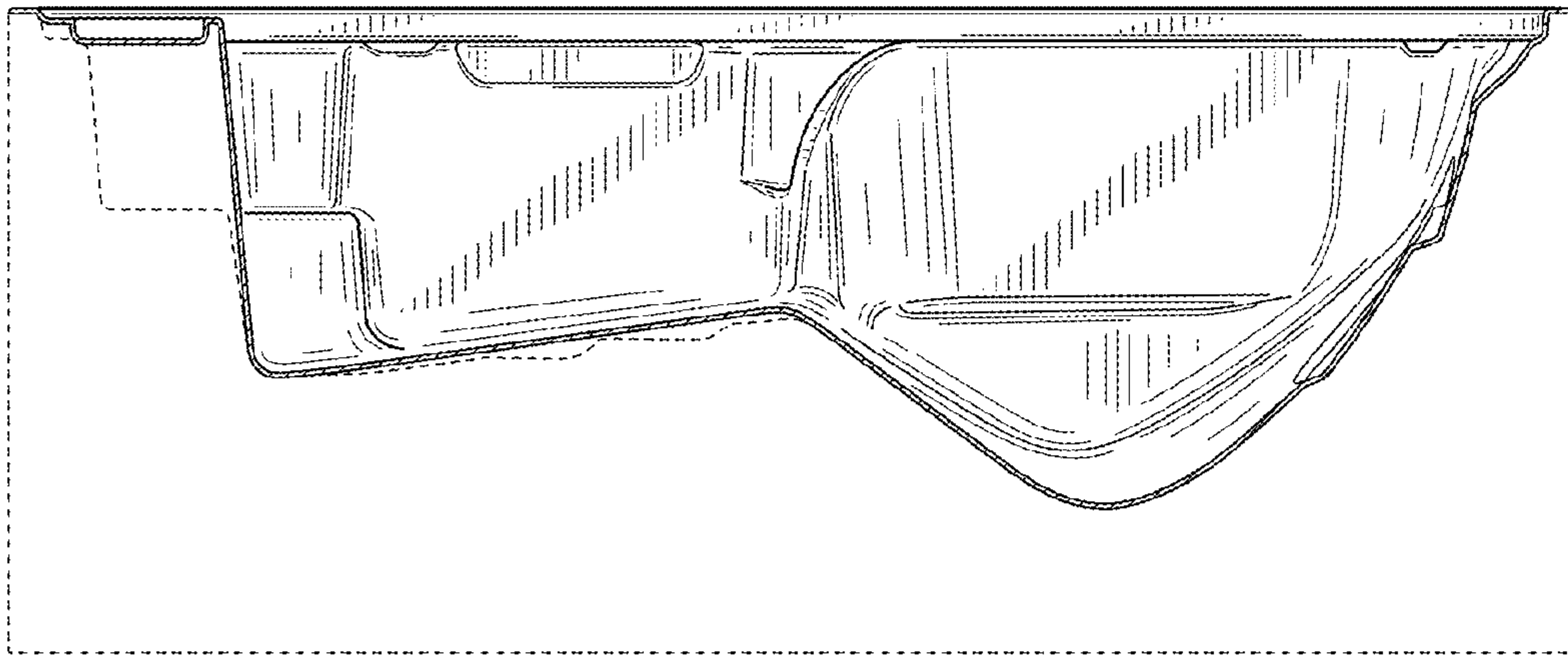


FIG. 8