



US00D755401S

(12) **United States Design Patent**
Larsen et al.

(10) **Patent No.:** **US D755,401 S**
(45) **Date of Patent:** **** May 3, 2016**

- (54) **SPA SHELL**
- (71) Applicant: **WATKINS MANUFACTURING CORPORATION**, Vista, CA (US)
- (72) Inventors: **Christopher Carl Larsen**, Vista, CA (US); **Sage Nathan Baker**, Cardiff by the Sea, CA (US)
- (73) Assignee: **Watkins Manufacturing Corporation**, Vista, CA (US)
- (**) Term: **14 Years**
- (21) Appl. No.: **29/514,476**
- (22) Filed: **Jan. 13, 2015**
- (51) **LOC (10) Cl.** **23-02**
- (52) **U.S. Cl.**
USPC **D24/204**
- (58) **Field of Classification Search**
USPC D24/201, 204, 205; D23/276–278, D23/280.1–280.3; D25/2; 4/488, 4/541.1–541.6, 546–547, 578.1, 579, 4/589, 904; 601/154–158
CPC ... A61H 33/00; A61H 33/0087; A61H 33/02; A61H 33/60; A61H 33/6063; A61H 33/021; A61H 33/022; A61H 33/027; A61H 33/0091; A47K 3/02; A47K 3/122; A47K 3/06; E04H 2004/0068; E04H 4/0037
See application file for complete search history.

D680,656 S *	4/2013	Larsen	D24/204
D685,104 S *	6/2013	Larsen	D24/204
D687,557 S *	8/2013	Larsen	D24/204
D721,817 S *	1/2015	Larsen	D24/204
D726,328 S *	4/2015	Larsen	D24/204
2008/0148471 A1 *	6/2008	Tatum	A61H 33/0087 4/541.6
2015/0283400 A1 *	10/2015	Hatley	A61N 5/0616 607/80

OTHER PUBLICATIONS

Relay 6 Person Hot Tub, posted at Hotspring, first review posted Jan. 13, 2012 [online], [site visited Feb. 2, 2016]. Available from the Internet, <URL: <http://www.hotspring.com/shop-hot-tub-models/hotspot/6-person-hot-tub-relay-value-priced-hot-tubs>>.*

* cited by examiner

Primary Examiner — Catheri Oliver-Garcia

Assistant Examiner — Rebekah Caruso

(74) *Attorney, Agent, or Firm* — Kirk W. Rudolph

CLAIM

(57) The ornamental design for a spa shell, as shown and described.

DESCRIPTION

FIG. 1 is a perspective view of a spa shell showing our design; FIG. 2 is a second perspective view thereof; FIG. 3 is a top plan view thereof; FIG. 4 is a cross-sectional view thereof, taken along line 4-4 of FIG. 3; FIG. 5 is a cross-sectional view thereof, taken along line 5-5 of FIG. 3; FIG. 6 is a cross-sectional view thereof, taken along line 6-6 of FIG. 3; FIG. 7 is a cross-sectional view thereof, taken along line 7-7 of FIG. 3; and, FIG. 8 is a cross-sectional view thereof, taken along line 8-8 of FIG. 3.

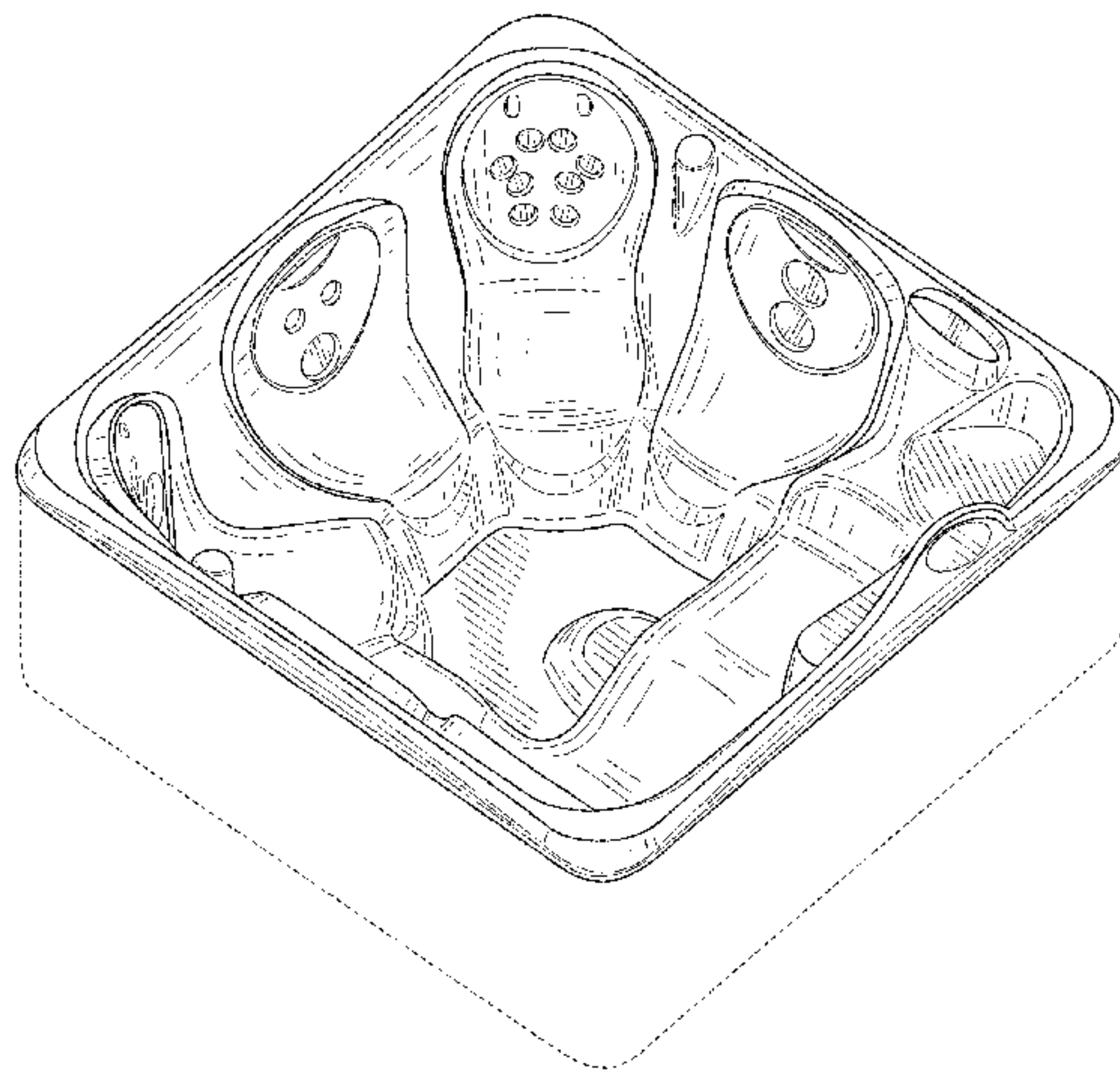
The broken lines in the drawings represent unclaimed portions of the spa shell and form no part of the claimed design.

1 Claim, 6 Drawing Sheets

(56) **References Cited**

U.S. PATENT DOCUMENTS

D305,061 S *	12/1989	Pauls	D24/205
D512,152 S *	11/2005	Loyd	D24/201
D514,704 S *	2/2006	Loyd	D24/201
D522,662 S *	6/2006	Loyd	D24/204
D531,729 S *	11/2006	Larsen	D24/201
D542,925 S *	5/2007	Larsen	D24/204
D551,357 S *	9/2007	Loyd	D24/204
D621,946 S *	8/2010	Larsen	D24/204
D621,947 S *	8/2010	Larsen	D24/204
D624,657 S *	9/2010	Larsen	D24/204



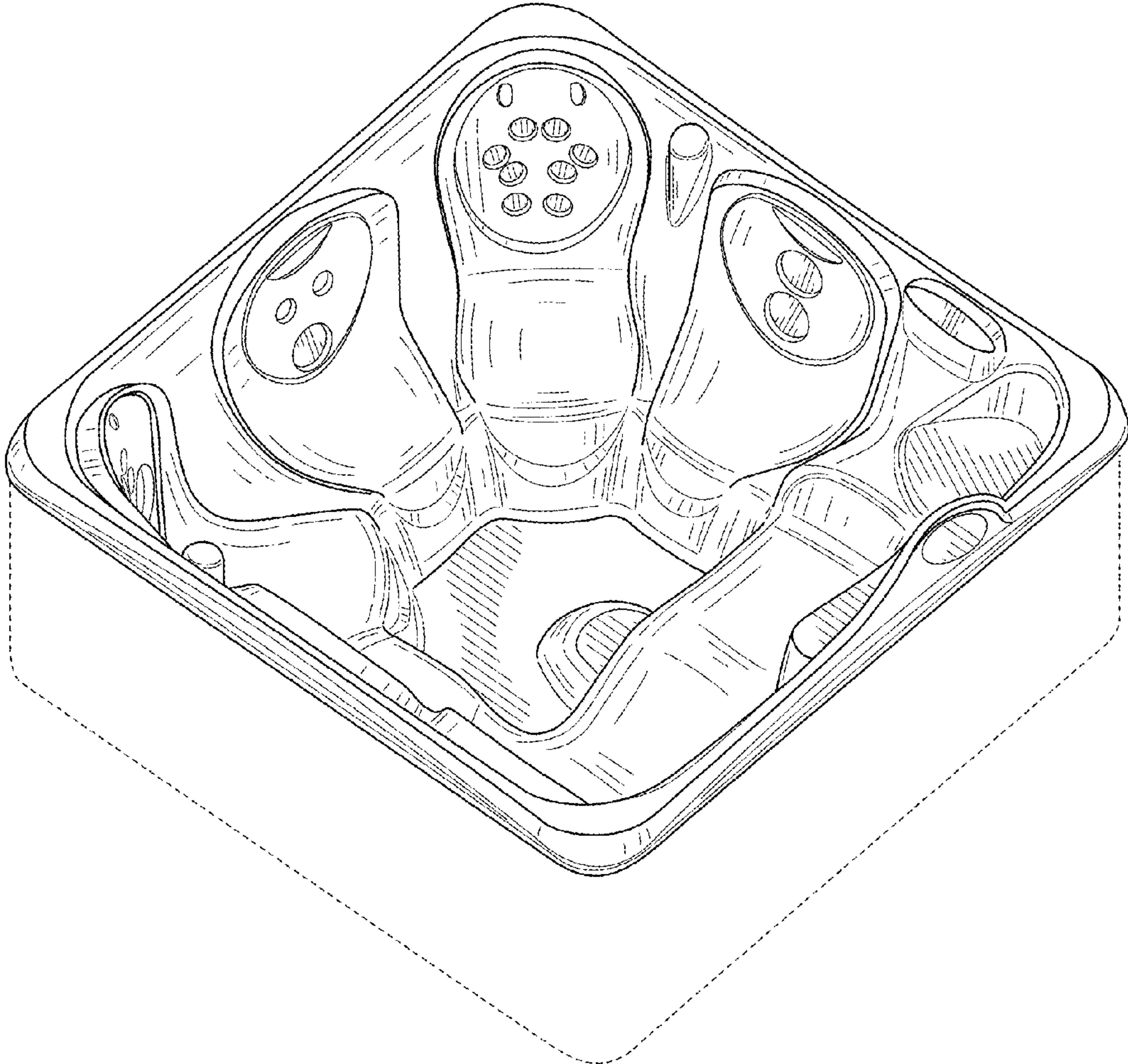


FIG. 1

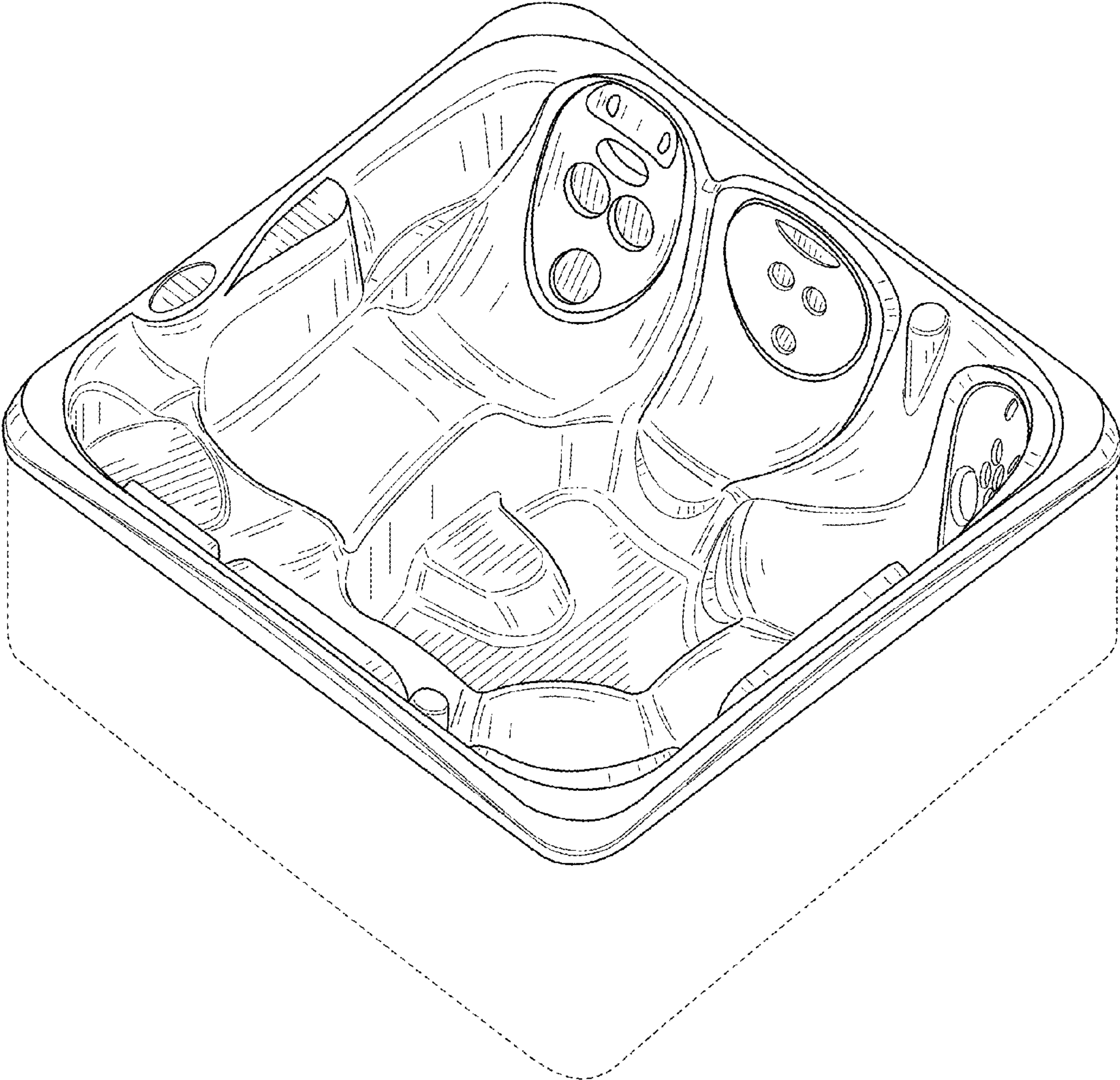


FIG. 2

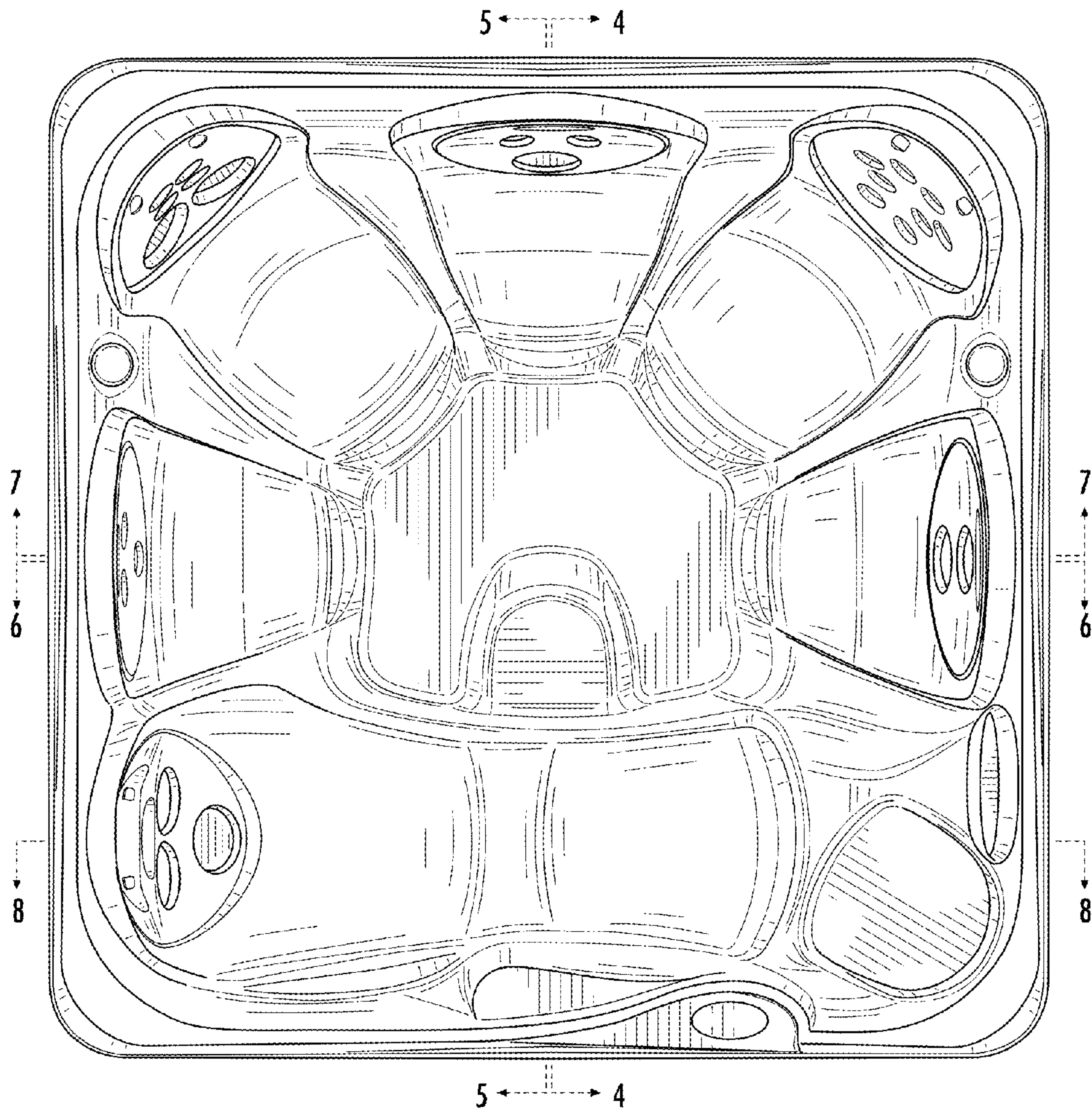


FIG. 3

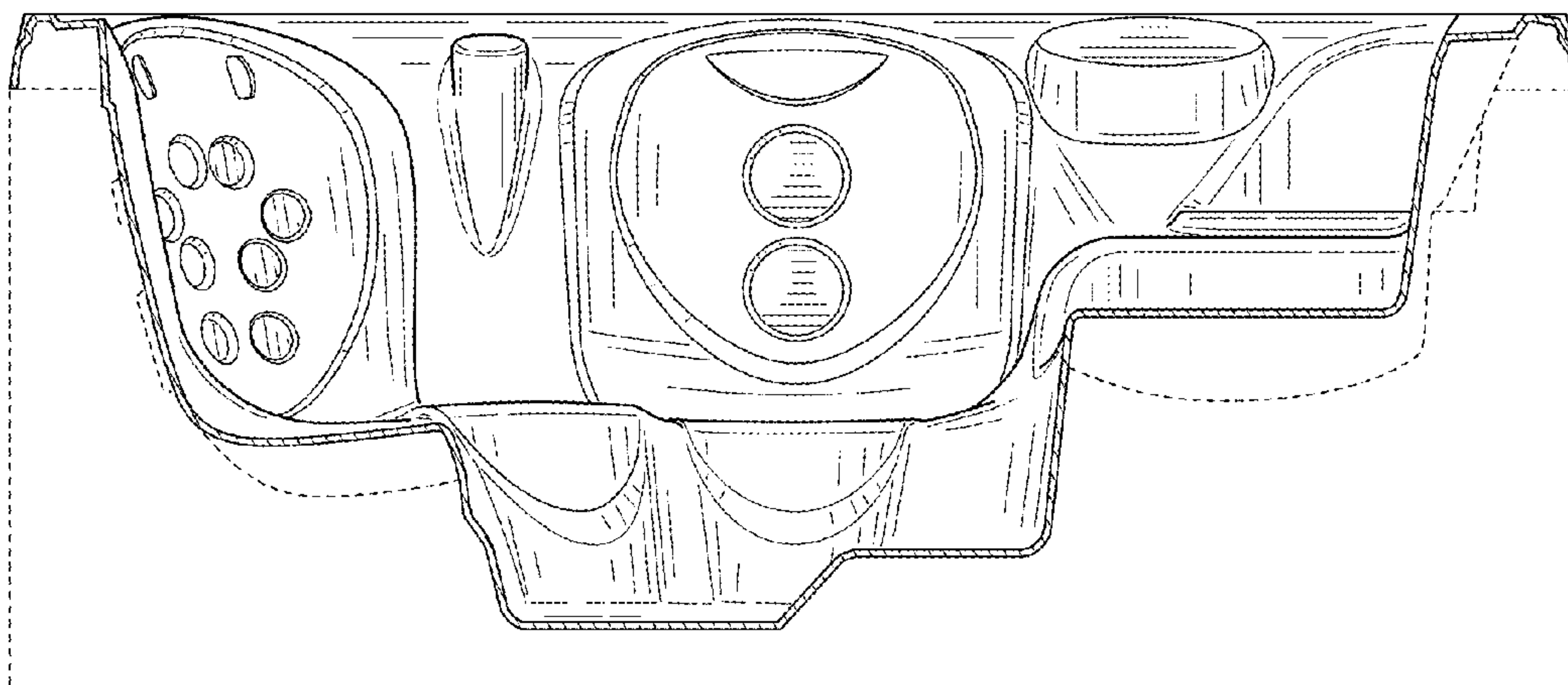


FIG. 4

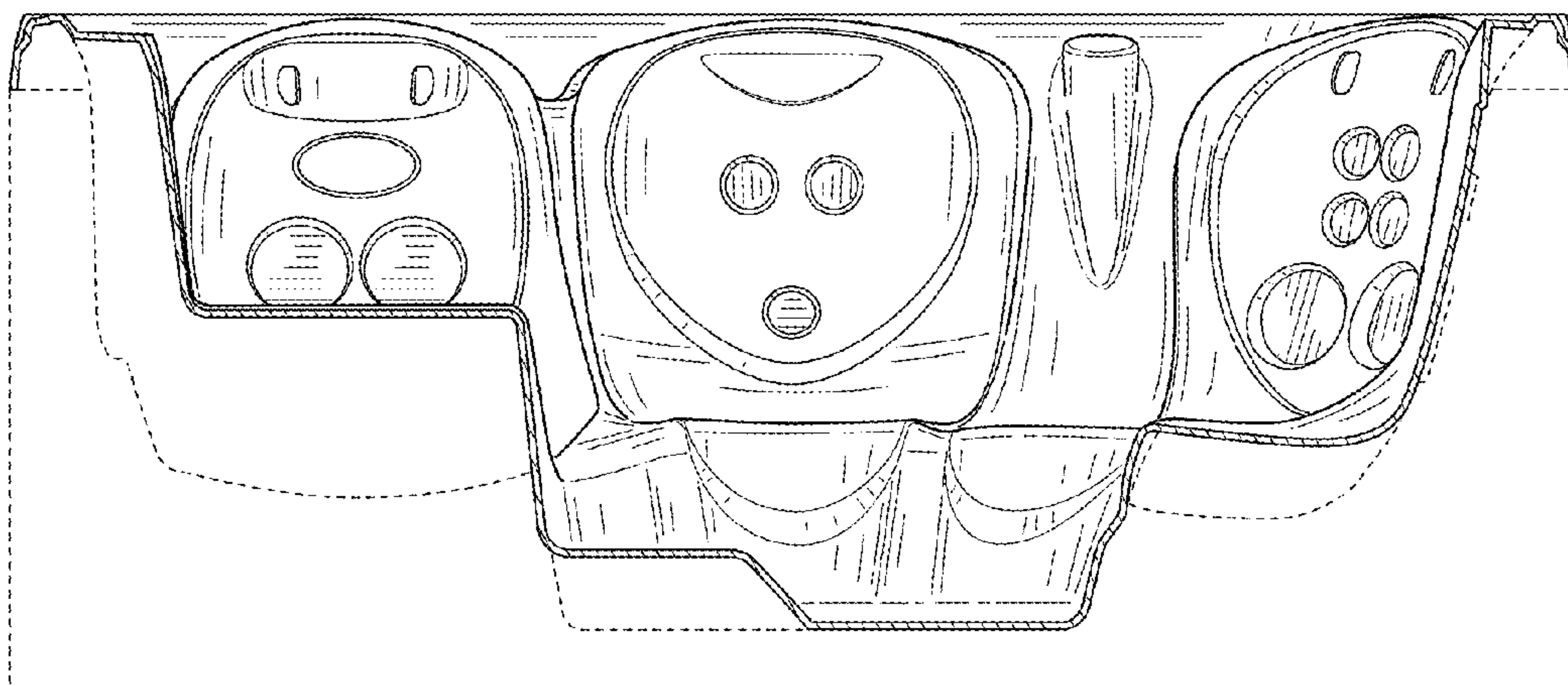


FIG. 5

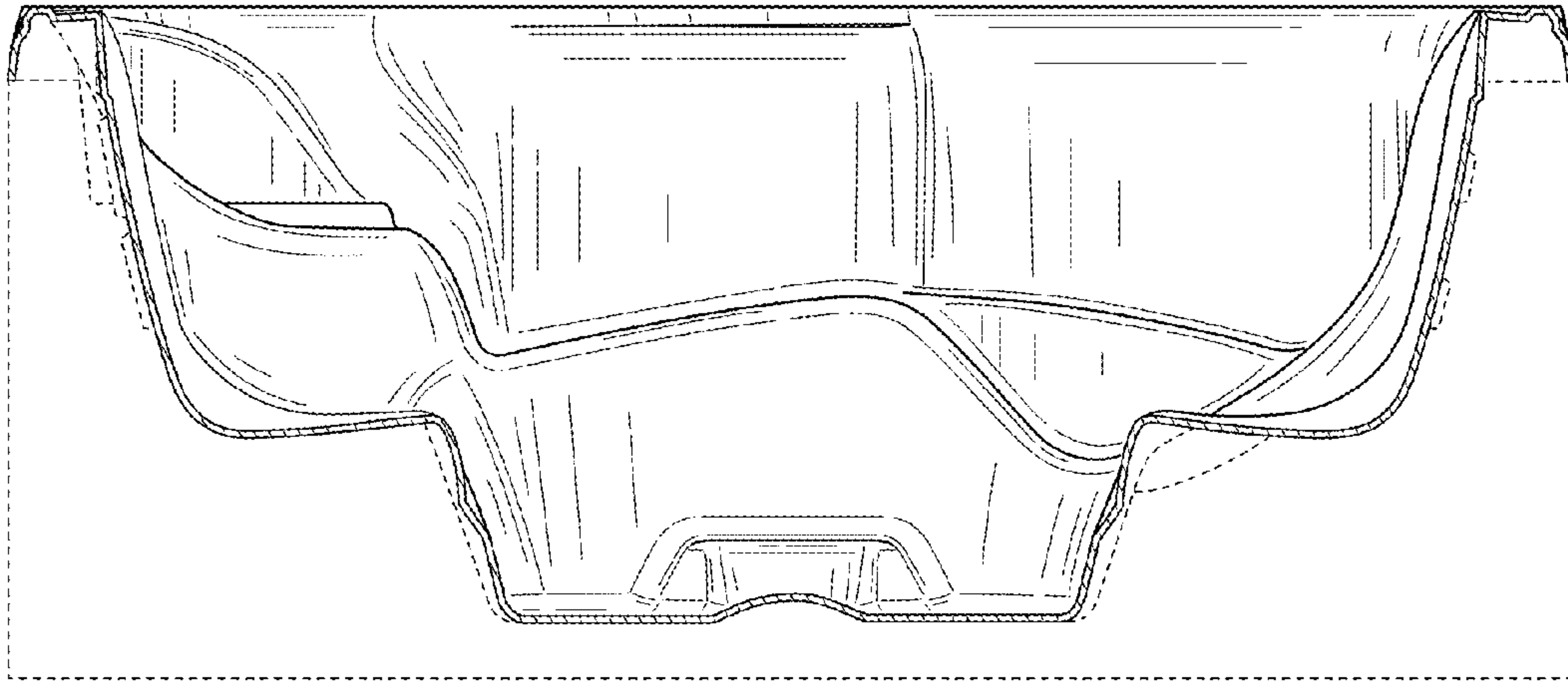


FIG. 6

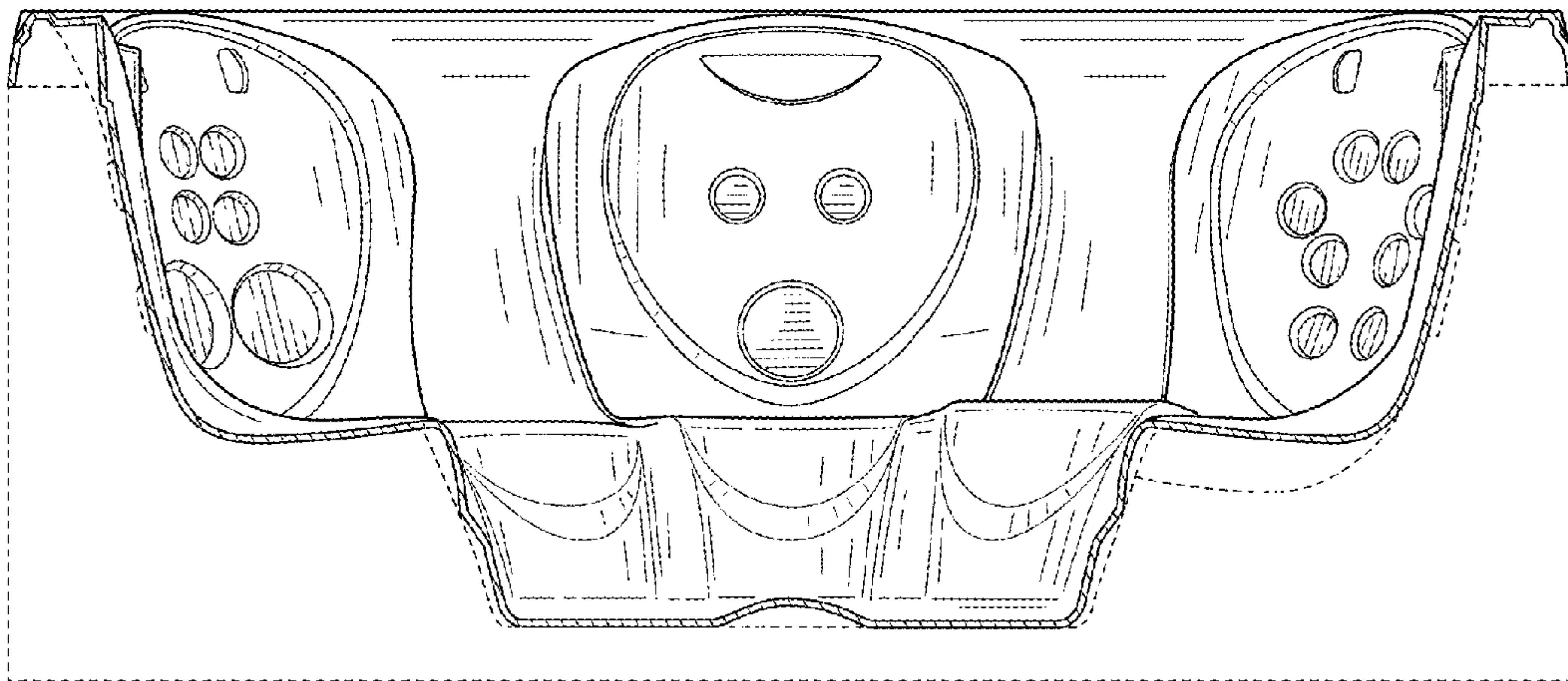


FIG. 7

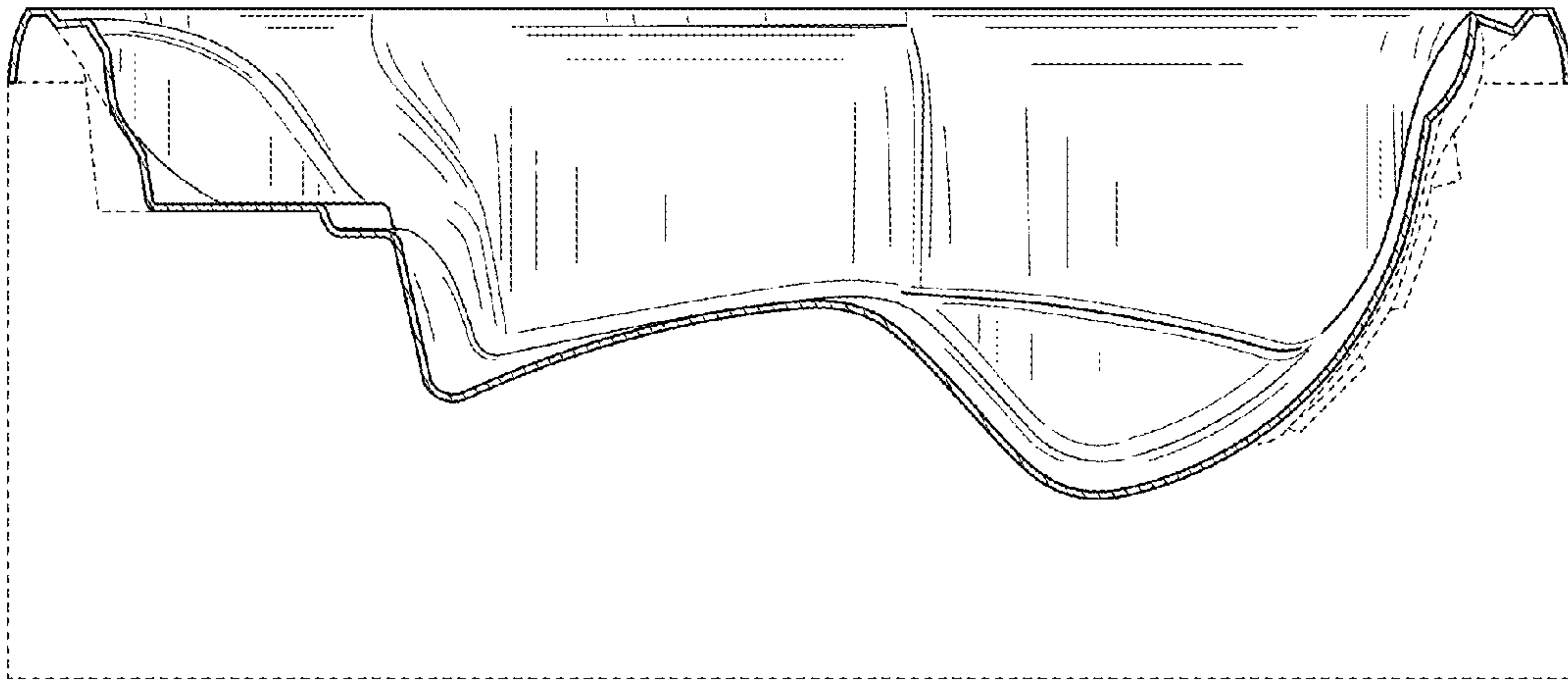


FIG. 8