

US00D755400S

(12) **United States Design Patent**
Melvin

(10) **Patent No.:** **US D755,400 S**
(45) **Date of Patent:** **** May 3, 2016**

(54) **PROTECTIVE COVER FOR A PACIFIER**

(71) Applicant: **Jennifer E. Melvin**, Palm Beach Gardens, FL (US)

(72) Inventor: **Jennifer E. Melvin**, Palm Beach Gardens, FL (US)

(**) Term: **14 Years**

(21) Appl. No.: **29/497,060**

(22) Filed: **Jul. 21, 2014**

(51) **LOC (10) Cl.** **24-04**

(52) **U.S. Cl.**
USPC **D24/195**; D24/194

(58) **Field of Classification Search**
USPC D24/193, 194, 195, 196, 197, 198, 199, D24/214; D9/614, 615, 620, 625; D30/160; 606/234, 235, 236; D29/113, 118, 123; D2/614, 622; 215/11.1, 11.4, 11.6; D1/101, 106, 125, 199; D21/414, 490, D21/588, 625, 627
CPC A61J 17/008
See application file for complete search history.

(56) **References Cited**

U.S. PATENT DOCUMENTS

D275,993 S *	10/1984	Ryan	D24/194
D316,900 S *	5/1991	White	D24/197
D336,338 S *	6/1993	Selame	D24/194
D385,316 S *	10/1997	McCarter	D21/587
D426,639 S *	6/2000	McGrath-Ferraioli	D24/197
D452,373 S *	12/2001	Horntrich	D3/294
D469,177 S *	1/2003	Rohrig	D24/124
D521,422 S *	5/2006	Williams	D12/133

D545,055 S *	6/2007	Lieberman	D3/203.1
D597,886 S *	8/2009	Styles	D11/158
D636,133 S *	4/2011	Rutherford	D30/160
D652,181 S *	1/2012	Lee	D30/160
8,230,808 B2 *	7/2012	Lai	A01K 5/0114 119/51.01

OTHER PUBLICATIONS

“Pacifier Convenient Carrying Case”. Found online Aug. 24, 2015 at am azon.com. Page dated Aug. 24, 2013. Retrieved from http://www.amazon.com/Pacifier-Convenient-Carrying-standard-pacifiers/dp/B0019QG0GC/ref=cm_cr_pr_product_top?ie=UTF8.*

* cited by examiner

Primary Examiner — Robert M Spear

Assistant Examiner — Kendra L Hamilton

(74) *Attorney, Agent, or Firm* — Robert M. Downey, P.A.

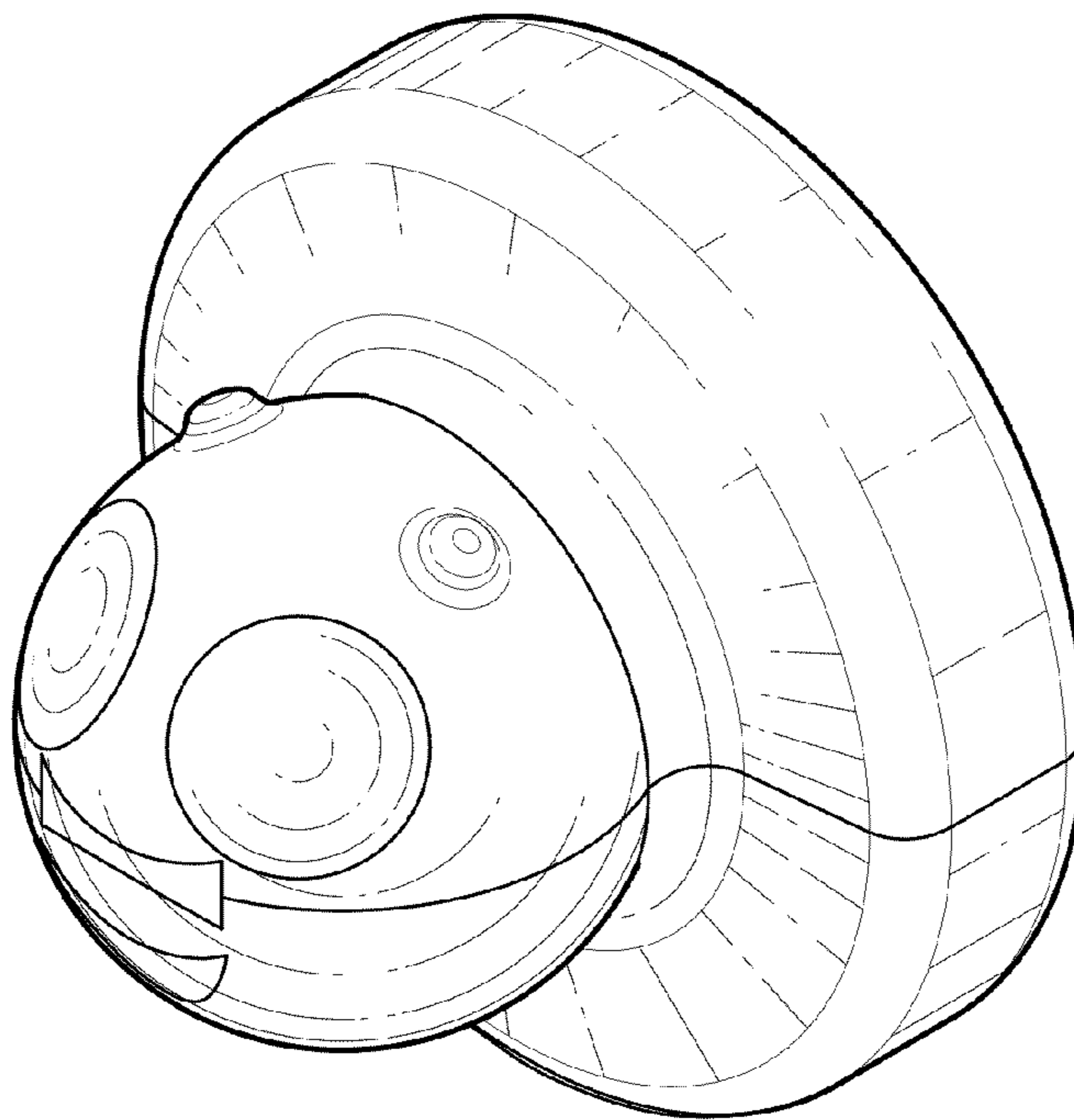
(57) **CLAIM**

The ornamental design for a protective cover for a pacifier, as shown and described.

DESCRIPTION

FIG. 1 is a front, top perspective view of a protective cover for a pacifier showing my new design; FIG. 2 is a front elevational view thereof; FIG. 3 is a right side elevational view thereof; FIG. 4 a rear elevational view thereof; FIG. 5 is a left side elevational view thereof; FIG. 6 is a top plan view thereof; FIG. 7 is a bottom plan view thereof; and, FIG. 8 is a rear, top perspective view thereof. The broken lines shown in FIGS. 3 through 8 form no part of the claimed design.

1 Claim, 4 Drawing Sheets



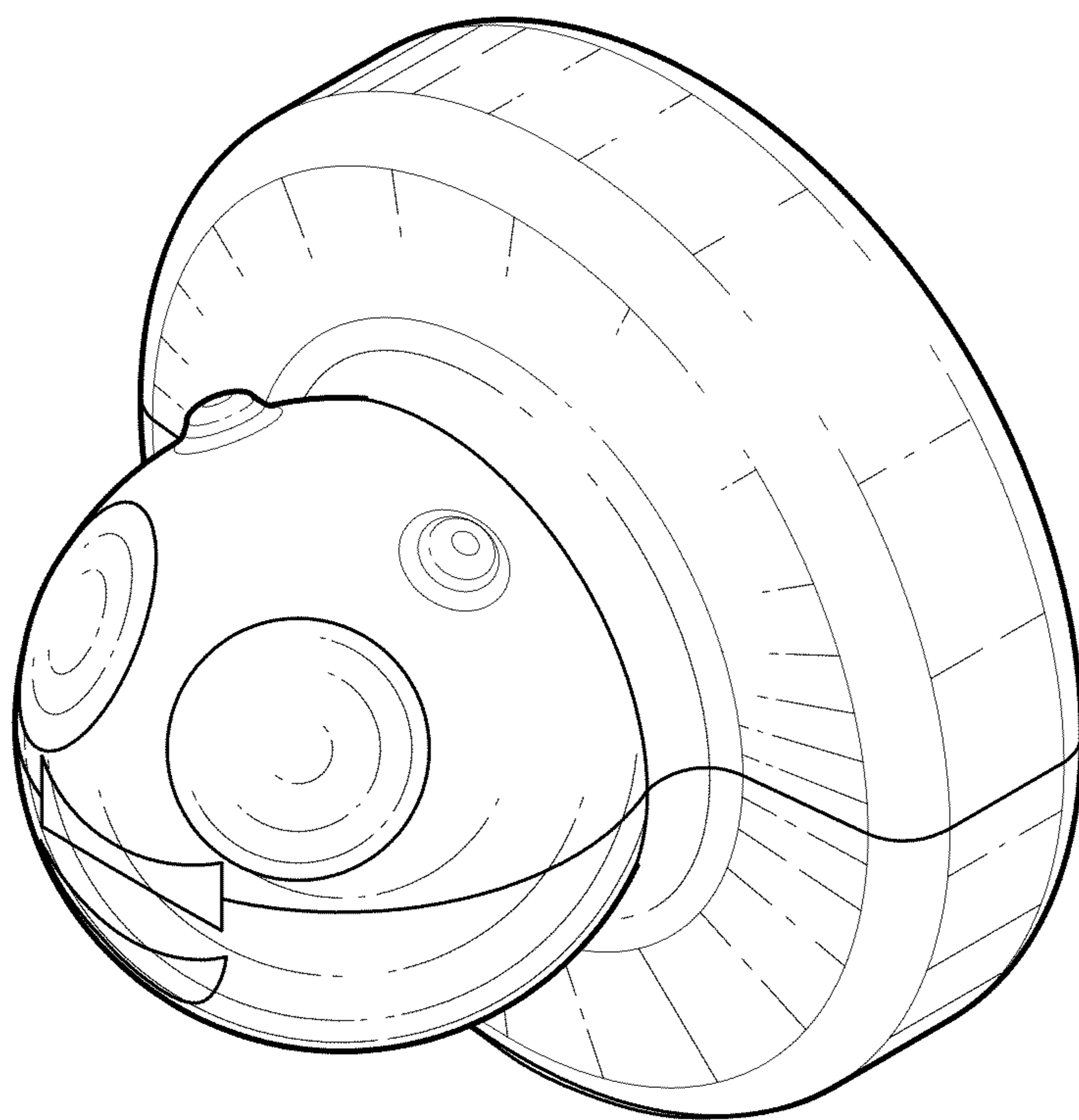


FIG. 1



FIG. 2

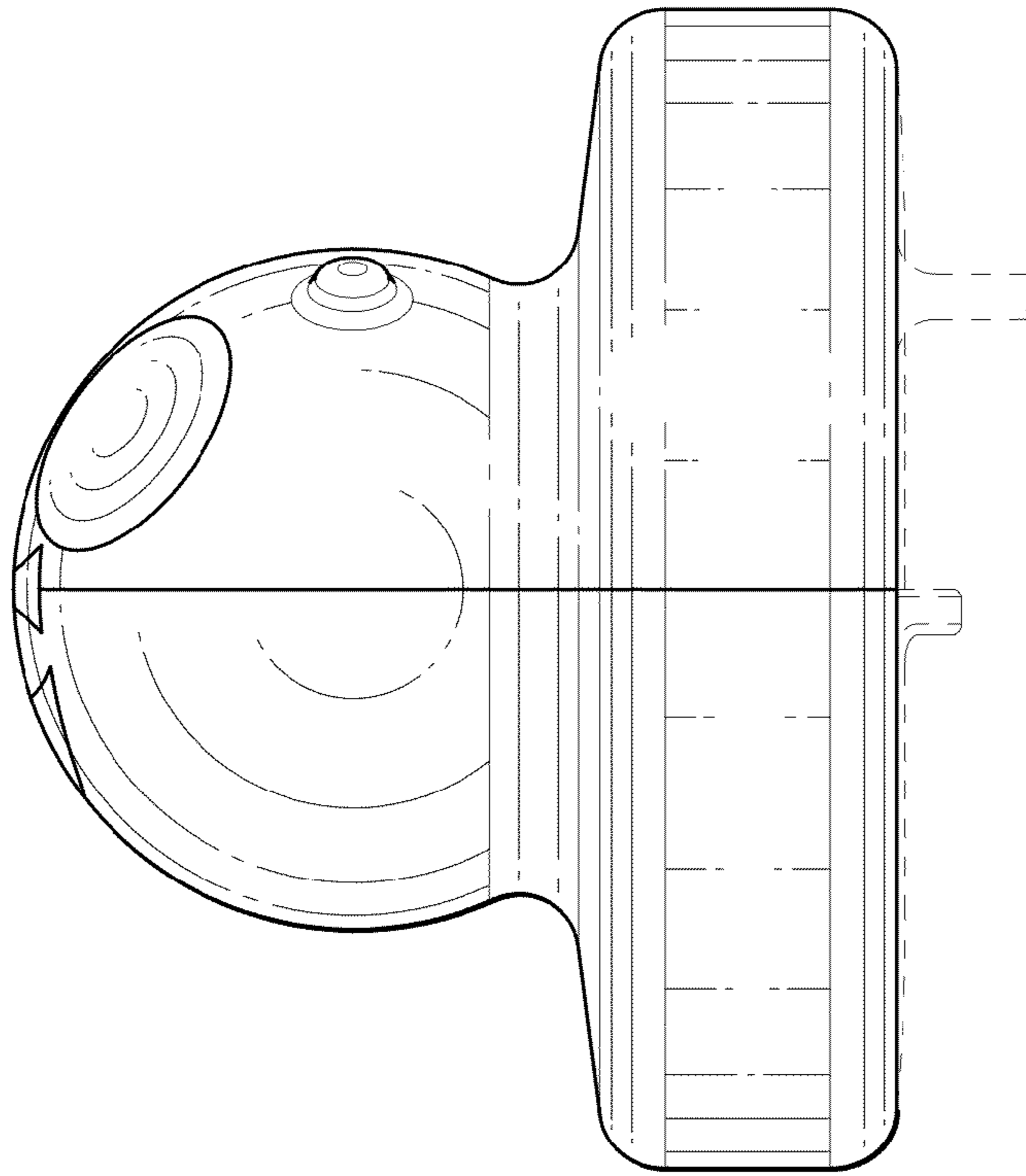


FIG. 3

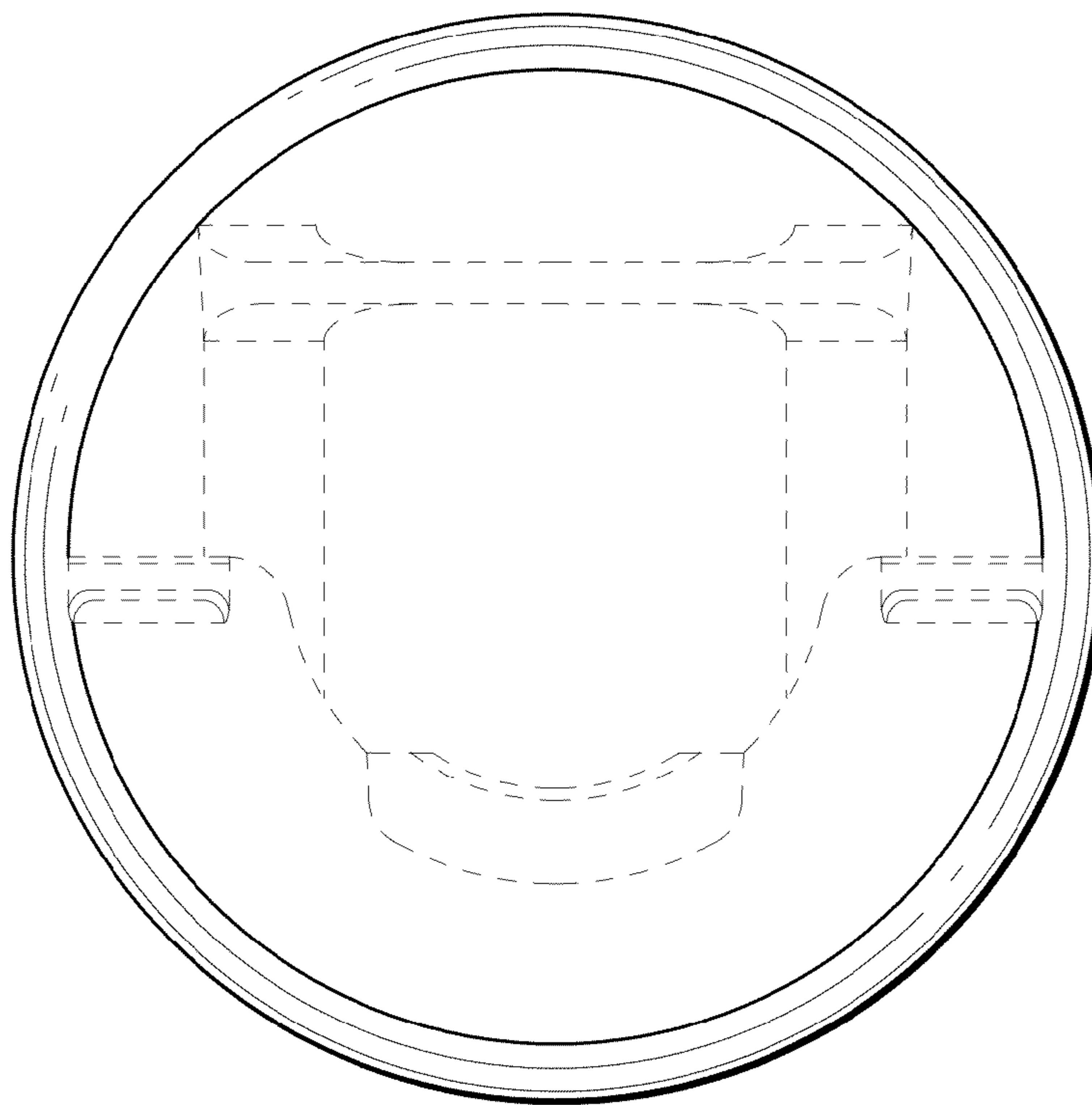


FIG. 4

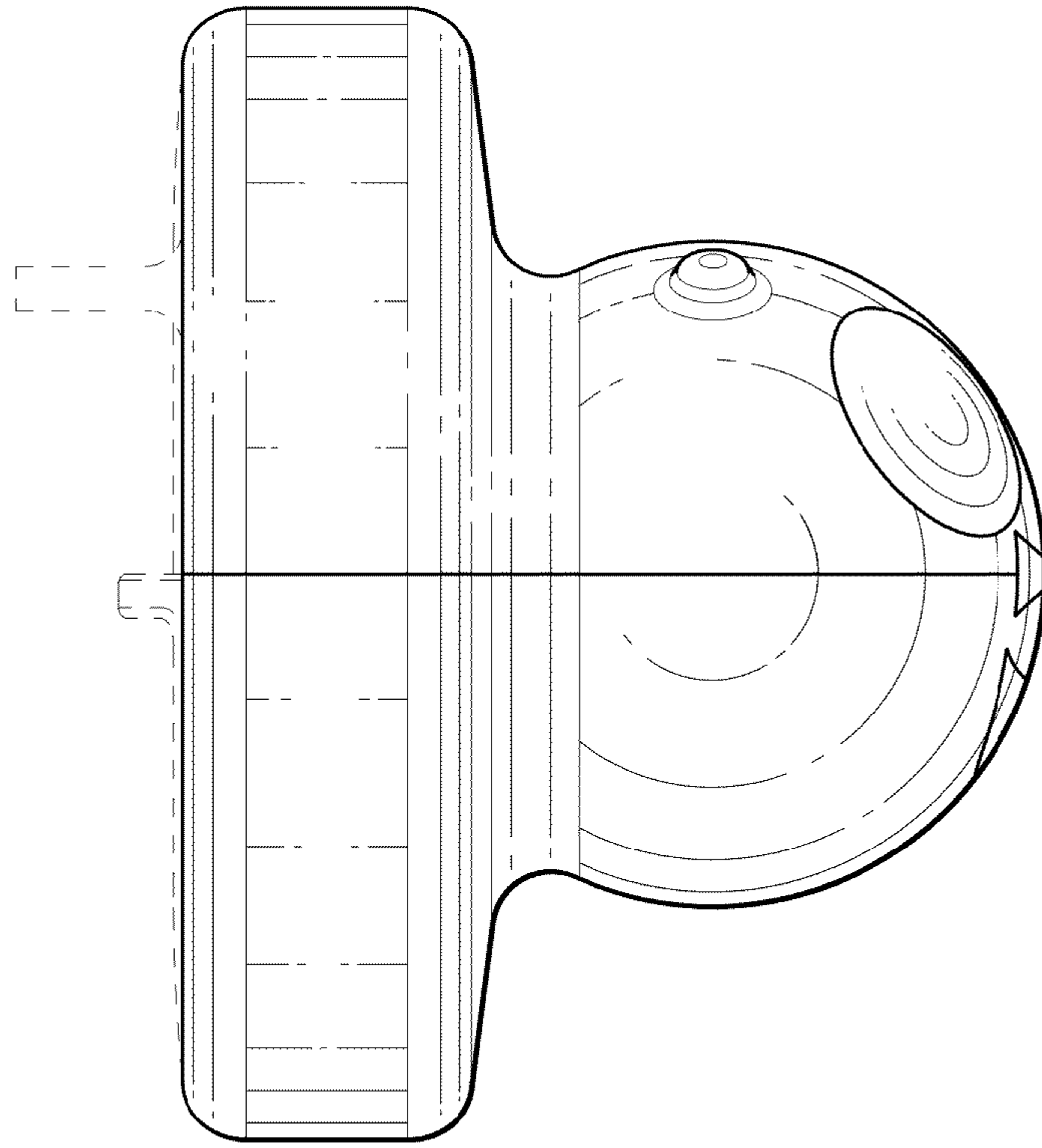


FIG. 5

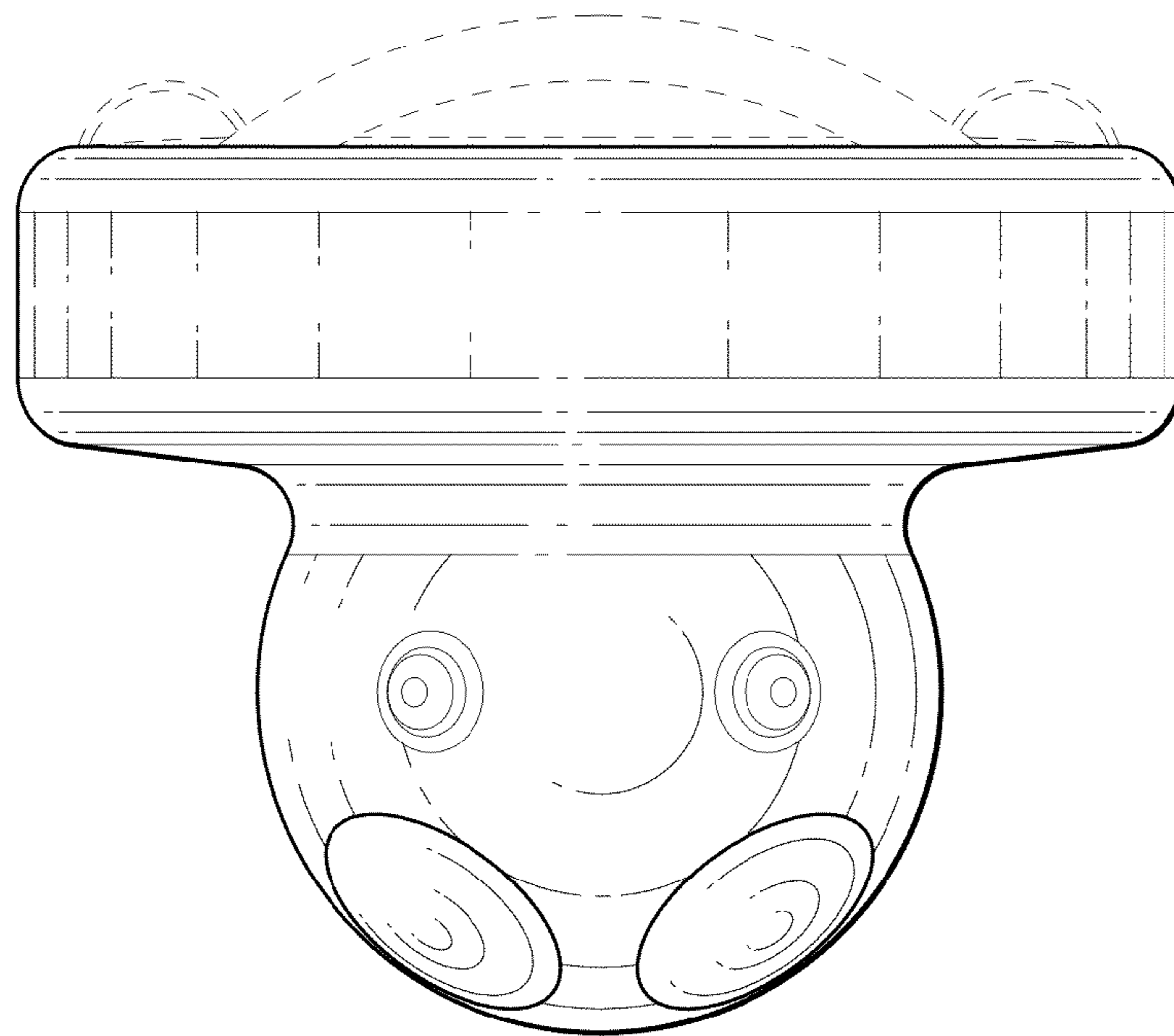


FIG. 6

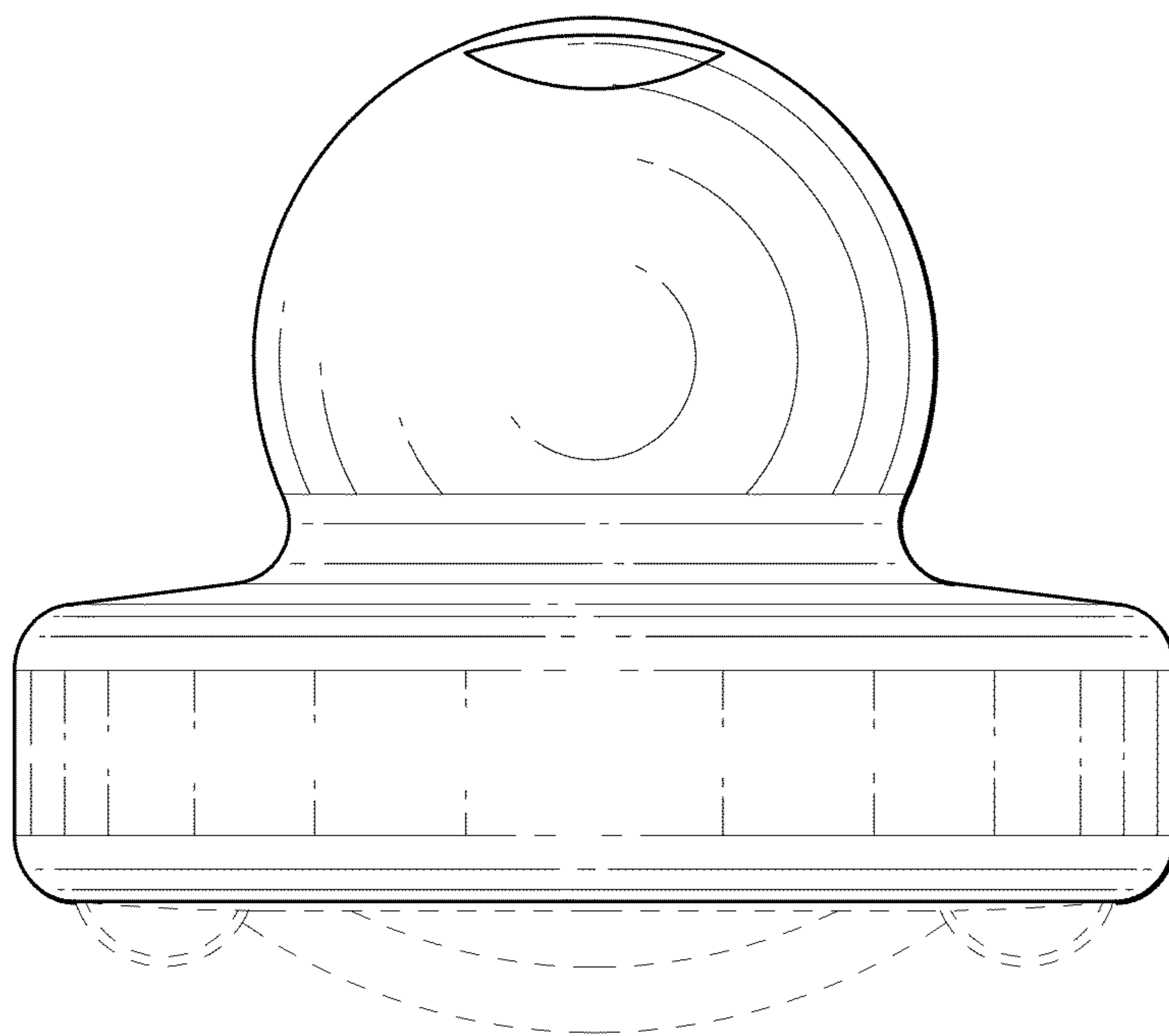


FIG. 7

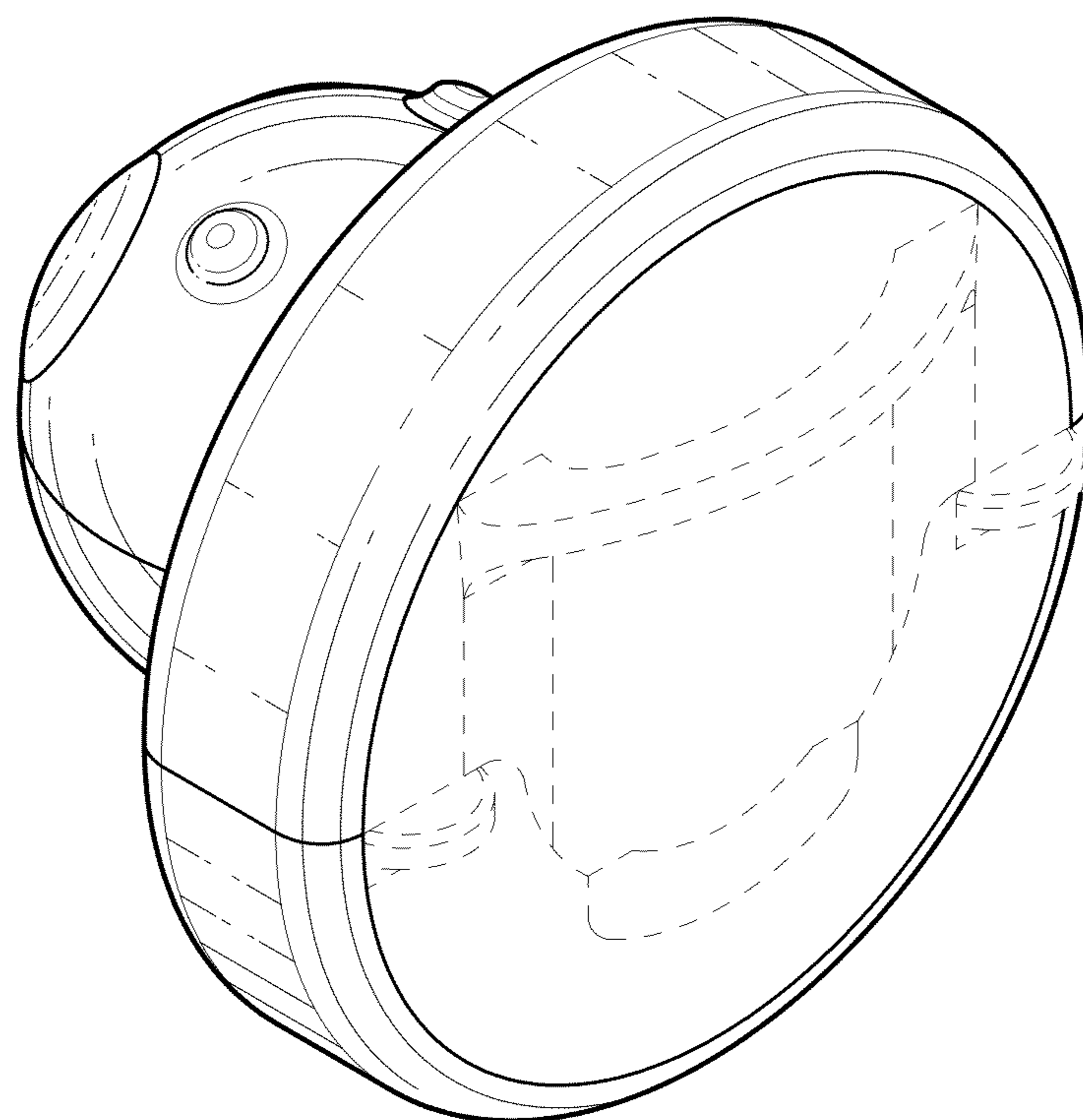


FIG. 8