



US00D755399S

(12) **United States Design Patent**
Jones

(10) **Patent No.:** **US D755,399 S**

(45) **Date of Patent:** **** May 3, 2016**

- (54) **TEETHING DEVICE**
- (71) Applicant: **RCJ OPERATIONS TEXAS, LLC,**
Austin, TX (US)
- (72) Inventor: **Renee Jones,** Austin, TX (US)
- (73) Assignee: **RCJ OPERATIONS TEXAS, LLC,**
Austin, TX (US)
- (**) Term: **14 Years**
- (21) Appl. No.: **29/496,606**
- (22) Filed: **Jul. 15, 2014**
- (51) **LOC (10) Cl.** **24-04**
- (52) **U.S. Cl.**
USPC **D24/194**
- (58) **Field of Classification Search**
USPC D24/193, 194, 195, 196, 197, 198, 199,
D24/214; D9/614, 615, 620, 625; D30/160;
606/234, 235, 236; D29/113, 118, 123;
D2/614, 622; 215/11.1, 11.4, 11.6;
D1/101, 106, 125, 199; D21/414, 490,
D21/588, 625, 627
CPC A61J 17/00
See application file for complete search history.

(56) **References Cited**

U.S. PATENT DOCUMENTS

- D194,728 S * 2/1963 Ferguson D1/101
- D213,167 S * 1/1969 Ferguson D1/101
- 3,669,117 A 6/1972 Herbst
- 3,875,940 A 4/1975 Beuther
- 4,192,307 A 3/1980 Baer
- 5,013,321 A 5/1991 MacVane
- 5,300,089 A 4/1994 Sassin
- 5,364,348 A * 11/1994 Berry, Sr. A61J 7/00
604/77
- D368,778 S * 4/1996 Kino D24/194

- 5,606,871 A 3/1997 Hansen et al.
- 5,782,868 A 7/1998 Moore, Jr. et al.
- 5,908,440 A 6/1999 McCloskey et al.
- D440,718 S * 4/2001 Florance D30/160
- 6,524,272 B1 * 2/2003 Berry, Sr. A61J 7/0046
604/77
- D493,941 S * 8/2004 Shecter 426/104
- D736,572 S * 8/2015 Trumbo D7/401.2

(Continued)

OTHER PUBLICATIONS

“Munchkin Fresh Food Feeder”. Found online Aug. 24, 2015 at amazon.com. Page dated Nov. 17, 2005. Retrieved from http://www.amazon.com/Munchkin-Fresh-Food-Feeder-Green/dp/B0009ET93Q/ref=cm_cr_pr_product_top?ie=UTF8.*

(Continued)

Primary Examiner — Robert M Spear

Assistant Examiner — Kendra L Hamilton

(74) *Attorney, Agent, or Firm* — Abel Law Group, LLP

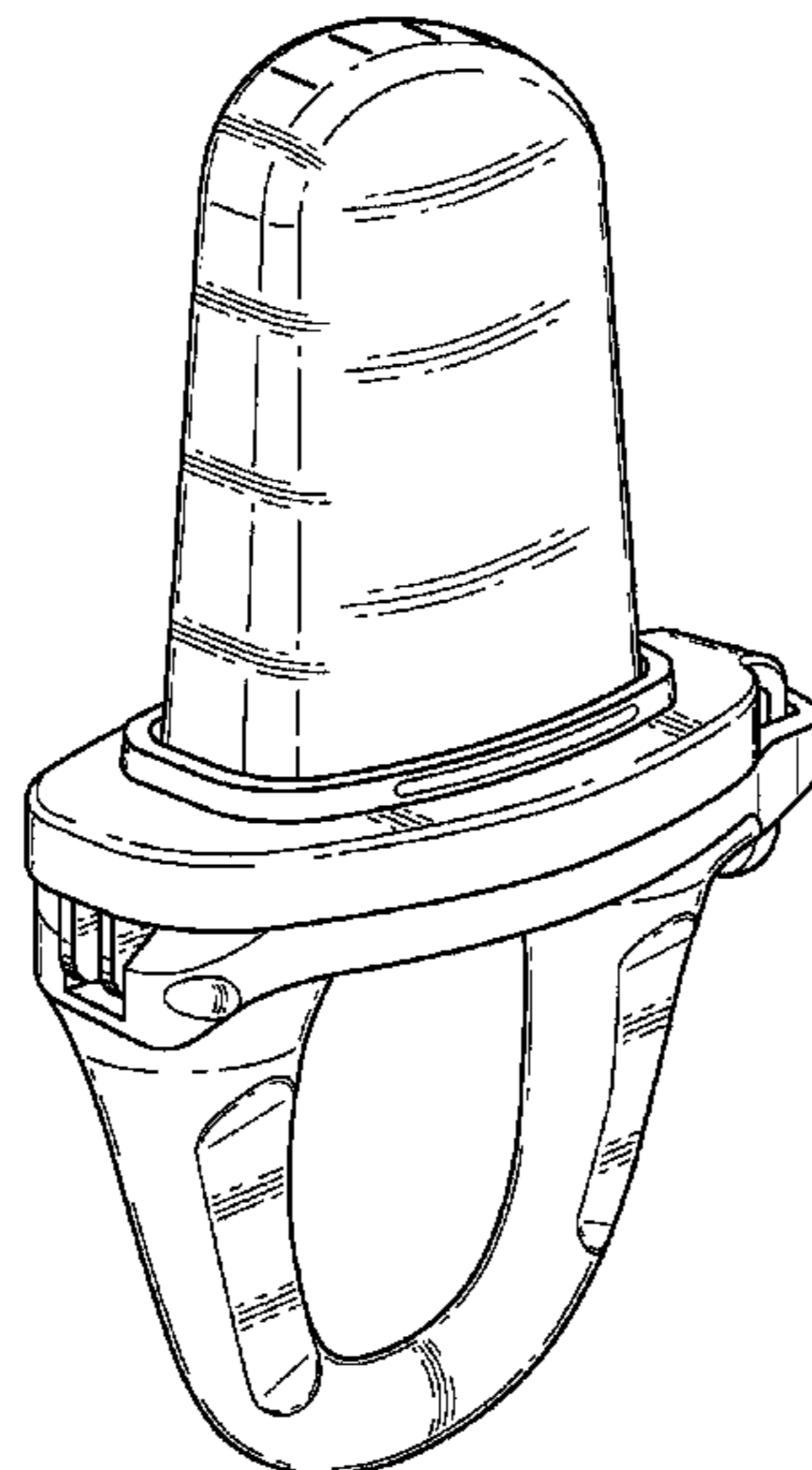
(57) **CLAIM**

The ornamental design for a teething device, as shown and described.

DESCRIPTION

FIG. 1 is a top front perspective view of a teething device incorporating my ornamental design;
FIG. 2 is a bottom rear perspective view of the teething device of FIG. 1;
FIG. 3 is a rear view of the teething device of FIG. 1;
FIG. 4 is a front view of the teething device of FIG. 1;
FIG. 5 is a right side view of the teething device of FIG. 1;
FIG. 6 is a left side view of the teething device of FIG. 1;
FIG. 7 is a top plan view of the teething device of FIG. 1; and,
FIG. 8 is a bottom plan view of the teething device of FIG. 1.
The broken line showing of elements is included for the purpose of illustrating environmental structure and forms no part of the claimed design.

1 Claim, 6 Drawing Sheets



(56)

References Cited

U.S. PATENT DOCUMENTS

D737,095	S *	8/2015	Trumbo	D7/401.2
D738,171	S *	9/2015	Masalin	D8/10
2003/0014078	A1	1/2003	Robbins		
2003/0018359	A1	1/2003	Tuckey		
2004/0158200	A1 *	8/2004	Berry, Sr.	A61J 7/0046 604/77
2005/0245861	A1 *	11/2005	Dunn	A61J 9/00 604/77
2006/0155332	A1	7/2006	Jewett		
2007/0225638	A1	9/2007	Stewart		
2009/0287247	A1	11/2009	Chipperson et al.		
2011/0029017	A1	2/2011	Shreve		
2013/0085530	A1	4/2013	Caputo		
2014/0074165	A1 *	3/2014	Paxson	A61J 17/02 606/235

OTHER PUBLICATIONS

“Sassy Teething Feeder”. Found online Aug. 24, 2015 at amazon.com. Page dated Jul. 10, 2007. Retrieved from http://www.amazon.com/Sassy-Teething-Feeder-Discontinued-Manufacturer/dp/B00014PLGS/ref=cm_cr_pr_product_top?ie=UTF8.*

“The First Years John Deere Massaging Corn Teether”. Found online Aug. 24, 2015 at amazon.com. Page dated Jul. 17, 2008. Retrieved from http://www.amazon.com/The-First-Years-Massaging-Teether/dp/B0013FCBJO/ref=cm_cr_pr_product_top?ie=UTF8.*

International Search Report & Written Opinion dated Jan. 2, 2015, with regard to International Application No. PCT/US2014/057215 (5 pgs).

Akachan Boon Pulp Feeder, 2003-2012, 4 pgs.

Annabel Karmel “Mini Ice Lolly Set”, 1 pg.

Technical Search, Jul. 18, 2013, 2 pgs.

Patent Application No. PCT/US14/57215, filed Sep. 24, 2014.

U.S. Appl. No. 14/398,636, filed Nov. 3, 2014.

* cited by examiner

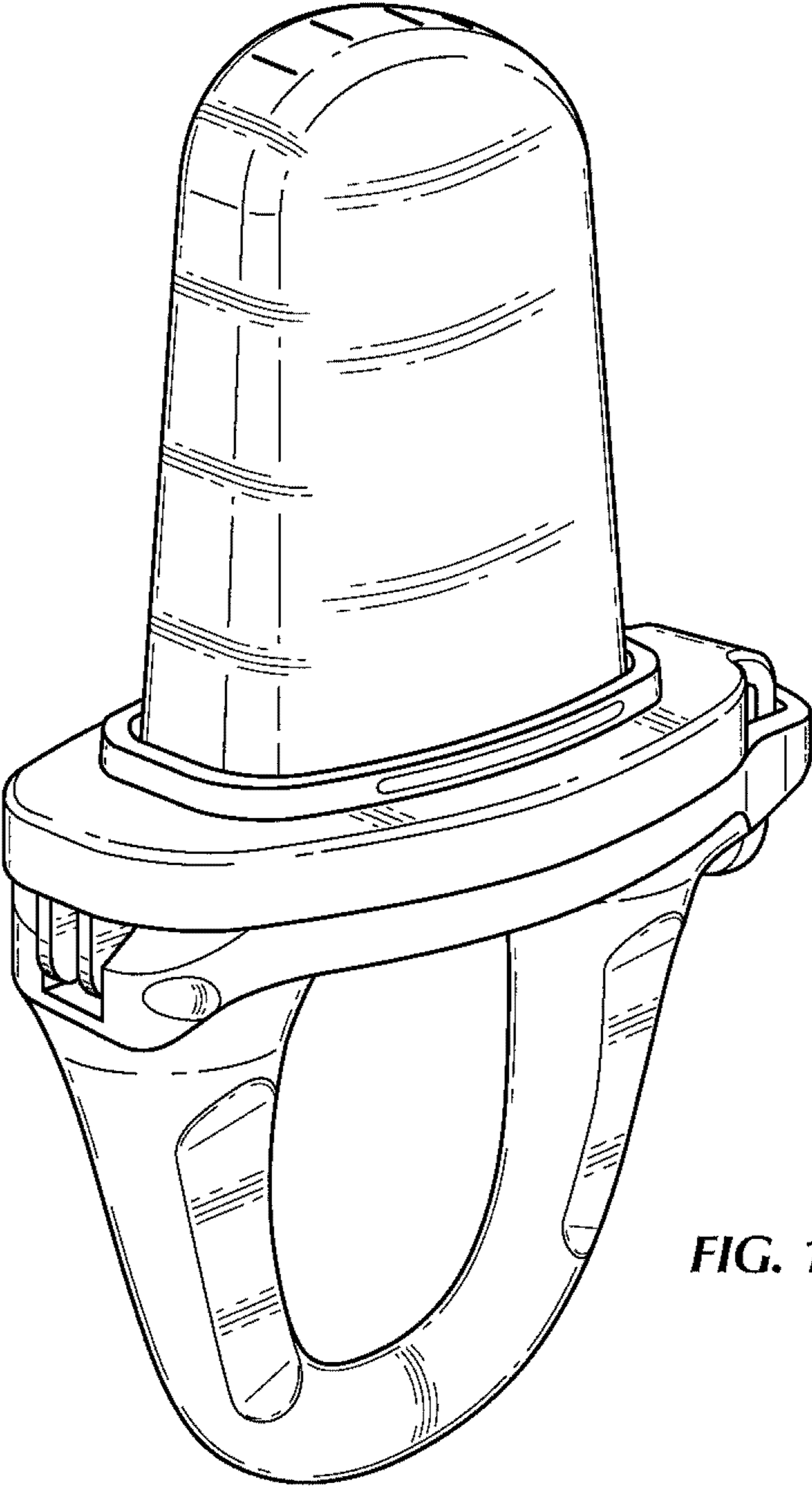


FIG. 1

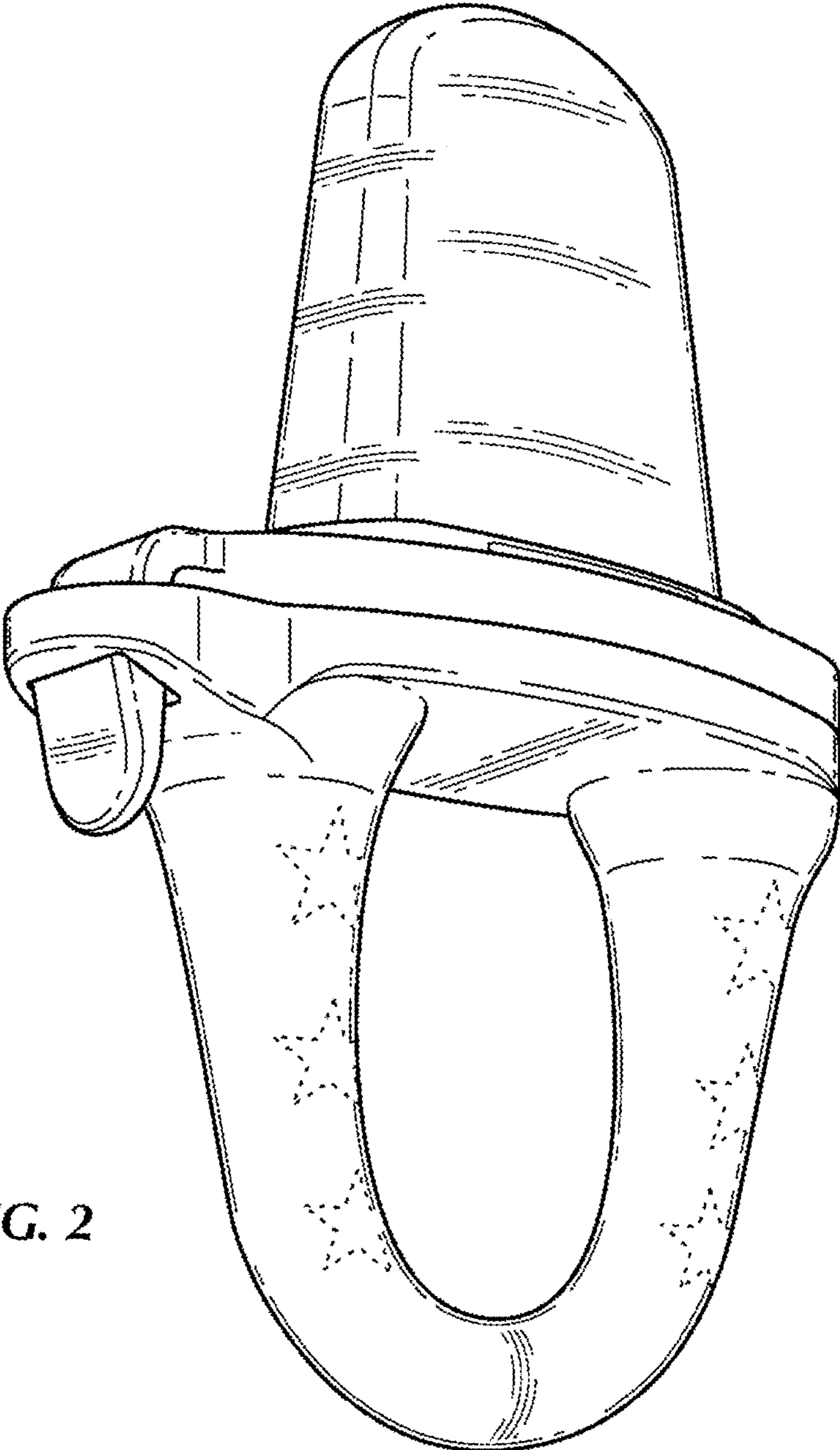


FIG. 2

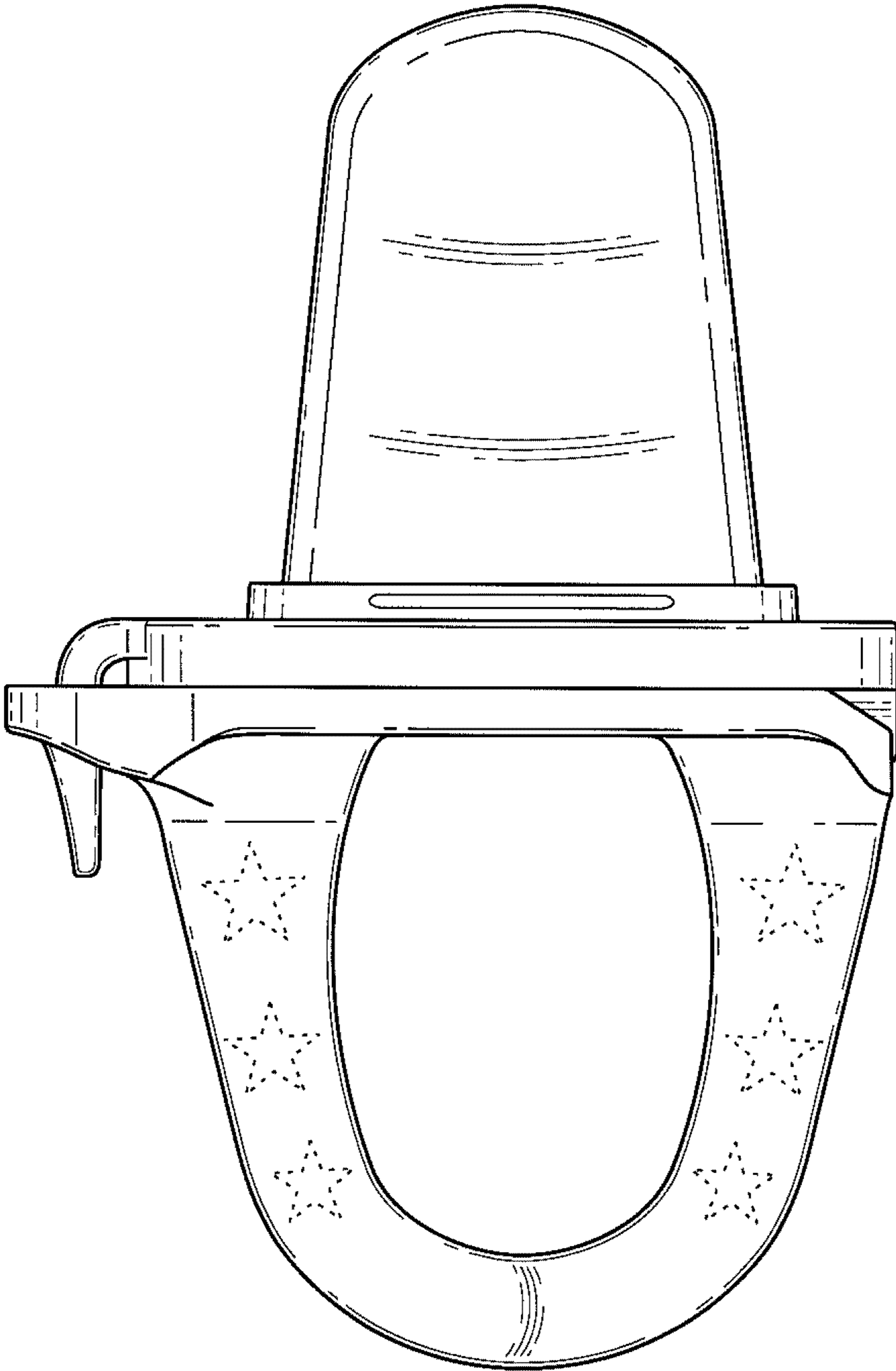


FIG. 3

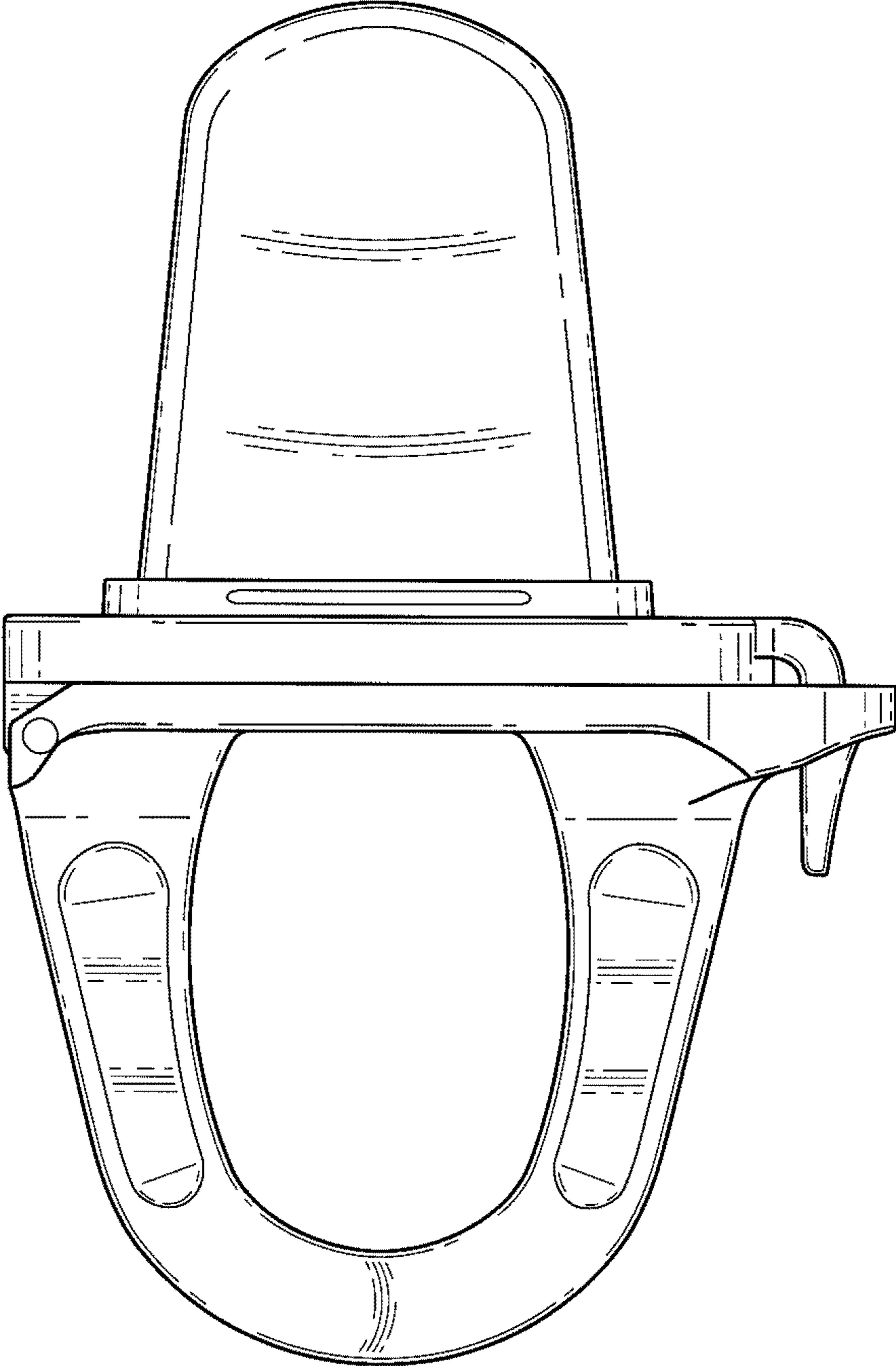


FIG. 4

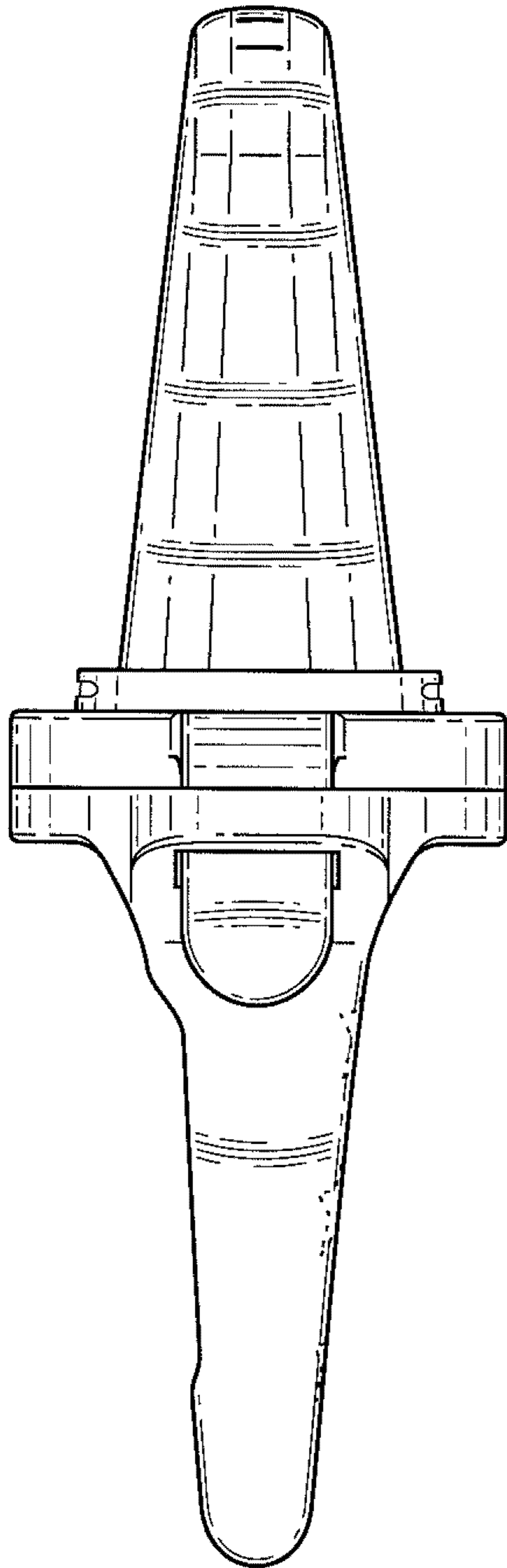


FIG. 5

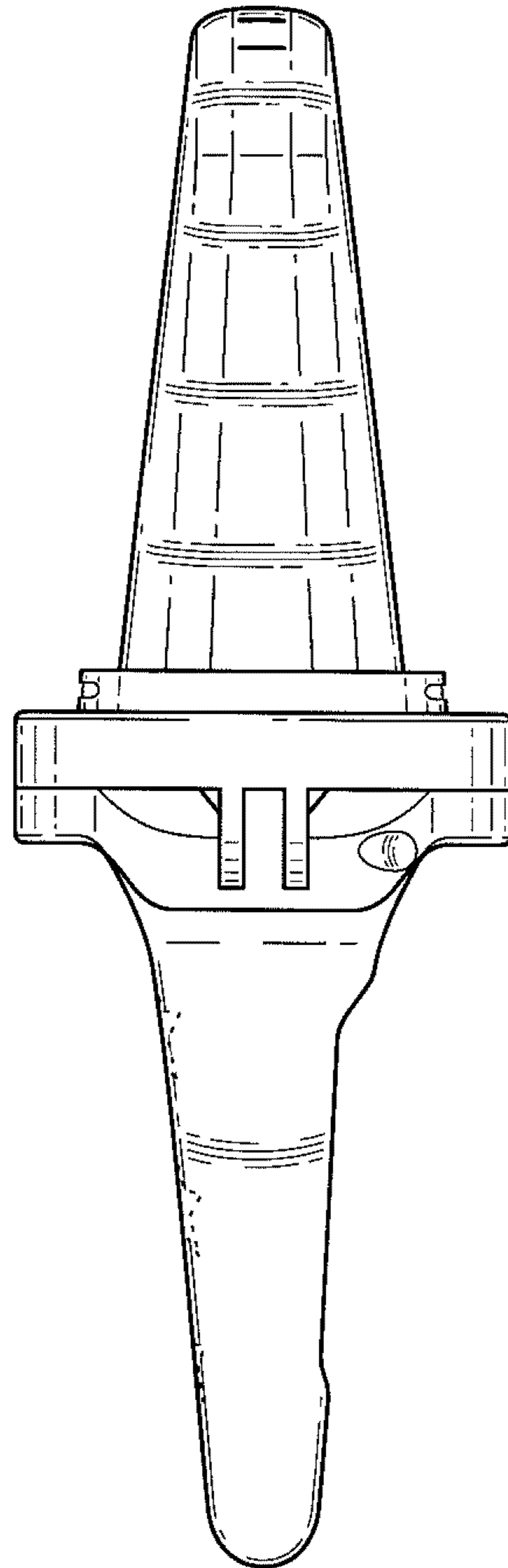


FIG. 6

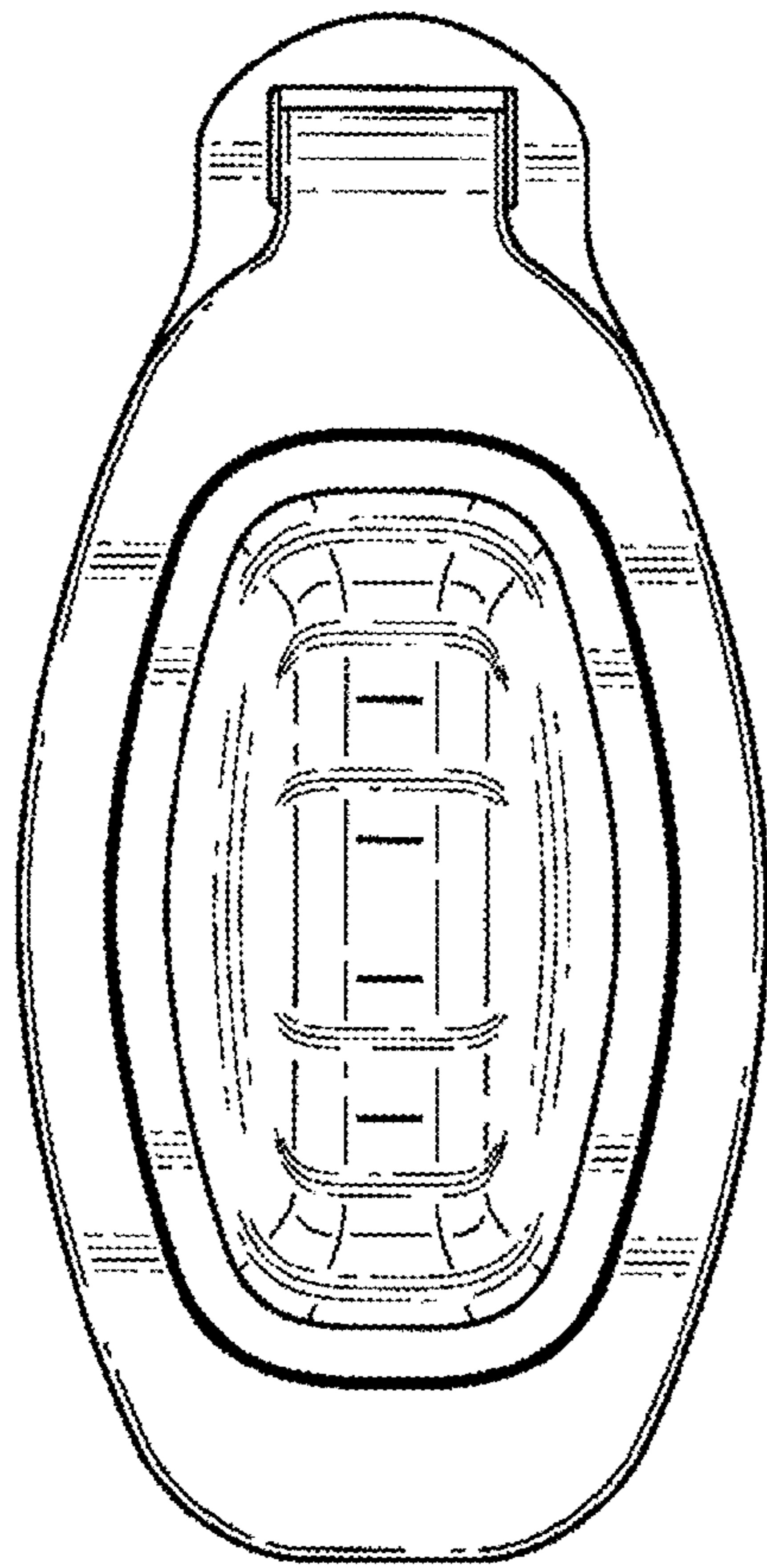


FIG. 7

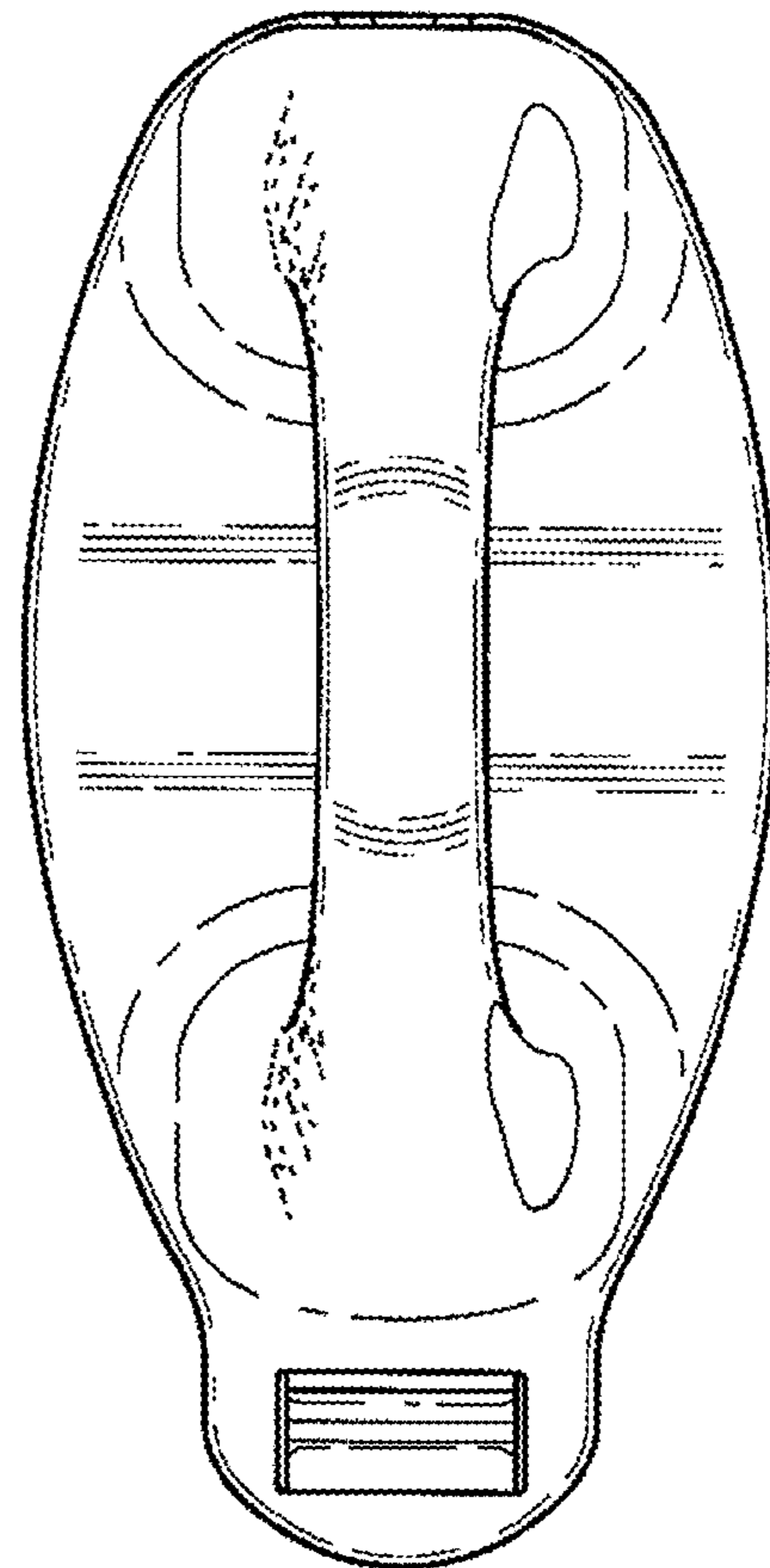


FIG. 8