



US00D755396S

(12) **United States Design Patent**
Rechberg

(10) **Patent No.:** **US D755,396 S**

(45) **Date of Patent:** **** May 3, 2016**

(54) **DIAGNOSTIC APPARATUS**

(71) Applicant: **VE Valley Electronics GmbH**, Murnau (DE)

(72) Inventor: **Hubertus Rechberg**, Murnau (DE)

(73) Assignee: **VE Valley Electronics GmbH**, Murnau (DE)

(**) Term: **14 Years**

(21) Appl. No.: **29/509,846**

(22) Filed: **Nov. 21, 2014**

(30) **Foreign Application Priority Data**

May 21, 2014 (WO) 815078401
Aug. 26, 2014 (WO) 835413501

(51) **LOC (10) Cl.** **24-01**

(52) **U.S. Cl.**
USPC **D24/186**

(58) **Field of Classification Search**
USPC D24/167, 186; D11/3; D10/30-39, 65, D10/70, 78, 97, 98, 103; D13/173-177; D14/203.5, 247, 338-340, 344, 346, D14/347
CPC G08G 1/096883; G08G 1/096872; G08G 1/096775; G01C 21/16; G01C 21/3688; G01C 21/30; G01V 8/20; G01J 5/023; G01J 5/24; A61B 5/4824; A61B 5/483
See application file for complete search history.

(56) **References Cited**

U.S. PATENT DOCUMENTS

D290,397 S * 6/1987 Starkey D10/71
5,149,505 A * 9/1992 English B01L 3/502
422/547

D407,825 S * 4/1999 Childs D24/223
D431,867 S * 10/2000 Maynard D24/216
D598,551 S * 8/2009 Miwa D24/186
D603,519 S * 11/2009 Tavidian D24/186
D612,503 S * 3/2010 Johnston D24/186
D675,336 S * 1/2013 Laverack D24/223
D678,530 S * 3/2013 Khan D24/186
D697,625 S * 1/2014 Montgomery D24/186
D720,466 S * 12/2014 Edding D24/216
D739,037 S * 9/2015 Lin D24/216

* cited by examiner

Primary Examiner — Zenia Bennett

(74) *Attorney, Agent, or Firm* — Wolf, Greenfield & Sacks, P.C.

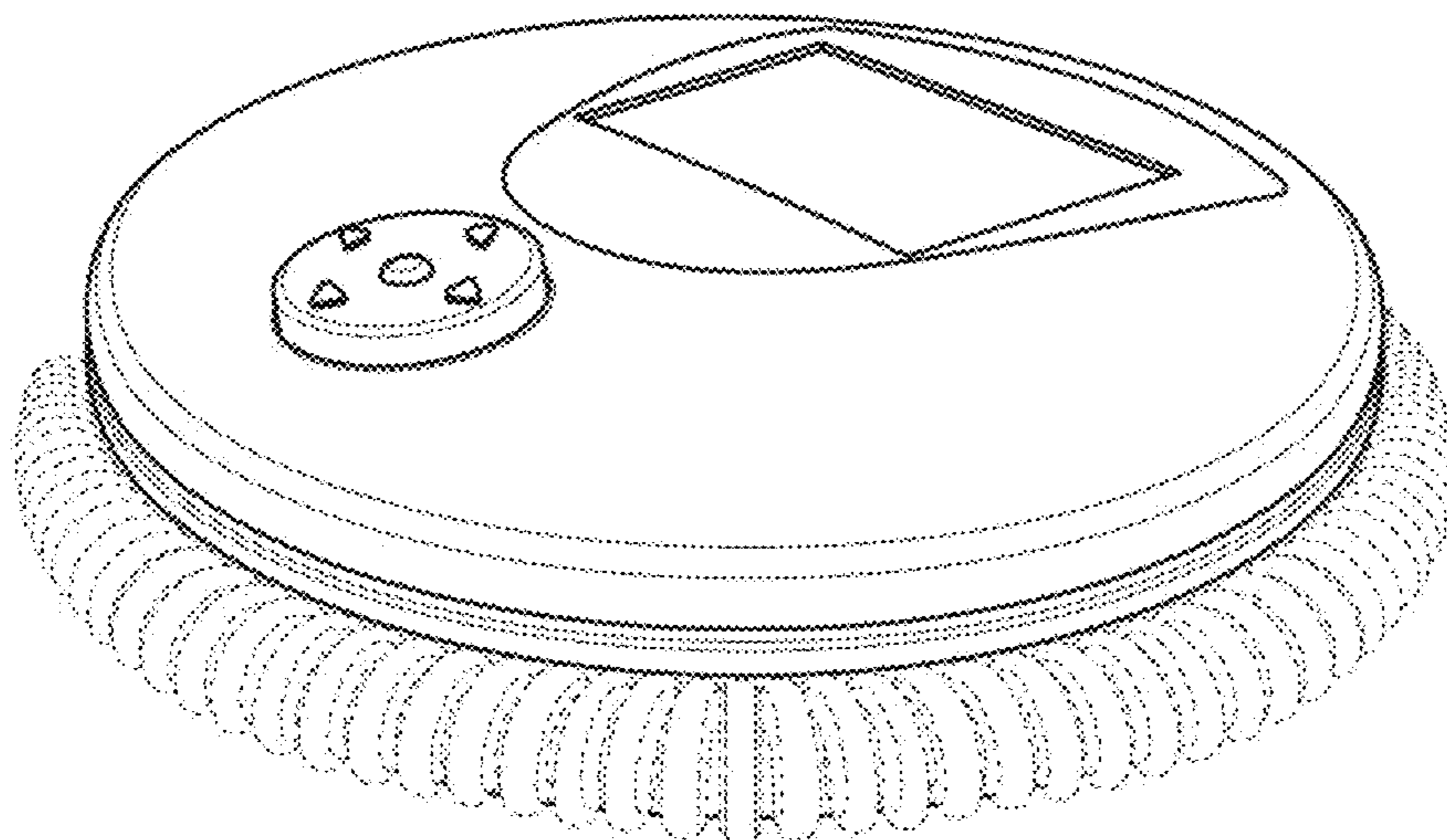
(57) **CLAIM**

The ornamental design for a diagnostic apparatus, as shown and described.

DESCRIPTION

FIG. 1 is a top plan view of the diagnostic apparatus;
FIG. 2 is a front perspective view of the diagnostic apparatus shown in FIG. 1;
FIG. 3 is a right-side perspective view of the diagnostic apparatus shown in FIG. 1;
FIG. 4 is another right-side perspective view of the diagnostic apparatus shown in FIG. 1;
FIG. 5 is a rear perspective view of the diagnostic apparatus shown in FIG. 1;
FIG. 6 is a left-side perspective view of the diagnostic apparatus shown in FIG. 1; and,
FIG. 7 is a bottom plan view of the diagnostic apparatus shown in FIG. 1.
The broken lines of FIGS. 1-7 illustrate portions of the diagnostic apparatus that form no part of the claimed design.

1 Claim, 7 Drawing Sheets



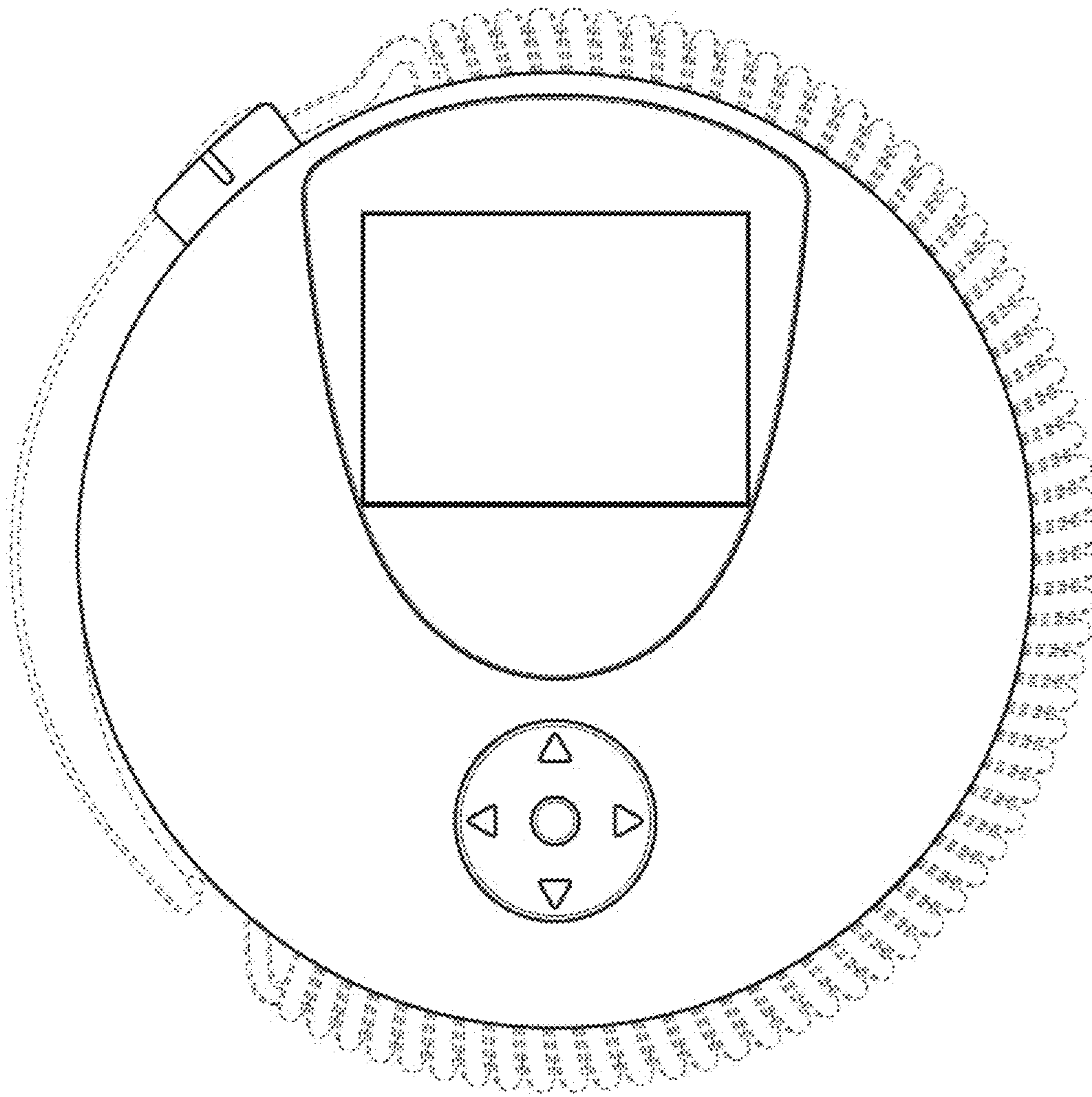


FIG. 1

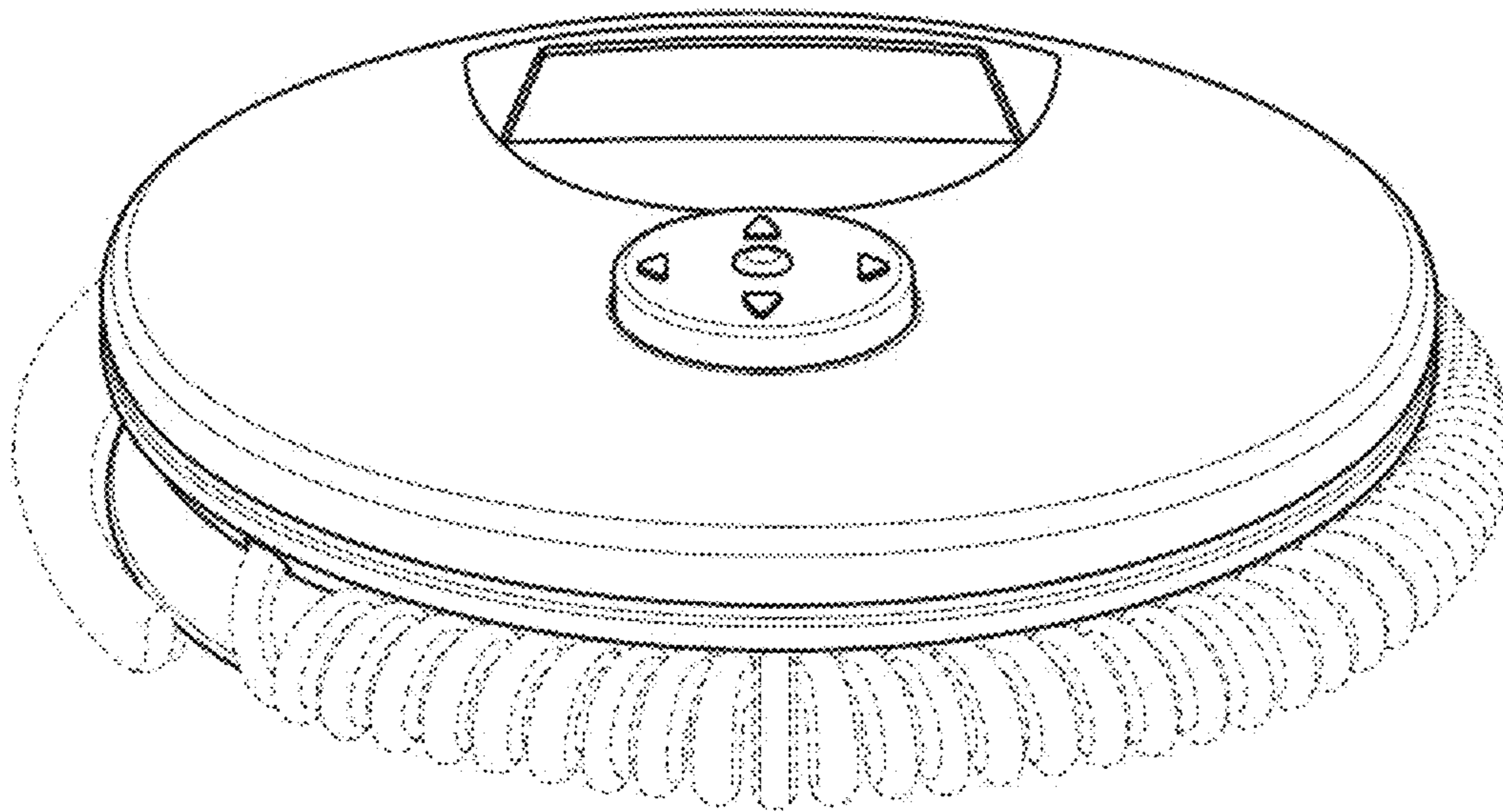


FIG. 2

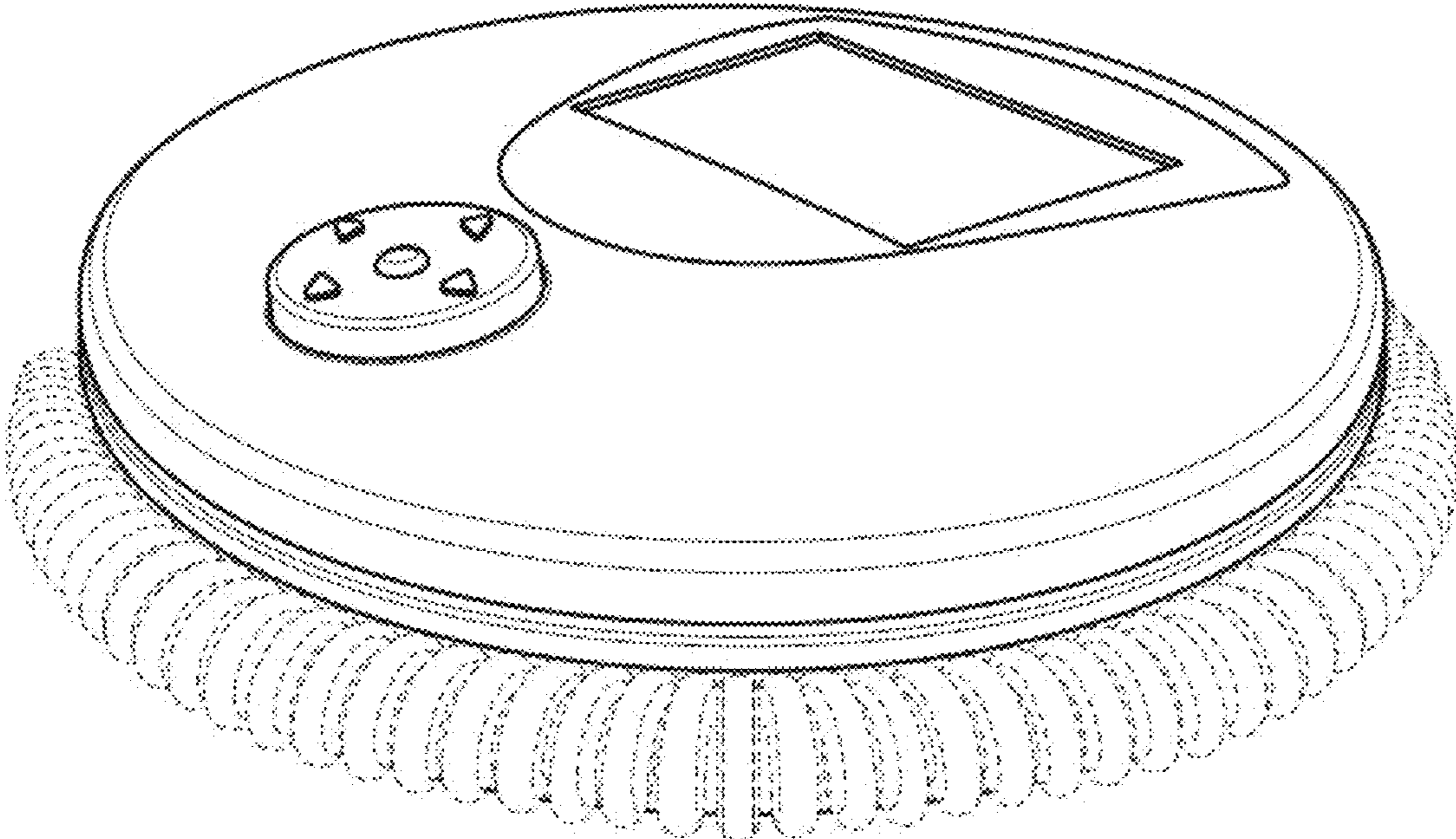


FIG. 3

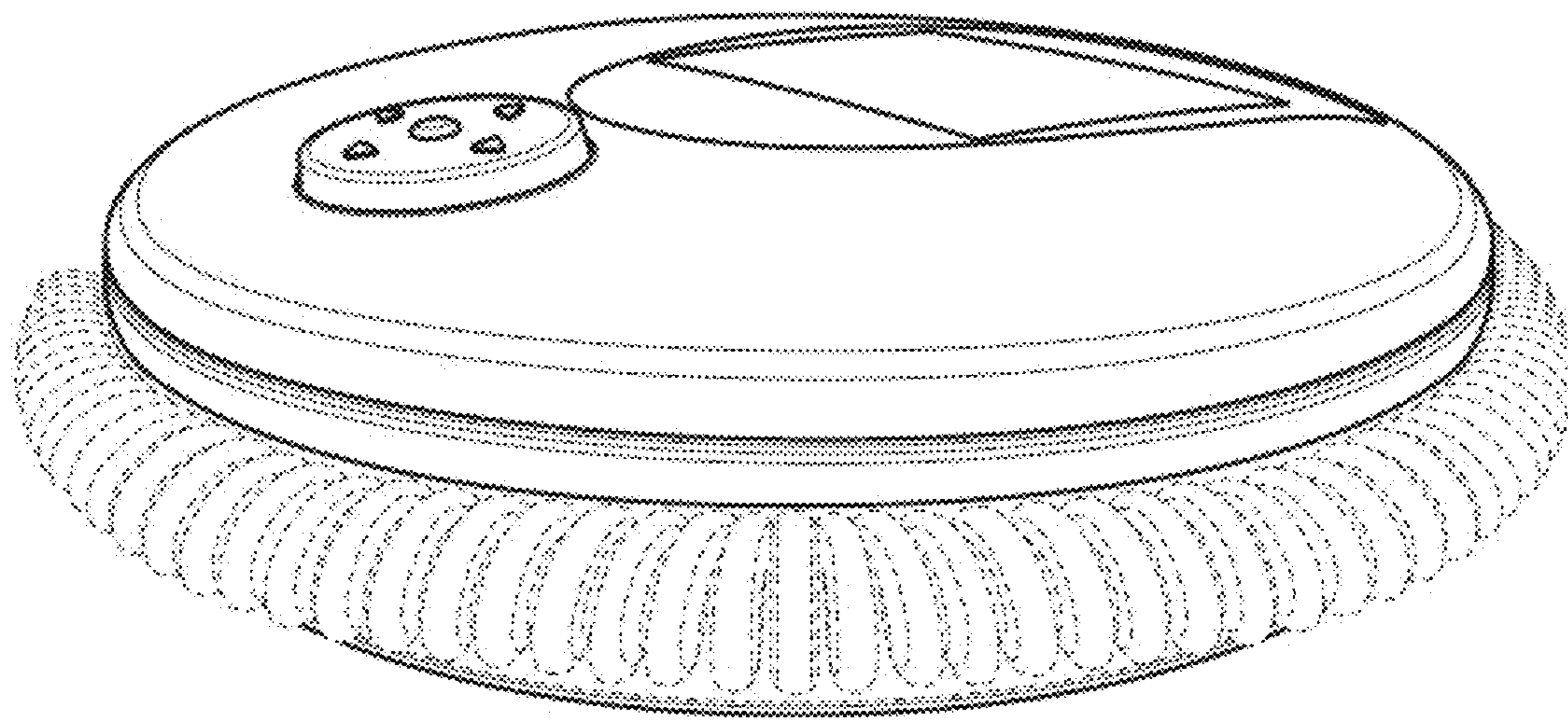


FIG. 4

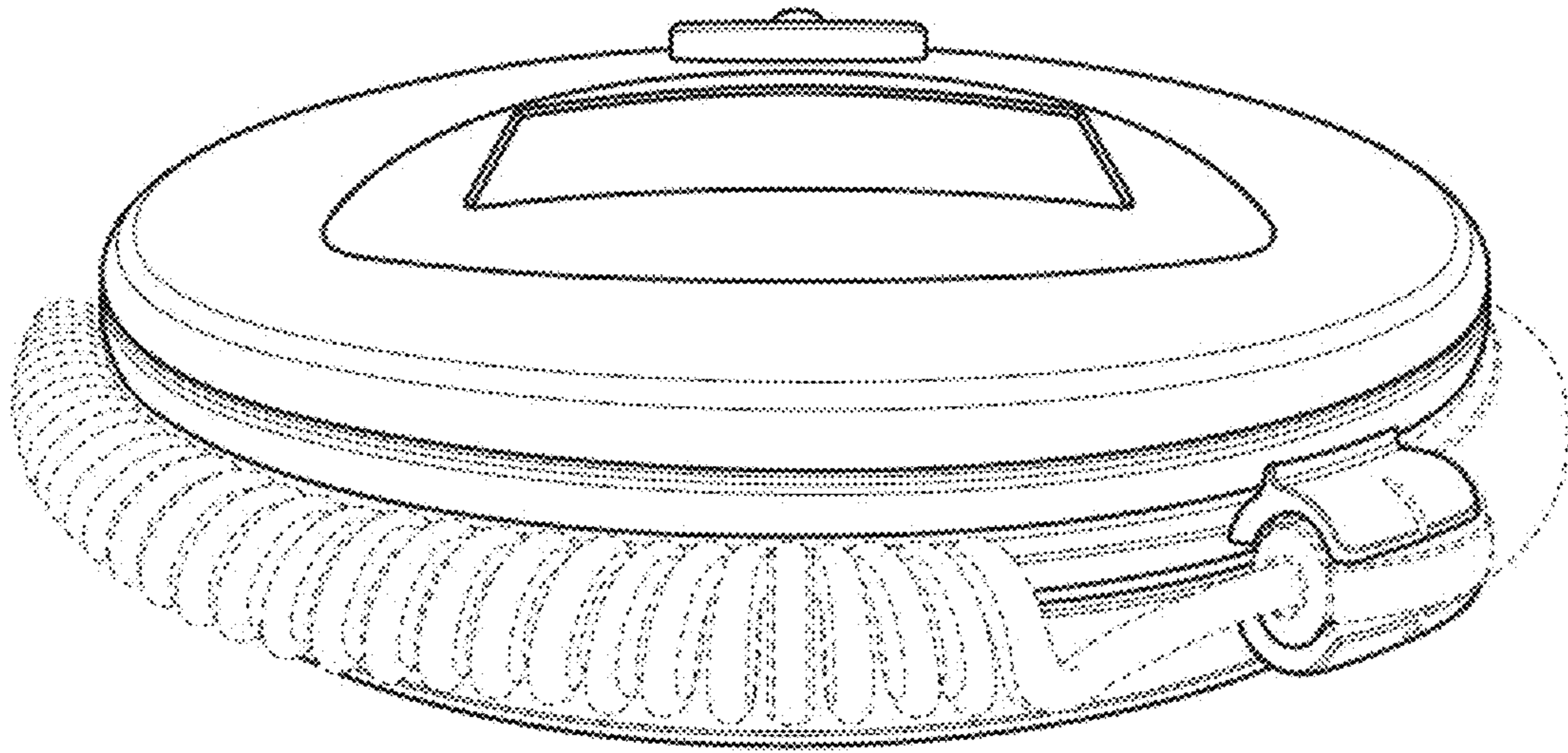


FIG. 5

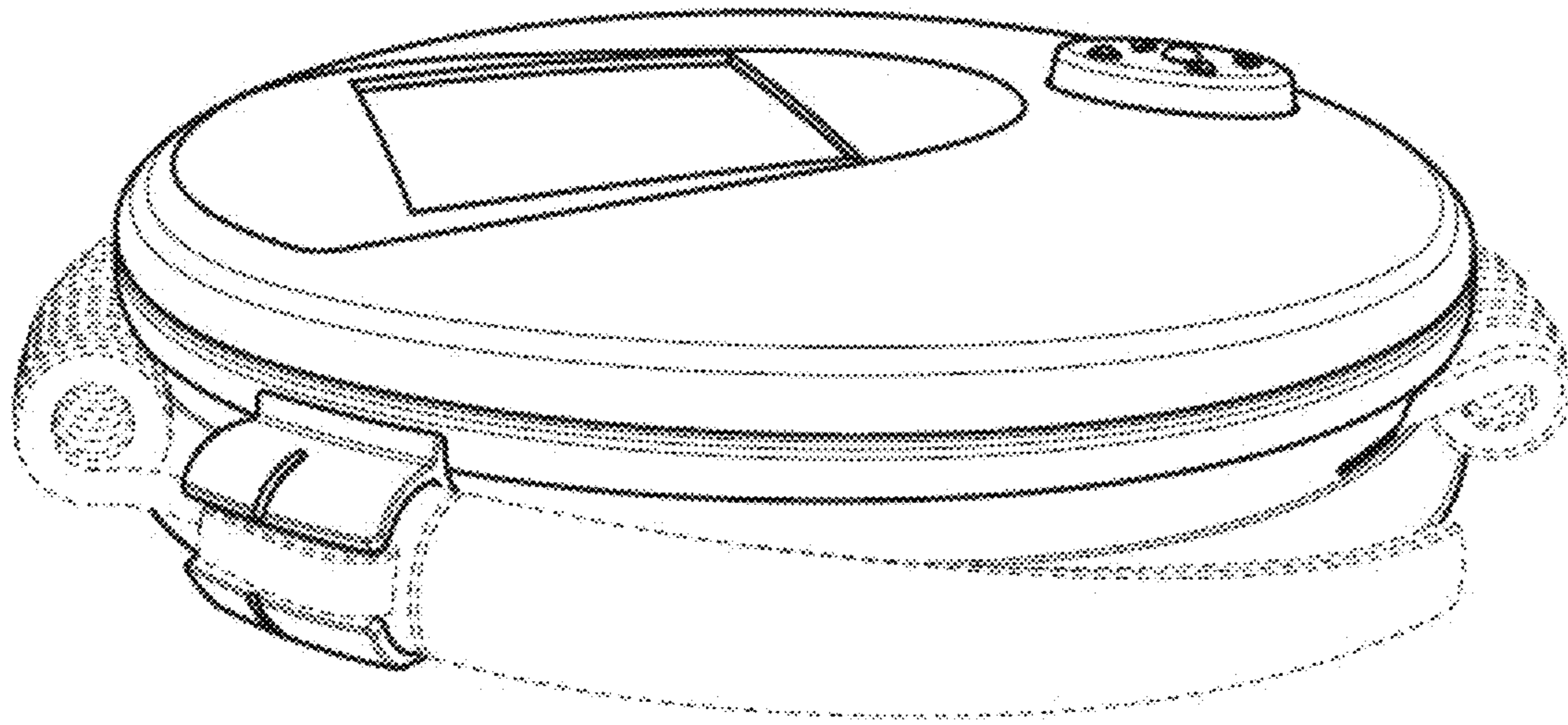


FIG. 6

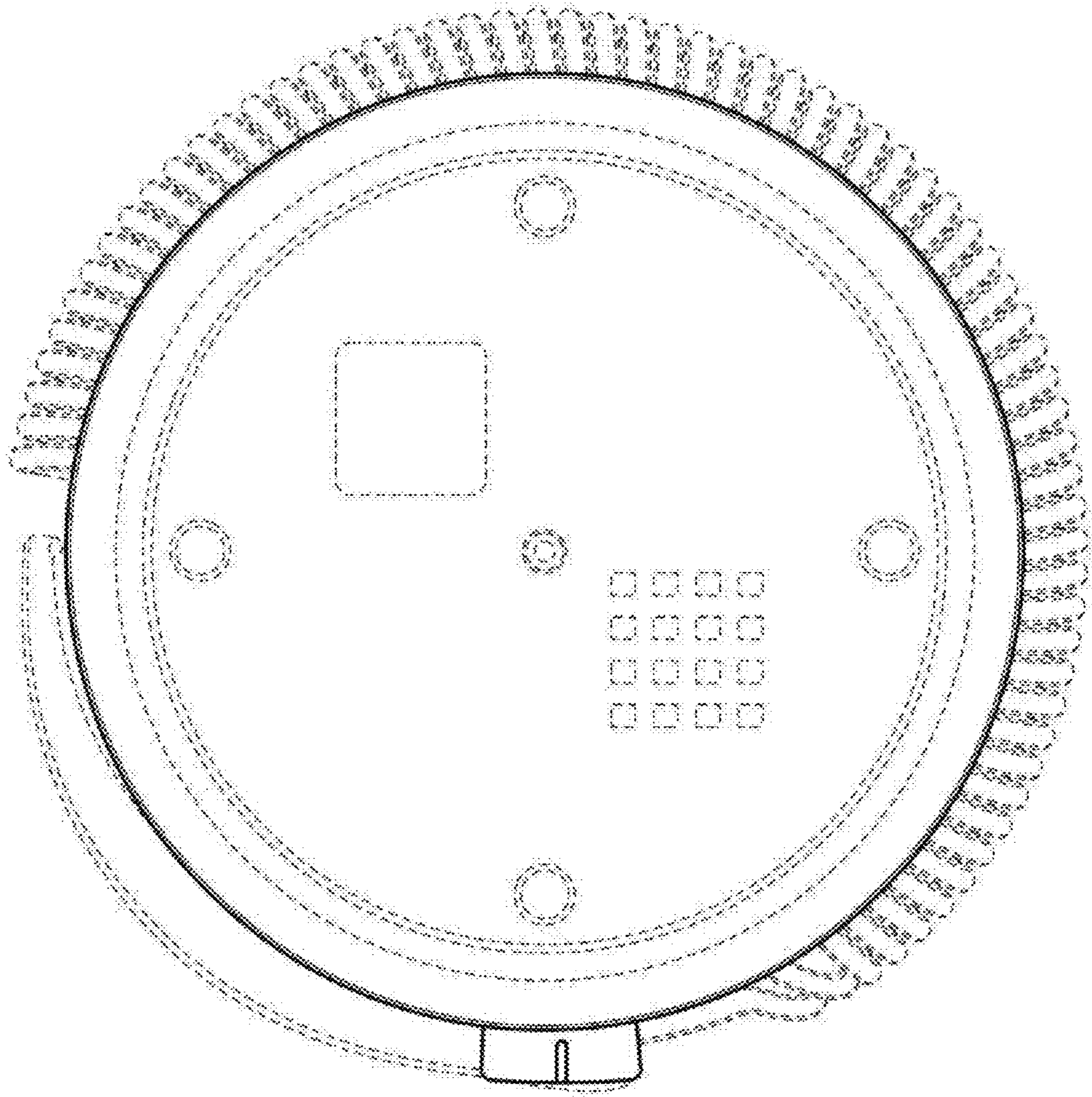


FIG. 7