



US00D755394S

(12) **United States Design Patent**
Collins

(10) **Patent No.:** **US D755,394 S**

(45) **Date of Patent:** **** May 3, 2016**

(54) **CONTOURED DISPLAY AND BEZEL IN COMBINATION**

(71) Applicant: **DEKA Products Limited Partnership**,
Manchester, NH (US)

(72) Inventor: **David E. Collins**, Groveland, MA (US)

(73) Assignee: **DEKA Products Limited Partnership**,
Manchester, NH (US)

(**) Term: **14 Years**

(21) Appl. No.: **29/493,107**

(22) Filed: **Jun. 5, 2014**

(51) **LOC (10) Cl.** **24-01**

(52) **U.S. Cl.**
USPC **D24/169**

(58) **Field of Classification Search**
USPC D24/169, 186, 107, 108, 111, 216, 219,
D24/232; 604/27, 29, 131, 132, 140, 141,
604/146, 6.01–6.05, 6.11, 6.13–6.16, 151;
D14/371

CPC A61M 1/28; A61M 1/281; A61M 1/282;
A61M 1/3621; A61M 2205/12
See application file for complete search history.

(56) **References Cited**

U.S. PATENT DOCUMENTS

D308,249 S *	5/1990	Buckley	D24/169
D341,890 S *	11/1993	Sievert	D24/169
D351,470 S *	10/1994	Scherer	D24/169
5,628,908 A *	5/1997	Kamen	A61M 1/28 210/180
D393,314 S *	4/1998	Meisner	D24/169
D534,275 S *	12/2006	Hayamizu	D24/107
D556,910 S *	12/2007	Reihanifam	D24/169
D609,350 S *	2/2010	Hickey	D24/186
8,512,553 B2 *	8/2013	Cicchello	A61N 1/1694 210/103

8,597,229 B2	12/2013	Pan		
2004/0202561 A1 *	10/2004	Hershberger	A61B 17/32002 417/477.7
2008/0015490 A1 *	1/2008	Hershberger	A61B 17/32002 604/27
2009/0113335 A1 *	4/2009	Sandoe	G06F 19/3406 715/773
2009/0294359 A1	12/2009	Hopping et al.		

OTHER PUBLICATIONS

Ing, Todd S., Mohamed A. Rahman, and Carl M. Kjellstrand, editors. *Dialysis: History, Development, and Promise*. Hackensack, NJ: World Scientific, 2012. 259-269.
Baxter Healthcare Corporation. *Home Choice: HomeChoice PRO APD Systems Patient At-Home Guide*. N.p.: Baxter Healthcare Corporation, 2009: i, sect.-p. 5-8, 5-10, 20-3, 20-5, 20-19.

* cited by examiner

Primary Examiner — Anhdao Doan

(74) *Attorney, Agent, or Firm* — Marc J. Gorayeb

(57) **CLAIM**

The ornamental design for a contoured display and bezel in combination, as shown and described.

DESCRIPTION

FIG. 1 is a front, top, and right side perspective view of the contoured display and bezel in combination, showing the new design;

FIG. 2 is a front side elevational view thereof;

FIG. 3 is a rear side elevational view thereof;

FIG. 4 is a right side elevational view thereof;

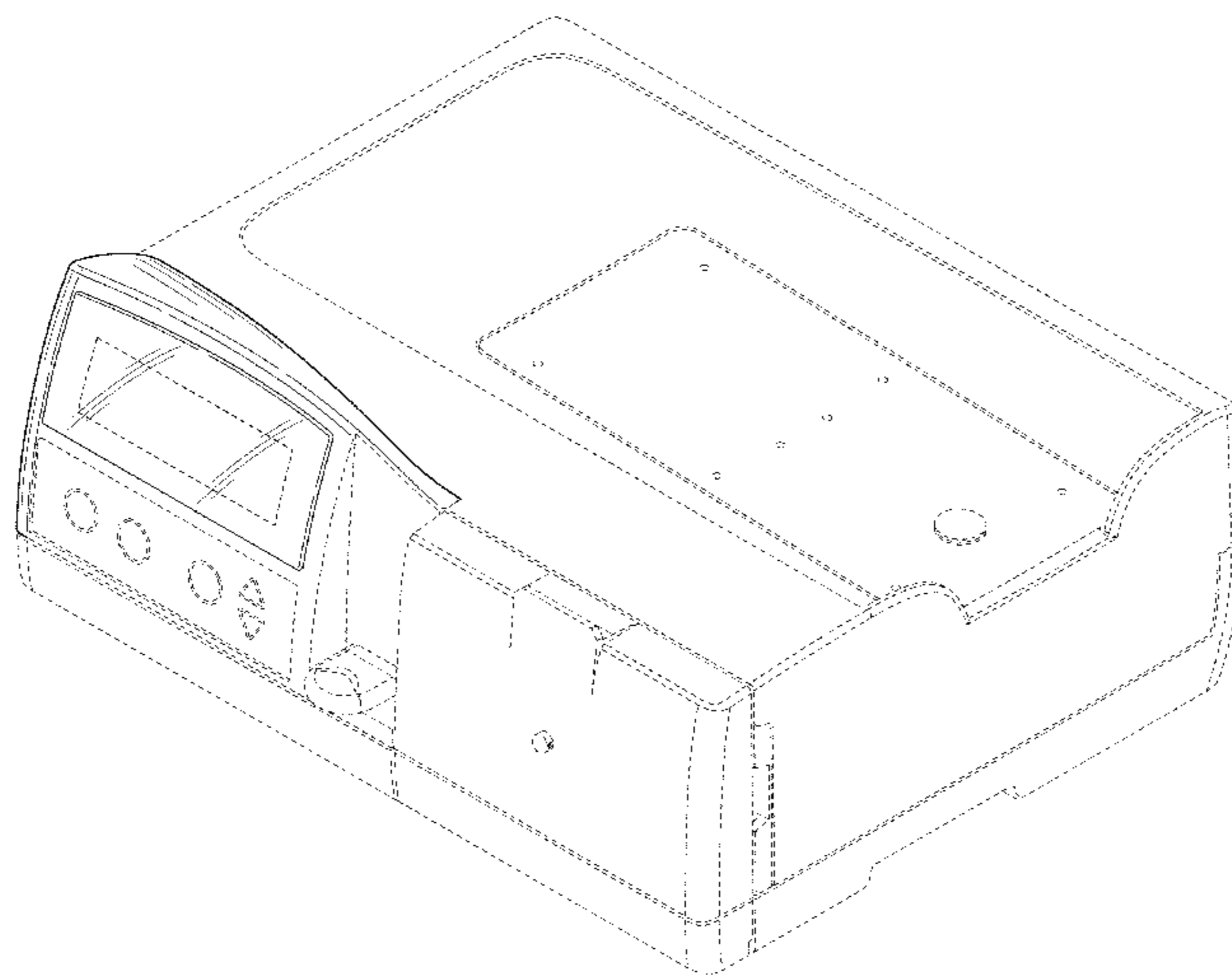
FIG. 5 is a left side elevational view thereof; and

FIG. 6 is a top plan view thereof; and,

FIG. 7 is a bottom plan view thereof.

The broken lines immediately adjacent to the shaded areas represent the bounds of the claim, and other broken lines represent unclaimed portions of the design. None of the broken lines form a part of the claimed design.

1 Claim, 6 Drawing Sheets



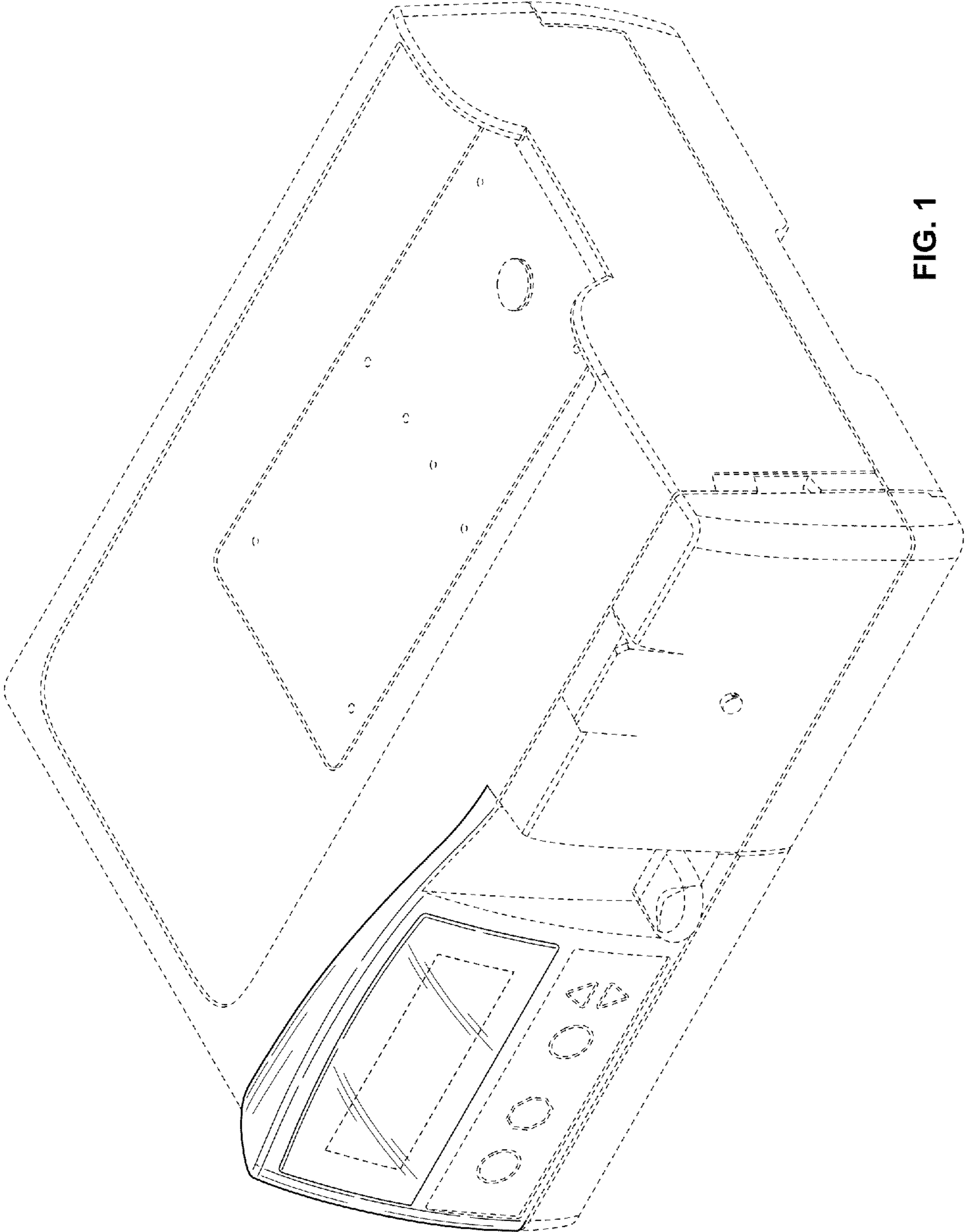


FIG. 1

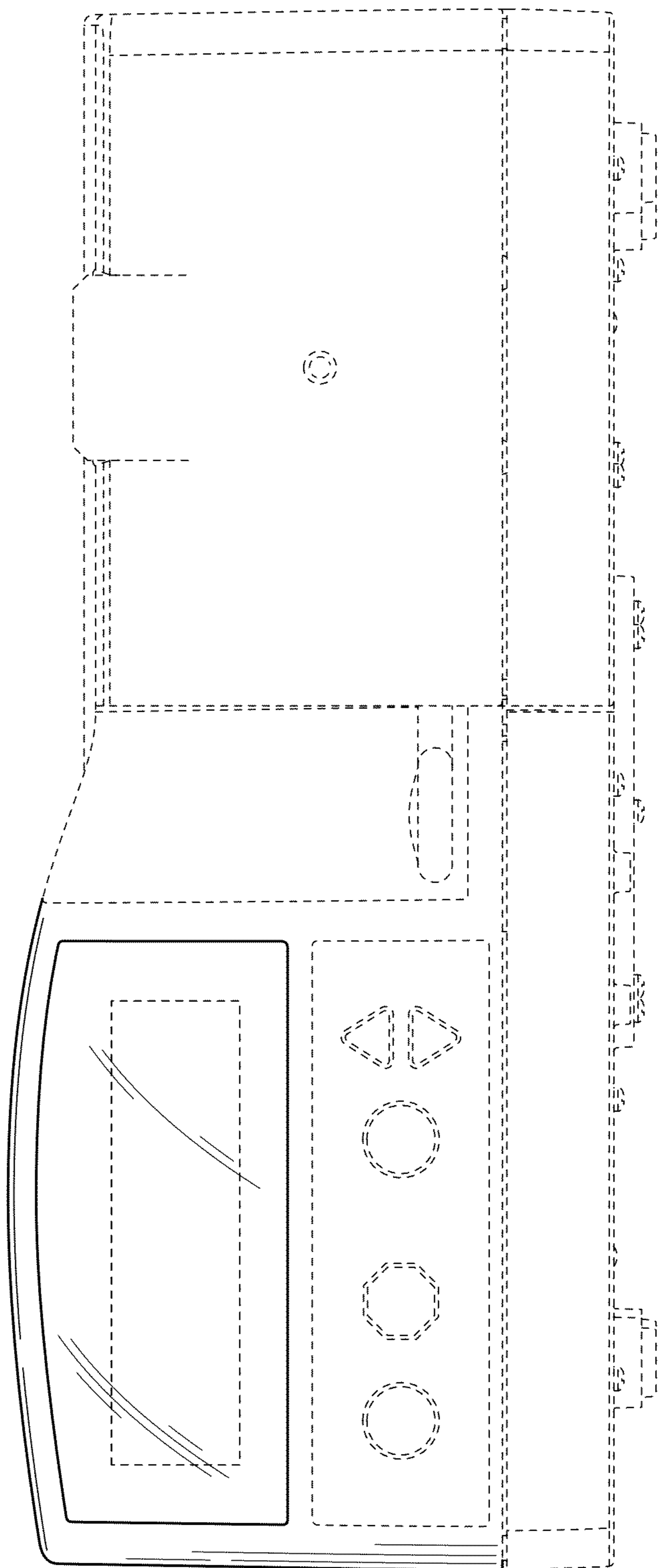


FIG. 2

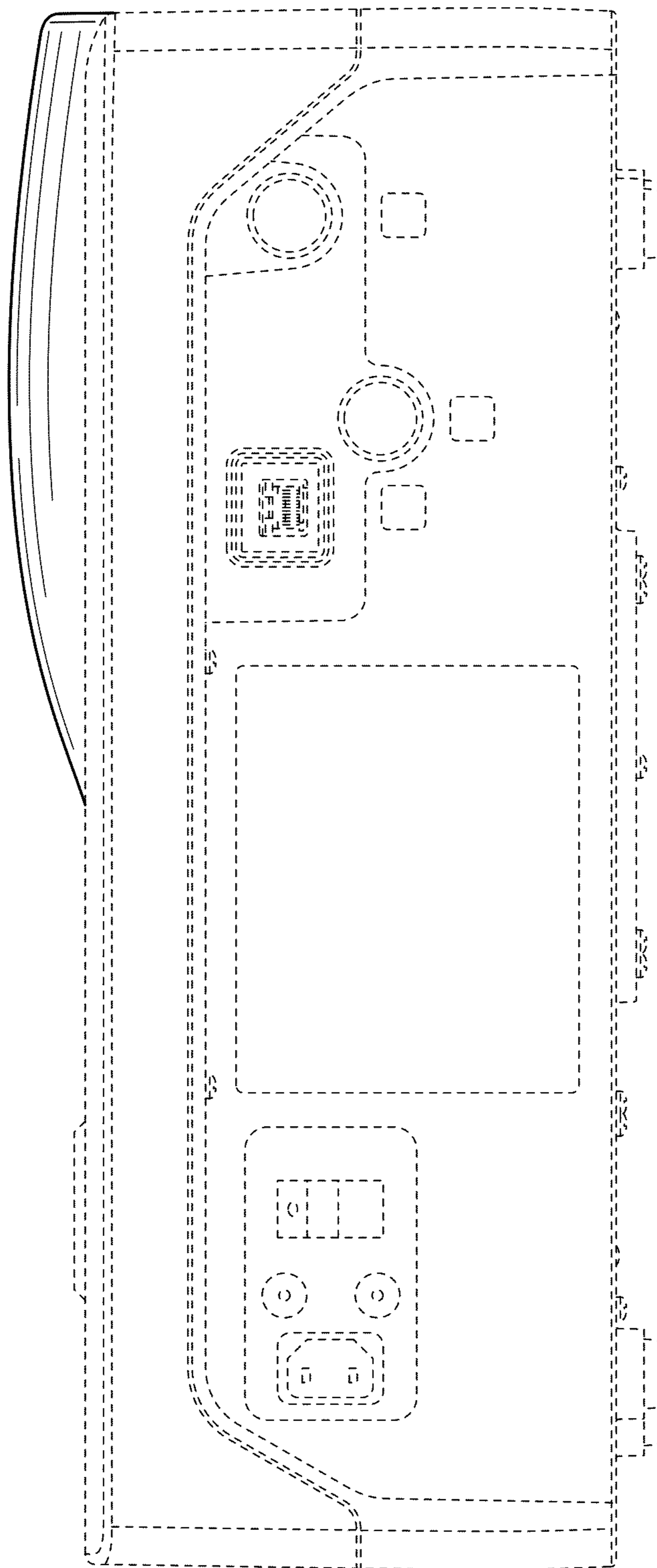


FIG. 3

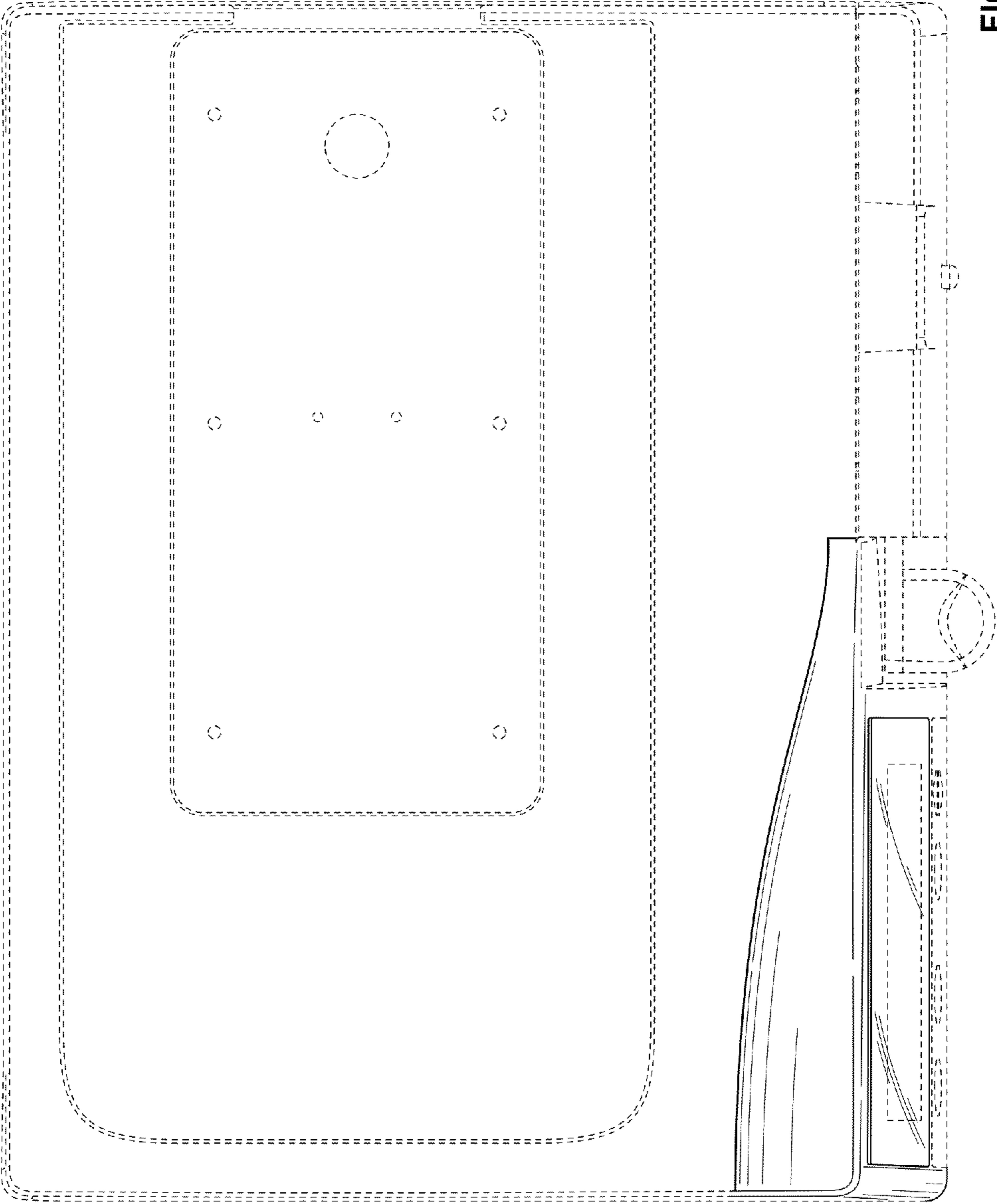


FIG. 6

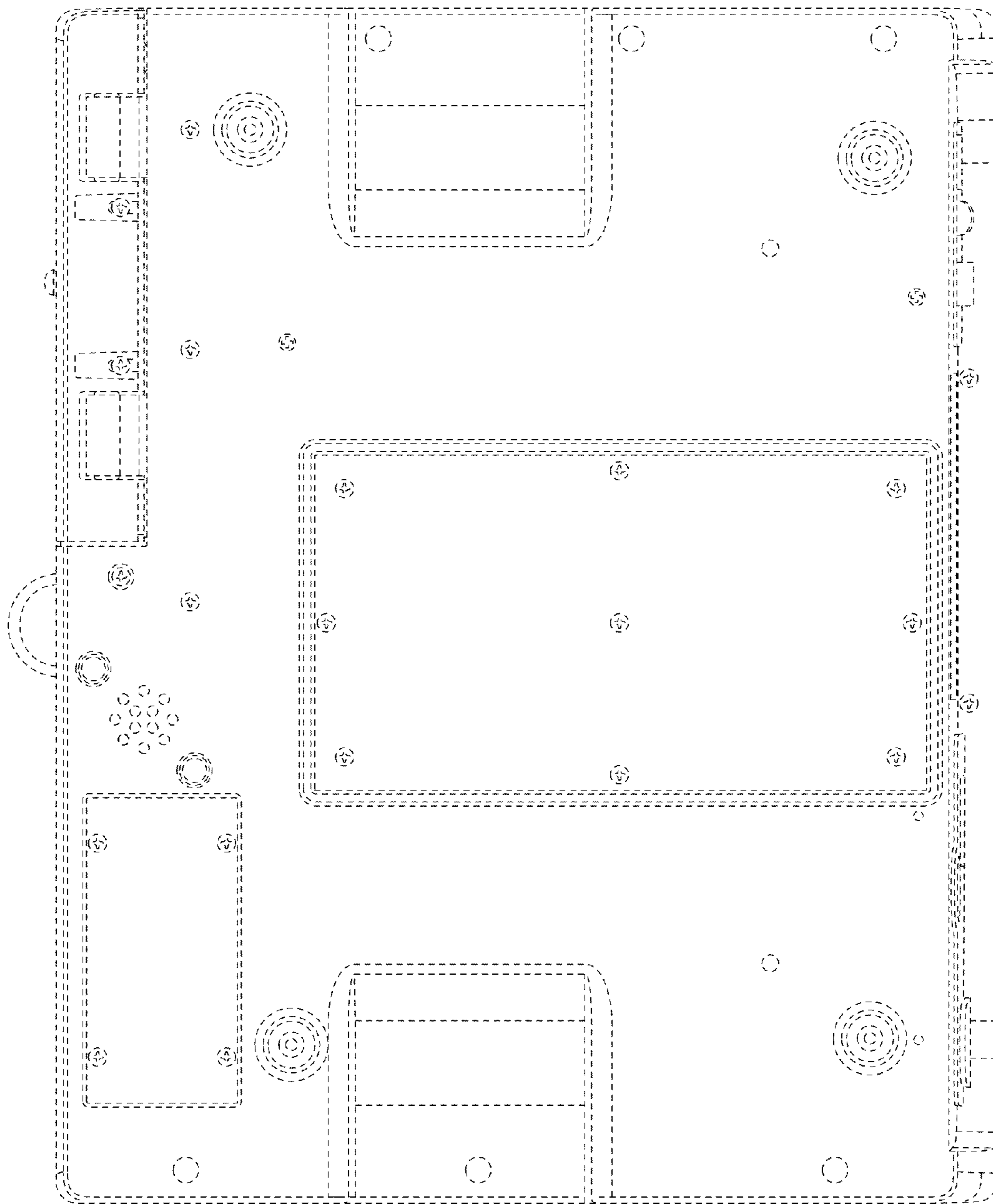


FIG. 7