



US00D755393S

(12) **United States Design Patent**  
**Amsler**

(10) **Patent No.:** **US D755,393 S**

(45) **Date of Patent:** **\*\* May 3, 2016**

(54) **EXTERNAL CASE FOR A WEARABLE MEDICAL DEVICE**

(71) Applicant: **Zoll Medical Corporation**, Chelmsford, MA (US)

(72) Inventor: **Phillip Amsler**, Oakmont, PA (US)

(73) Assignee: **ZOLL MEDICAL CORPORATION**, Chelmsford, MA (US)

(\*\*) Term: **14 Years**

(21) Appl. No.: **29/509,735**

(22) Filed: **Nov. 20, 2014**

(51) **LOC (10) Cl.** ..... **24-01**

(52) **U.S. Cl.**  
USPC ..... **D24/167**

(58) **Field of Classification Search**  
USPC ..... D24/164–168, 186, 187; D3/203.1;  
D10/75  
CPC ..... A61N 1/39; A61N 1/3925; A61N 1/3968;  
A61N 1/3987; A61N 1/3993  
See application file for complete search history.

(56) **References Cited**

**U.S. PATENT DOCUMENTS**

D269,373 S	6/1983	Belt et al.	
D343,901 S	2/1994	Anderson	
6,422,669 B1 *	7/2002	Salvatori	A61N 1/3968 206/320
D494,681 S	8/2004	Mills et al.	
D548,346 S	8/2007	Vaisnys et al.	
D597,211 S	7/2009	Ewing et al.	
D616,993 S	6/2010	Muis et al.	

D643,618 S *	8/2011	Guichet	D3/203.1
D659,836 S	5/2012	Bensch et al.	
D668,037 S *	10/2012	London	D3/203.1
D676,134 S	2/2013	Saevareid et al.	
D690,818 S	10/2013	Pastrick et al.	
D699,430 S *	2/2014	Kantor	D3/203.1
D714,452 S *	9/2014	Koski	D24/169
D717,442 S *	11/2014	Kaib	D24/167
2003/0120311 A1 *	6/2003	Hansen	A61N 1/39 607/5
2010/0241181 A1	9/2010	Savage et al.	

\* cited by examiner

*Primary Examiner* — Anhdao Doan

(74) *Attorney, Agent, or Firm* — The Webb Law Firm

(57) **CLAIM**

The ornamental design for an external case for a wearable medical device, as shown and described.

**DESCRIPTION**

FIG. 1 is a front perspective view of an external case for a wearable medical device in accordance with the present invention;

FIG. 2 is a front side plan view thereof;

FIG. 3 is a rear side plan view thereof;

FIG. 4 is a right side plan view thereof;

FIG. 5 is a left side plan view thereof;

FIG. 6 is a top plan view thereof;

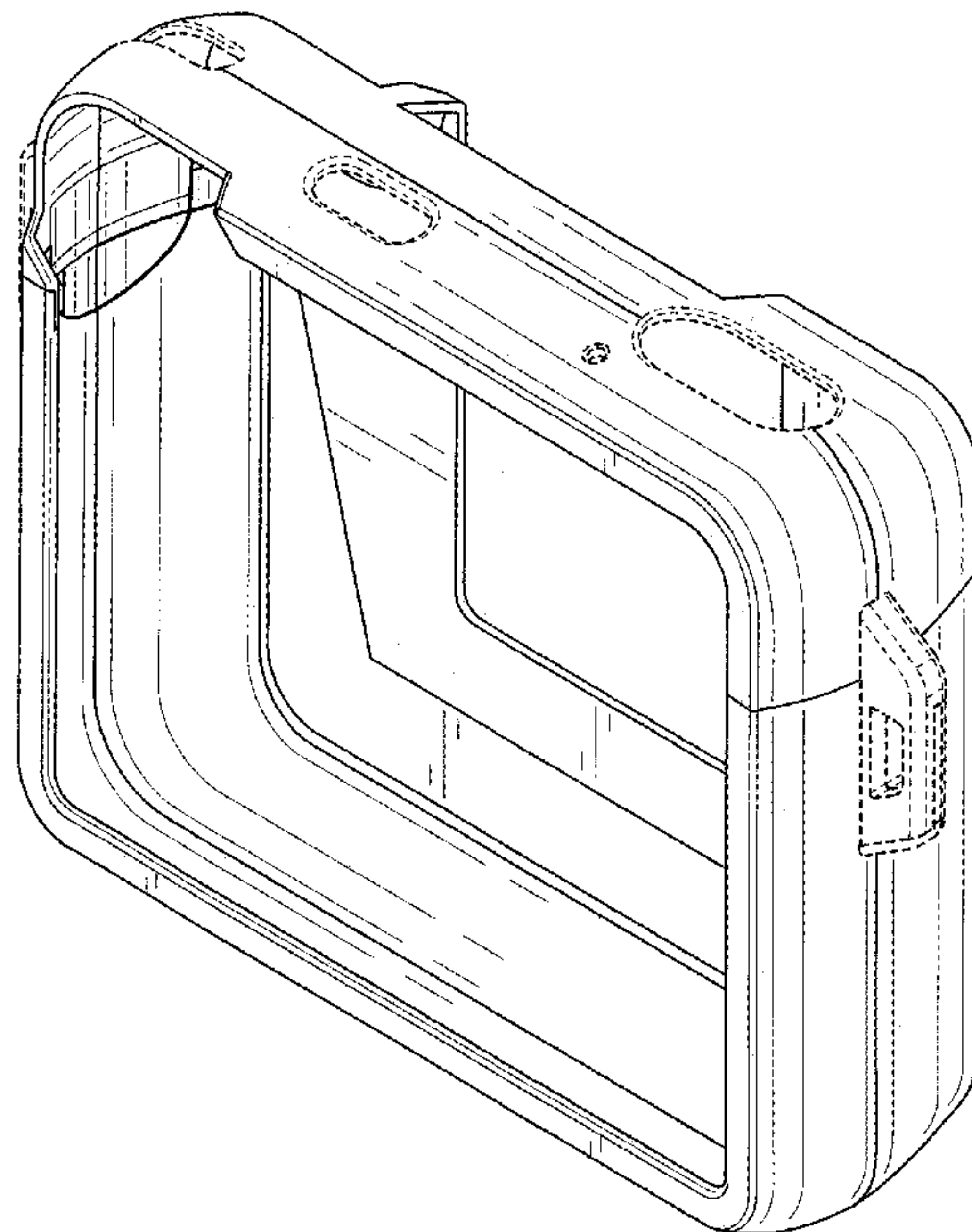
FIG. 7 is a bottom plan view thereof;

FIG. 8 is a front perspective exploded view thereof; and,

FIG. 9 is a rear perspective exploded view thereof.

The broken lines illustrating portions of the external case for a wearable medical device form no part of the claimed design.

**1 Claim, 9 Drawing Sheets**



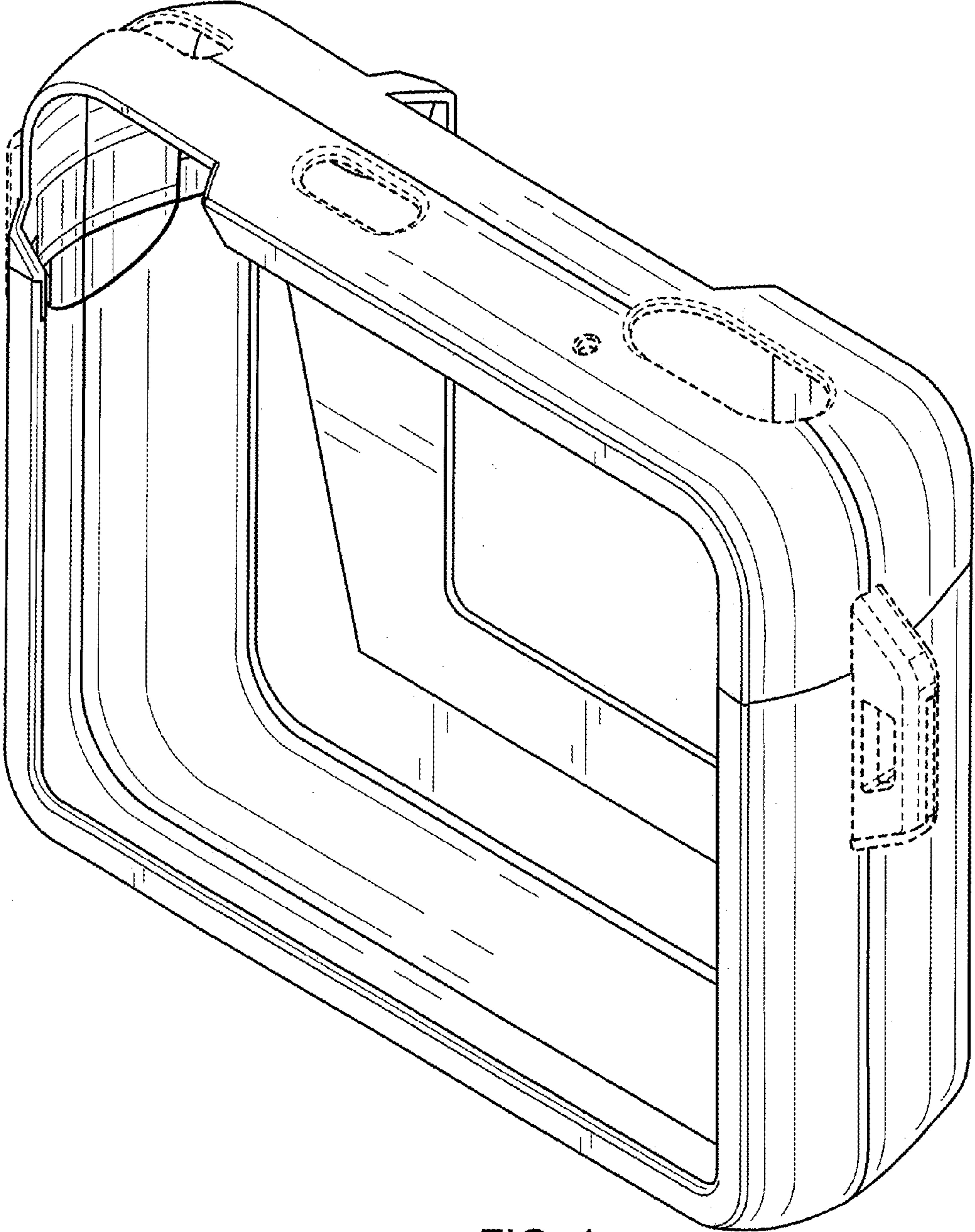


FIG. 1

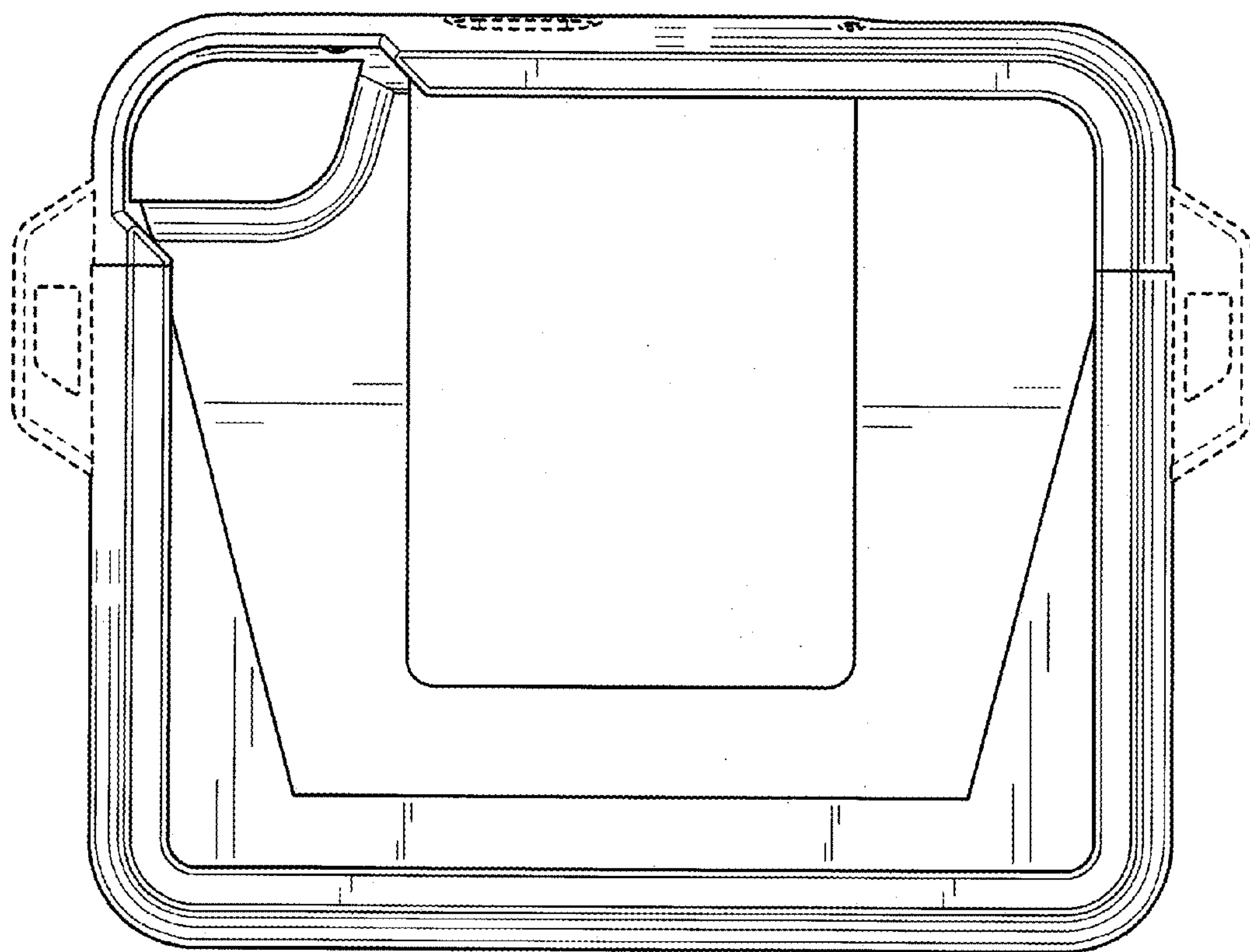


FIG. 2

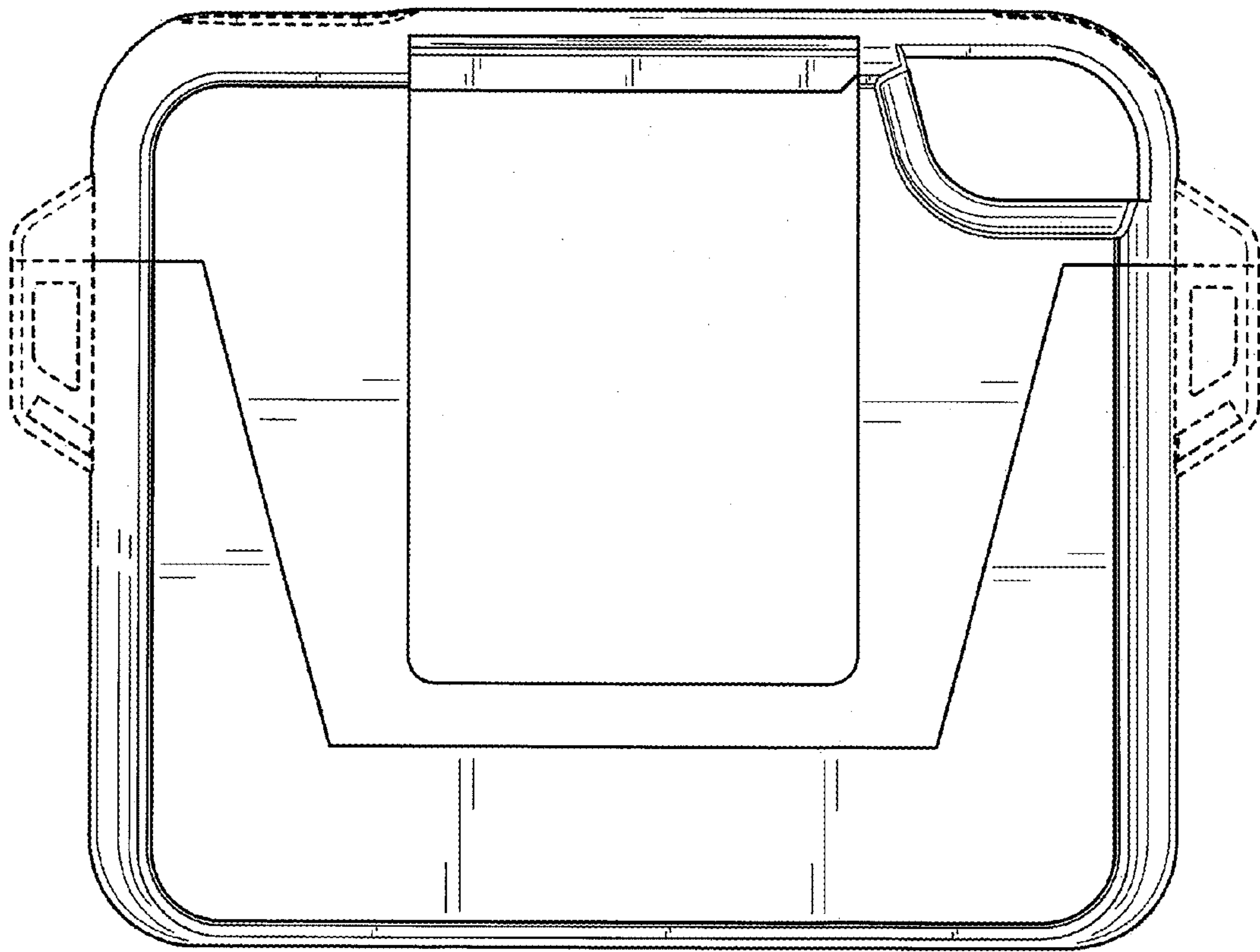


FIG. 3



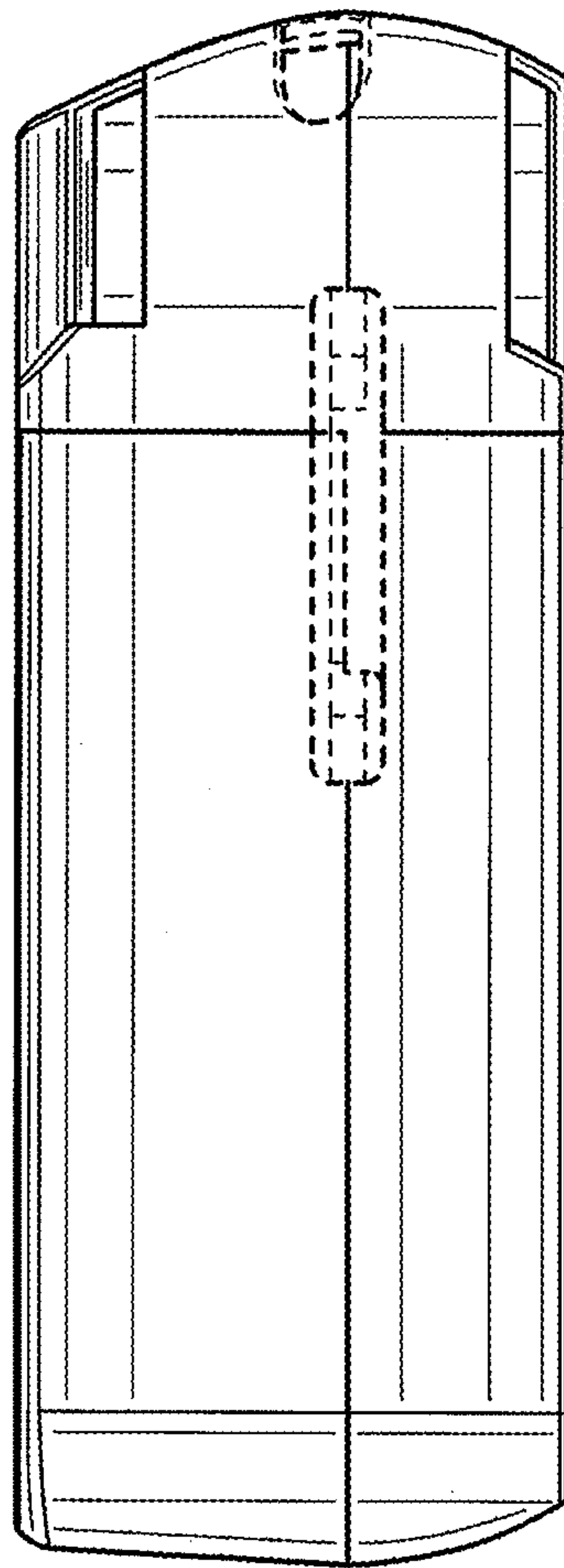


FIG. 4

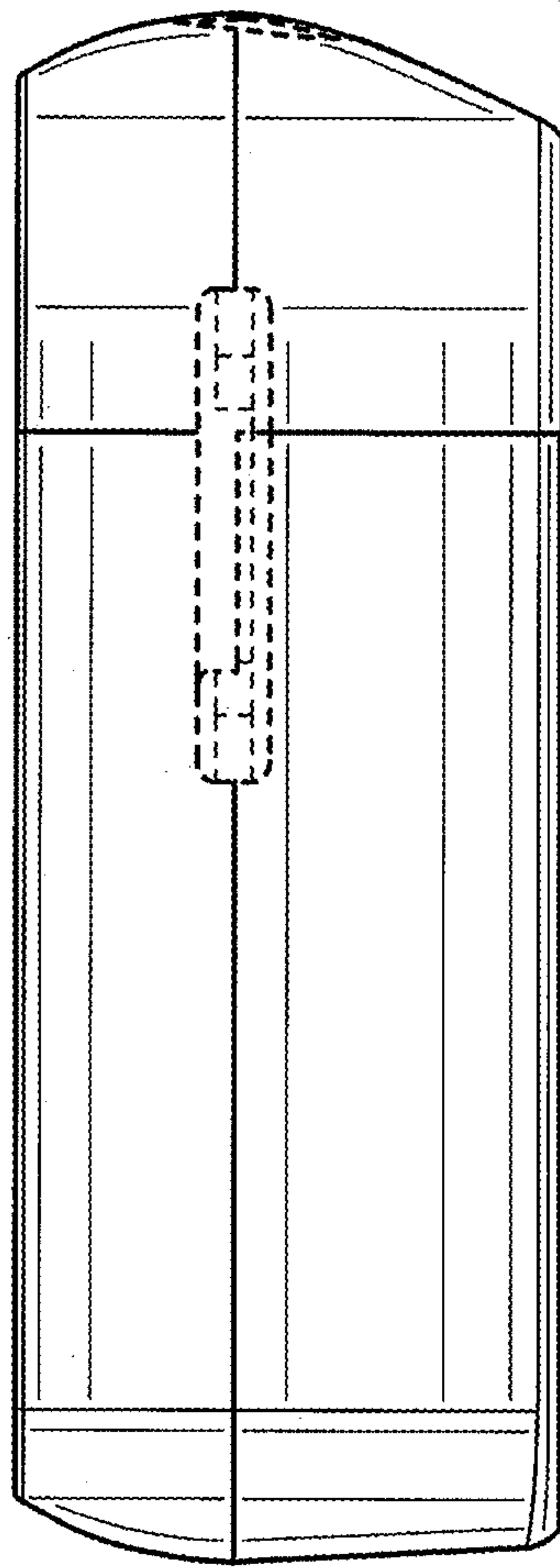


FIG. 5

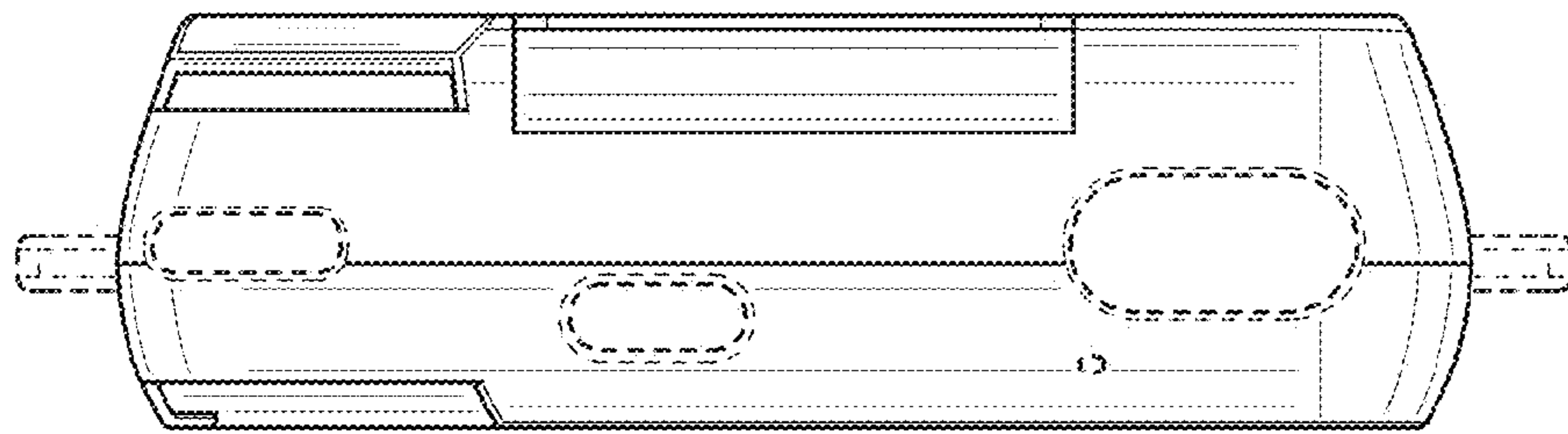


FIG. 6

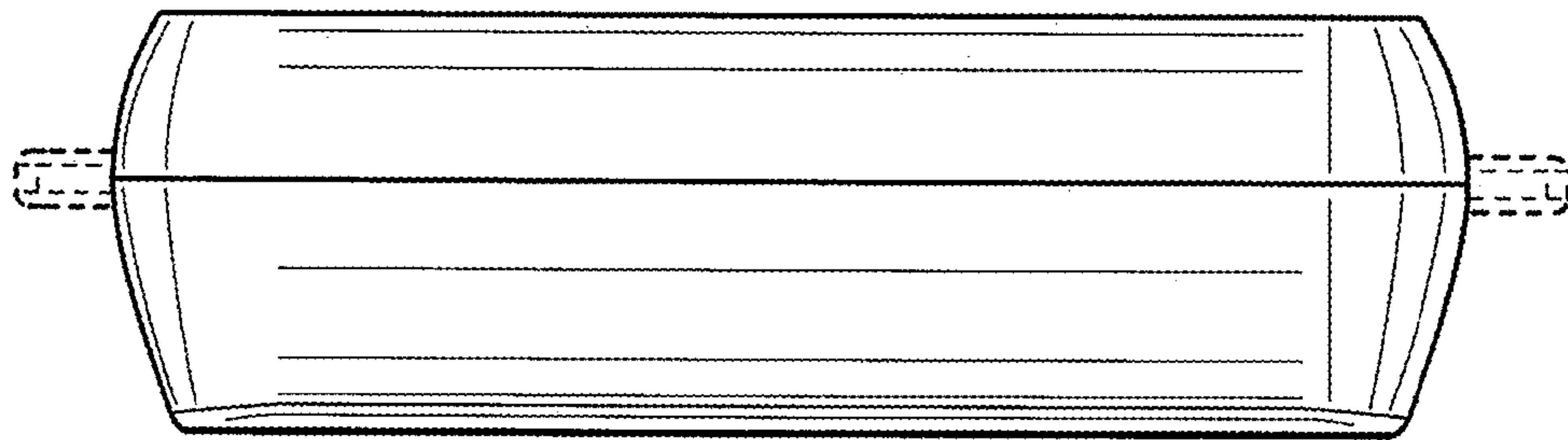


FIG. 7



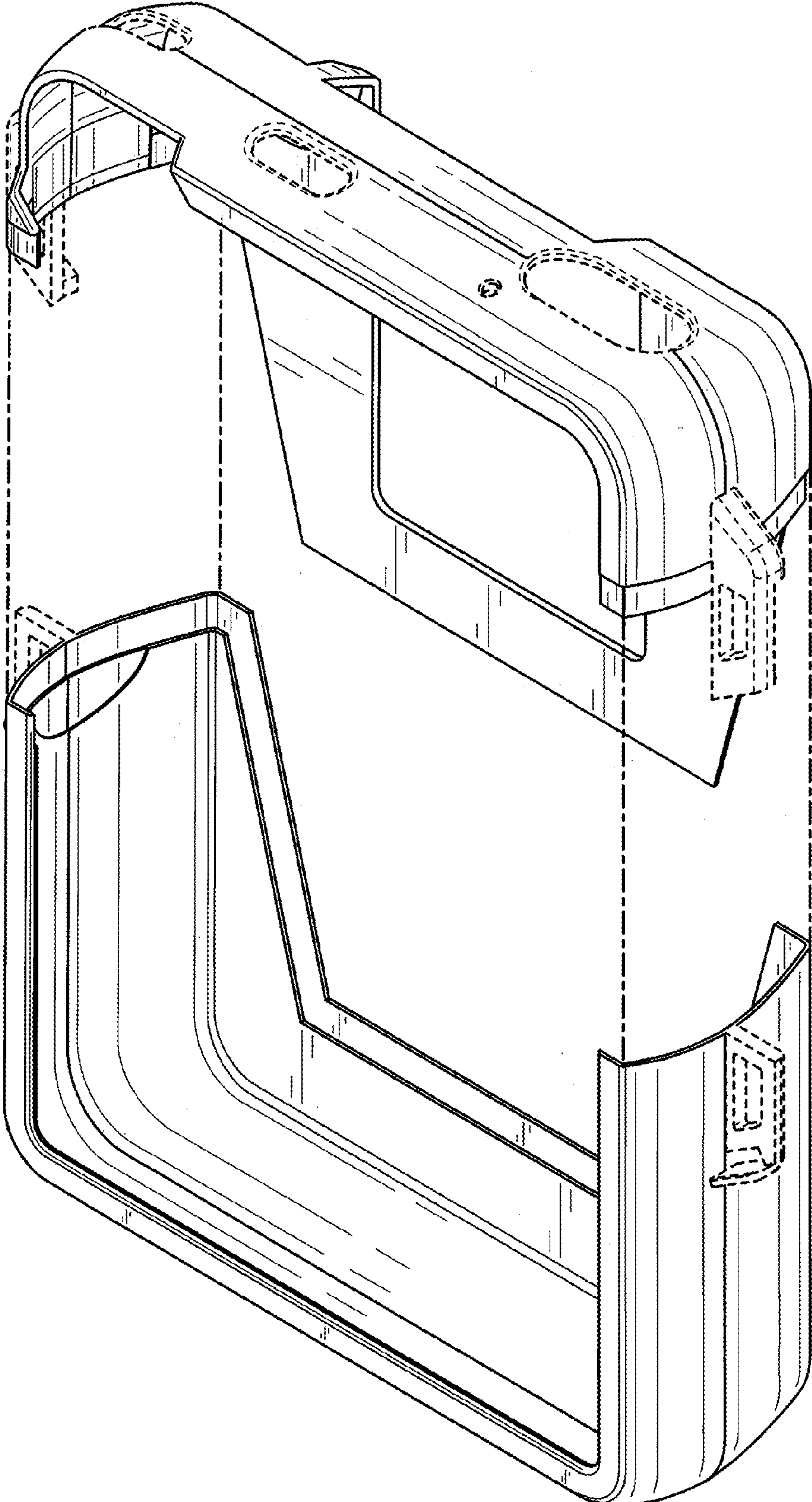


FIG. 8

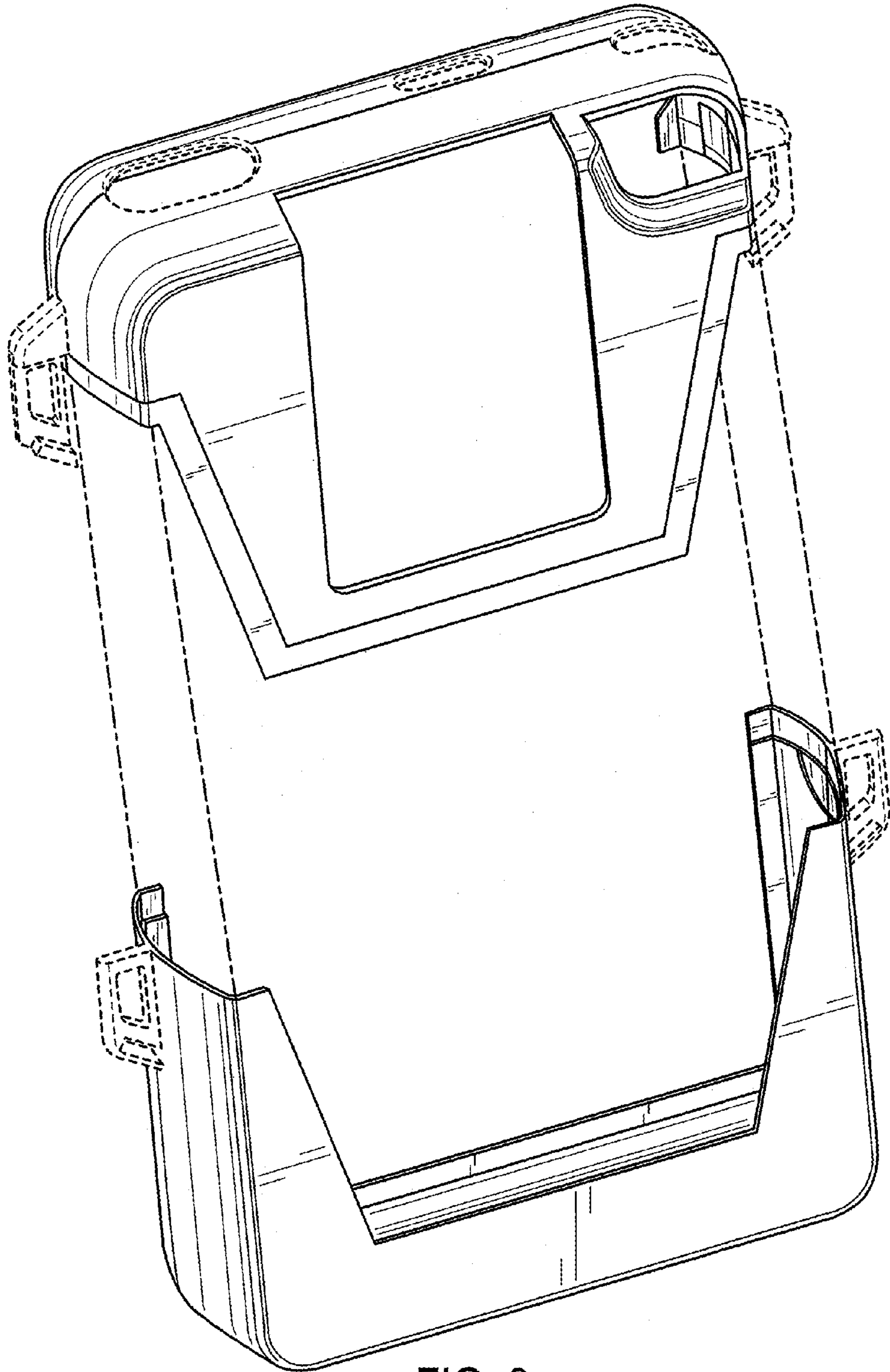


FIG. 9