



US00D755391S

(12) **United States Design Patent**  
**Kato et al.**

(10) **Patent No.:** **US D755,391 S**  
(45) **Date of Patent:** **\*\* May 3, 2016**

(54) **X-RAY TUBE FOR MEDICAL DEVICE**  
(71) Applicants: **Kabushiki Kaisha Toshiba**, Minato-ku, Tokyo (JP); **Toshiba Electron Tubes & Devices Co., Ltd.**, Otawara, Tochigi (JP)  
(72) Inventors: **Takeshi Kato**, Nasushiobara (JP); **Takanobu Hara**, Nasushibara (JP); **Masayoshi Miyamura**, Otawara (JP)  
(73) Assignees: **Kabushiki Kaisha Toshiba**, Minato-ku, Tokyo (JP); **Toshiba Electron Tubes & Devices Co., Ltd.**, Otawara, Tochigi (JP)

4,315,182 A \* 2/1982 Furbee ..... H01J 35/16  
313/116  
4,468,802 A \* 8/1984 Friedel ..... H01J 35/16  
378/125  
4,984,261 A \* 1/1991 Maldonado ..... H05G 1/06  
378/127  
5,136,625 A \* 8/1992 Heiting ..... H01J 35/16  
378/119  
5,195,119 A \* 3/1993 Ono ..... H01J 35/101  
378/132  
5,846,199 A \* 12/1998 Hijlkema ..... A61M 25/0108  
600/435  
6,356,619 B1 \* 3/2002 Nagy ..... H01J 35/14  
378/136  
D510,139 S \* 9/2005 Gilad ..... D24/158  
7,236,569 B2 6/2007 Takeuchi et al.

(\*\*) Term: **14 Years**

(Continued)

(21) Appl. No.: **29/521,616**

FOREIGN PATENT DOCUMENTS

(22) Filed: **Mar. 25, 2015**

JP 63-38823 B2 4/1979  
JP 2006-019223 A 1/2006  
JP 2010-257901 A 11/2010

(30) **Foreign Application Priority Data**

Sep. 25, 2014 (JP) ..... 2014-021161

*Primary Examiner* — Anhdao Doan

(51) **LOC (10) Cl.** ..... **24-01**

(74) *Attorney, Agent, or Firm* — Banner & Witcoff, Ltd.

(52) **U.S. Cl.**  
USPC ..... **D24/158**

(57) **CLAIM**

The ornamental design for a x-ray tube for medical device, as shown and described.

(58) **Field of Classification Search**  
USPC ..... D24/158-161, 185, 186, 107  
CPC ..... H01J 35/025; H01J 35/06; H01J 35/14;  
H01J 35/16; H01J 35/10; H01J 35/101  
See application file for complete search history.

**DESCRIPTION**

FIG. 1 is a perspective view of a x-ray tube for medical device showing our new design, FIG. 2 is a front elevational view thereof, FIG. 3 is a rear elevational view thereof, FIG. 4 is a right side elevational view, a left side elevational view being a mirror image thereof, FIG. 5 is a top plan view thereof; and, FIG. 6 is a bottom plan view thereof. The frost processed portion.

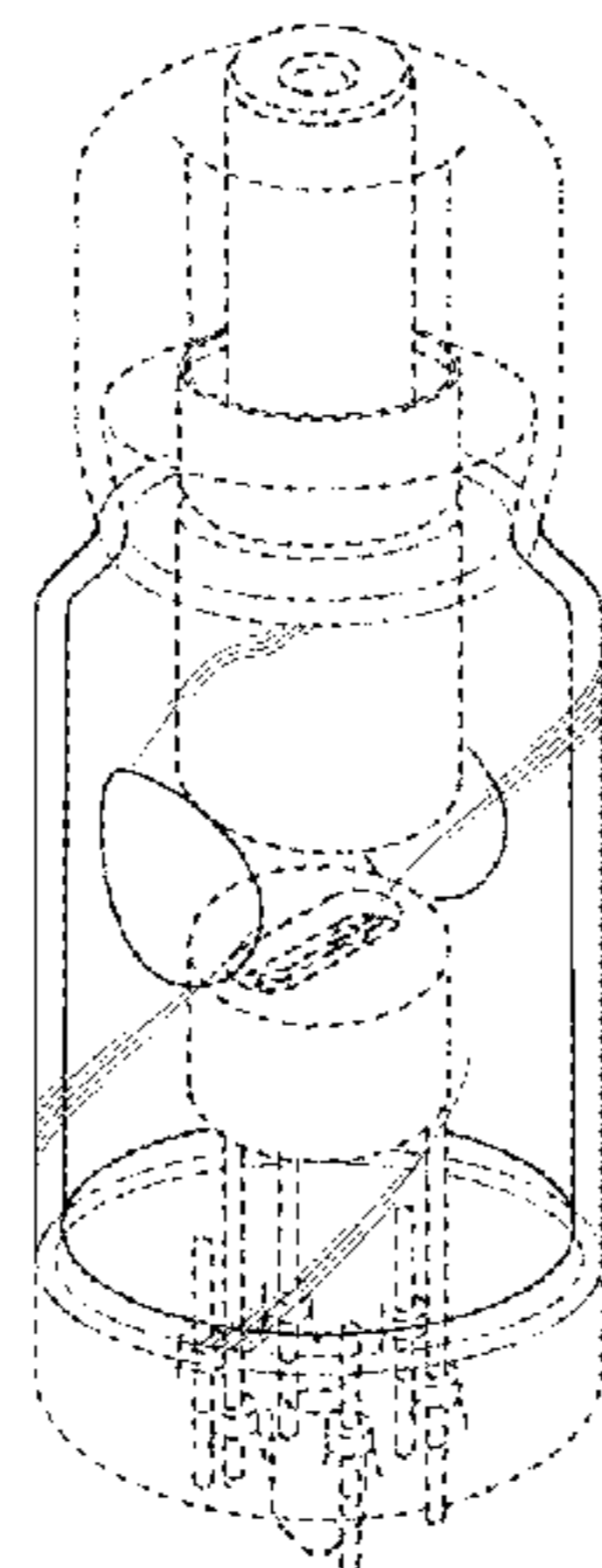
The long-short broken lines represent the bounds of the claim, and all other broken lines are directed to environment and are for illustrative purposes only. None of the broken lines form a part of the claimed design.

(56) **References Cited**

U.S. PATENT DOCUMENTS

1,974,703 A \* 9/1934 Bouwers ..... H01J 35/16  
313/240  
2,327,586 A \* 8/1943 Atlee ..... H01J 35/02  
313/149  
3,973,156 A \* 8/1976 Schreiber ..... H01J 35/10  
378/125  
4,035,685 A \* 7/1977 Jacob ..... H01J 35/14  
313/311  
4,065,674 A \* 12/1977 Lakerveld ..... H01J 35/101  
378/131

**1 Claim, 3 Drawing Sheets**



# US D755,391 S

Page 2

---

(56)

## References Cited

### U.S. PATENT DOCUMENTS

7,236,571 B1 *	6/2007	Kendall	.....	H01J 35/16	378/141
D727,507 S *	4/2015	Ishihara	.....	D24/158	
2002/0006183 A1 *	1/2002	Ide	.....	H01J 35/101	378/133
2006/0002516 A1	1/2006	Takeuchi et al.			
2010/0020938 A1 *	1/2010	Koch	.....	H05G 1/52	378/138

\* cited by examiner

Fig. 1

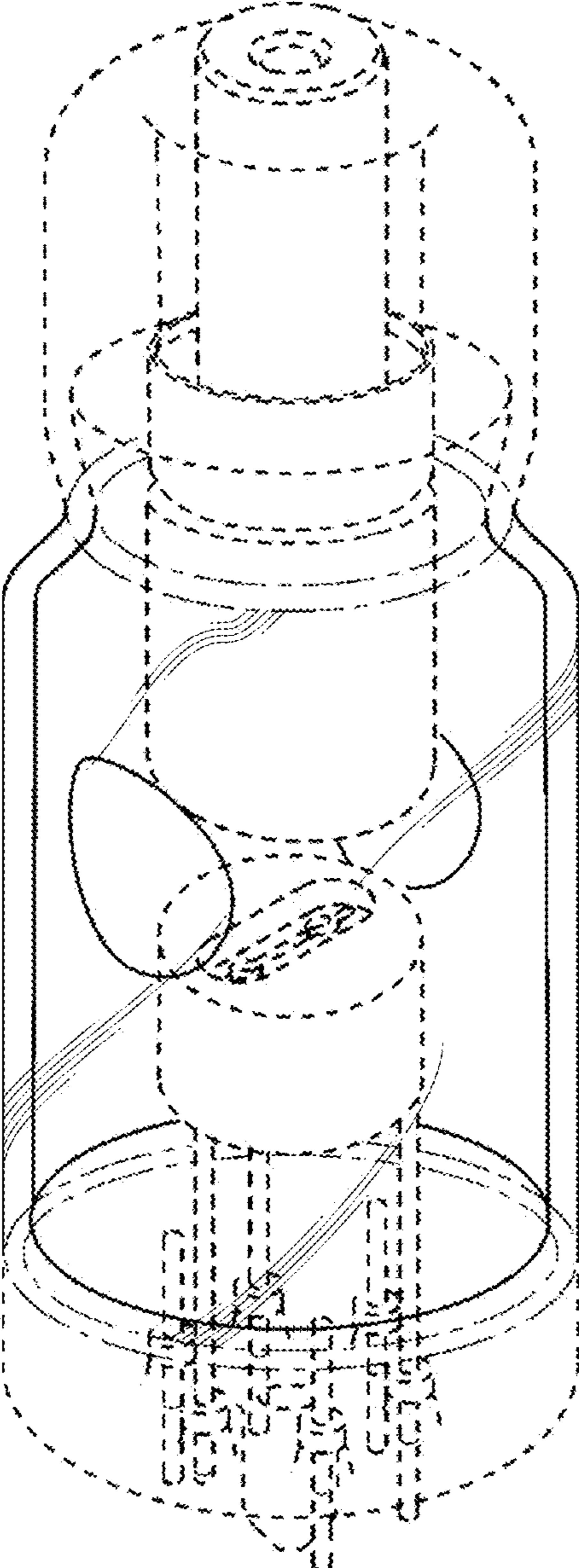


Fig. 2

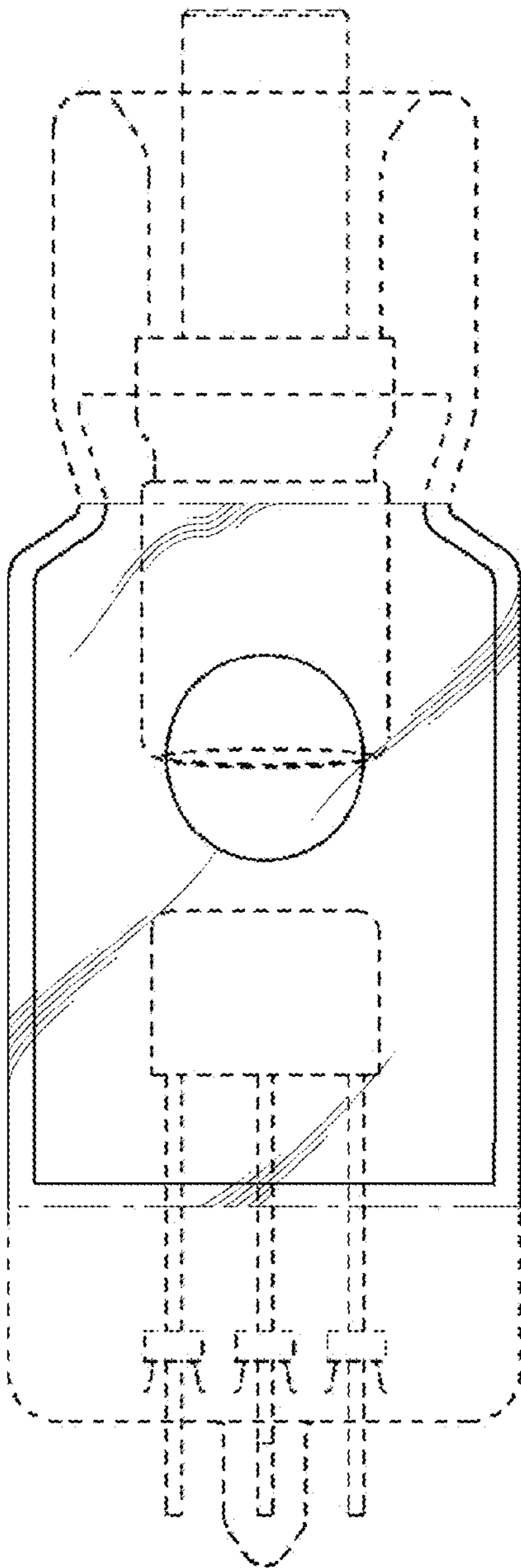


Fig. 3

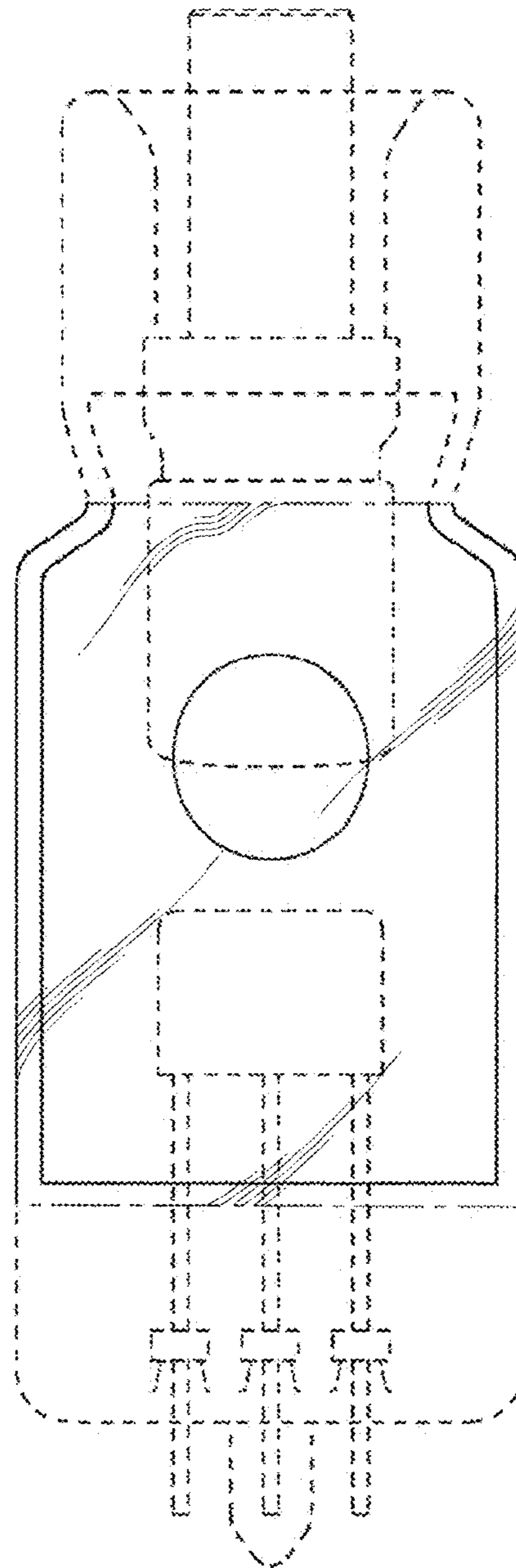




Fig. 4

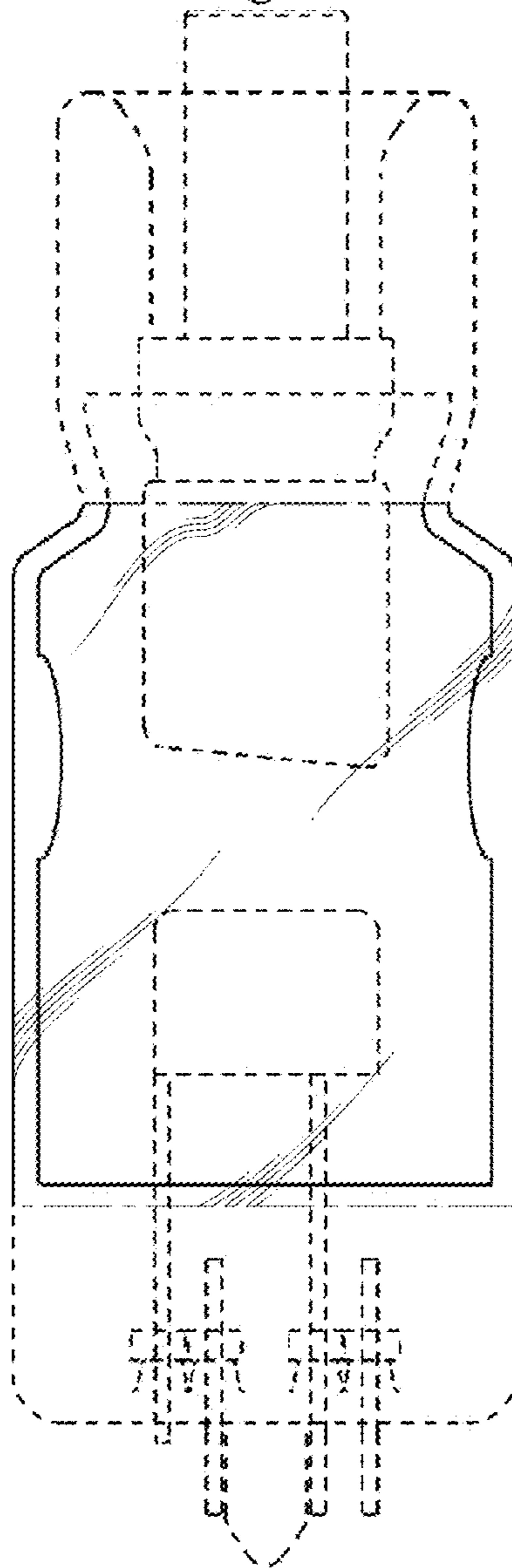


Fig. 5

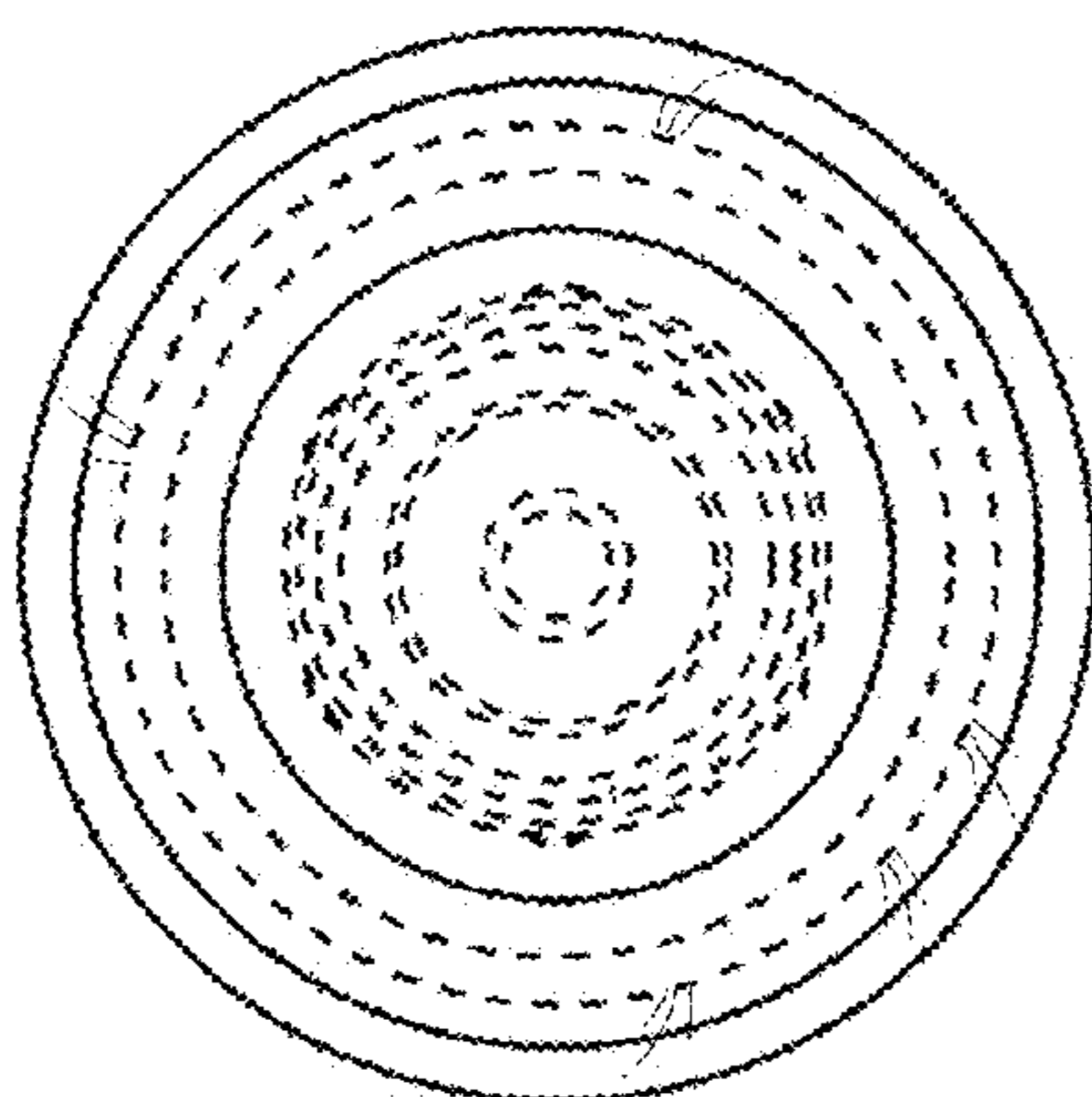
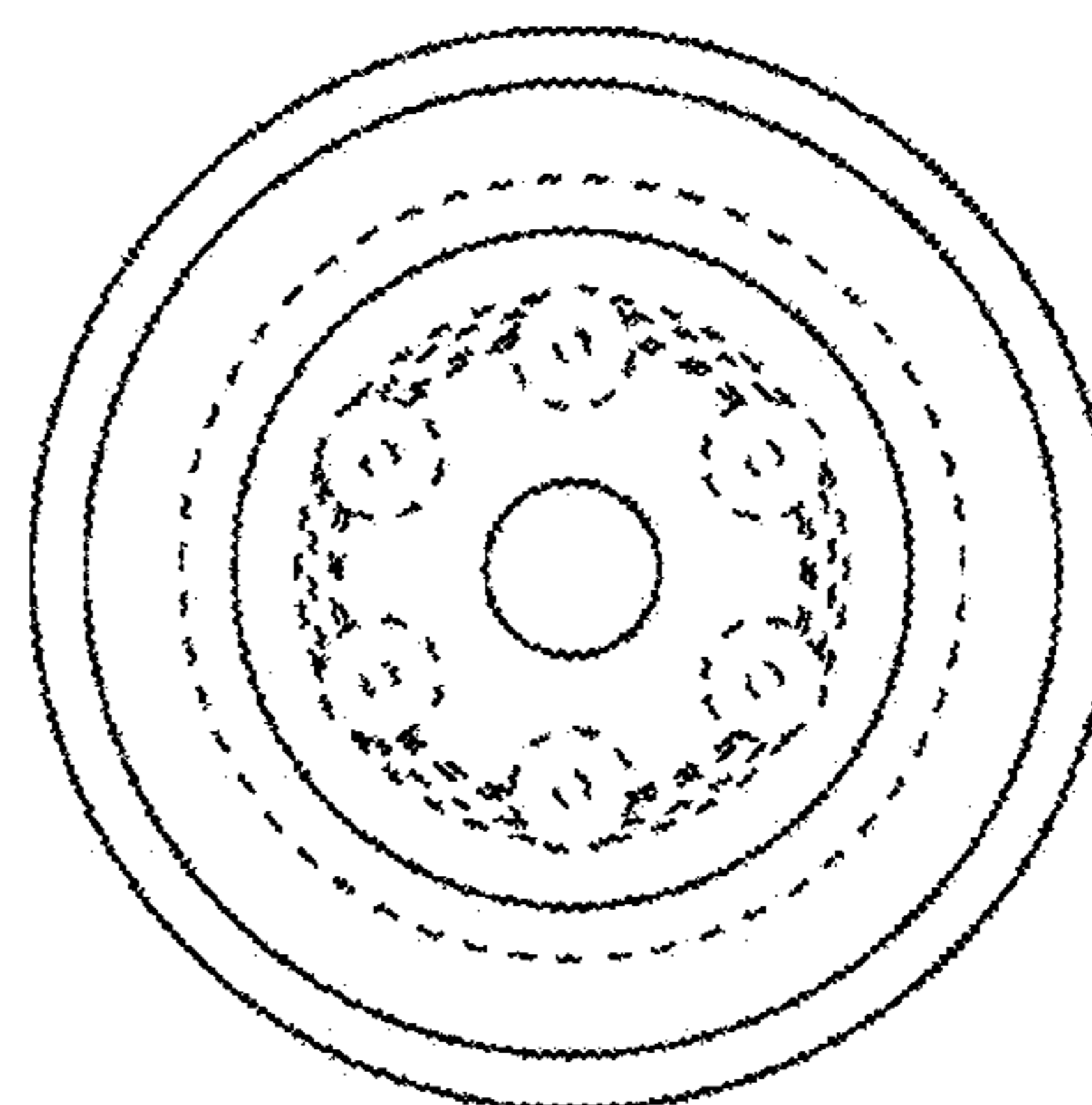


Fig. 6



UNITED STATES PATENT AND TRADEMARK OFFICE  
**CERTIFICATE OF CORRECTION**

PATENT NO. : D755,391 S  
APPLICATION NO. : 29/521616  
DATED : May 3, 2016  
INVENTOR(S) : Takeshi Kato et al.

Page 1 of 1

It is certified that error appears in the above-identified patent and that said Letters Patent is hereby corrected as shown below:

In the Specification:

Should read

FIG. 6 is a bottom plan view thereof.

Signed and Sealed this  
Thirteenth Day of September, 2016



Michelle K. Lee  
*Director of the United States Patent and Trademark Office*