



US00D755390S

(12) **United States Design Patent**
Kato et al.

(10) **Patent No.:** **US D755,390 S**

(45) **Date of Patent:** **** May 3, 2016**

(54) X-RAY TUBE FOR MEDICAL DEVICE	4,984,261 A *	1/1991	Maldonado	H05G 1/06 378/127
(71) Applicants: Kabushiki Kaisha Toshiba , Minato-ku, Tokyo (JP); Toshiba Electron Tubes & Devices Co., Ltd. , Otawara, Tochigi (JP)	5,136,625 A *	8/1992	Heiting	H01J 35/16 378/119
	5,195,119 A *	3/1993	Ono	H01J 35/101 378/132
(72) Inventors: Takeshi Kato , Nasushiobara (JP); Takanobu Hara , Nasushiobara (JP); Masayoshi Miyamura , Tochigi (JP)	5,846,199 A *	12/1998	Hijlkema	A61M 25/0108 600/435
	6,356,619 B1 *	3/2002	Nagy	H01J 35/14 378/136
	D510,139 S *	9/2005	Gilad	D24/158
(73) Assignees: Kabushiki Kaisha Toshiba , Minato-ku, Tokyo (JP); Toshiba Electron Tubes & Devices Co., Ltd. , Otawara, Tochigi (JP)	7,236,569 B2	6/2007	Takeuchi et al.	
	7,236,571 B1 *	6/2007	Kendall	H01J 35/16 378/141
	D727,507 S *	4/2015	Ishihara	D24/158
(**) Term: 14 Years	2002/0006183 A1 *	1/2002	Ide	H01J 35/101 378/133
(21) Appl. No.: 29/521,614	2006/0002516 A1	1/2006	Takeuchi et al.	
(22) Filed: Mar. 25, 2015	2010/0020938 A1 *	1/2010	Koch	H05G 1/52 378/138

(30) **Foreign Application Priority Data**

Sep. 25, 2014 (JP)	2014-021157
(51) LOC (10) Cl.	24-01
(52) U.S. Cl. USPC	D24/158
(58) Field of Classification Search USPC	D24/158-161, 185, 186, 107
CPC	H01J 35/025; H01J 35/06; H01J 35/14; H01J 35/16; H01J 35/10; H01J 35/101
See application file for complete search history.	

(56) **References Cited**

U.S. PATENT DOCUMENTS

1,974,703 A *	9/1934	Bouwers	H01J 35/16 313/240
2,327,586 A *	8/1943	Atlee	H01J 35/02 313/149
3,973,156 A *	8/1976	Schreiber	H01J 35/10 378/125
4,035,685 A *	7/1977	Jacob	H01J 35/14 313/311
4,065,674 A *	12/1977	Lakerveld	H01J 35/101 378/131
4,315,182 A *	2/1982	Furbee	H01J 35/16 313/116
4,468,802 A *	8/1984	Friedel	H01J 35/16 378/125

FOREIGN PATENT DOCUMENTS

JP	63-38823 B2	4/1979
JP	2006-019223 A	1/2006
JP	2010-257901 A	11/2010

* cited by examiner

Primary Examiner — Anhdao Doan

(74) *Attorney, Agent, or Firm* — Banner & Witcoff, Ltd.

(57) **CLAIM**

The ornamental design for a X-ray tube for medical device, as shown and described.

DESCRIPTION

FIG. 1 is a perspective view of a X-ray tube for medical device showing our new design,
 FIG. 2 is a front elevational view thereof,
 FIG. 3 is a rear elevational view thereof,
 FIG. 4 is a right side elevational view, a left, side elevational view being a mirror image thereof,
 FIG. 5 is a top plan view thereof; and,
 FIG. 6 is a bottom plan view thereof.
 The long-short broken lines represent the bounds of the claim, and all other broken lines are directed to environment and are for illustrative purposes only. None of the broken lines form a part of the claimed design.

1 Claim, 3 Drawing Sheets

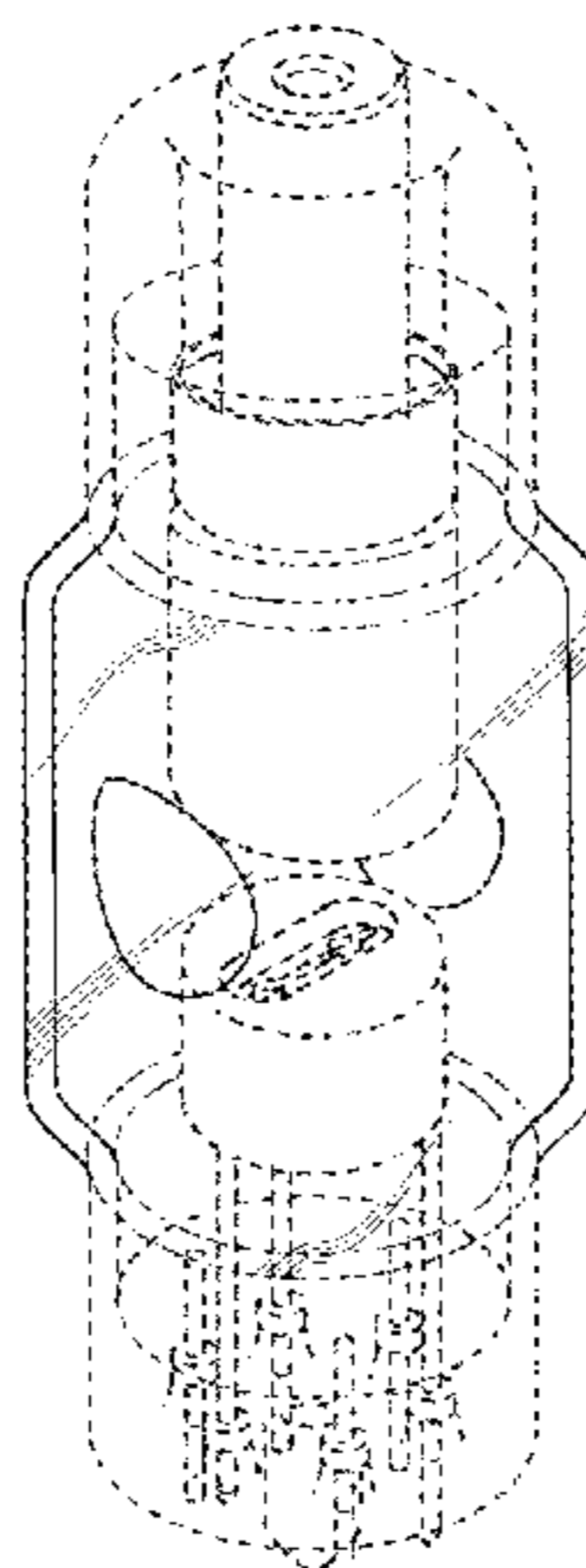


Fig. 1

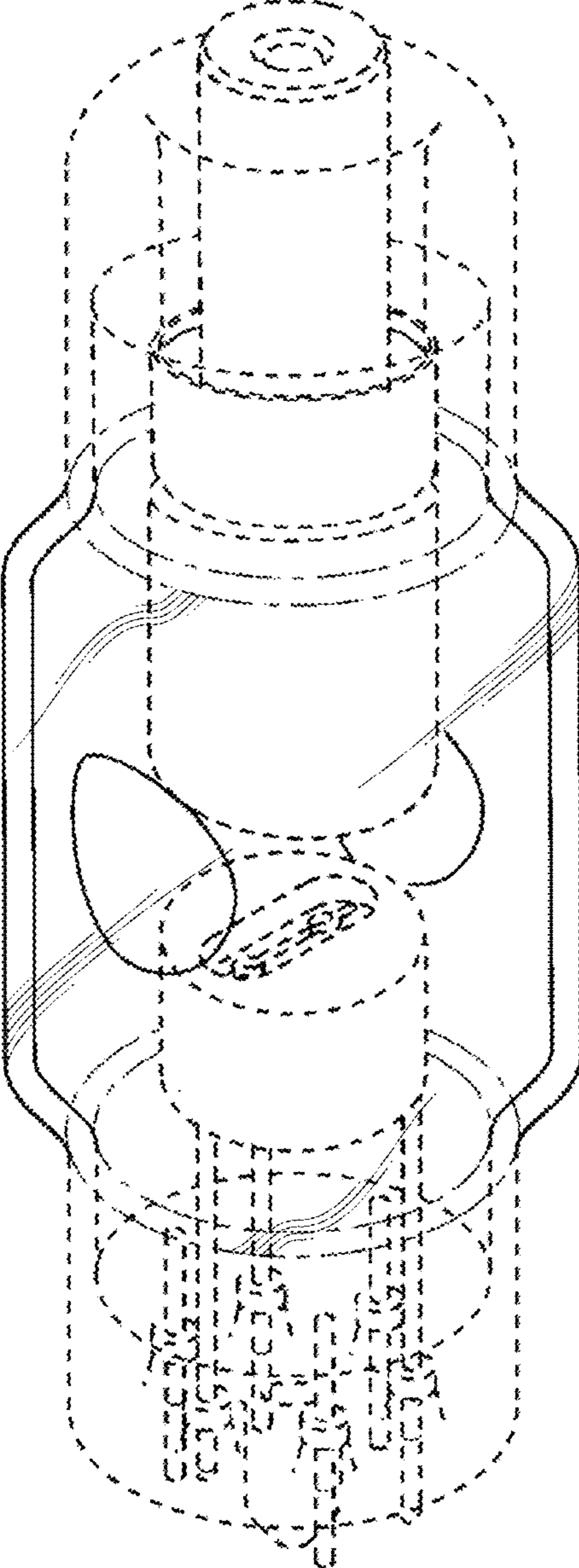


Fig. 2

Fig. 3

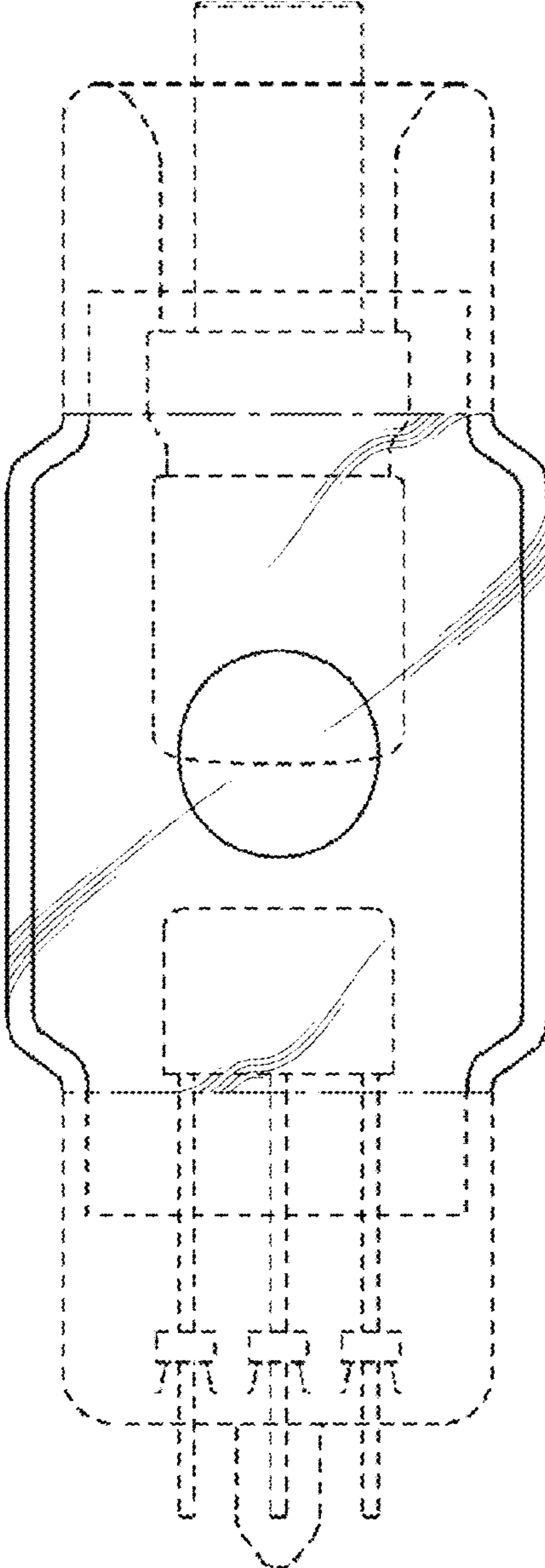
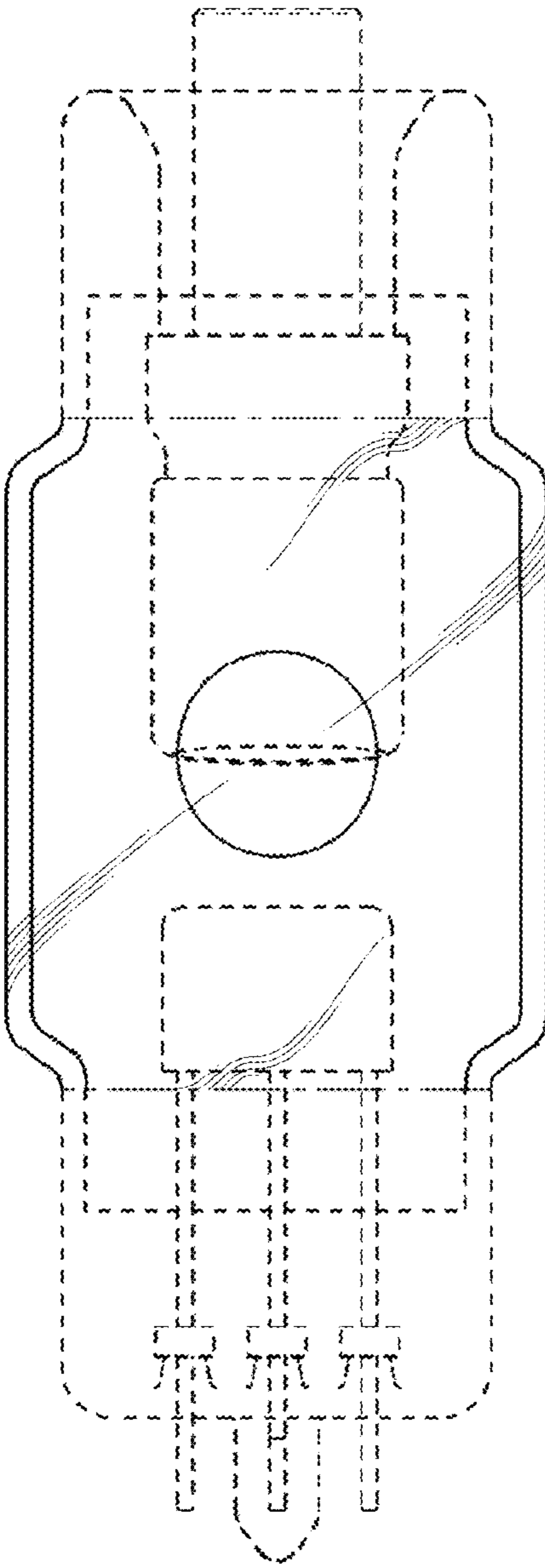


Fig. 4

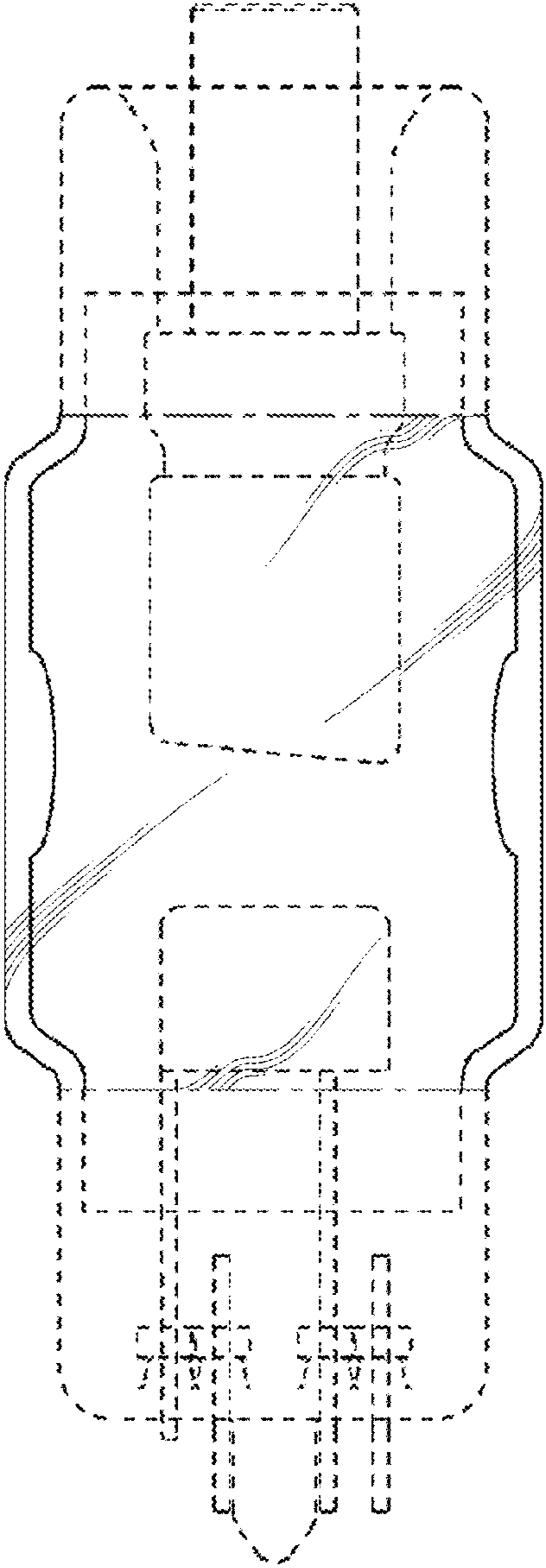


Fig. 5

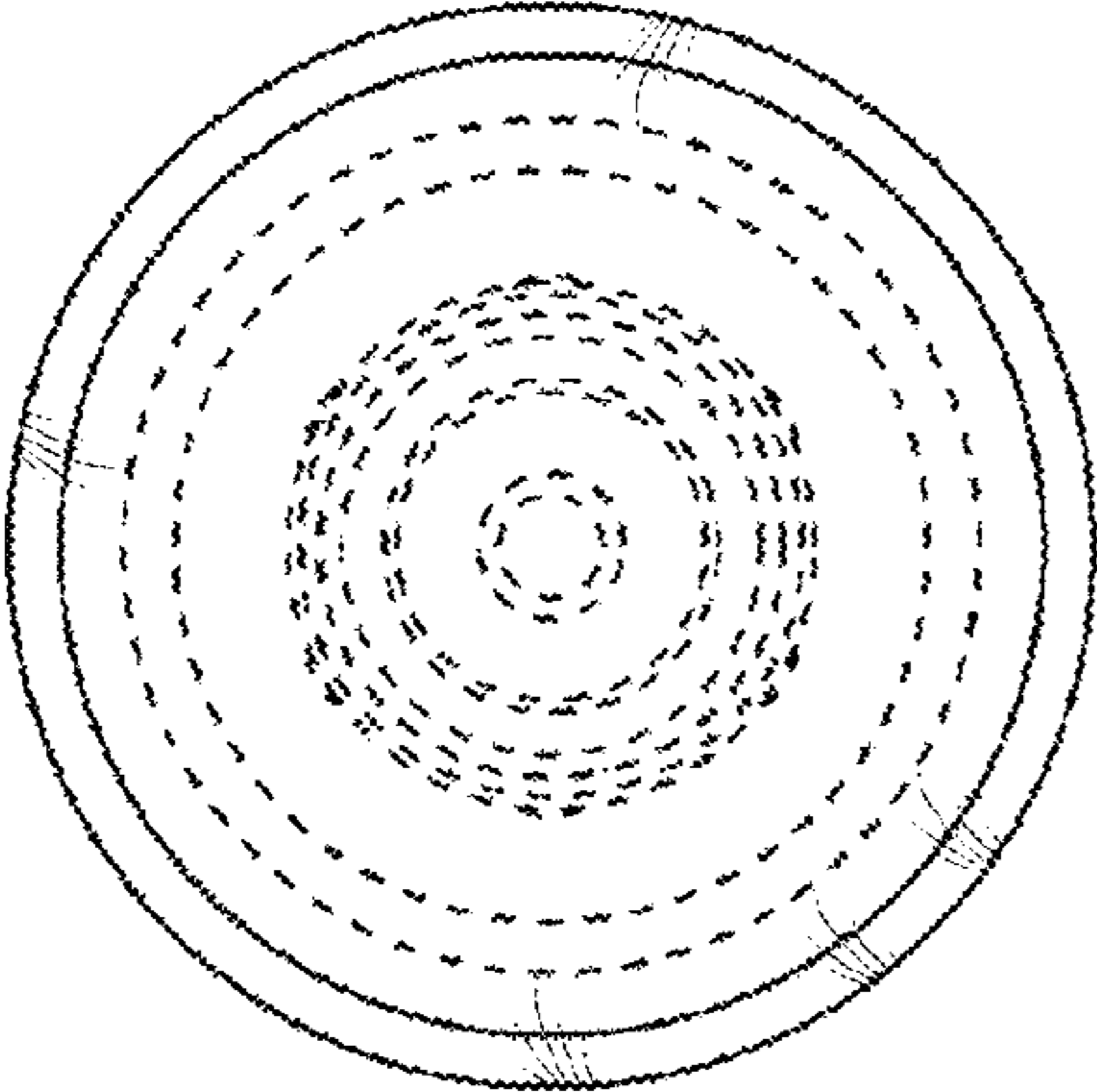
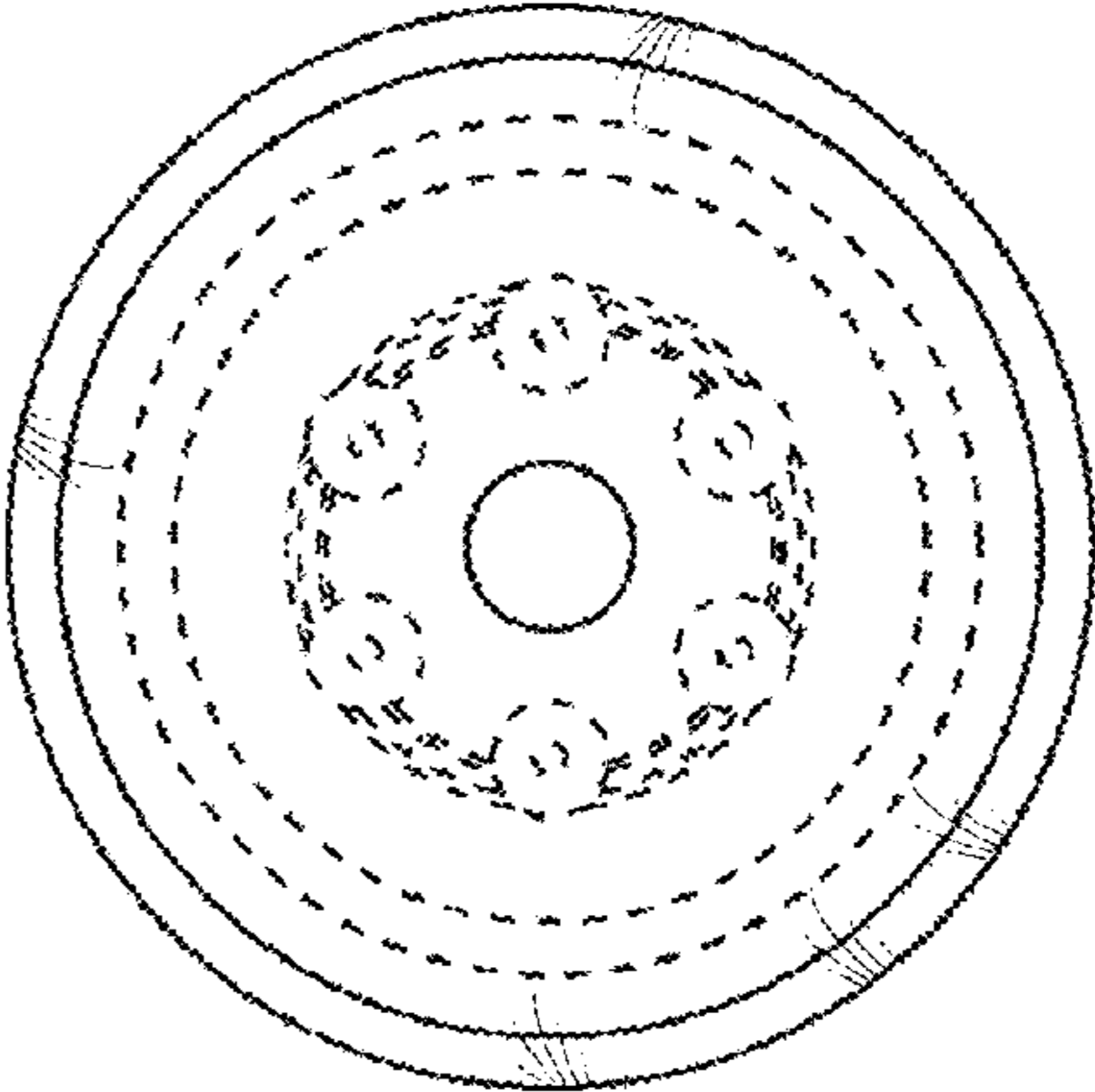


Fig. 6



UNITED STATES PATENT AND TRADEMARK OFFICE
CERTIFICATE OF CORRECTION

PATENT NO. : D755,390 S
APPLICATION NO. : 29/521614
DATED : May 3, 2016
INVENTOR(S) : Takeshi Kato et al.

Page 1 of 1

It is certified that error appears in the above-identified patent and that said Letters Patent is hereby corrected as shown below:

On Title Page

Item (*) Please insert --This patent is subject to a terminal disclaimer--

Signed and Sealed this
Twenty-second Day of November, 2016



Michelle K. Lee
Director of the United States Patent and Trademark Office