

US00D755387S

(12) **United States Design Patent**  
**Kato et al.**

(10) **Patent No.:** **US D755,387 S**  
(45) **Date of Patent:** **\*\* May 3, 2016**

(54) **X-RAY TUBE FOR MEDICAL DEVICE**  
(71) Applicants: **Kabushiki Kaisha Toshiba**, Minato-ku, Tokyo (JP); **Toshiba Electron Tubes & Devices Co., Ltd.**, Otawara, Tochigi (JP)  
(72) Inventors: **Takeshi Kato**, Nasushiobara (JP); **Takanobu Hara**, Nasushiobara (JP); **Masayoshi Miyamura**, Otawara (JP)  
(73) Assignees: **Kabushiki Kaisha Toshiba**, Minato-ku (JP); **Toshiba Electron Tubes & Devices Co., Ltd.**, Otawara, Tochigi (JP)

4,984,261 A \* 1/1991 Maldonado ..... H05G 1/06 378/127  
5,136,625 A \* 8/1992 Heiting ..... H01J 35/16 378/119  
5,195,119 A \* 3/1993 Ono ..... H01J 35/101 378/132  
5,846,199 A \* 12/1998 Hijlkema et al. . A61M 25/0108 600/435  
6,356,619 B1 \* 3/2002 Nagy ..... H01J 35/14 378/136  
D510,139 S \* 9/2005 Gilad et al. .... D24/158  
7,236,569 B2 6/2007 Takeuchi et al.  
7,236,571 B1 \* 6/2007 Kendall ..... H01J 35/16 378/141  
D727,507 S \* 4/2015 Ishihara ..... D24/158  
2002/0006183 A1 \* 1/2002 Ide ..... H01J 35/101 378/133  
2006/0002516 A1 1/2006 Takeuchi et al.  
2010/0020938 A1 \* 1/2010 Koch ..... H05G 1/52 378/138

(\*\*) Term: **14 Years**  
(21) Appl. No.: **29/521,583**  
(22) Filed: **Mar. 25, 2015**

(30) **Foreign Application Priority Data**  
Sep. 25, 2014 (JP) ..... 2014-021158  
(51) **LOC (10) Cl.** ..... **24-01**  
(52) **U.S. Cl.**  
USPC ..... **D24/158**  
(58) **Field of Classification Search**  
USPC ..... D24/158-161, 185, 186, 107  
CPC ..... H01J 35/025; H01J 35/06; H01J 35/14;  
H01J 35/16; H01J 35/10; H01J 35/101  
See application file for complete search history.

**FOREIGN PATENT DOCUMENTS**

JP 63-38823 B2 4/1979  
JP 2006-019223 A 1/2006  
JP 2010-257901 A 11/2010

\* cited by examiner

*Primary Examiner* — Anhdao Doan  
(74) *Attorney, Agent, or Firm* — Banner & Witcoff, Ltd.

(57) **CLAIM**  
The ornamental design for a X-ray tube for medical device, as shown and described.

**DESCRIPTION**

FIG. 1 is a perspective view of a X-ray tube for medical device showing our new design, FIG. 2 is a front elevational view thereof, FIG. 3 is a rear elevational view thereof, FIG. 4 is a right side elevational view, a left, side elevational view being a mirror image thereof, FIG. 5 is a top plan view thereof; and, FIG. 6 is a bottom plan view thereof. The long-short broken lines represent the bounds of the claim, and all other broken lines are directed to environment and are for illustrative purposes only. None of the broken lines form a part of the claimed design.

**1 Claim, 3 Drawing Sheets**

(56) **References Cited**  
**U.S. PATENT DOCUMENTS**  
1,974,703 A \* 9/1934 Bouwers ..... H01J 35/16 313/240  
2,327,586 A \* 8/1943 Atlee ..... H01J 35/02 313/149  
3,973,156 A \* 8/1976 Schreiber ..... H01J 35/10 378/125  
4,035,685 A \* 7/1977 Jacob ..... H01J 35/14 313/311  
4,065,674 A \* 12/1977 Lakerveld ..... H01J 35/101 378/131  
4,315,182 A \* 2/1982 Furbee ..... H01J 35/16 313/116  
4,468,802 A \* 8/1984 Friedel ..... H01J 35/16 378/125

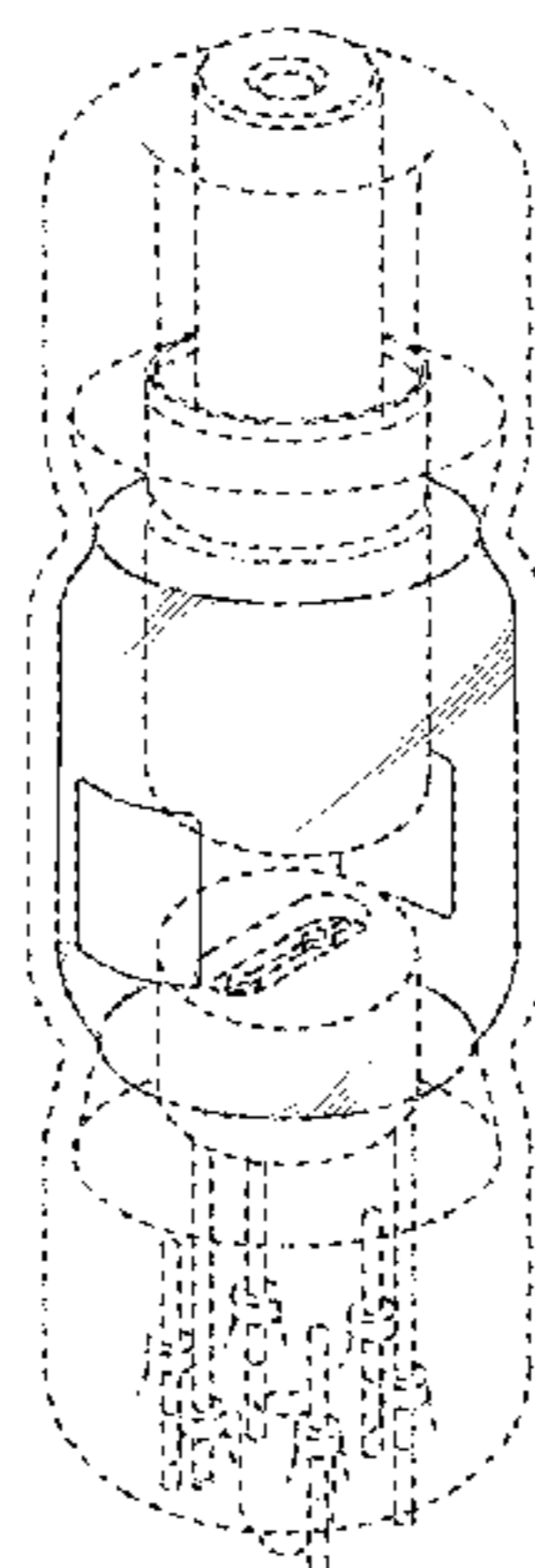


Fig. 1

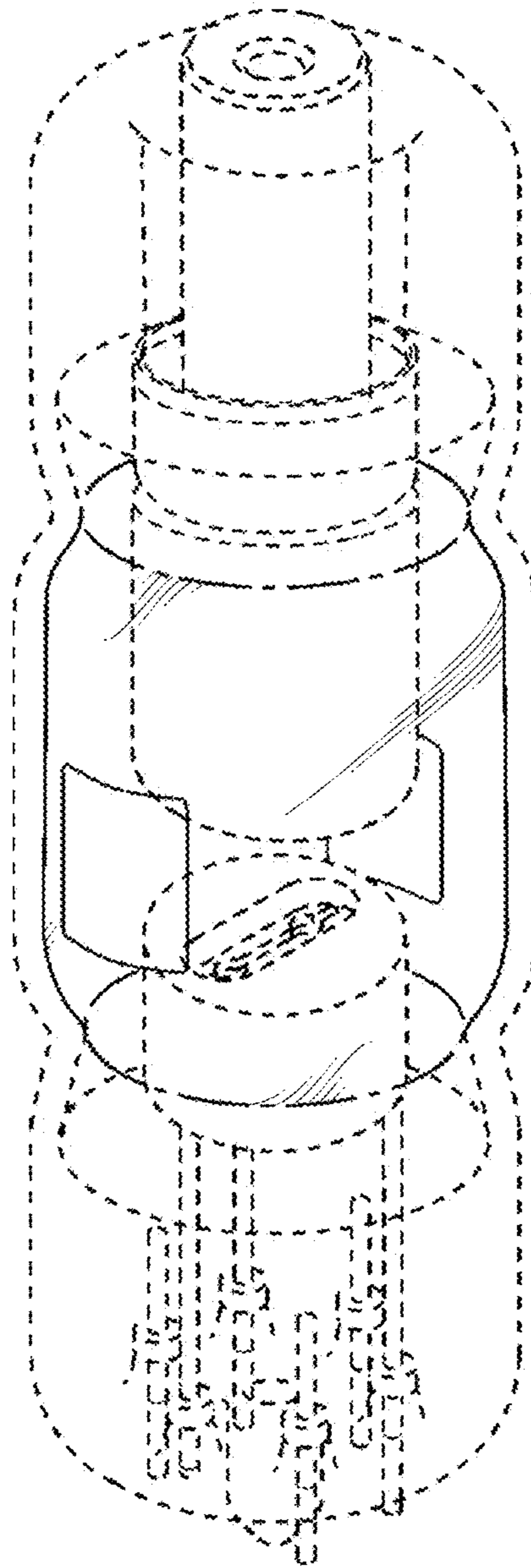


Fig. 2

Fig. 3

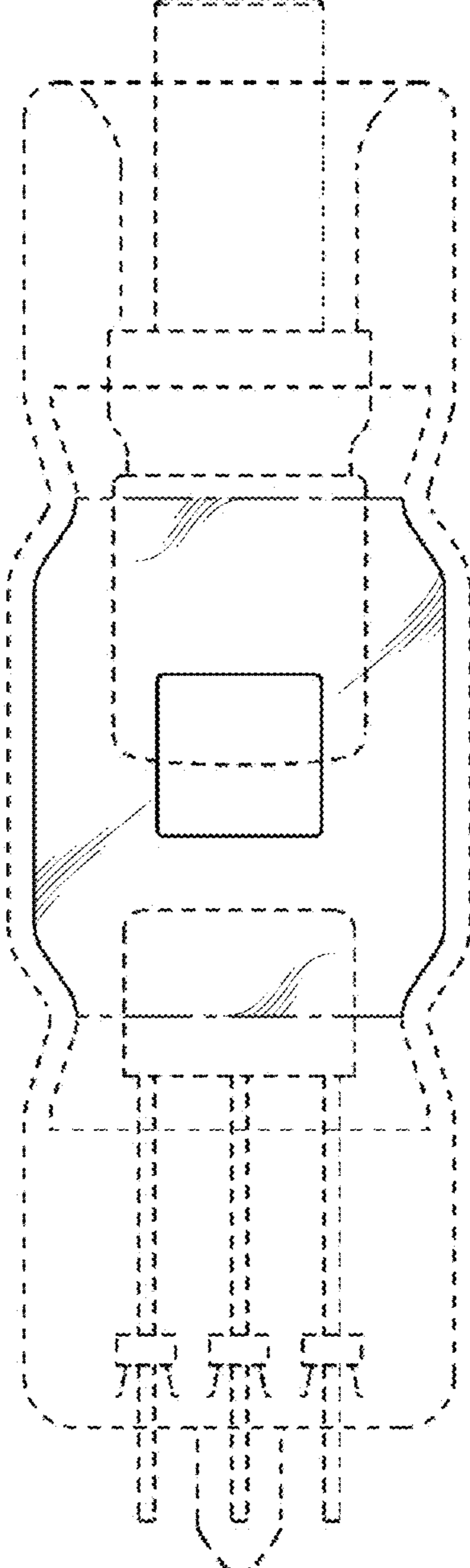
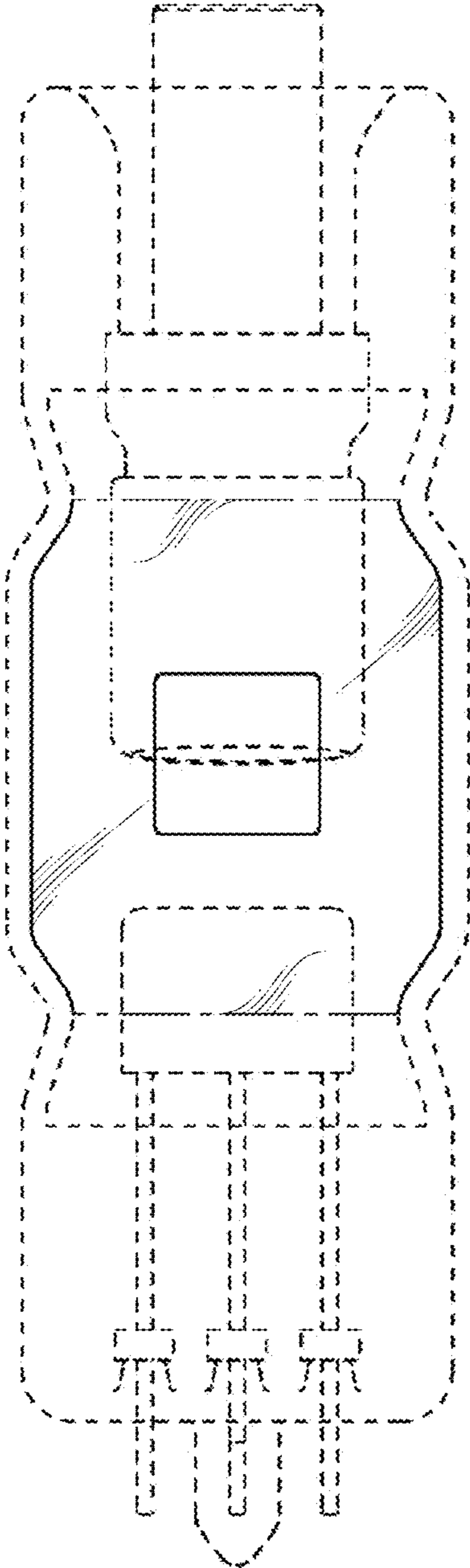


Fig. 4

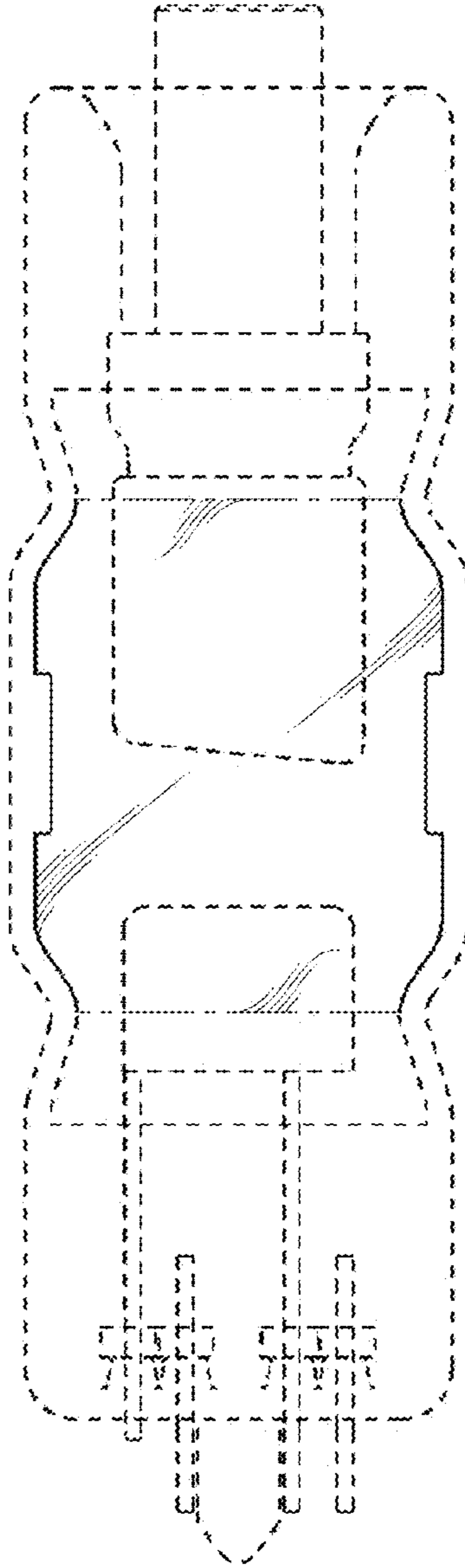


Fig. 5

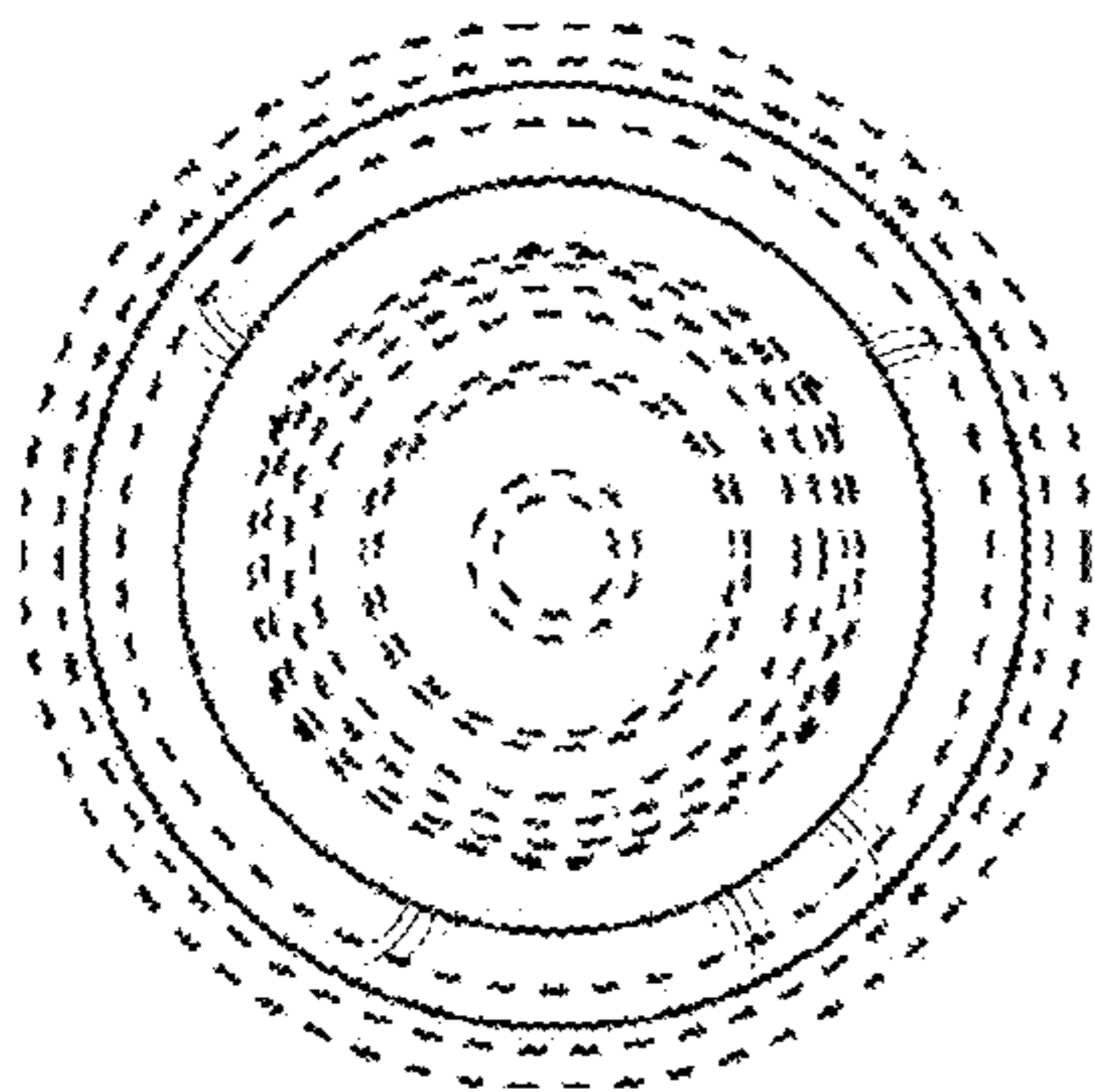


Fig. 6

