



US00D755386S

(12) **United States Design Patent**
Kato et al.

(10) **Patent No.:** **US D755,386 S**
(45) **Date of Patent:** **** May 3, 2016**

(54) **X-RAY TUBE FOR MEDICAL DEVICE**
(71) Applicants: **Kabushiki Kaisha Toshiba**, Minato-ku,
Tokyo (JP); **Toshiba Electron Tubes &
Devices Co., Ltd.**, Otawara, Tochigi (JP)
(72) Inventors: **Takeshi Kato**, Nasushiobara (JP);
Takanobu Hara, Nasushiobara (JP);
Masayoshi Miyamura, Otawara (JP)
(73) Assignees: **Kabushiki Kaisha Toshiba**, Minato-ku,
Tokyo (JP); **Toshiba Electron Tubes &
Devices Co., Ltd.**, Otawara, Tochigi (JP)

4,468,802 A * 8/1984 Friedel H01J 35/16
378/125
4,984,261 A * 1/1991 Maldonado H05G 1/06
378/127
5,136,625 A * 8/1992 Heiting H01J 35/16
378/119
5,195,119 A * 3/1993 Ono H01J 35/101
378/132
5,846,199 A * 12/1998 Hijlkema A61M 25/0108
600/435
6,356,619 B1 * 3/2002 Nagy H01J 35/14
378/136
D510,139 S * 9/2005 Gilad D24/158
7,236,569 B2 6/2007 Takeuchi et al.
7,236,571 B1 * 6/2007 Kendall H01J 35/16
378/141
D727,507 S * 4/2015 Ishihara D24/158
2002/0006183 A1 * 1/2002 Ide H01J 35/101
378/133
2006/0002516 A1 1/2006 Takeuchi et al.
2010/0020938 A1 * 1/2010 Koch H05G 1/52
378/138

(**) Term: **14 Years**
(21) Appl. No.: **29/521,582**
(22) Filed: **Mar. 25, 2015**

(30) **Foreign Application Priority Data**
Sep. 25, 2014 (JP) 2014-021160
(51) **LOC (10) Cl.** **24-01**
(52) **U.S. Cl.**
USPC **D24/158**
(58) **Field of Classification Search**
USPC D24/158-161, 185, 186, 107
CPC H01J 35/025; H01J 35/06; H01J 35/14;
H01J 35/16; H01J 35/10; H01J 35/101
See application file for complete search history.

FOREIGN PATENT DOCUMENTS
JP 63-38823 B2 4/1979
JP 2006-019223 A 1/2006
JP 2010-257901 A 11/2010

* cited by examiner

Primary Examiner — Anhdao Doan
(74) *Attorney, Agent, or Firm* — Banner & Witcoff, Ltd.

(57) **CLAIM**
The ornamental design for a X-ray tube for medical device, as shown and described.

(56) **References Cited**
U.S. PATENT DOCUMENTS
1,974,703 A * 9/1934 Bouwers H01J 35/16
313/240
2,327,586 A * 8/1943 Atlee H01J 35/02
313/149
3,973,156 A * 8/1976 Schreiber H01J 35/10
378/125
4,035,685 A * 7/1977 Jacob H01J 35/14
313/311
4,065,674 A * 12/1977 Lakerveld H01J 35/101
378/131
4,315,182 A * 2/1982 Furbee H01J 35/16
313/116

DESCRIPTION

FIG. 1 is a perspective view of a X-ray tube for medical device showing our new design,
FIG. 2 is a front elevational view thereof,
FIG. 3 is a rear elevational view thereof,
FIG. 4 is a right side elevational view, a left side elevational view being a mirror image thereof,
FIG. 5 is a top plan view thereof; and,
FIG. 6 is a bottom plan view thereof.
The long-short broken lines represent the bounds of the claim, and all other broken lines are directed to environment and are for illustrative purposes only. None of the broken lines form a part of the claimed design.

1 Claim, 3 Drawing Sheets

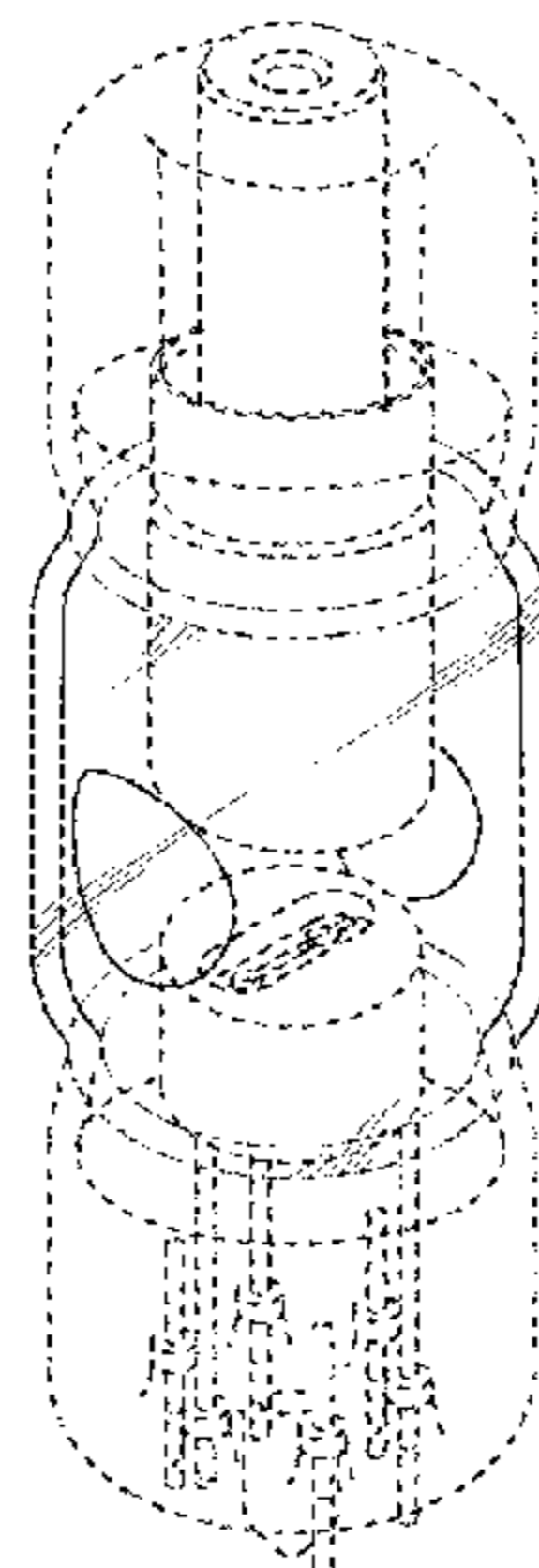


Fig. 1

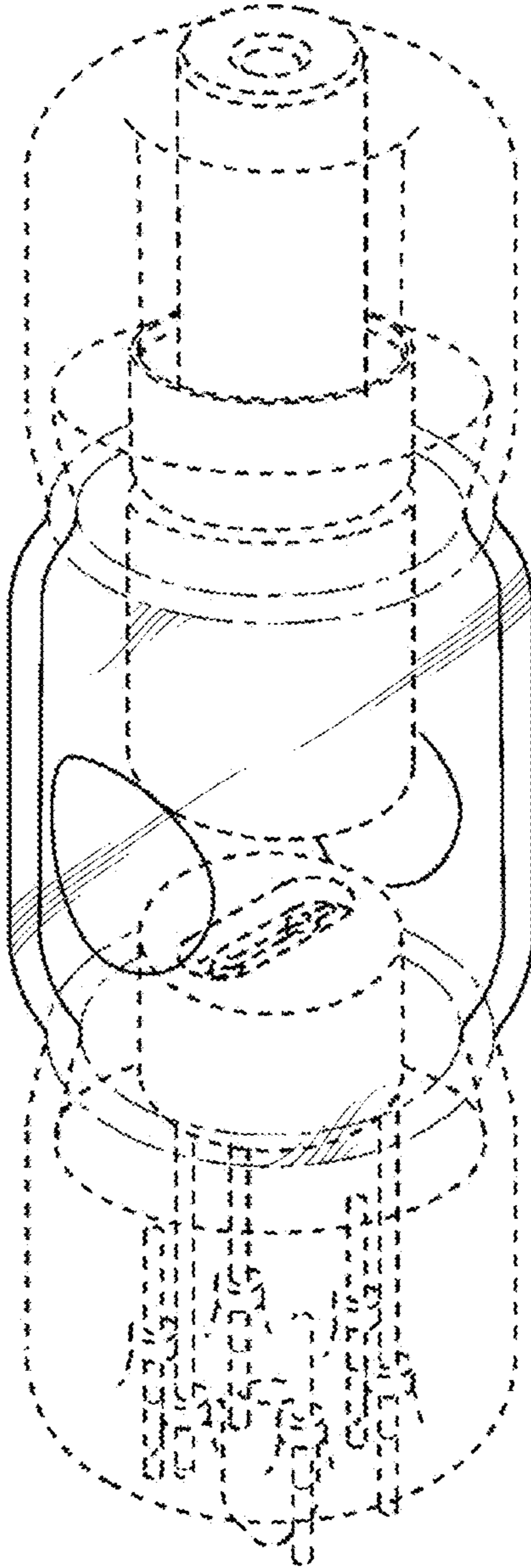


Fig. 2

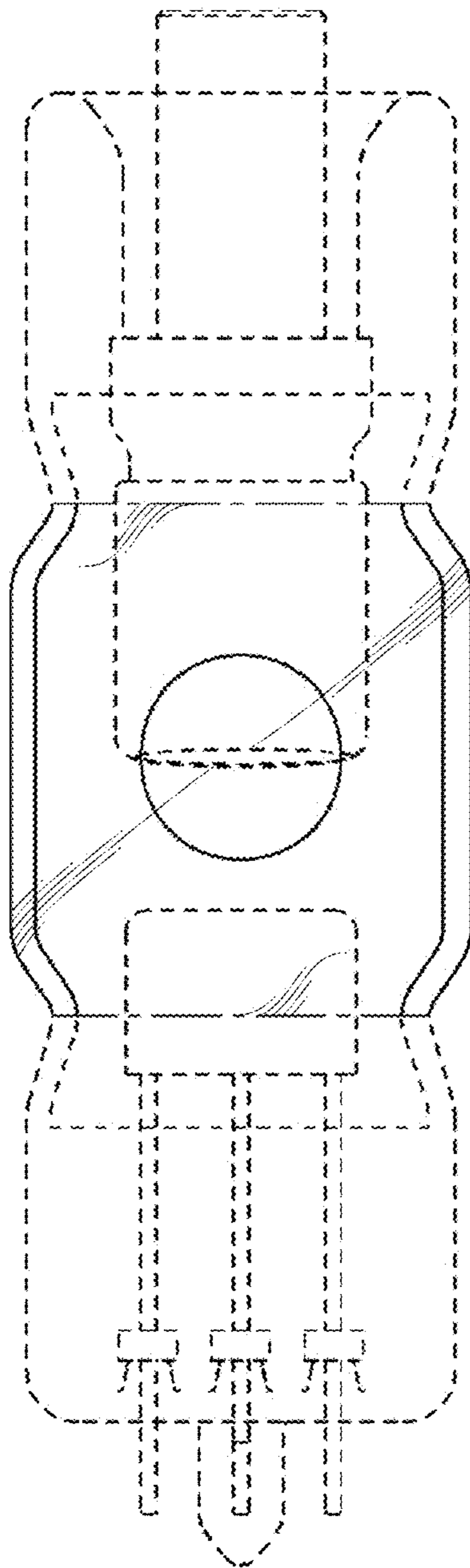


Fig. 3

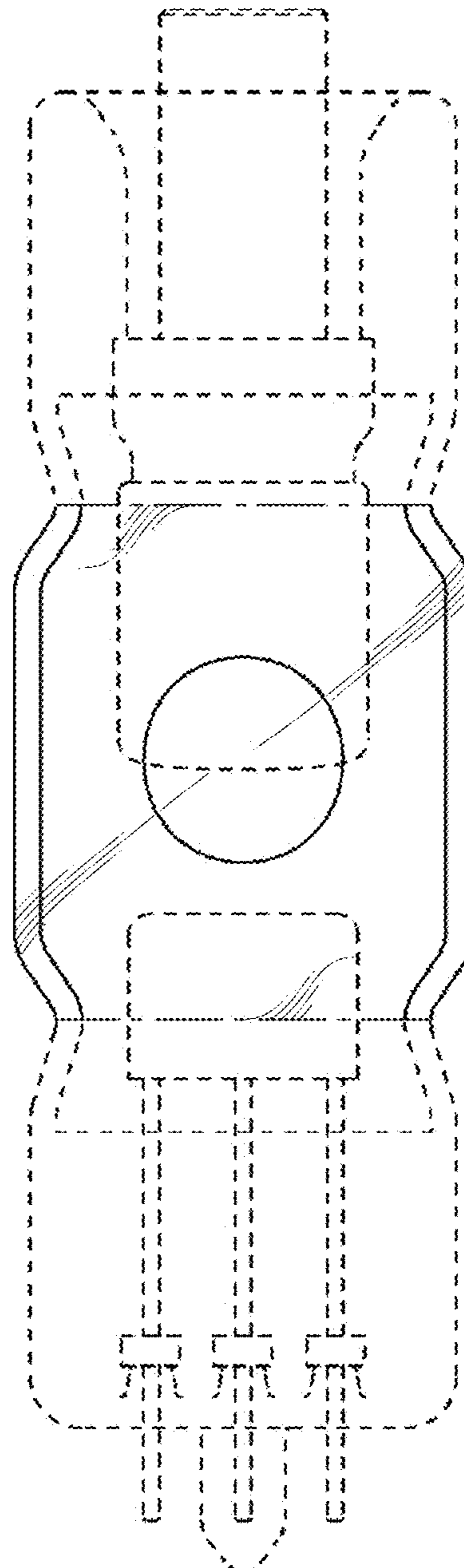


Fig. 4

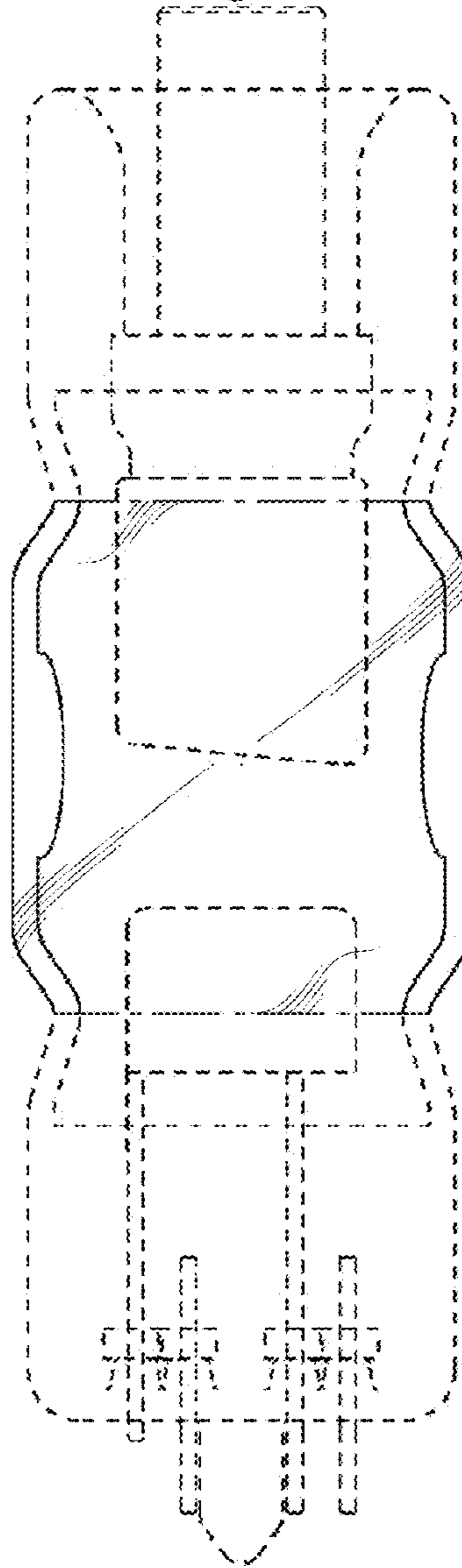


Fig. 5

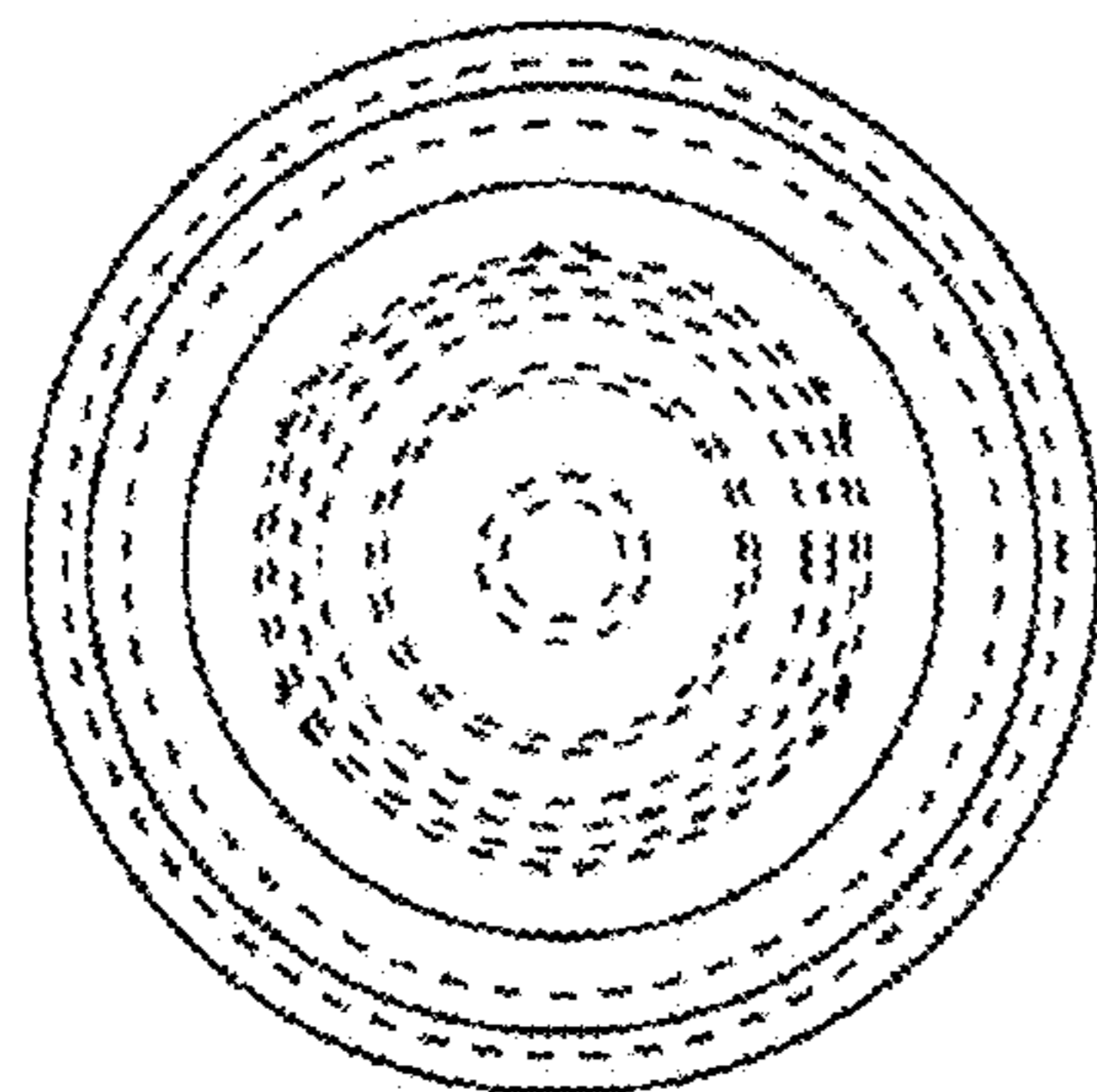


Fig. 6

