



US00D755385S

(12) **United States Design Patent**  
**Fairbanks et al.**

(10) **Patent No.:** **US D755,385 S**

(45) **Date of Patent:** **\*\* May 3, 2016**

(54) **BRACHYTHERAPY TEMPLATE**

(71) Applicant: **Kobold LLC**, Veradale, WA (US)

(72) Inventors: **Robert K. Fairbanks**, Greenacres, WA (US); **Spencer J. Fillmore**, Greenacres, WA (US); **Wayne T. Lamoreaux**, Greenacres, WA (US); **Christopher M. Lee**, Greenacres, WA (US)

(73) Assignee: **KOBOLD, LLC**, Veradale, WA (US)

(\*\*) Term: **14 Years**

(21) Appl. No.: **29/467,657**

(22) Filed: **Sep. 20, 2013**

(51) **LOC (10) Cl.** ..... **24-01**

(52) **U.S. Cl.**  
USPC ..... **D24/158**

(58) **Field of Classification Search**

USPC ..... D24/158-161, 140; D10/64, 65, 70, 71;  
378/162-165; 600/414, 420, 426, 1-8,  
600/427, 428, 439; 606/130  
CPC ..... A61N 5/1007; A61N 2005/1012;  
A61B 2017/3411

See application file for complete search history.

(56) **References Cited**

**U.S. PATENT DOCUMENTS**

D320,074 S \* 9/1991 Frost et al. .... D24/158  
6,036,632 A \* 3/2000 Whitmore et al. .... 600/7  
D448,801 S \* 10/2001 Lariviere et al. .... D10/64  
6,579,262 B1 \* 6/2003 Mick et al. .... 604/116  
D634,010 S \* 3/2011 DeCarlo ..... D24/140  
D656,424 S \* 3/2012 Bentley ..... D10/70  
8,834,339 B2 \* 9/2014 Hannoun-Levi et al. .... 600/6  
D717,437 S \* 11/2014 Yamada ..... D24/158

D726,922 S \* 4/2015 Ishihara ..... D24/158  
2010/0268014 A1 \* 10/2010 Pitman ..... 600/7  
2013/0012757 A1 \* 1/2013 Helle et al. .... 600/7

**OTHER PUBLICATIONS**

Liberty Medical Inc, Disposable Prostate Templates, retrieved from the Internet Sep. 15, 2015, <http://www.libertymedicalinc.com>, 1 page.

Product Catalog: Best Medical International, healthcare for everyone Team Best Your True Partner, 120 pages, relevant pp. 104-118, 2013.  
Product Catalog: Varian Medical Systems, "Varian Brachytherapy Applicators and Accessories", Copyright 2011 Varian Medical Systems, Inc., 147 pages, relevant pp. 64-69.

\* cited by examiner

*Primary Examiner* — Anhdao Doan

(74) *Attorney, Agent, or Firm* — Workman Nydegger

(57) **CLAIM**

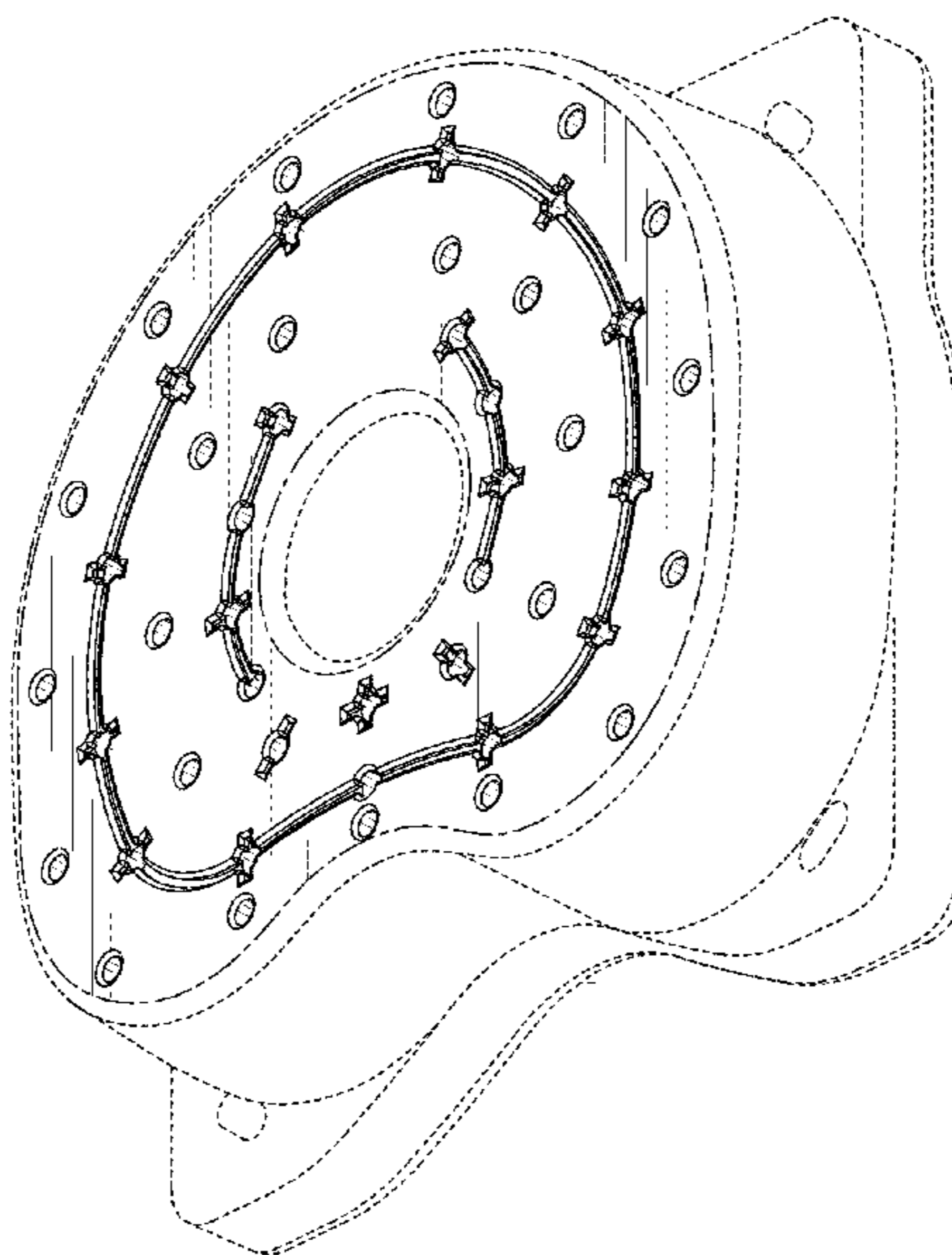
The ornamental design for a brachytherapy template, as shown and described.

**DESCRIPTION**

FIG. 1 is a first front perspective view of a brachytherapy template, showing our new design;  
FIG. 2 is second front perspective view thereof;  
FIG. 3 is a front elevational view thereof;  
FIG. 4 is a back elevational view thereof;  
FIG. 5 is a first side elevational view thereof;  
FIG. 6 is a second side elevational view thereof;  
FIG. 7 is a top view thereof; and,  
FIG. 8 is a bottom view thereof.

Portions in broken lines for the purpose of illustrating environmental structure and form no part of the claimed design. The dot-dash broken lines define, but are not included in, the boundaries of the claim design.

**1 Claim, 6 Drawing Sheets**



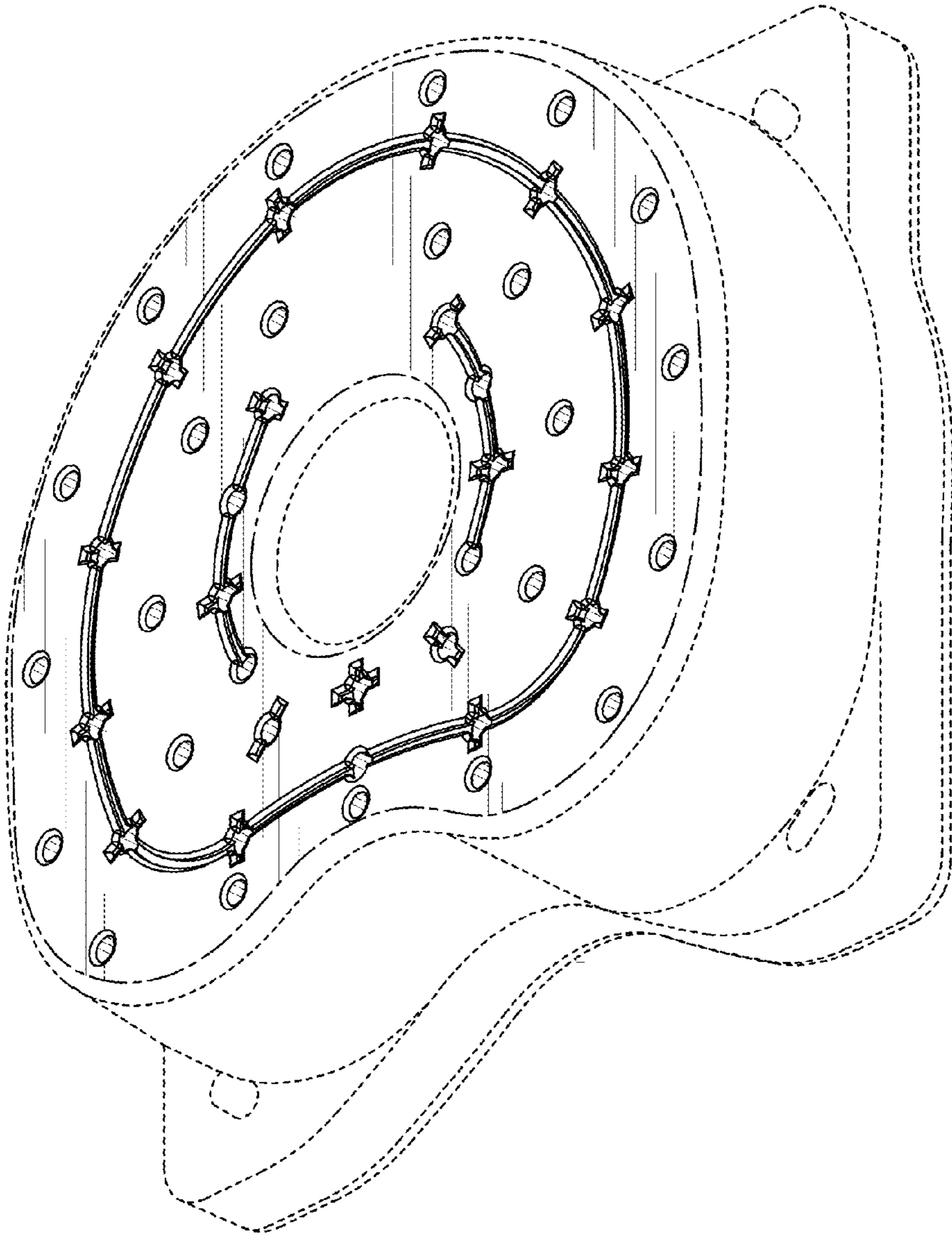


FIG. 1

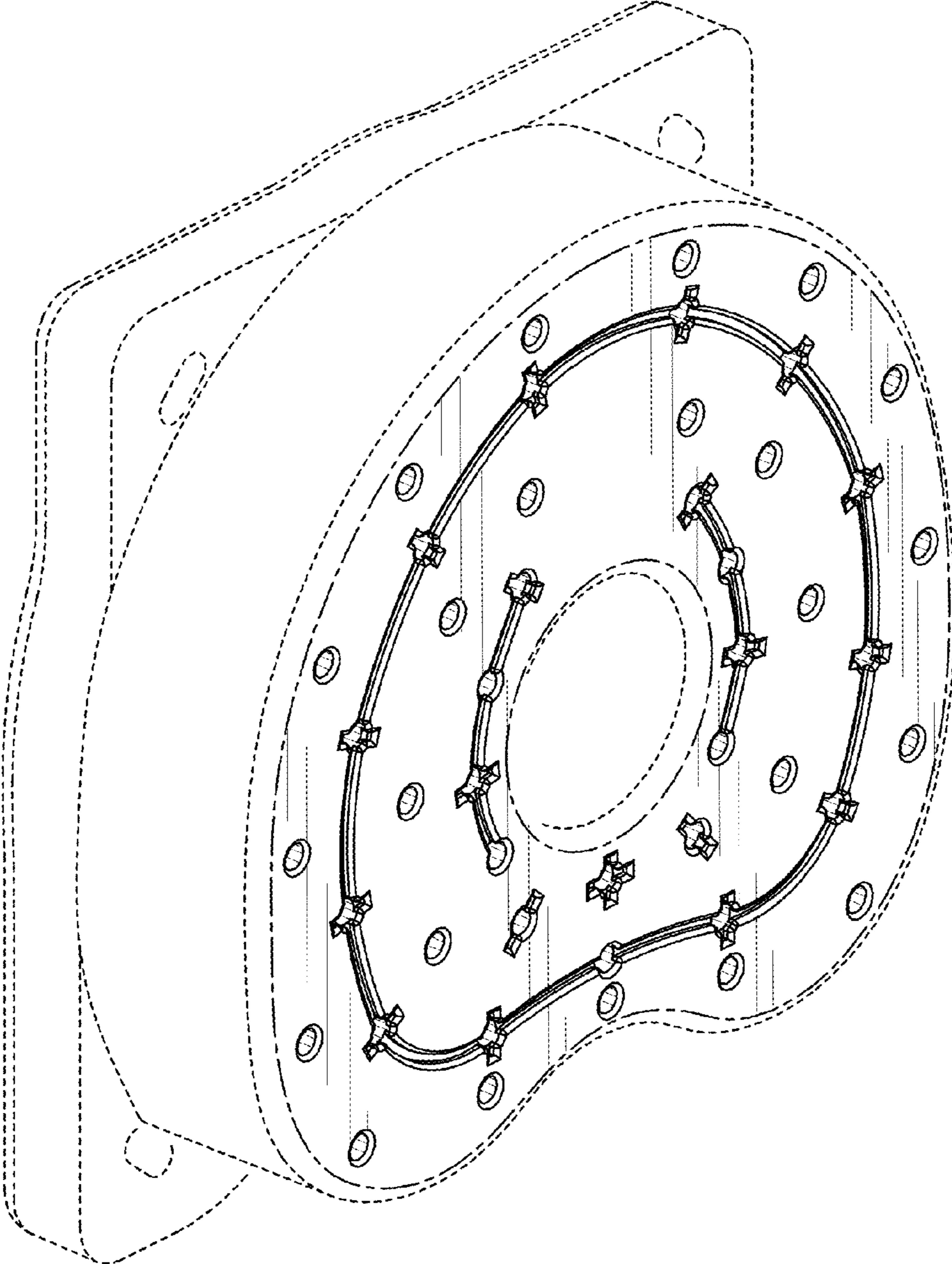


FIG. 2

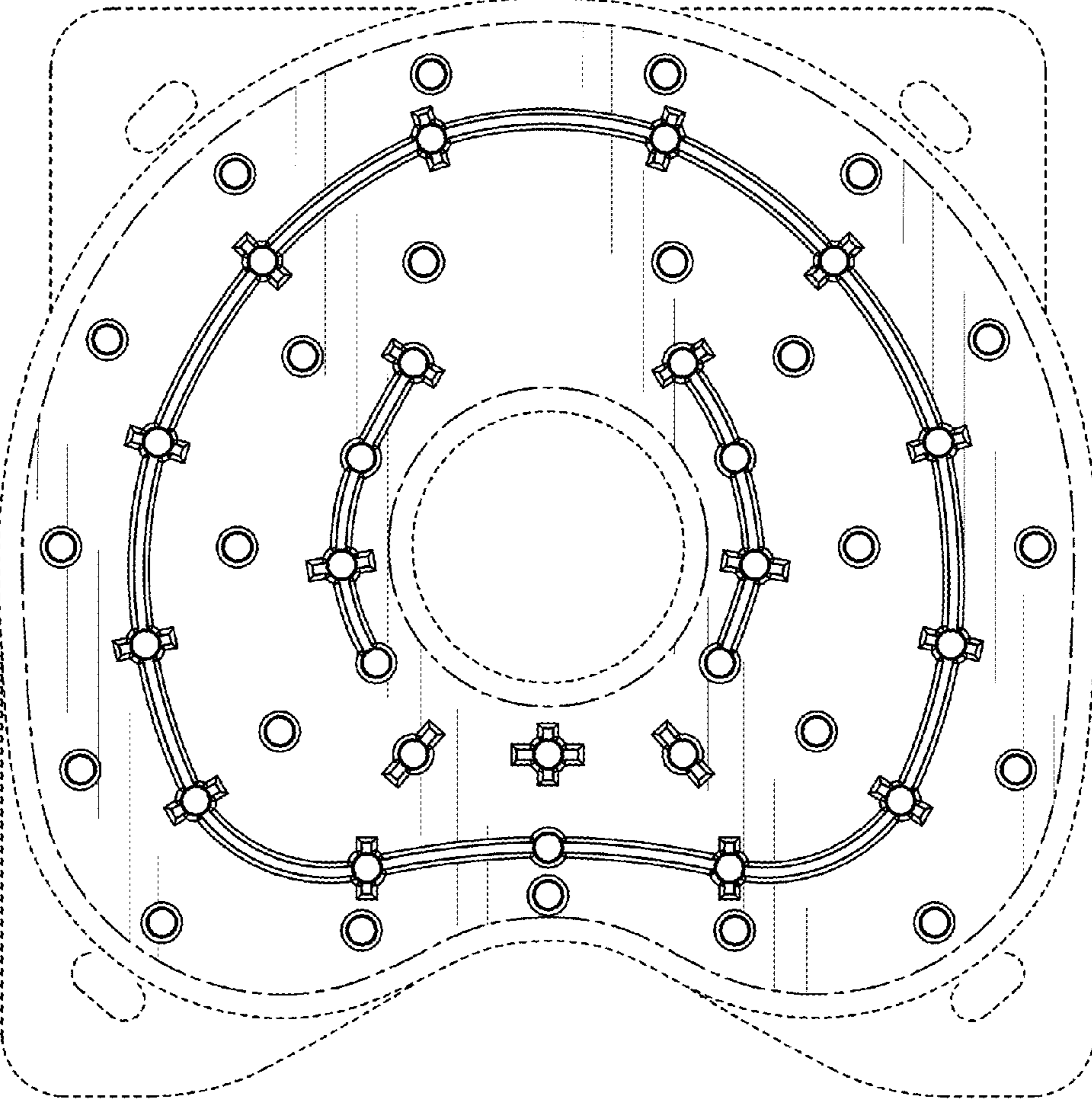


FIG. 3

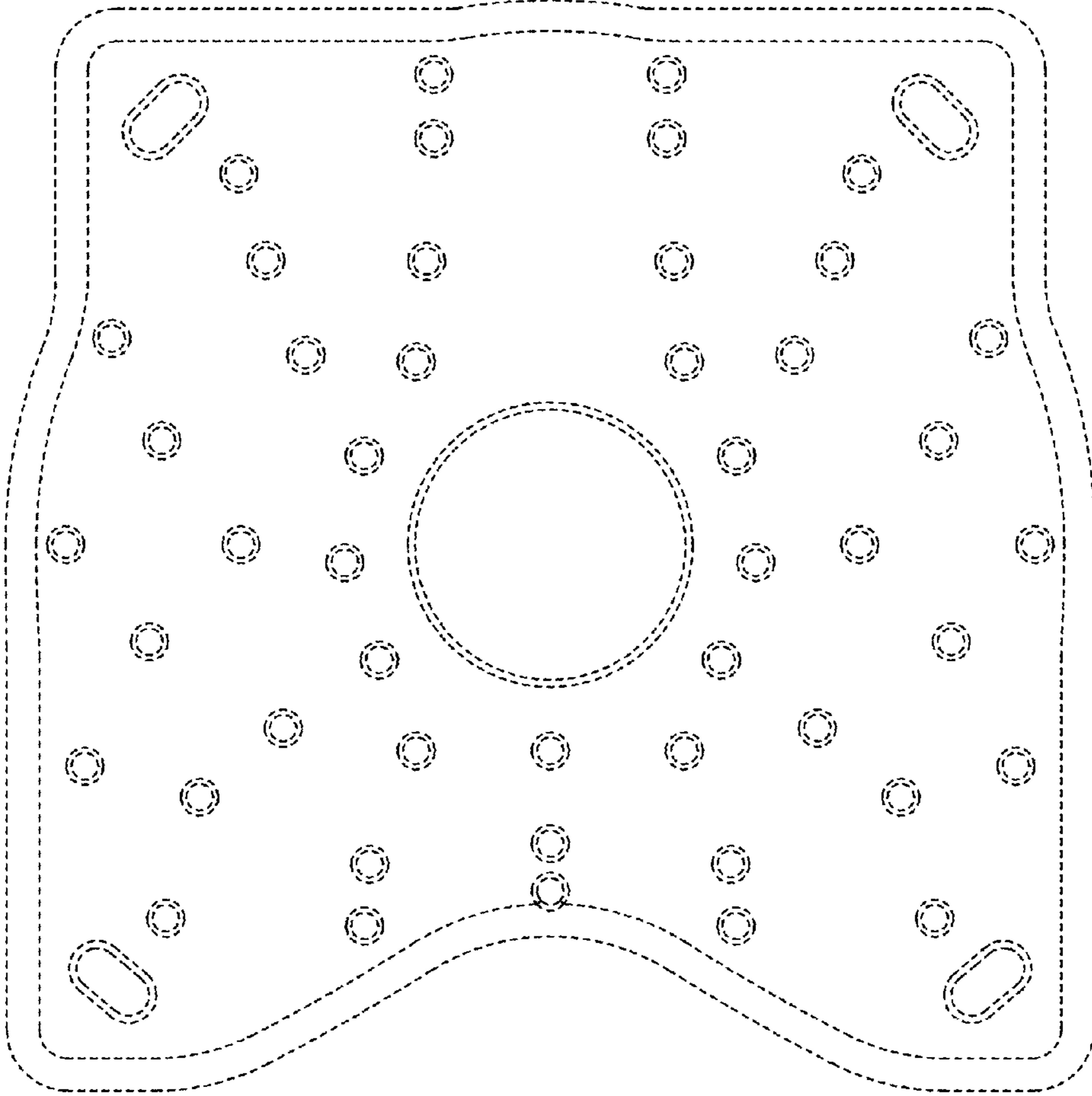
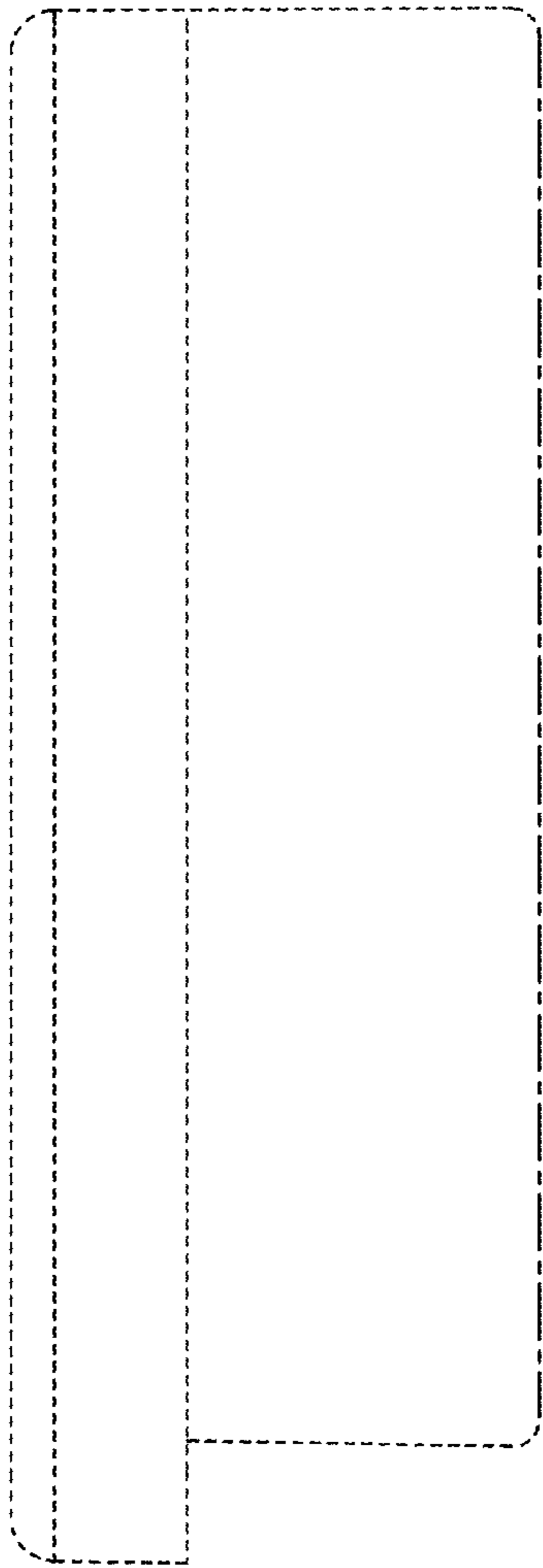
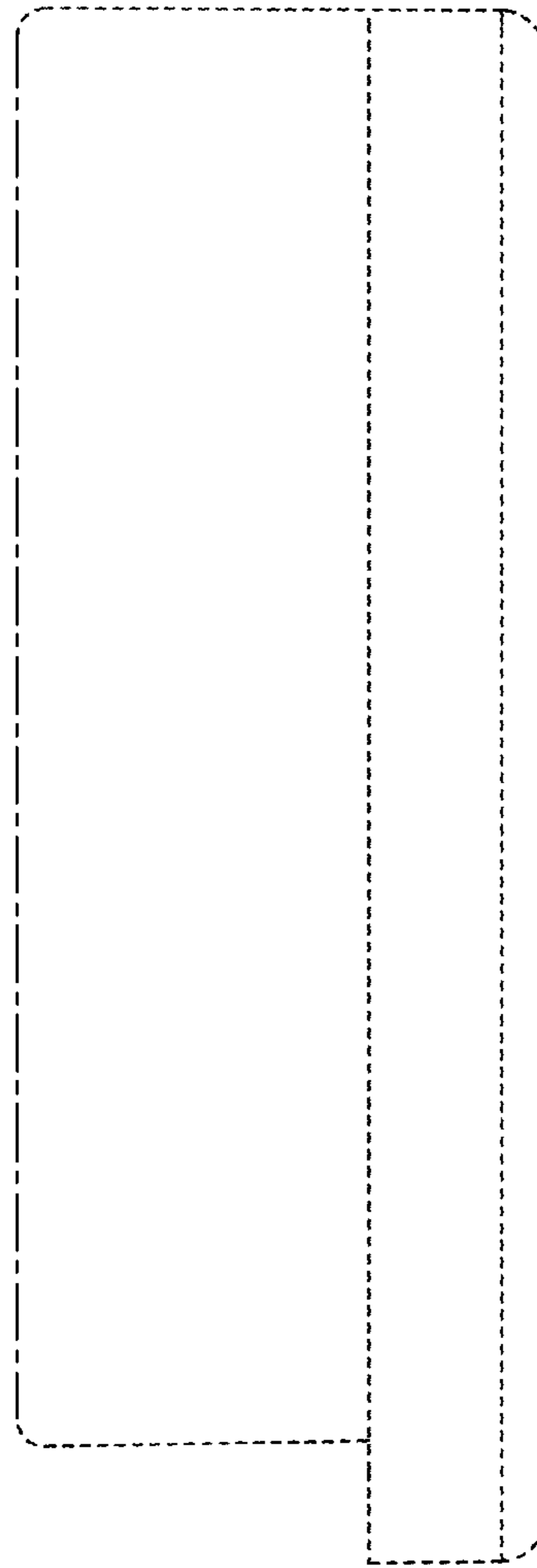


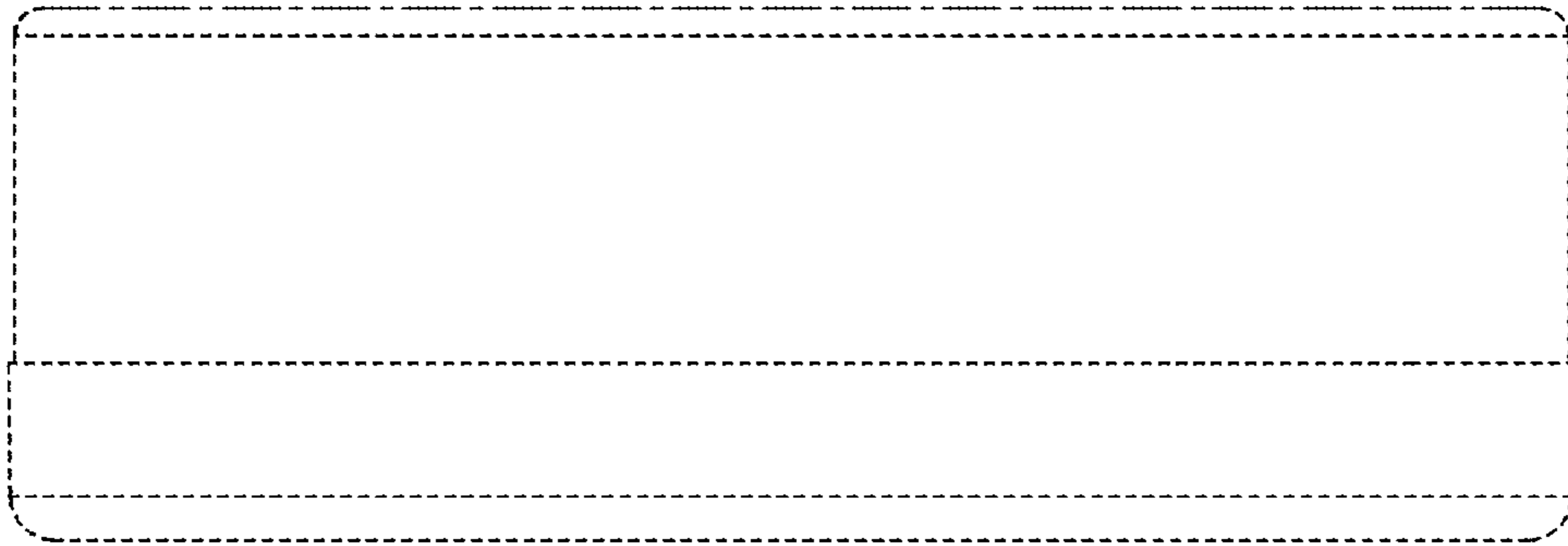
FIG. 4



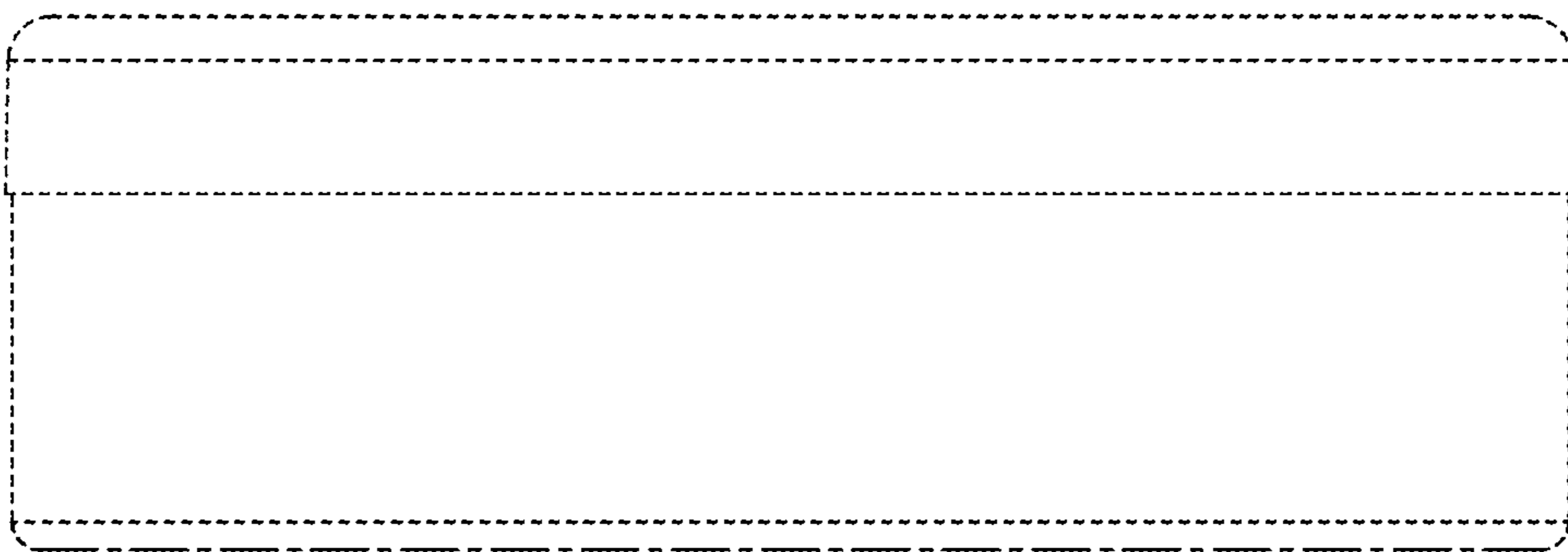
**FIG. 5**



**FIG. 6**



**FIG. 7**



**FIG. 8**