

US00D755383S

(12) **United States Design Patent**  
**Pfister et al.**

(10) **Patent No.:** **US D755,383 S**

(45) **Date of Patent:** **\*\* May 3, 2016**

(54) **HANDPIECE**

(71) Applicant: **AESCULAP AG**, Tuttlingen (DE)

(72) Inventors: **Ralf Pfister**, Trossingen (DE); **Florian Kraft**, Neuhausen ob Eck (DE)

(73) Assignee: **AESCULAP AG**, Tuttlingen (DE)

(\*\*) Term: **14 Years**

(21) Appl. No.: **29/485,547**

(22) Filed: **Mar. 19, 2014**

(30) **Foreign Application Priority Data**

Sep. 23, 2013 (EM) ..... 002313809-0036

(51) **LOC (10) Cl.** ..... **24-02**

(52) **U.S. Cl.**  
USPC ..... **D24/144**

(58) **Field of Classification Search**  
USPC ..... D24/144, 133, 146-147; D8/107;  
606/167, 170-171, 180, 62, 32; 604/22  
CPC ..... A61B 17/00; A61B 17/1622; A61B  
17/1624; A61B 17/1626; A61B 17/32; A61B  
17/320016

See application file for complete search history.

(56) **References Cited**

U.S. PATENT DOCUMENTS

4,932,952 A \* 6/1990 Wojciechowicz, Jr. .... 606/49  
D358,208 S \* 5/1995 Niven ..... D24/133

D376,204 S \* 12/1996 Huculak ..... D24/133  
6,183,435 B1 \* 2/2001 Bumbalough .... A61M 25/0147  
D24/133  
D483,475 S \* 12/2003 Kirwan ..... D24/108  
D619,707 S \* 7/2010 East ..... D24/133  
9,101,337 B2 \* 8/2015 Hoegerle ..... A61B 17/1622  
2005/0096683 A1 \* 5/2005 Ellins ..... A61C 1/10  
606/170  
2006/0041268 A1 \* 2/2006 Shores ..... A61C 1/10  
606/180  
2014/0051304 A1 \* 2/2014 Hoegerle et al. .... 439/660

\* cited by examiner

Primary Examiner — Wan Laymon

(74) Attorney, Agent, or Firm — Kenealy Vaidya LLP

(57) **CLAIM**

The ornamental design for a handpiece, as shown and described.

**DESCRIPTION**

FIG. 1 is a bottom perspective view of a handpiece showing our new design;  
FIG. 2 is a bottom view of the handpiece;  
FIG. 3 is a top view of the handpiece;  
FIG. 4 is a side view of the handpiece;  
FIG. 5 is a first end view of the handpiece;  
FIG. 6 is a second end view of the handpiece; and,  
FIG. 7 is a top perspective view of the handpiece.  
The broken lines shown in the figures represent portions of the handpiece that form no part of the claimed design.

**1 Claim, 7 Drawing Sheets**

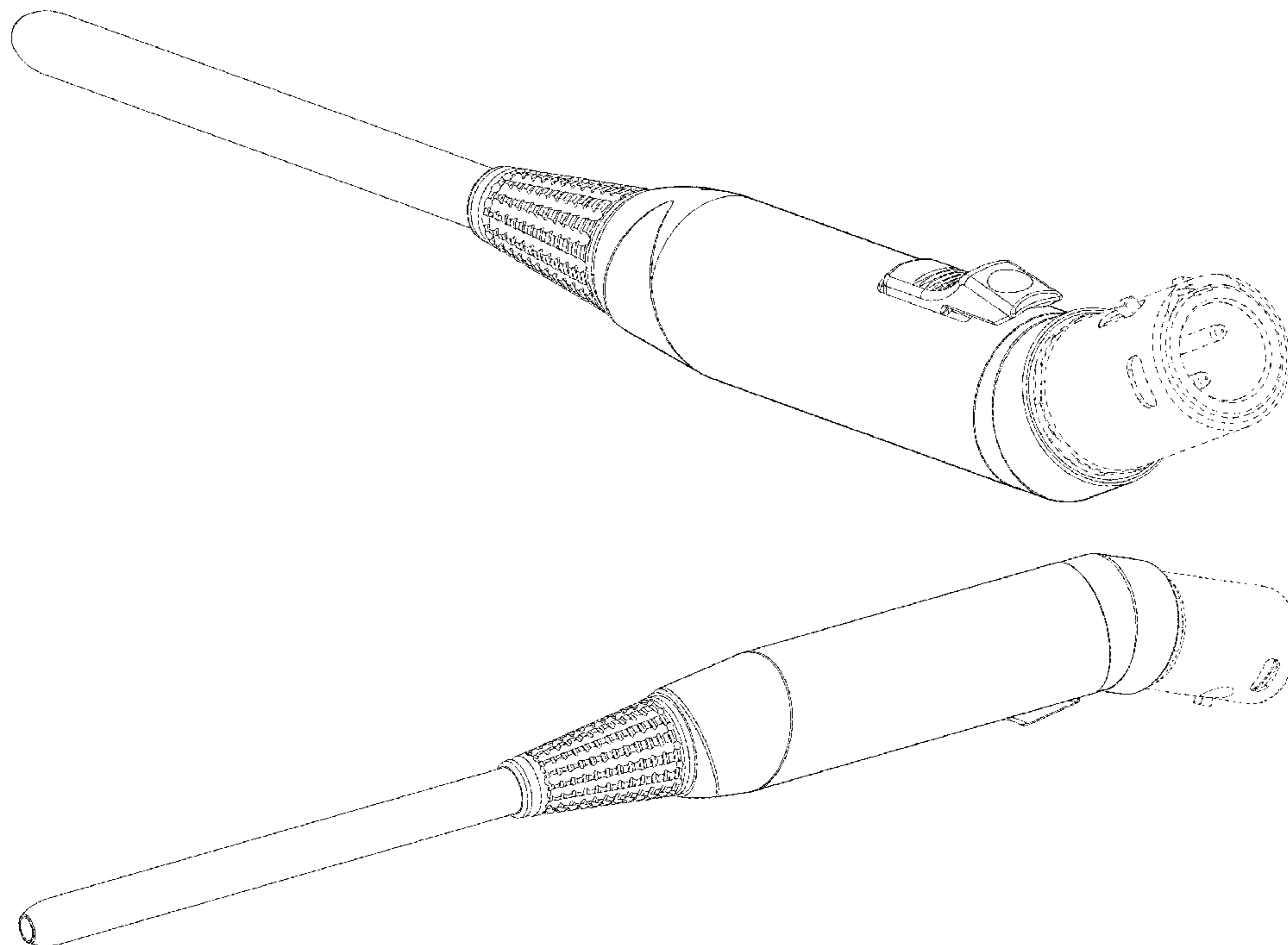


FIG. 1

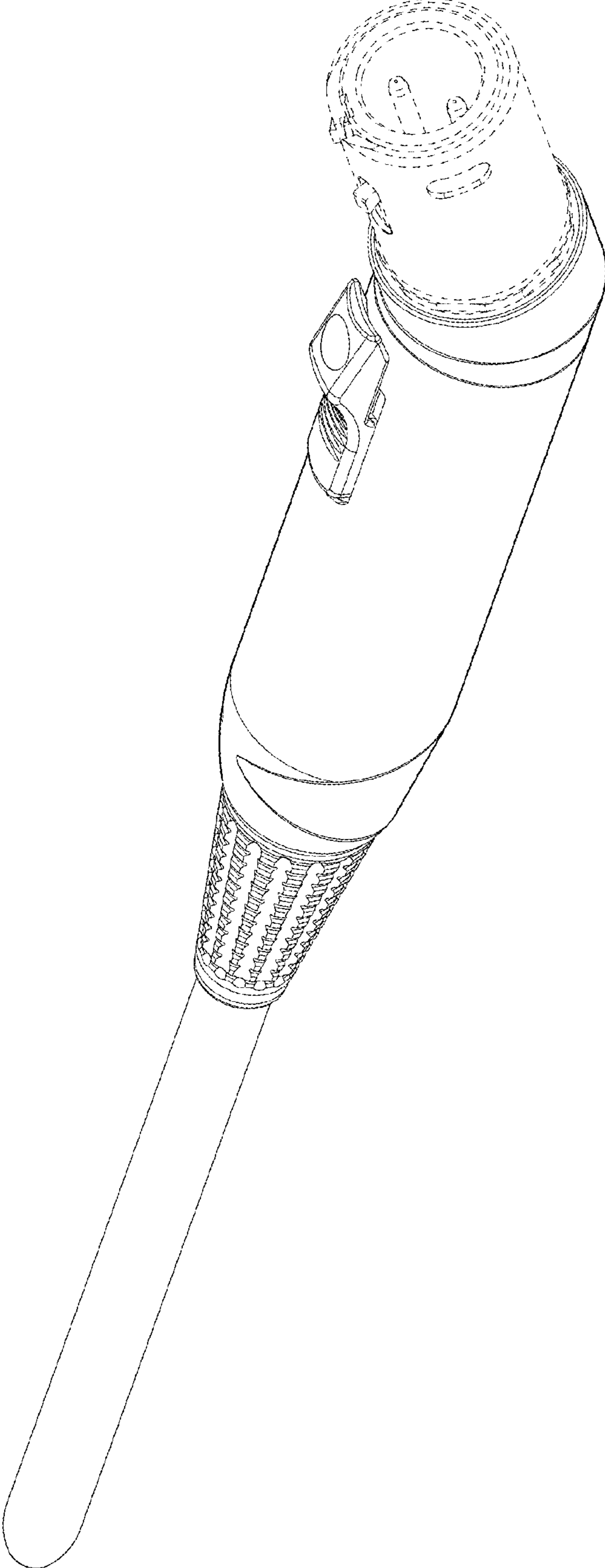


FIG. 2

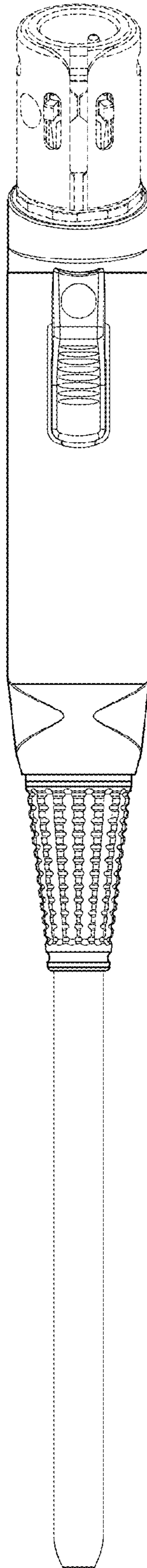


FIG. 3

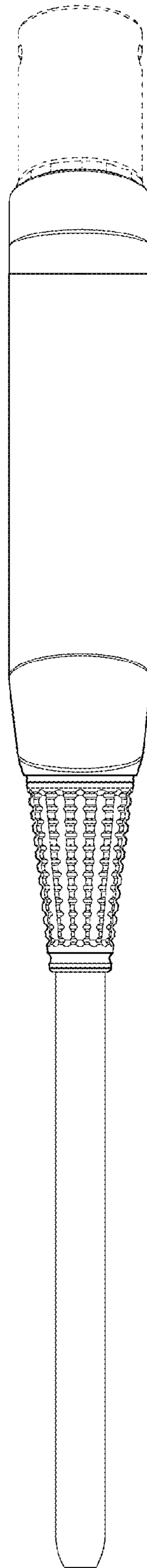


FIG. 4

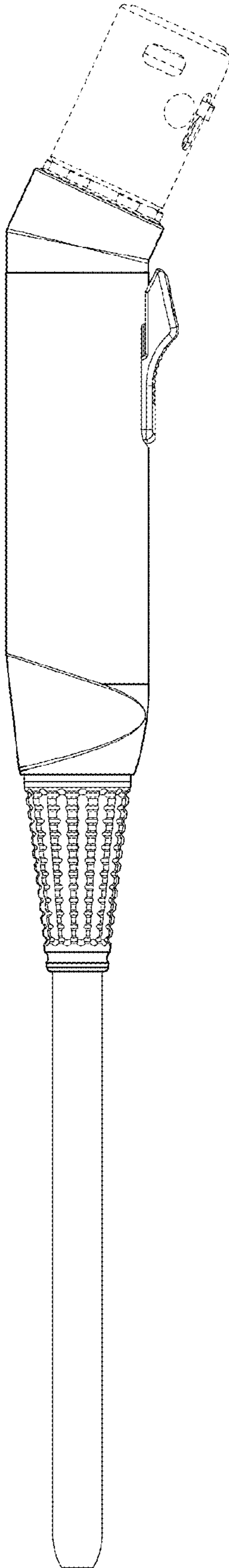


FIG. 5

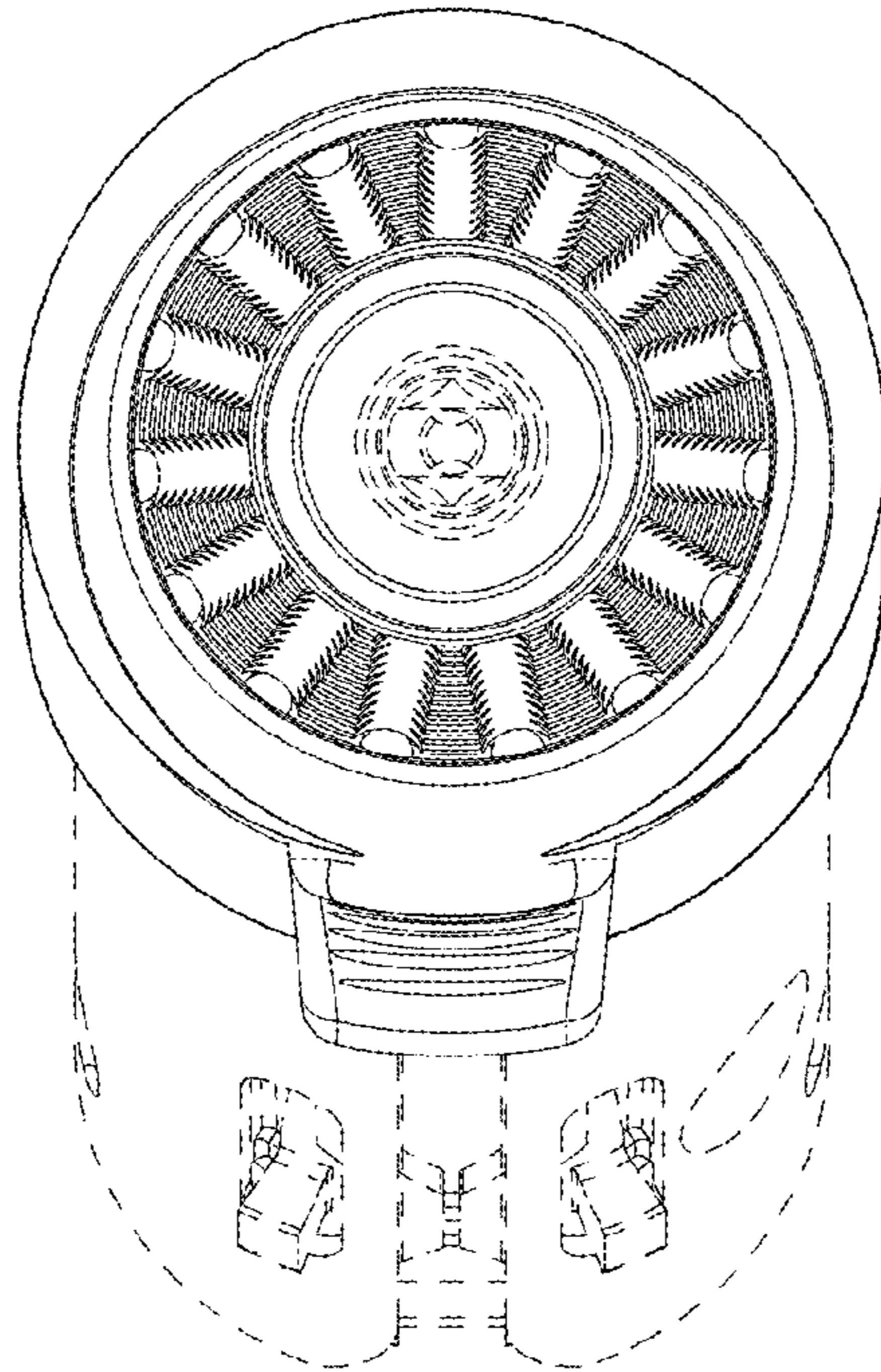


FIG. 6

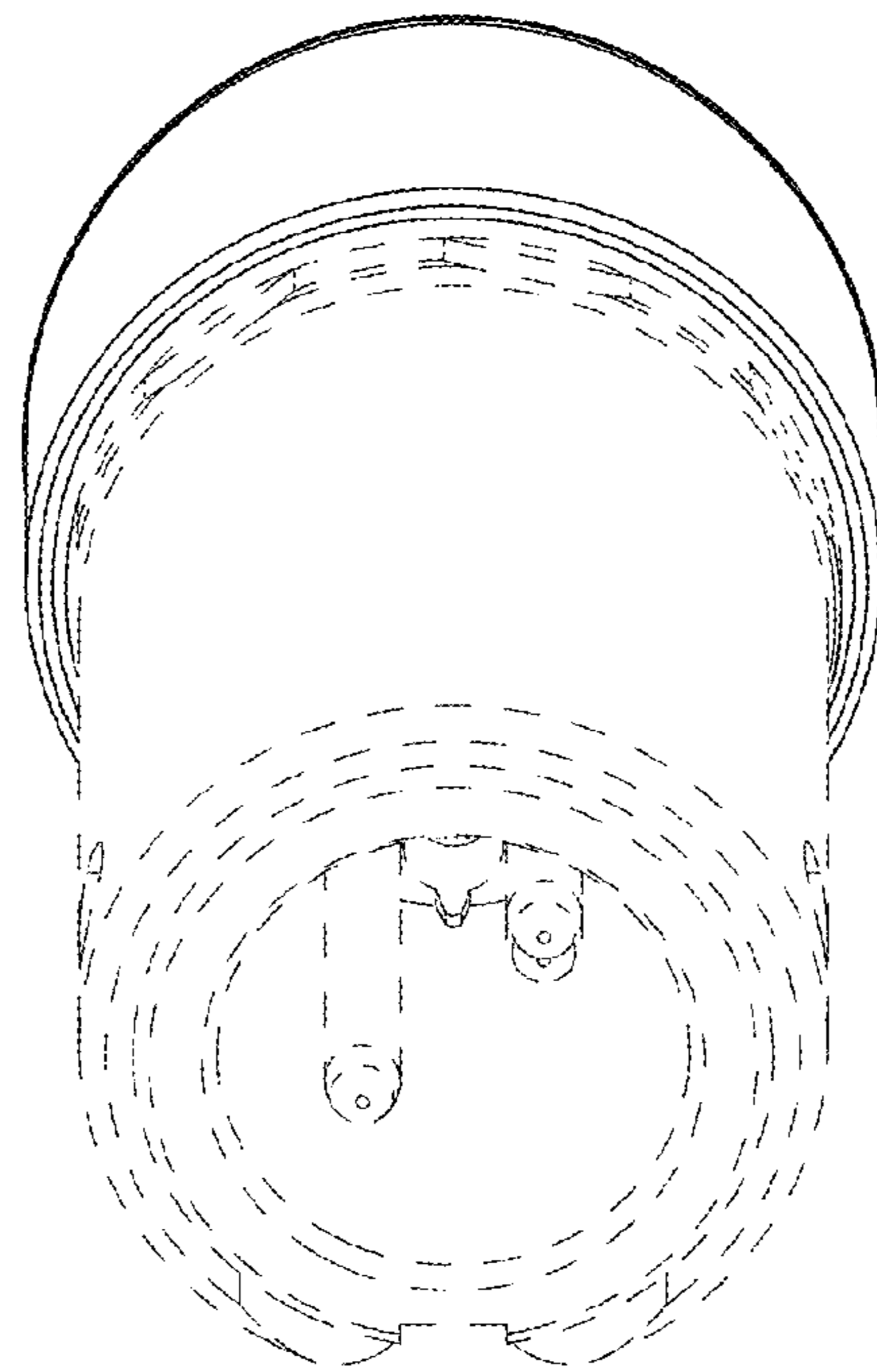


FIG. 7

