



US00D755379S

(12) **United States Design Patent**  
**Amano**

(10) **Patent No.:** **US D755,379 S**  
(45) **Date of Patent:** **\*\* May 3, 2016**

(54) **INDUSTRIAL ENDOSCOPE**

(56) **References Cited**

(71) Applicant: **OLYMPUS CORPORATION**,  
Shibuya-ku, Tokyo (JP)

(72) Inventor: **Hirotooshi Amano**, Hachioji (JP)

(73) Assignee: **OLYMPUS CORPORATION**, Tokyo  
(JP)

(\*\*) Term: **14 Years**

(21) Appl. No.: **29/514,170**

(22) Filed: **Jan. 8, 2015**

(30) **Foreign Application Priority Data**

Aug. 29, 2014 (JP) ..... 2014-019085

(51) **LOC (10) Cl.** ..... **24-02**

(52) **U.S. Cl.**  
USPC ..... **D24/138**

(58) **Field of Classification Search**  
USPC ..... D24/138, 133, 137; 600/109, 110, 117,  
600/131, 132, 136, 137, 138, 139, 129, 146,  
600/158, 160, 163, 167, 197  
CPC .. A61B 1/00039; A61B 1/00052; A61B 1/00;  
A61B 1/00066; G02B 23/2484; G02B 23/24

See application file for complete search history.

U.S. PATENT DOCUMENTS

8,182,416	B1 *	5/2012	Hosaka .....	A61B 1/00052
				600/131
D671,213	S *	11/2012	Funakoshi .....	D24/138
D671,214	S *	11/2012	Funakoshi .....	D24/138
8,801,605	B2 *	8/2014	Inada .....	A61B 1/00039
				600/139
8,821,379	B2 *	9/2014	Motoki .....	A61B 1/00039
				600/109
2013/0079594	A1 *	3/2013	Motoki .....	A61B 1/00039
				600/109

\* cited by examiner

*Primary Examiner* — Wan Laymon

*Assistant Examiner* — Mark Booker

(74) *Attorney, Agent, or Firm* — Holtz, Holtz & Volek PC

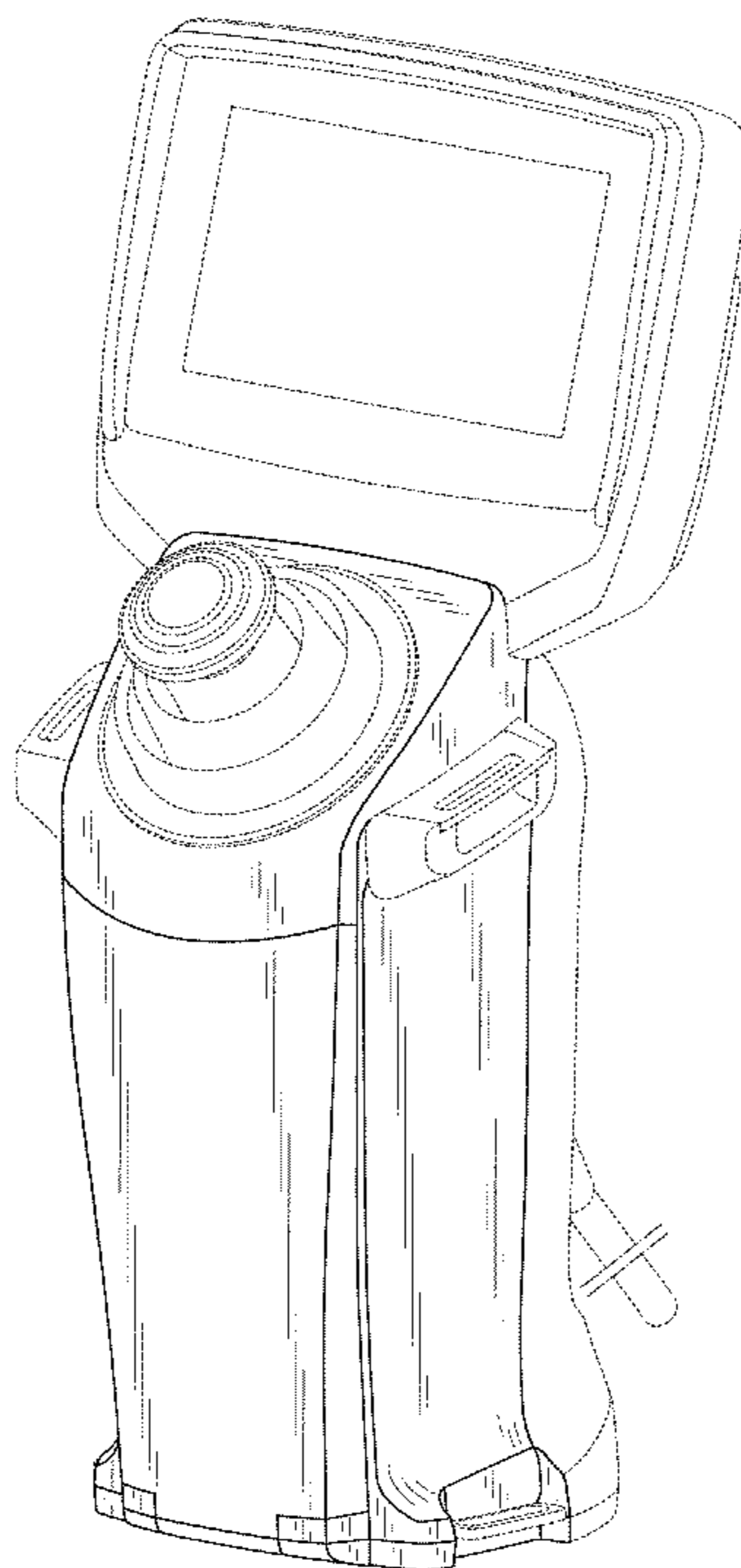
(57) **CLAIM**

The ornamental design for an industrial endoscope, as shown and described.

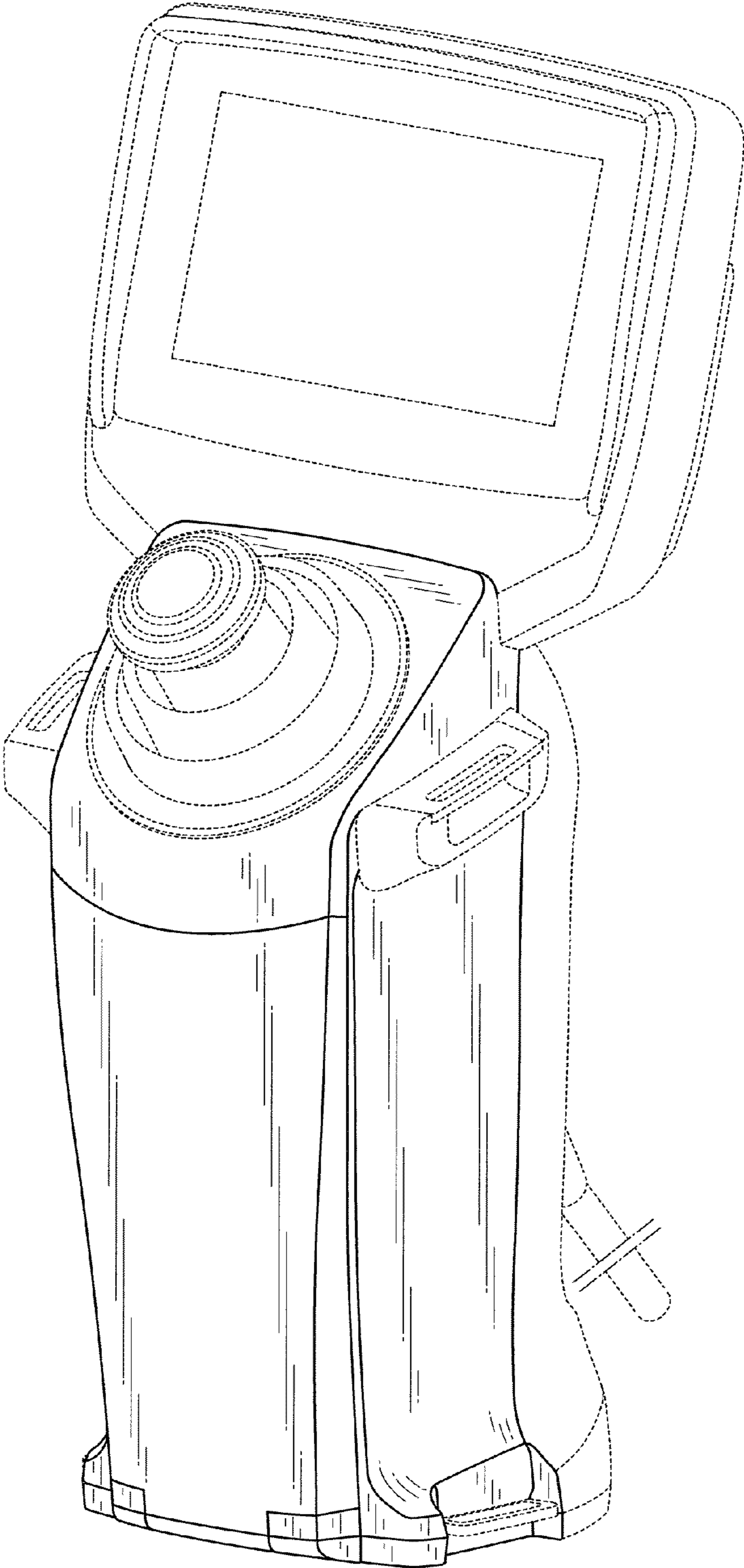
**DESCRIPTION**

FIG. 1 is a front, top and right side perspective view of an industrial endoscope showing my new design;  
FIG. 2 is a front elevational view thereof;  
FIG. 3 is a rear elevational view thereof;  
FIG. 4 is a top plan view thereof;  
FIG. 5 is a bottom plan view thereof;  
FIG. 6 is a right side elevational view thereof; and,  
FIG. 7 is a left side elevational view thereof.  
The broken lines shown in the figures represent portions of the industrial endoscope that form no part of the claimed design.

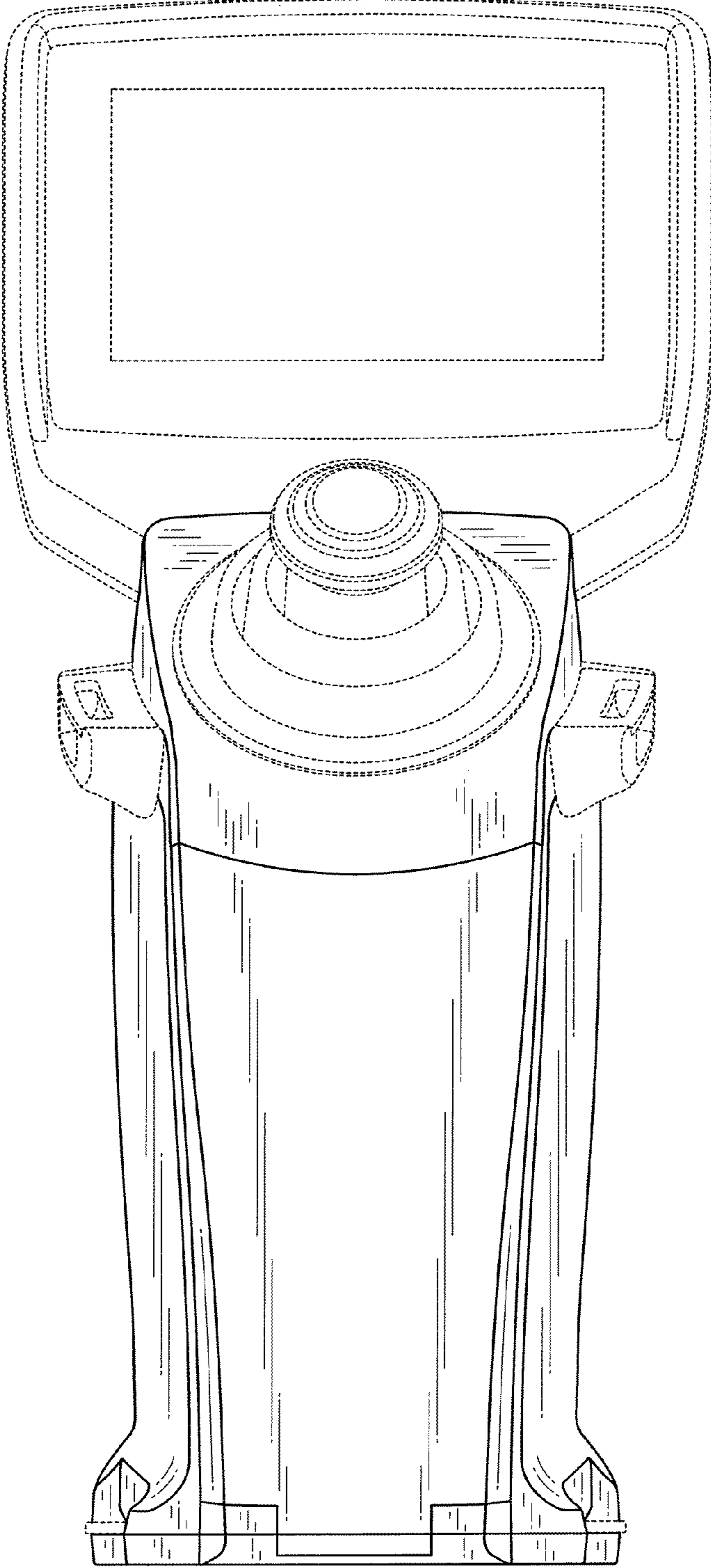
**1 Claim, 7 Drawing Sheets**



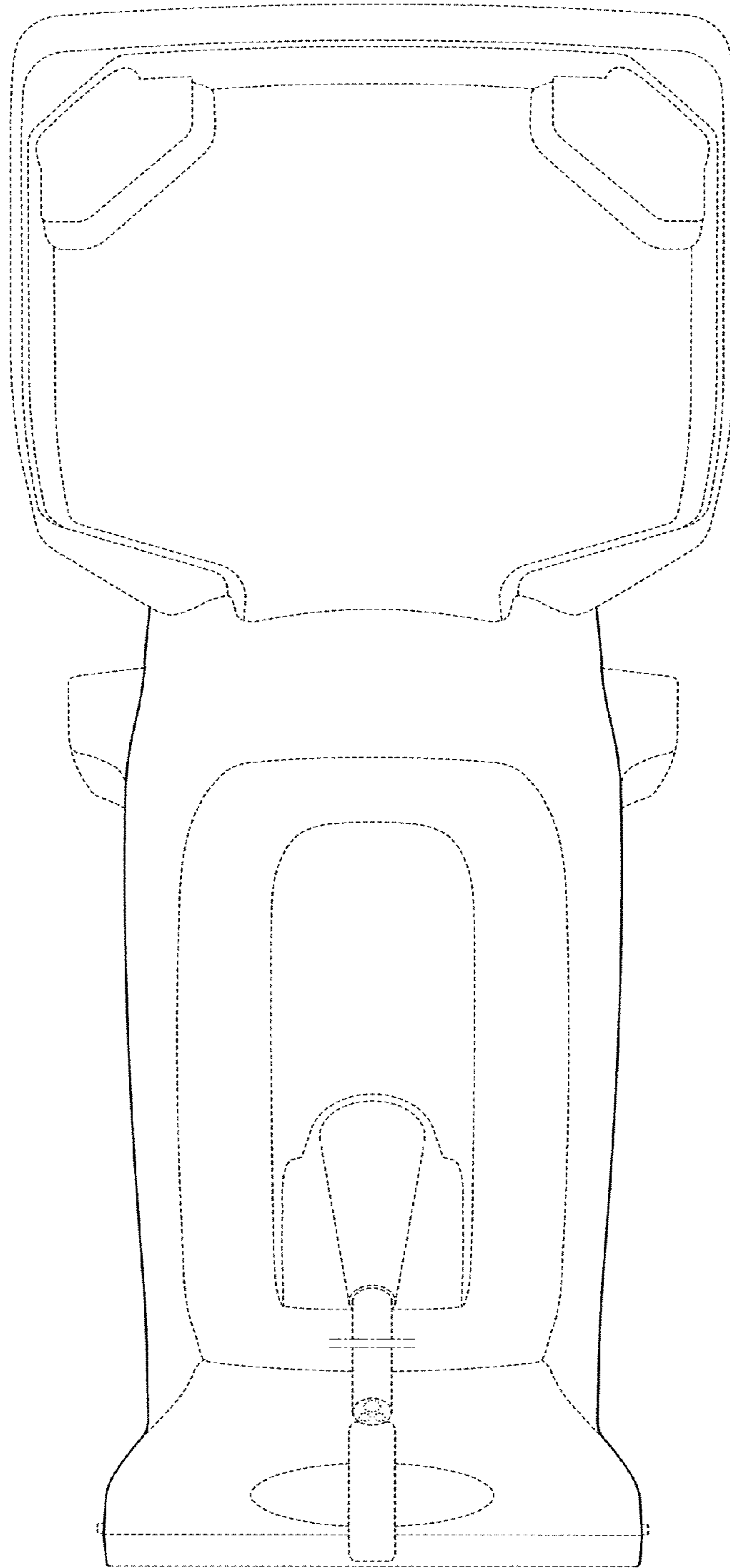
**FIG. 1**



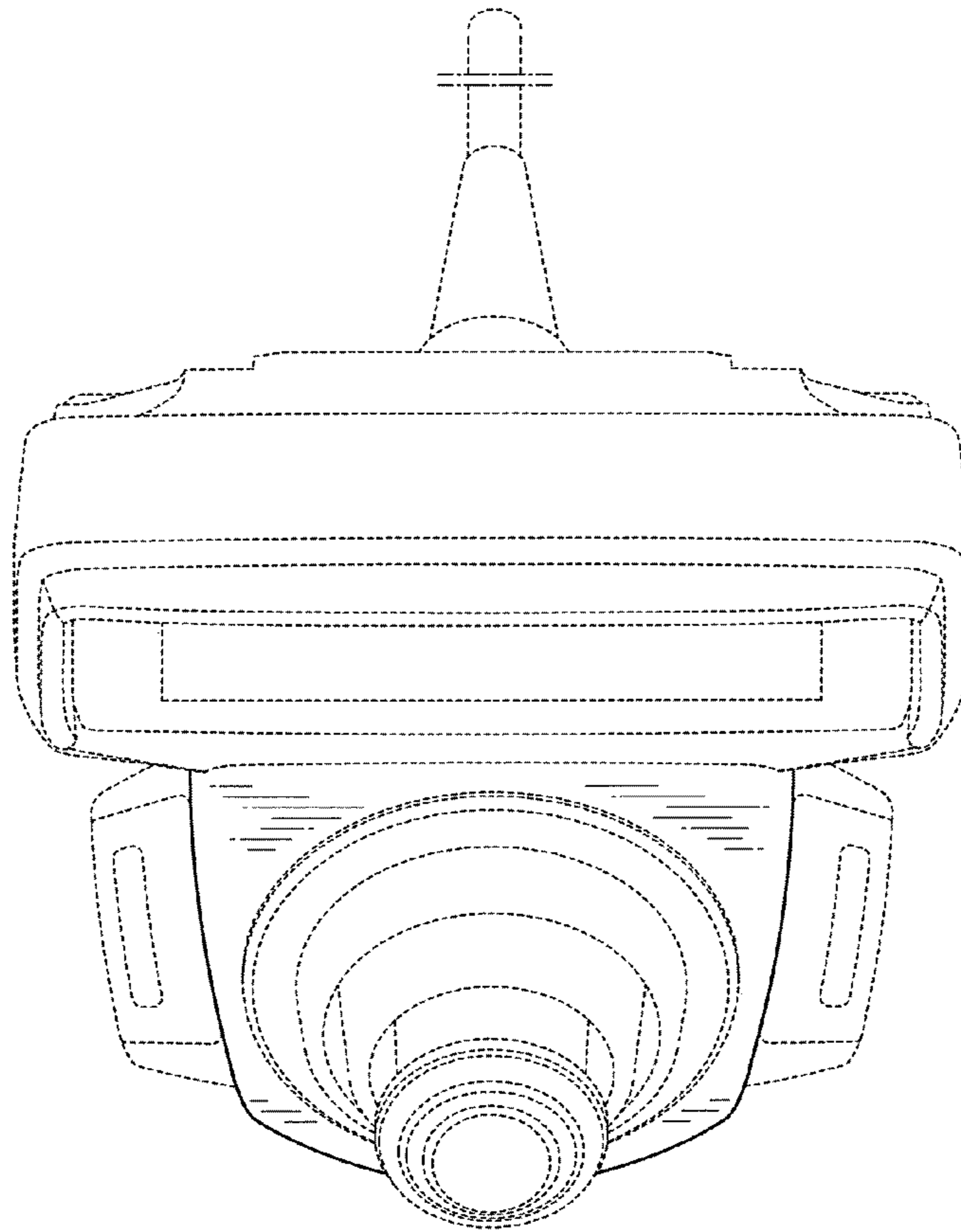
**FIG.2**



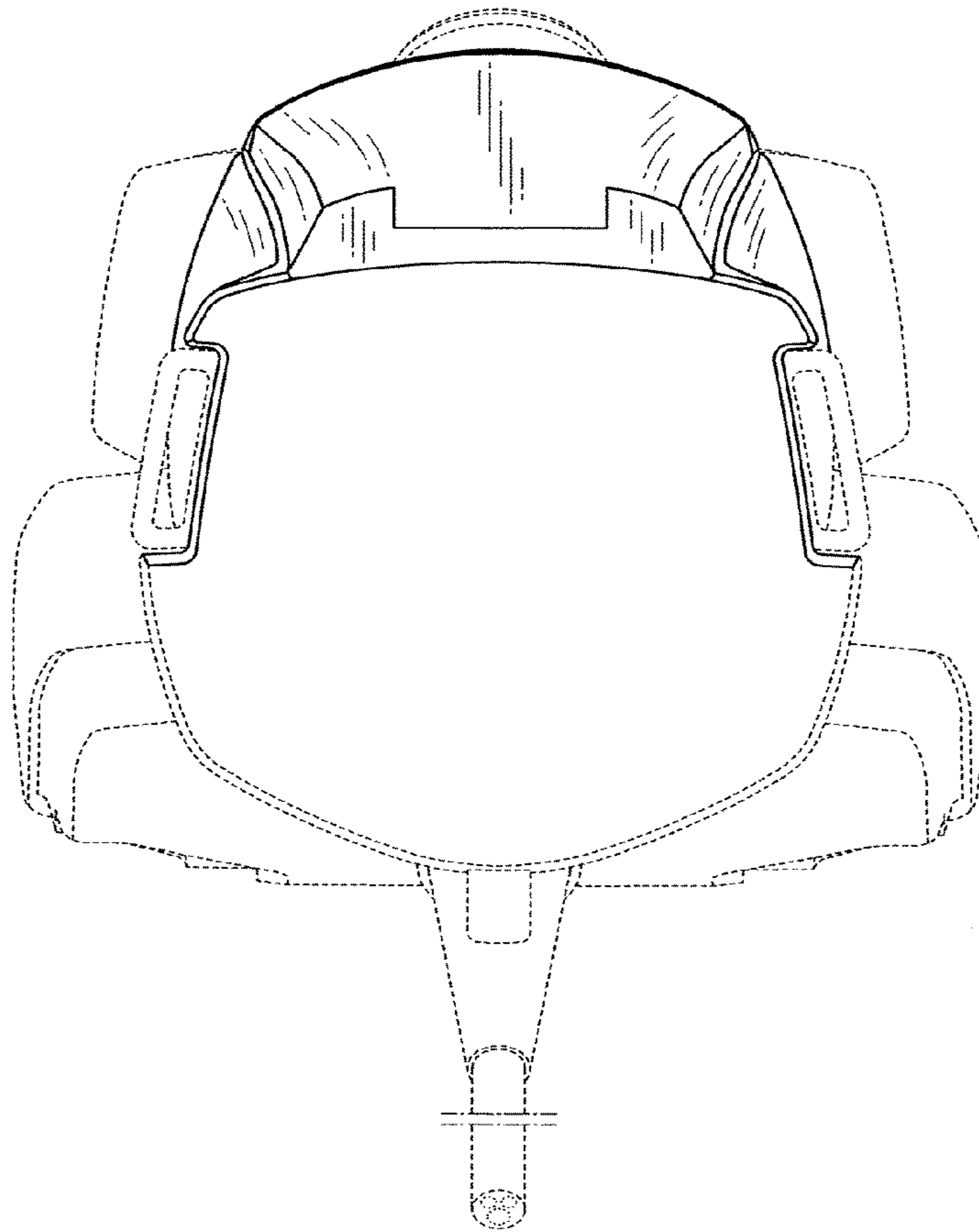
**FIG.3**



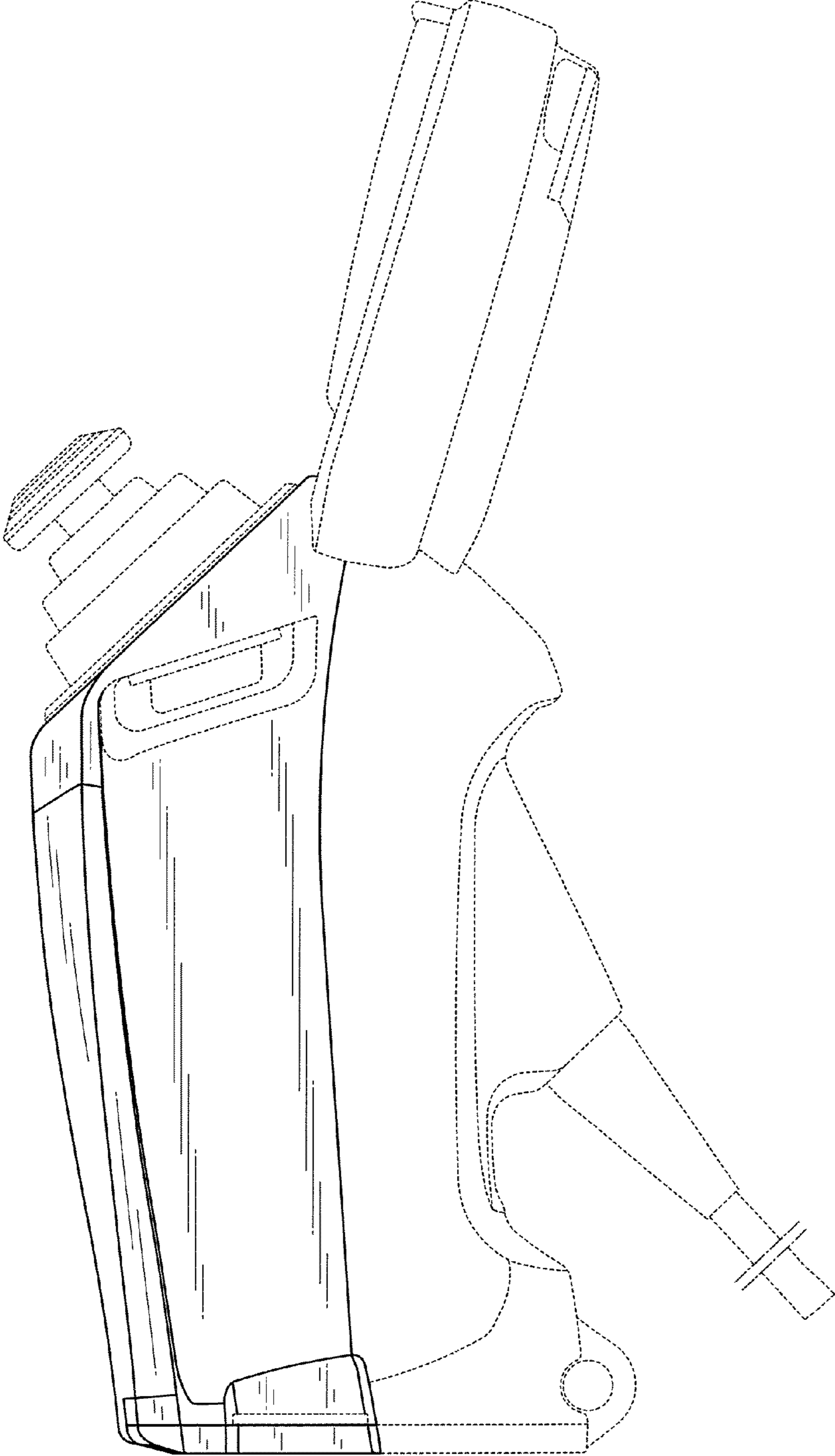
**FIG.4**



**FIG.5**



**FIG. 6**



**FIG.7**

