



US00D755377S

(12) **United States Design Patent**
Thouement et al.

(10) **Patent No.:** **US D755,377 S**

(45) **Date of Patent:** **** May 3, 2016**

(54) **NEUROENDOSCOPY SET**

(71) Applicant: **KARL STORZ GmbH & Co. KG**,
Tuttlingen (DE)

(72) Inventors: **Yann Thouement**, Les Essarts le Roi
(FR); **Philippe Decq**, Malakoff (FR);
Oliver Baumann, Tuttlingen (DE)

(73) Assignee: **KARL STORZ GmbH & Co. KG**,
Tuttlingen (DE)

(**) Term: **14 Years**

(21) Appl. No.: **29/487,076**

(22) Filed: **Apr. 4, 2014**

(30) **Foreign Application Priority Data**

Oct. 4, 2013 (EM) 002320127

(51) **LOC (10) Cl.** **24-02**

(52) **U.S. Cl.**
USPC **D24/138**

(58) **Field of Classification Search**
USPC D24/108, 129, 130, 138, 140, 143, 147,
D24/167; 600/101; 604/192, 254, 256;
606/46, 56, 184, 185
See application file for complete search history.

(56) **References Cited**

U.S. PATENT DOCUMENTS

D254,270 S * 2/1980 Ziegler 600/107
D536,790 S * 2/2007 Michel D24/137
D570,482 S * 6/2008 Bettocchi D24/138
D573,257 S * 7/2008 Rehbein D24/112

D580,051 S * 11/2008 Rehbein D24/108
D596,291 S * 7/2009 Berberich D24/133
D622,379 S * 8/2010 Singh D24/130
D672,462 S * 12/2012 Campo D24/138
D674,090 S * 1/2013 Campo D24/138
D696,401 S * 12/2013 Campo D24/138

* cited by examiner

Primary Examiner — Ian Simmons

Assistant Examiner — Samantha Q Lawrence

(74) *Attorney, Agent, or Firm* — Muncy, Geissler, Olds &
Lowe, P.C.

(57) **CLAIM**

The ornamental design for a neuroendoscopy set, as shown
and described.

DESCRIPTION

FIG. 1 is a perspective view of a neuroendoscopy set accord-
ing to the present invention.

FIG. 2 is a right view of the neuroendoscopy set of FIG. 1.

FIG. 3 is a left view of the neuroendoscopy set of FIG. 1.

FIG. 4 is a top plan view of the neuroendoscopy set of FIG. 1.

FIG. 5 is a bottom plan view of the neuroendoscopy set of
FIG. 1.

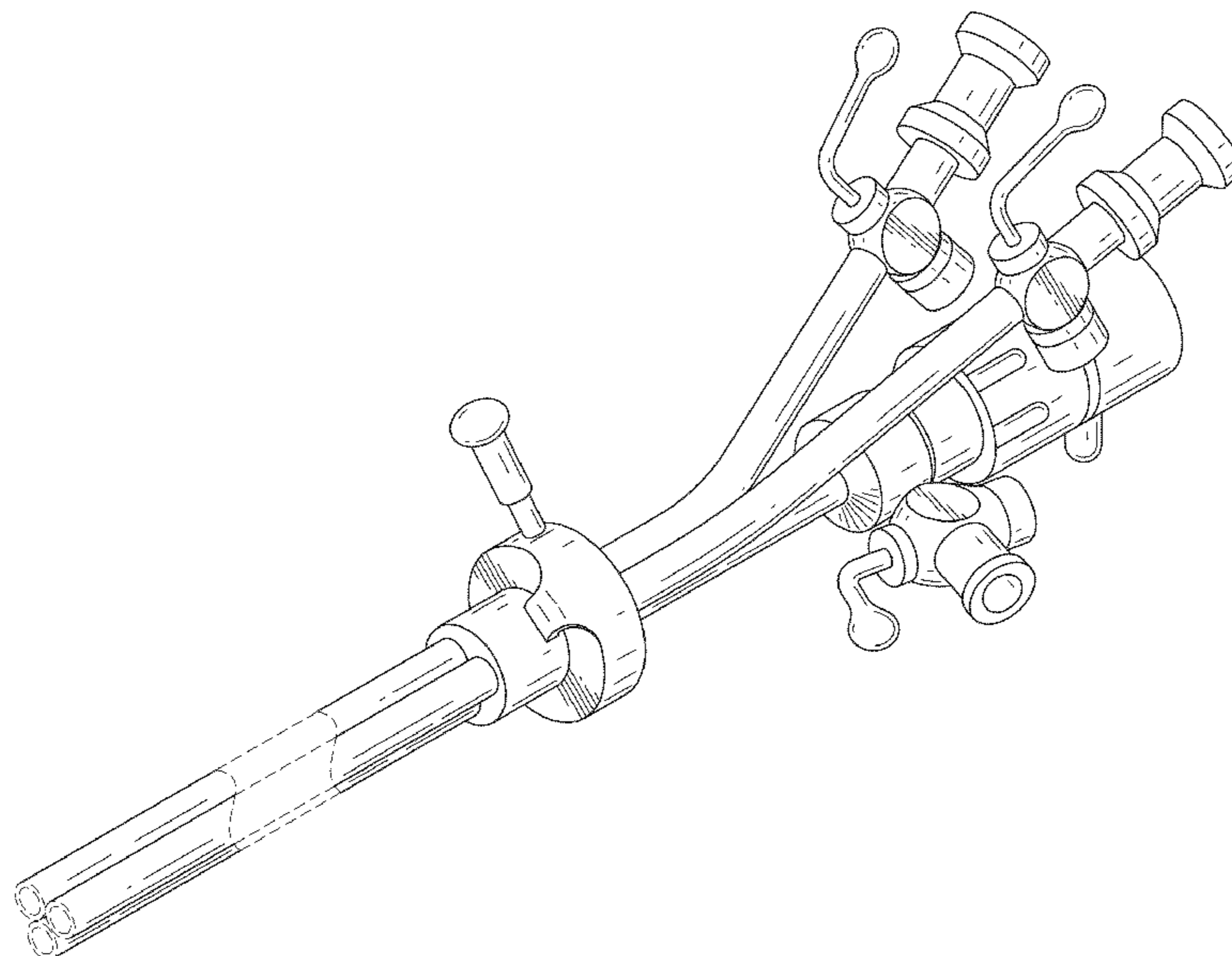
FIG. 6 is a front view of the neuroendoscopy set of FIG. 1;
and,

FIG. 7 is a rear view of the neuroendoscopy set of FIG. 1.

The broken lines immediately adjacent to the claimed portion
of the tubes of the neuroendoscopy set in FIGS. 1-7 represent
boundaries that form no part of the claimed design.

The broken lines in FIGS. 1, 3, 4, 6 and 7 show portions of the
neuroendoscopy set that form no part of the claimed design.

1 Claim, 7 Drawing Sheets



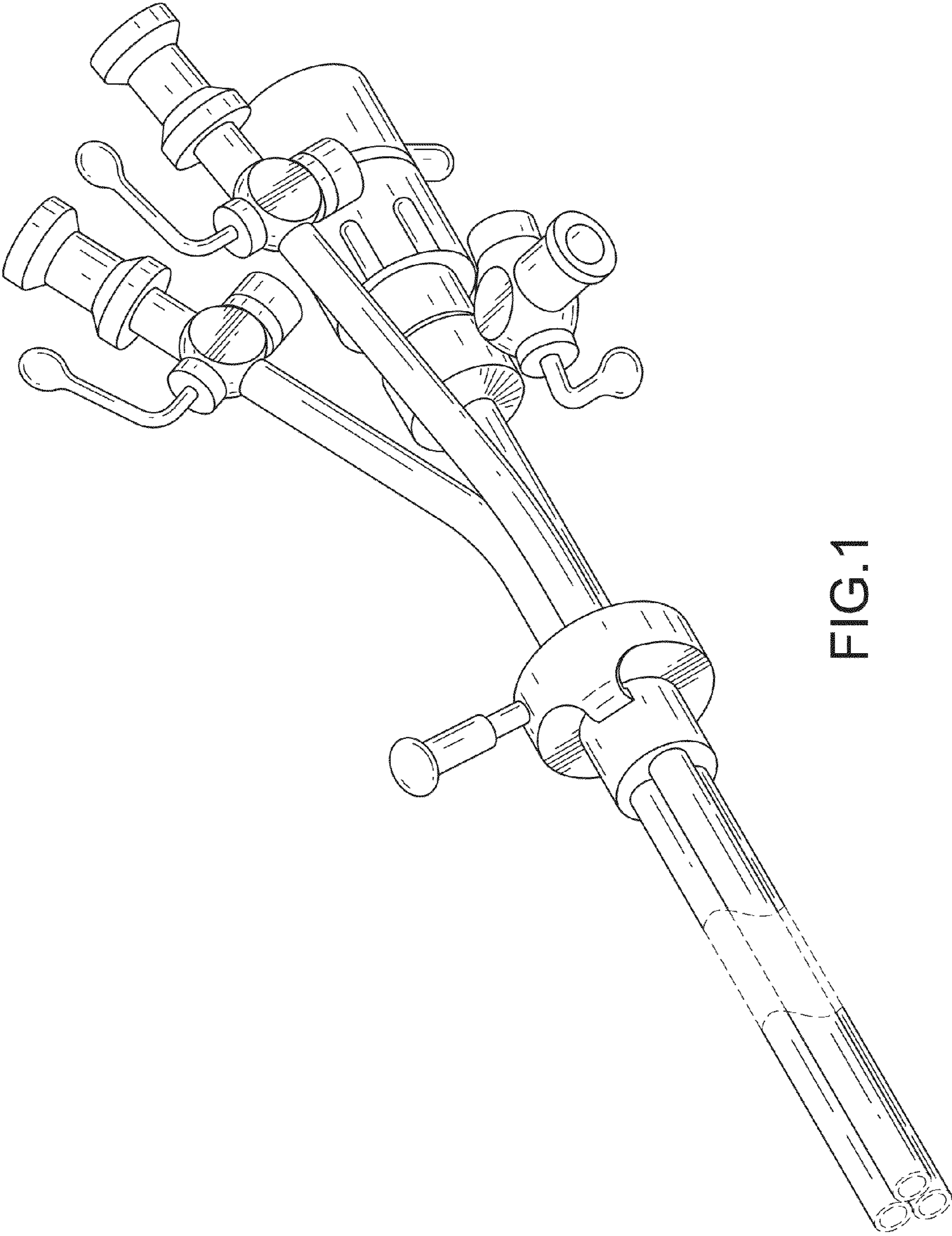


FIG.1

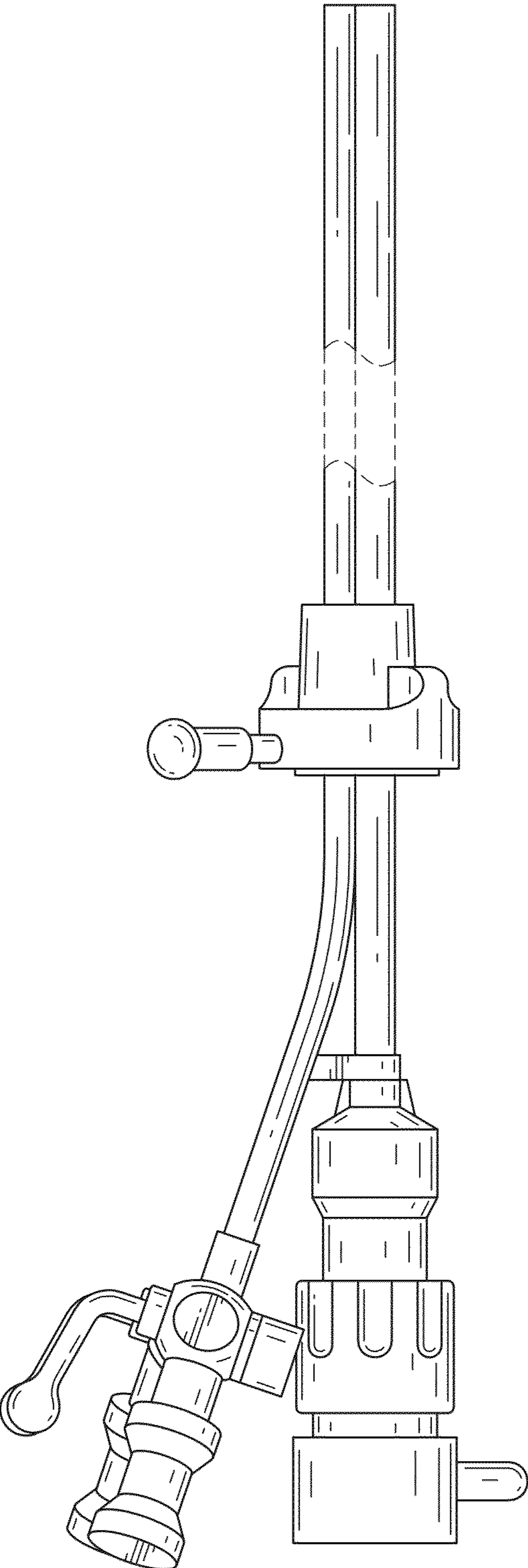


FIG.2

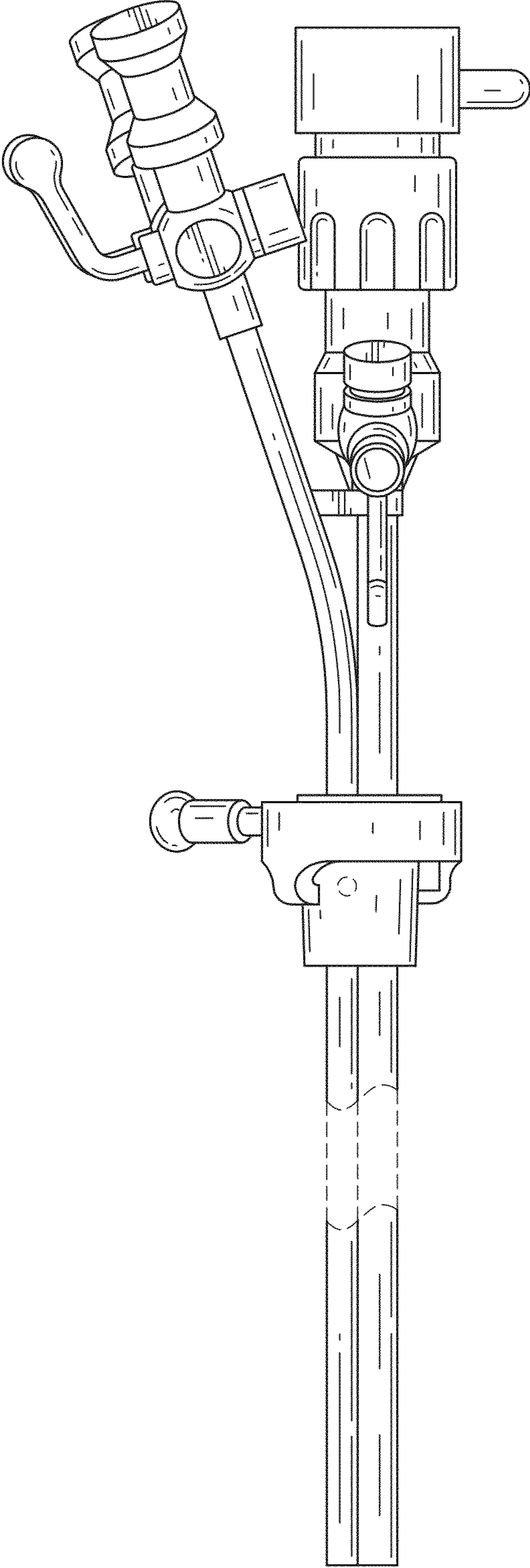


FIG.3

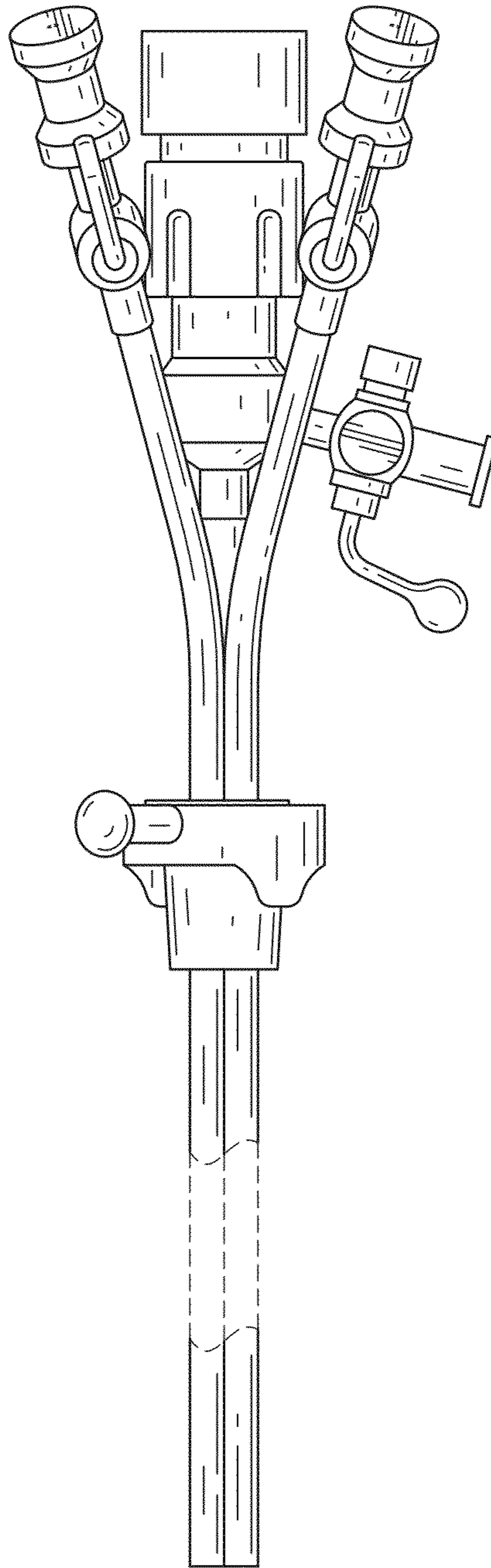


FIG.4

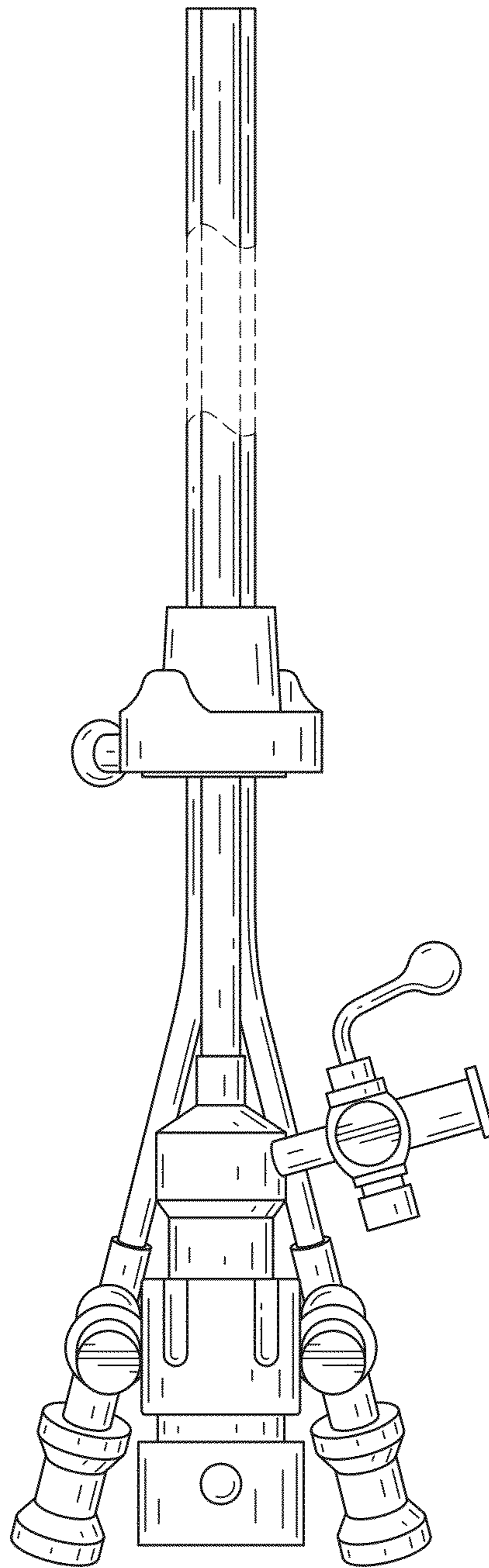


FIG.5

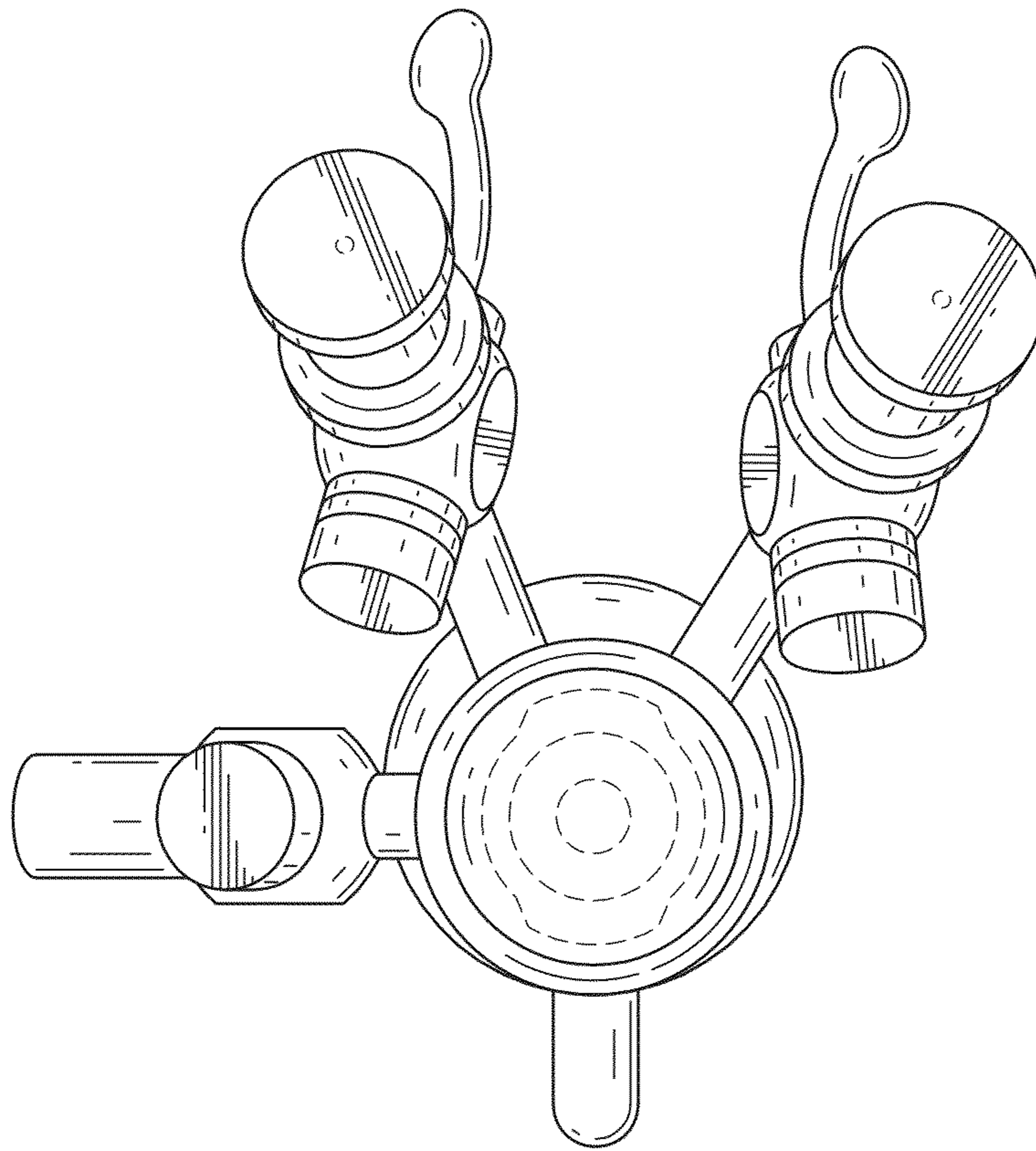


FIG.6

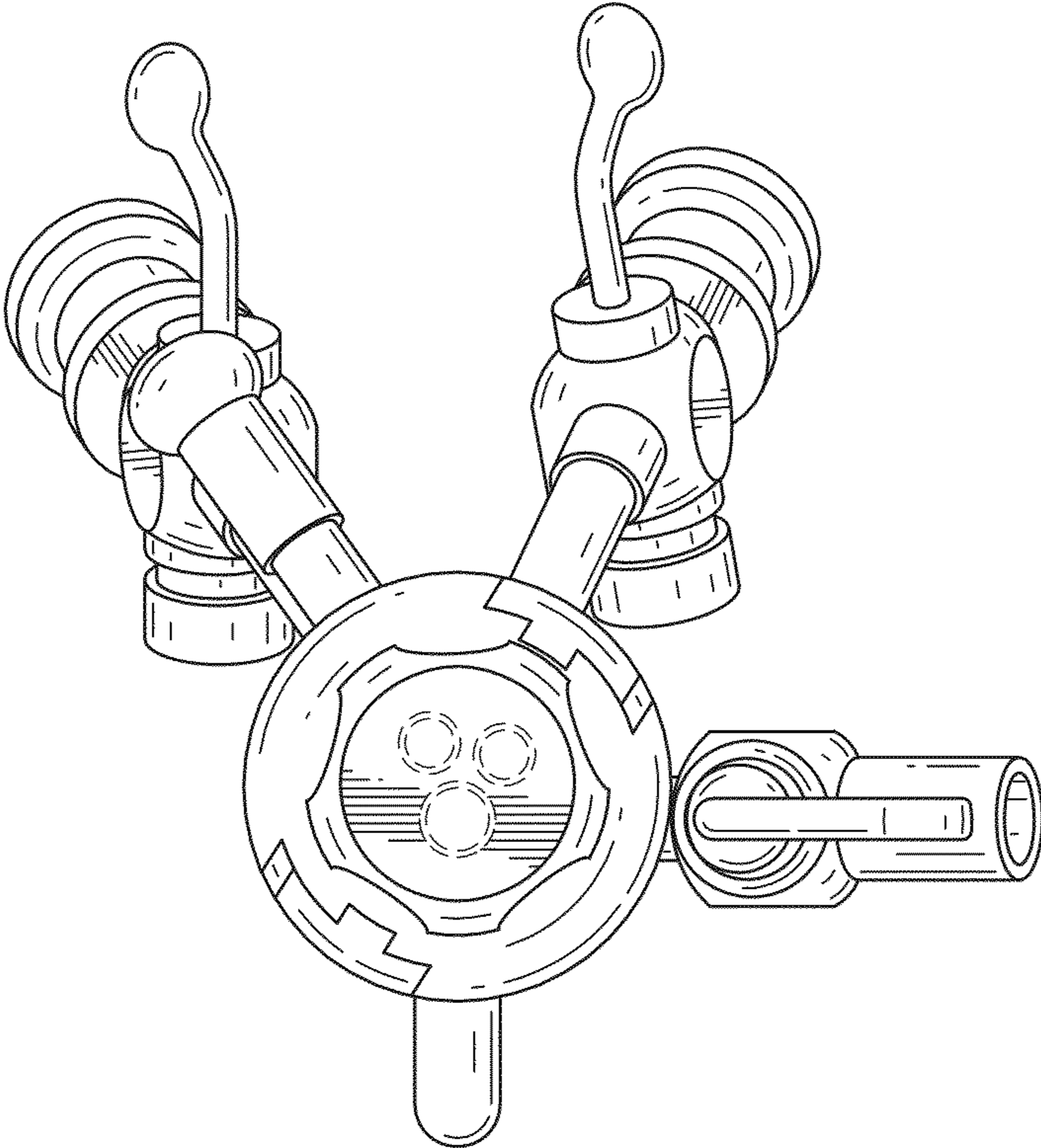


FIG.7