



US00D755374S

(12) **United States Design Patent**
Oberlaender et al.

(10) **Patent No.:** **US D755,374 S**

(45) **Date of Patent:** **** May 3, 2016**

(54) **SEALING DEVICE**

(71) Applicant: **KARL STORZ GmbH & Co. KG,**
Tuttlingen (DE)

(72) Inventors: **Martin Oberlaender,** Engen (DE);
Sebastian Wagner, Bretten (DE); **Felix**
Teufel, Tuttlingen (DE)

(73) Assignee: **KARL STORZ GmbH & Co. KG,**
Tuttlingen (DE)

(**) Term: **14 Years**

(21) Appl. No.: **29/503,721**

(22) Filed: **Sep. 29, 2014**

(30) **Foreign Application Priority Data**

Mar. 28, 2014 (EM) 002434944-0002

(51) **LOC (10) Cl.** **24-02**

(52) **U.S. Cl.**
USPC **D24/133**

(58) **Field of Classification Search**

USPC D24/133, 132, 140, 146, 147; 604/158,
604/164.08, 167.01, 167.3, 167.04, 167.6,
604/256, 264; 600/167, 170, 184, 185, 566,
600/567

CPC A61B 17/3421; A61B 2017/345;
A61B 2017/3452

See application file for complete search history.

(56) **References Cited**

U.S. PATENT DOCUMENTS

D472,970 S *	4/2003	Lund	D24/140
D513,322 S *	12/2005	Jackson, III	D24/176
2006/0161049 A1 *	7/2006	Beane	A61B 17/0293 600/207
2010/0261975 A1 *	10/2010	Huey	A61B 17/3423 600/208
2011/0166425 A1 *	7/2011	Edelman	A61B 17/3421 600/208
2013/0303857 A1 *	11/2013	Albrecht	A61B 17/0293 600/206

* cited by examiner

Primary Examiner — Wan Laymon

Assistant Examiner — Mark Booker

(74) *Attorney, Agent, or Firm* — Muncy, Geissler, Olds & Lowe, P.C.

(57) **CLAIM**

The ornamental design for a sealing device, as shown and described.

DESCRIPTION

FIG. 1 is a rear perspective view of a sealing device according to the present invention.

FIG. 2 is a left side view of the sealing device of FIG. 1.

FIG. 3 is a front view of the sealing device of FIG. 1.

FIG. 4 is a right side view of the sealing device of FIG. 1.

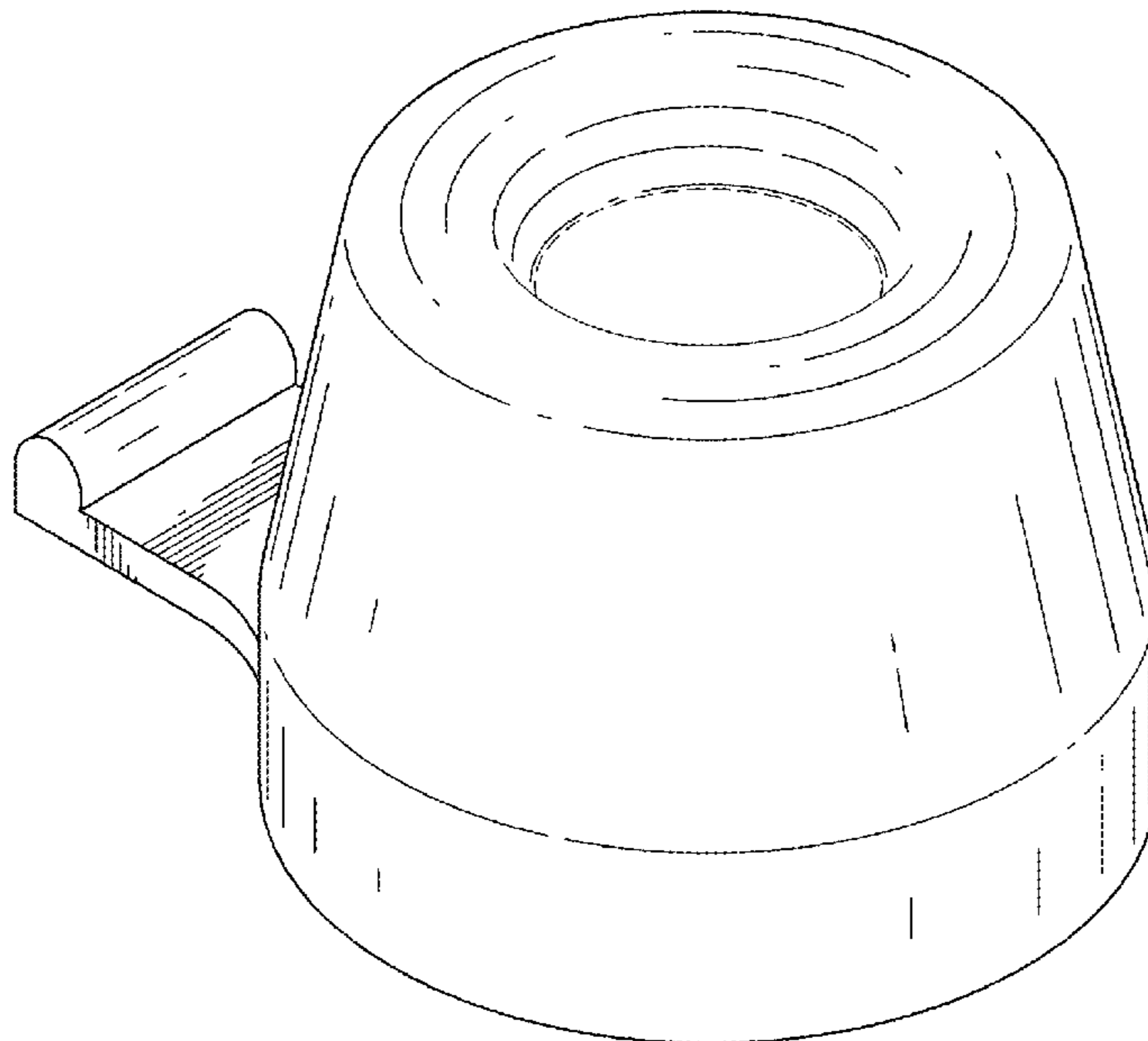
FIG. 5 is a rear view of the sealing device of FIG. 1.

FIG. 6 is a top view of the sealing device of FIG. 1; and,

FIG. 7 is a bottom view of the sealing device of FIG. 1.

The dashed lines illustrate environment that does not form a part of the present invention, and no claim is made to the material illustrated with dashed lines.

1 Claim, 7 Drawing Sheets



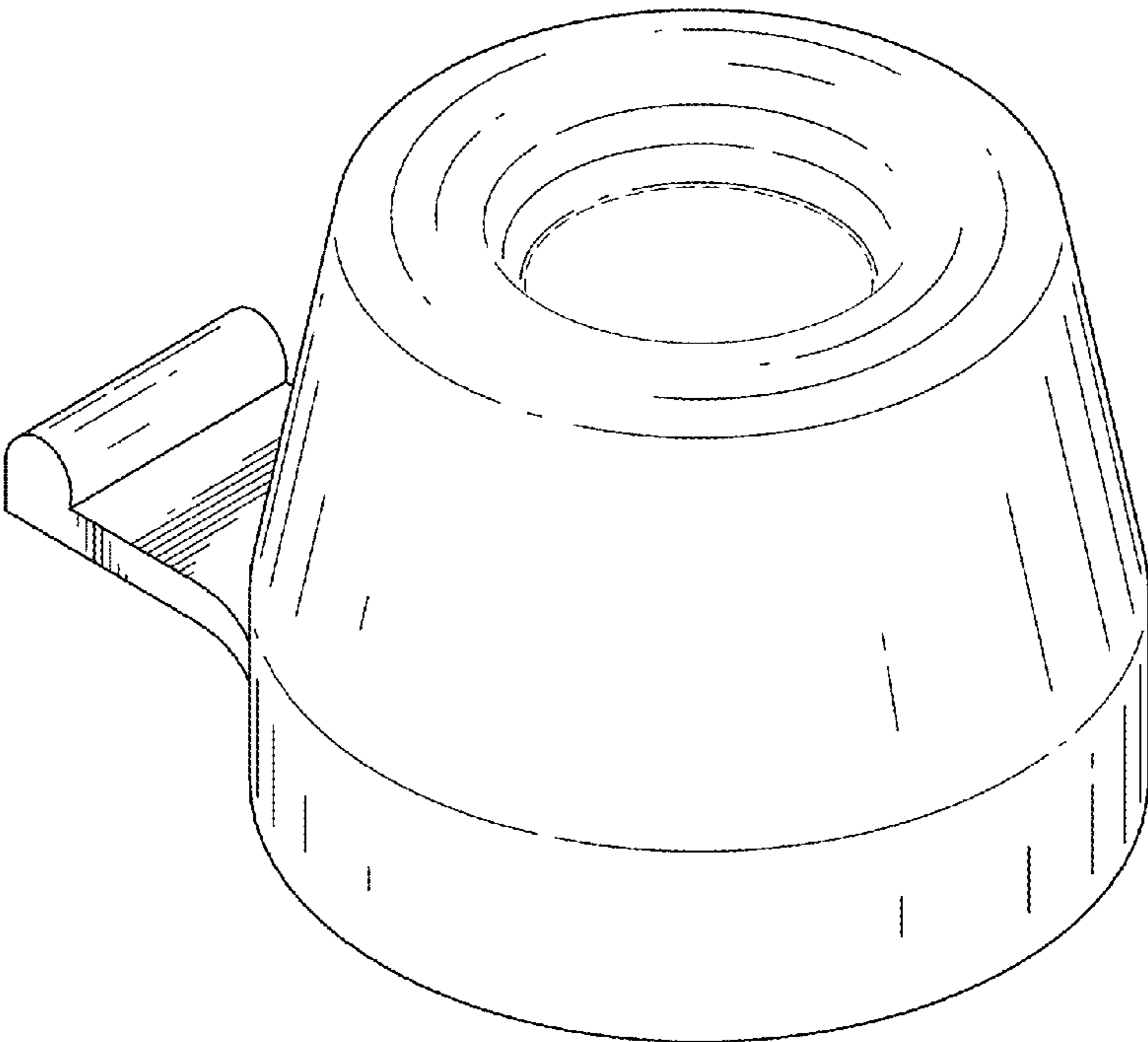


FIG.1

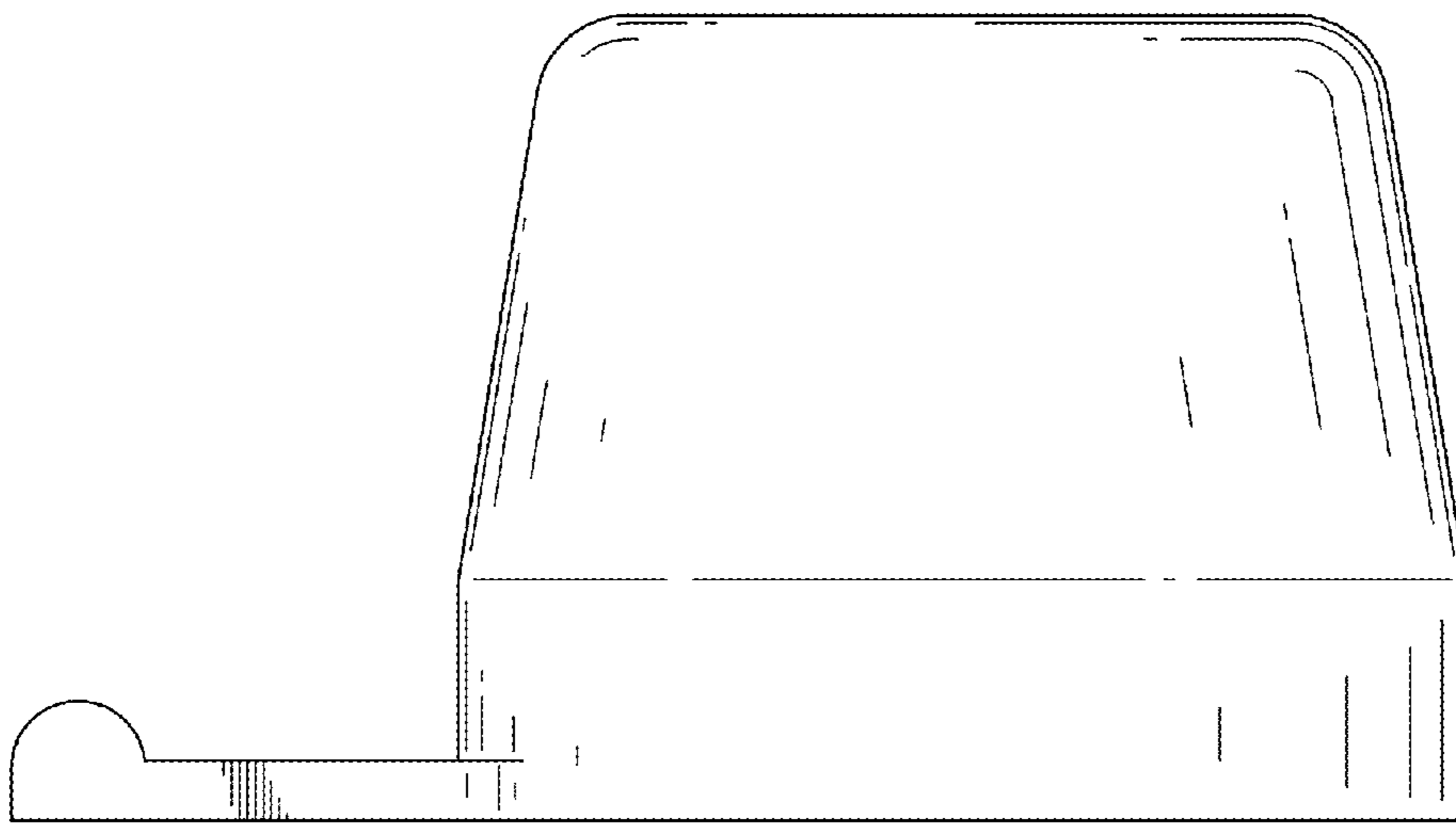


FIG.2

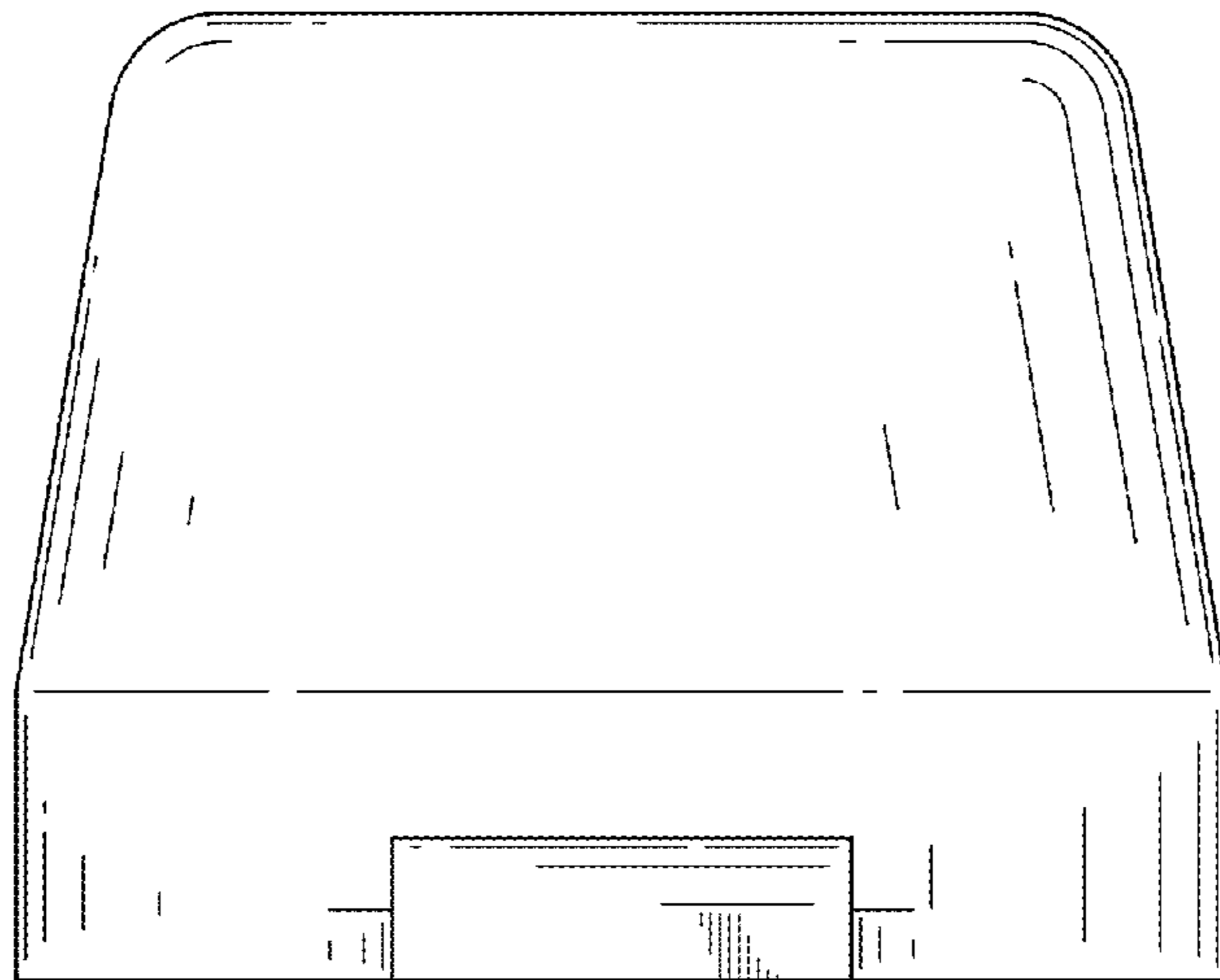


FIG.3

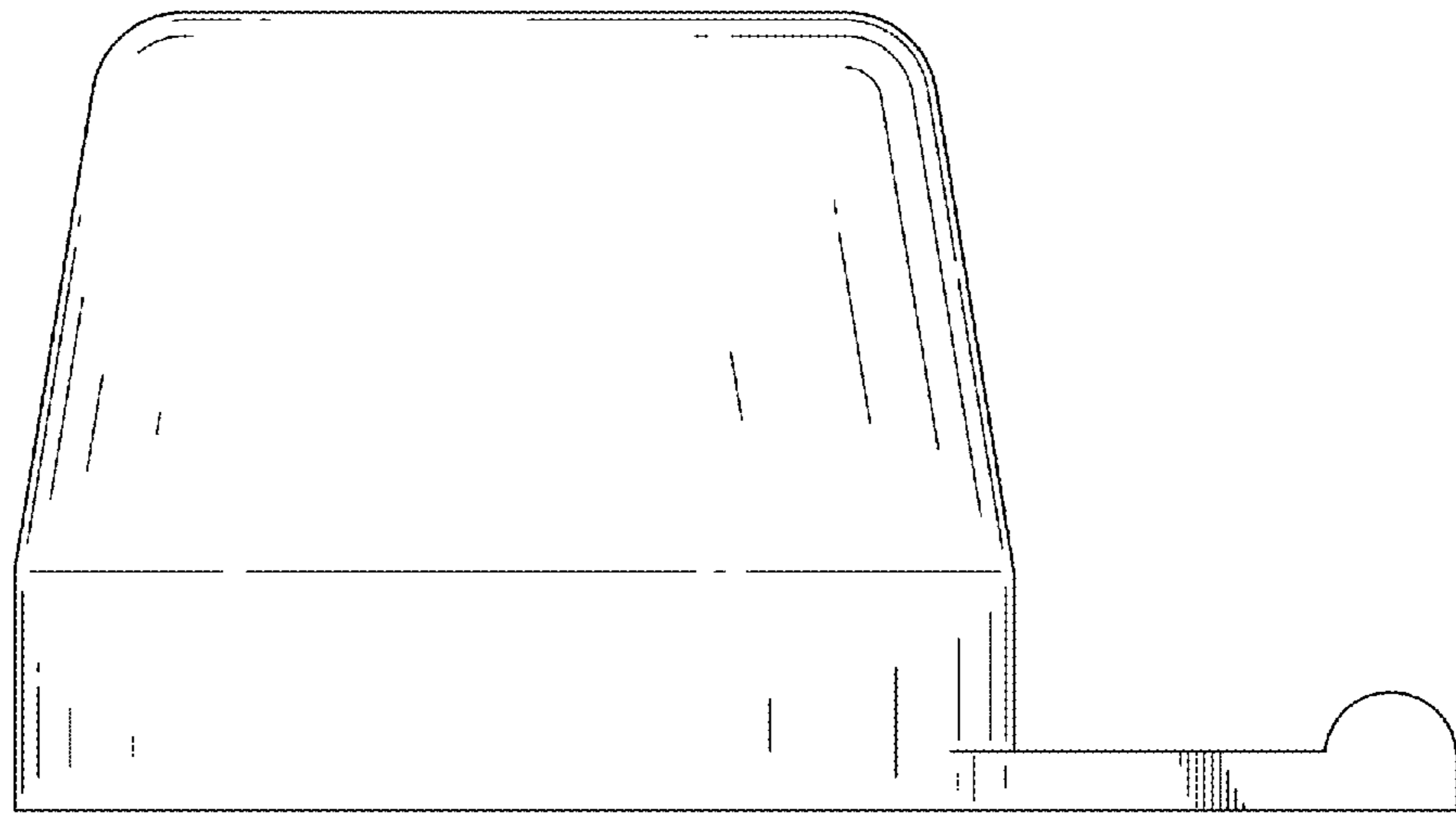


FIG.4

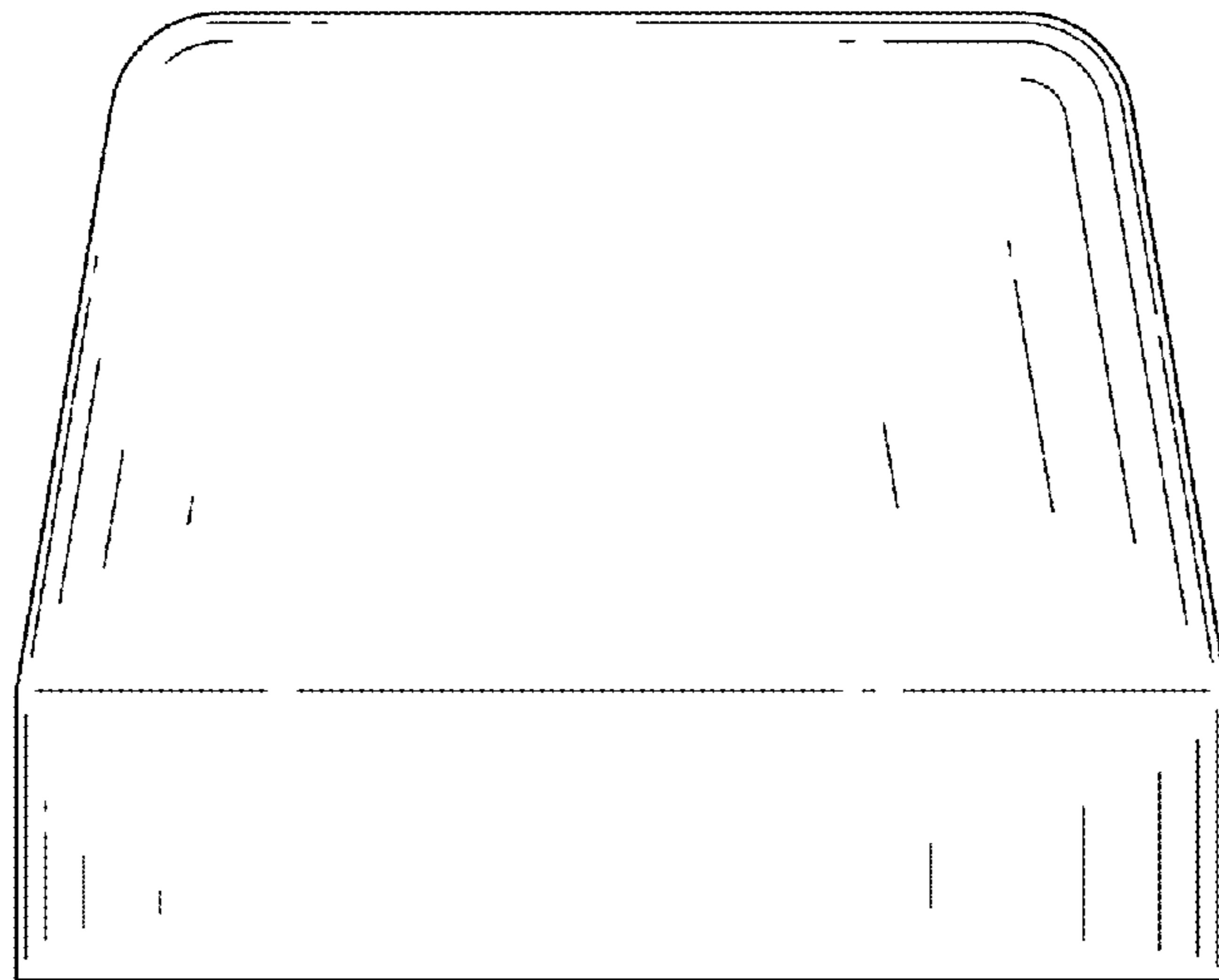


FIG.5

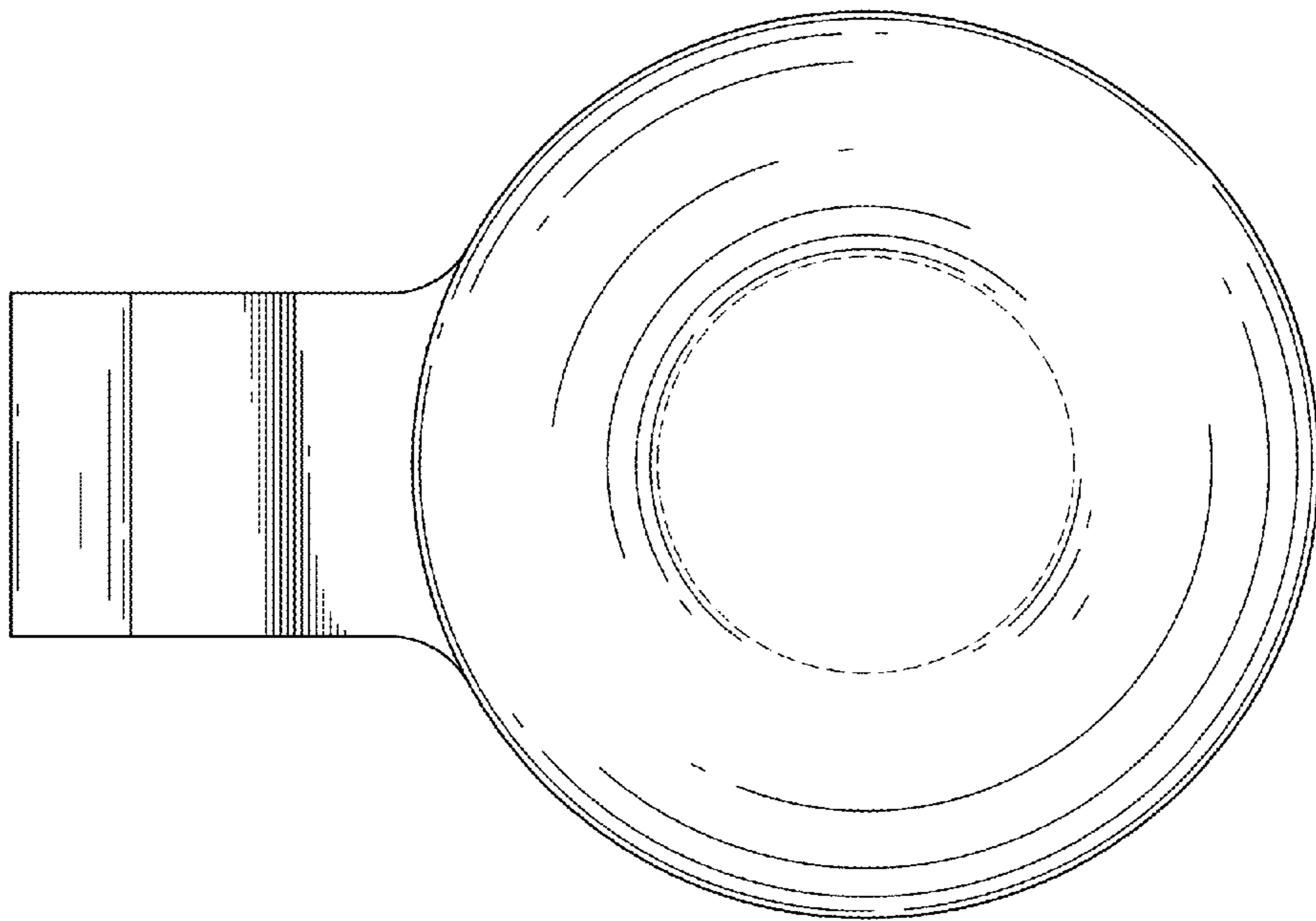


FIG.6

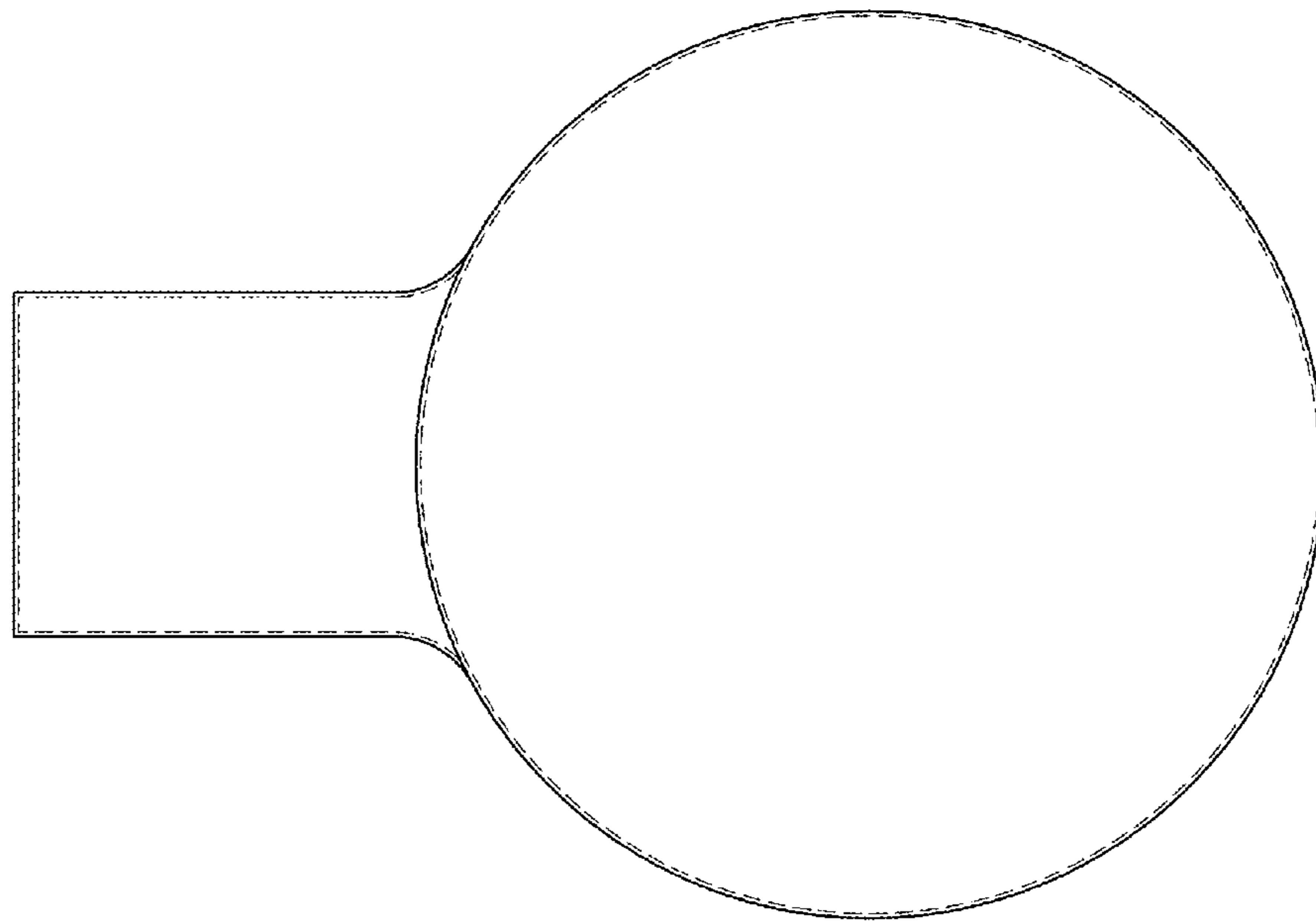


FIG. 7