



US00D755373S

(12) **United States Design Patent**  
**Koizumi et al.**

(10) **Patent No.:** **US D755,373 S**

(45) **Date of Patent:** **\*\* \*May 3, 2016**

(54) **CATHETER**

(56) **References Cited**

(71) Applicants: **ASAHI INTECC CO., LTD.**,  
Nagoya-shi, Aichi (JP); **TOKAI**  
**UNIVERSITY EDUCATIONAL**  
**SYSTEM**, Tokyo (JP)

U.S. PATENT DOCUMENTS

4,169,464 A 10/1979 Obrez  
D611,601 S \* 3/2010 Tamai ..... D24/133  
D616,087 S \* 5/2010 Brigatti ..... D24/112  
D616,088 S \* 5/2010 Brigatti ..... D24/112  
D616,540 S \* 5/2010 Brigatti ..... D24/112

(72) Inventors: **Jun Koizumi**, Tokyo (JP); **Masaaki**  
**Nihonmatsu**, Kasugai (JP); **Yukiko**  
**Enami**, Seto (JP)

(Continued)

(73) Assignees: **ASAHI INTECC CO., LTD.**,  
Nagoya-shi (JP); **TOKAI**  
**UNIVERSITY EDUCATIONAL**  
**SYSTEM**, Tokyo (JP)

FOREIGN PATENT DOCUMENTS

JP 2006-218070 8/2006

OTHER PUBLICATIONS

Nov. 6, 2014 Notification of Reasons for Refusal issued in Japanese  
Patent Application No. JP-2014-005997.

(Continued)

(\*) Notice: This patent is subject to a terminal dis-  
claimer.

*Primary Examiner* — David Muller  
(74) *Attorney, Agent, or Firm* — Oliff PLC

(\*\*) Term: **14 Years**

(57) **CLAIM**

(21) Appl. No.: **29/502,858**

The ornamental design for a catheter, as shown and described.

(22) Filed: **Sep. 19, 2014**

**DESCRIPTION**

(30) **Foreign Application Priority Data**

Mar. 20, 2014 (JP) ..... 2014-005998

(51) **LOC (10) Cl.** ..... **24-02**

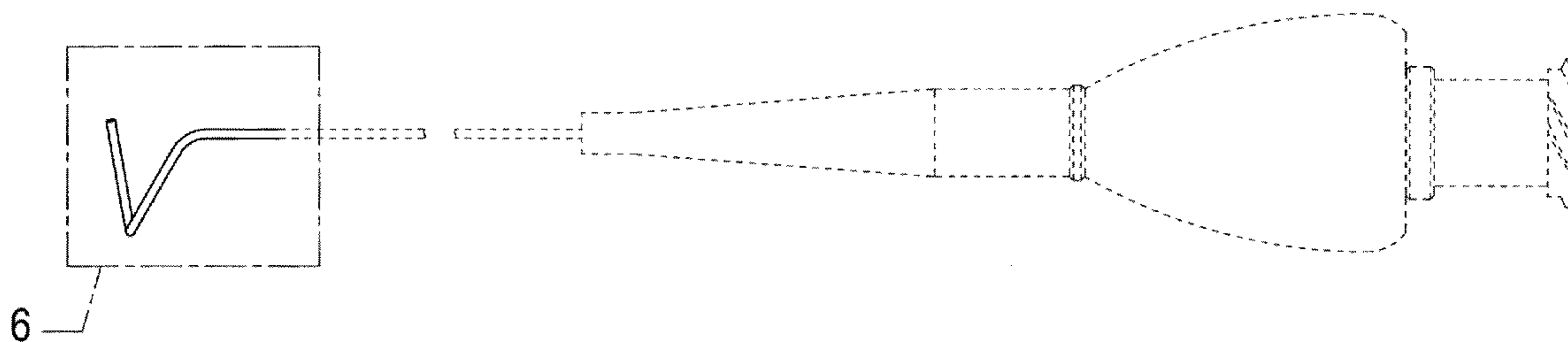
(52) **U.S. Cl.**  
USPC ..... **D24/130**

(58) **Field of Classification Search**  
USPC ..... D24/127–131, 112–114, 133, 186;  
606/181, 185; 604/264, 523–528, 272,  
604/187, 158, 164.01–164.11, 181, 184,  
604/227; 600/101, 139, 143; 128/200.24,  
128/207.14, 207.15  
CPC ..... A61M 27/00; A61M 25/00; A61M 39/00;  
A61M 25/0043

See application file for complete search history.

FIG. 1 is a front view of a catheter;  
FIG. 2 is a rear view thereof;  
FIG. 3 is a left-side view thereof;  
FIG. 4 is a top view thereof;  
FIG. 5 is a bottom view thereof;  
FIG. 6 is an enlarged view of the portion labeled 6 in FIG. 1;  
FIG. 7 is an enlarged view of the portion labeled 7 in FIG. 4;  
FIG. 8 is a cross-sectional view taken along the line labeled  
8-8 in FIG. 6; and,  
FIG. 9 is an enlarged view of the portion labeled 9 in FIG. 8.  
The broken lines depict environmental subject matter only  
and form no part of the claimed design. The right-side view is  
not depicted because it contains environmental subject matter  
only.

**1 Claim, 4 Drawing Sheets**



(56)

**References Cited**

**OTHER PUBLICATIONS**

U.S. PATENT DOCUMENTS

8,246,603 B2 8/2012 Takagi et al.  
D669,983 S \* 10/2012 Dapri ..... D24/133  
D670,381 S \* 11/2012 Dapri ..... D24/133  
D688,797 S \* 8/2013 Nihonmatsu ..... D24/130  
D703,813 S \* 4/2014 Bolia ..... D24/133  
D703,814 S \* 4/2014 Bolia ..... D24/133  
D703,815 S \* 4/2014 Bolia ..... D24/133  
D704,335 S \* 5/2014 Bolia ..... D24/133  
8,777,929 B2 \* 7/2014 Schneider ..... A61M 25/0136  
604/528  
8,977,333 B2 \* 3/2015 Anderson ..... A61B 5/0422  
600/374

Nov. 6, 2014 Notification of Reasons for Refusal issued in Japanese

Patent Application No. JP-2014-005998.

Design U.S. Appl. No. 29/502,860, filed Sep. 19, 2014.

Apr. 10, 2015 Notification of Reasons for Refusal issued in Korean

Patent Application No. 30-2014-0043459.

\* cited by examiner

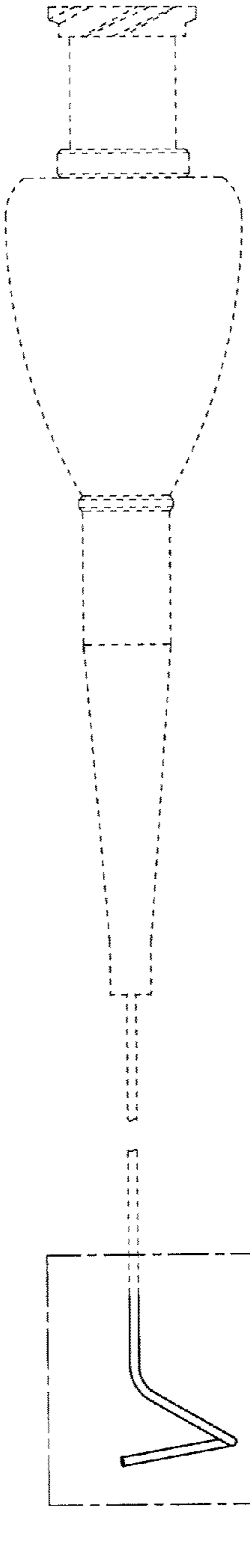


FIG. 1

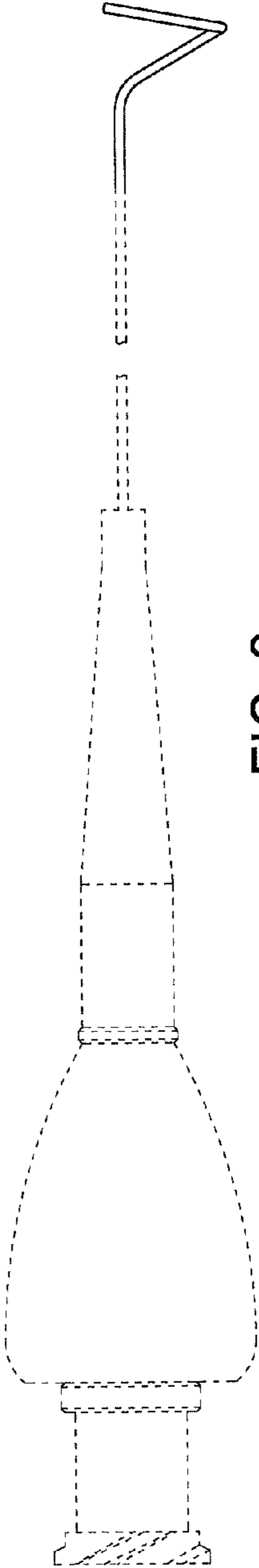


FIG. 2

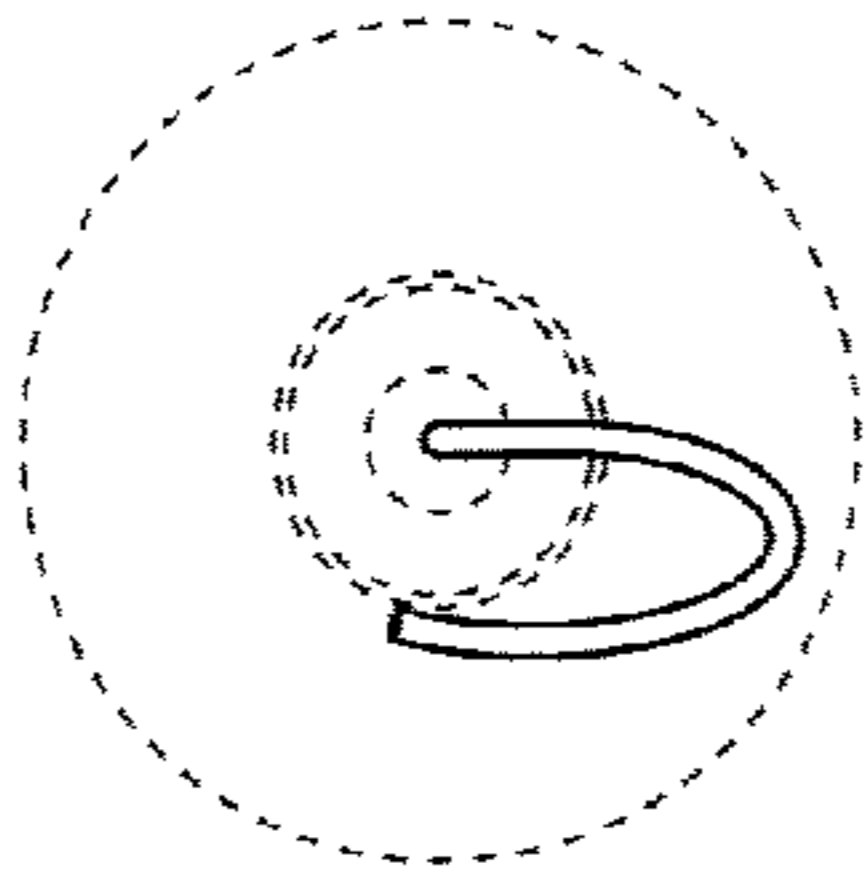


FIG. 3

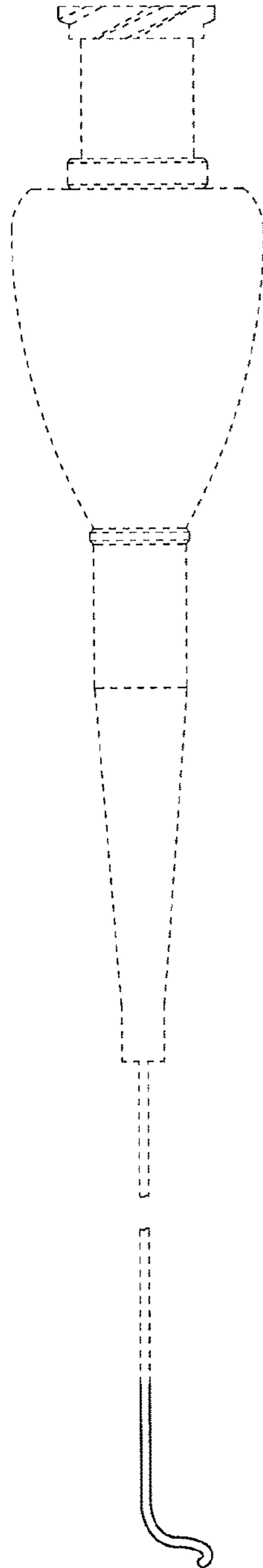
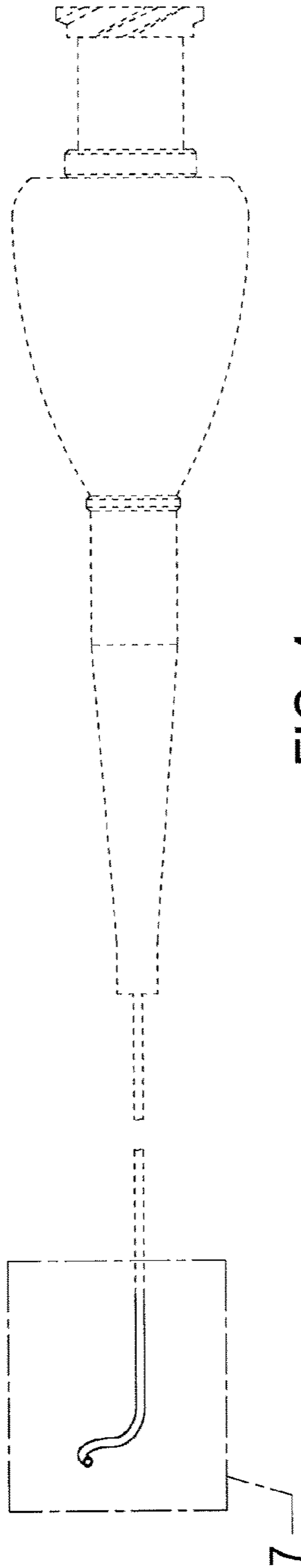


FIG. 6

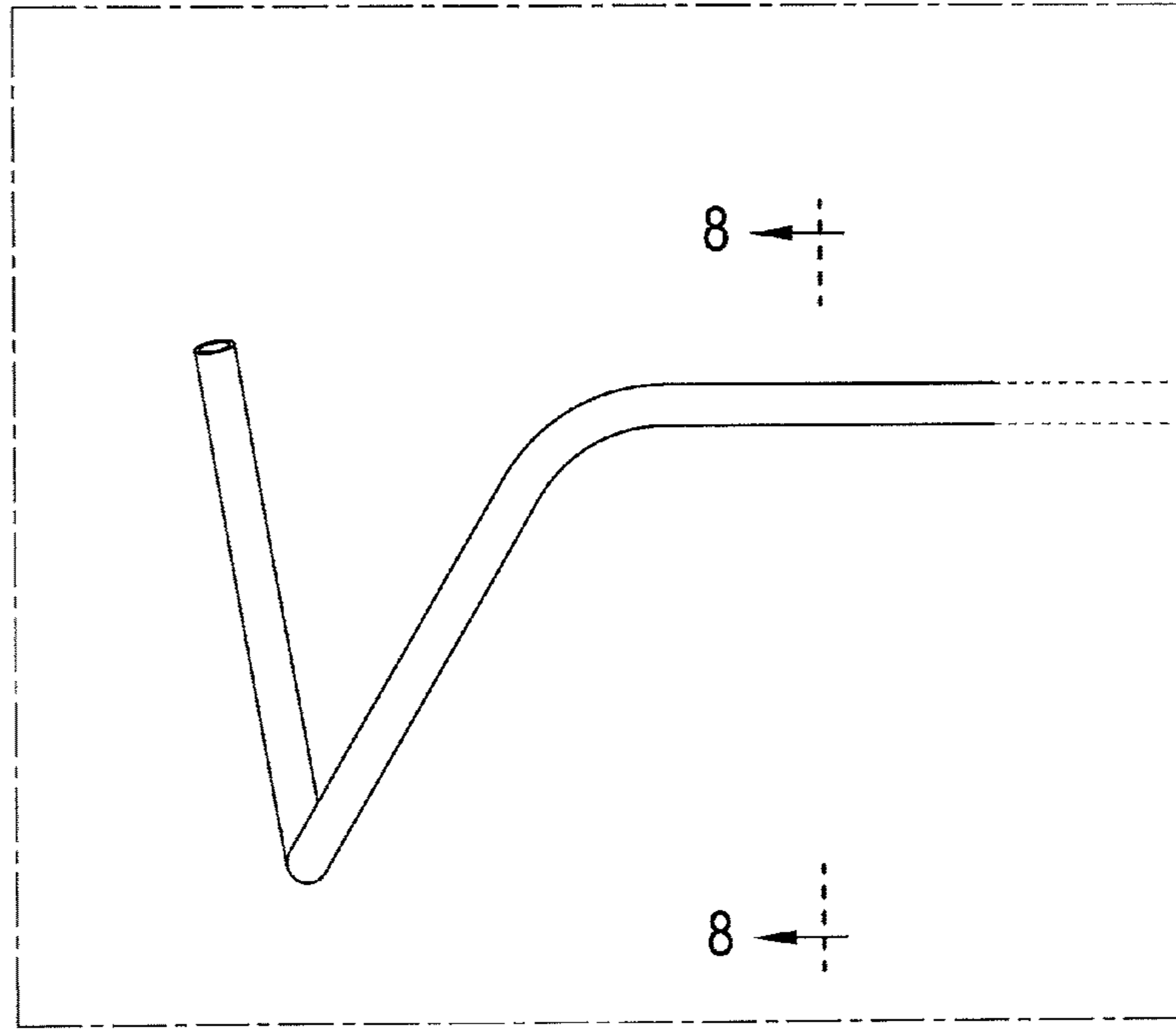
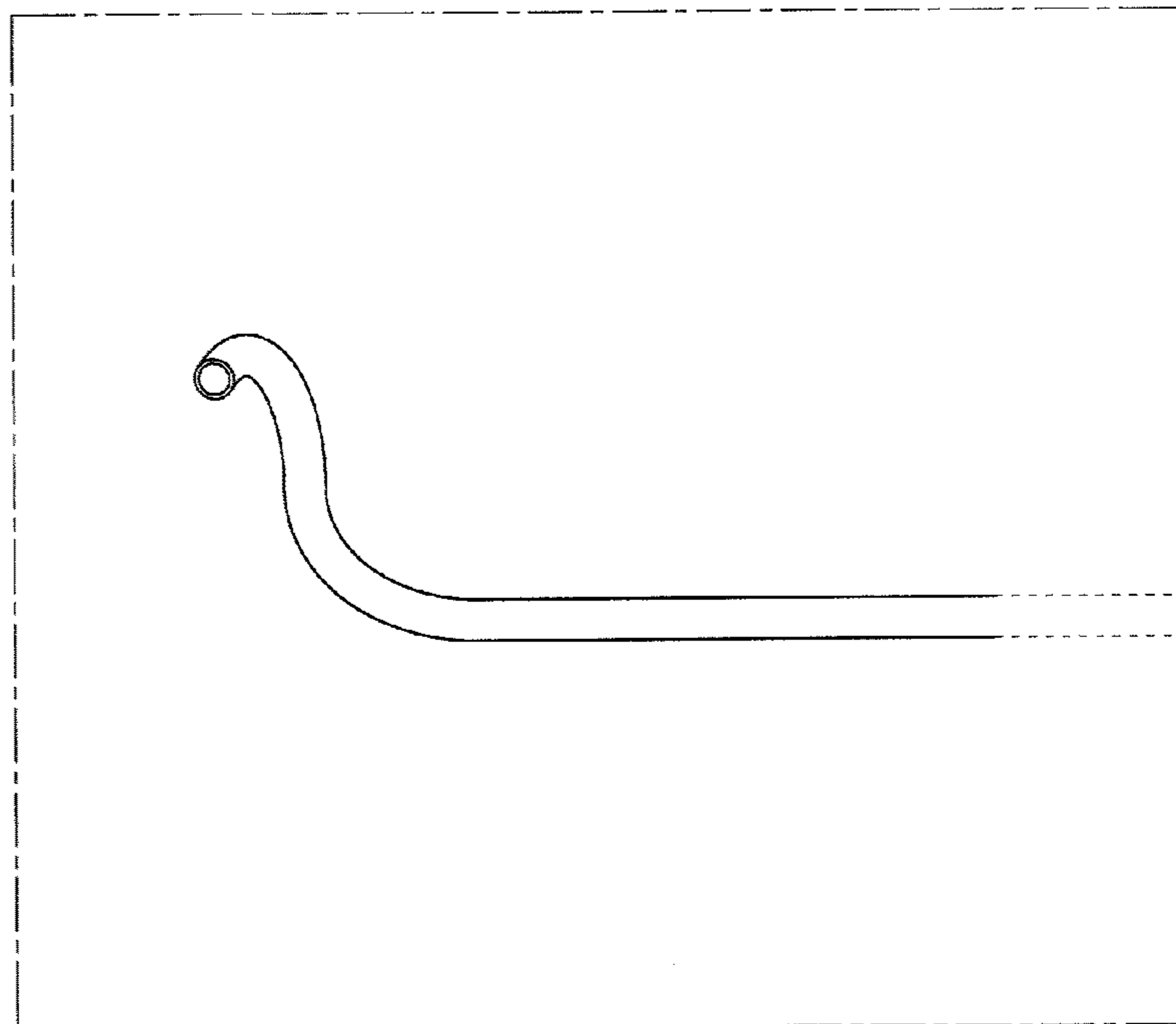


FIG. 7



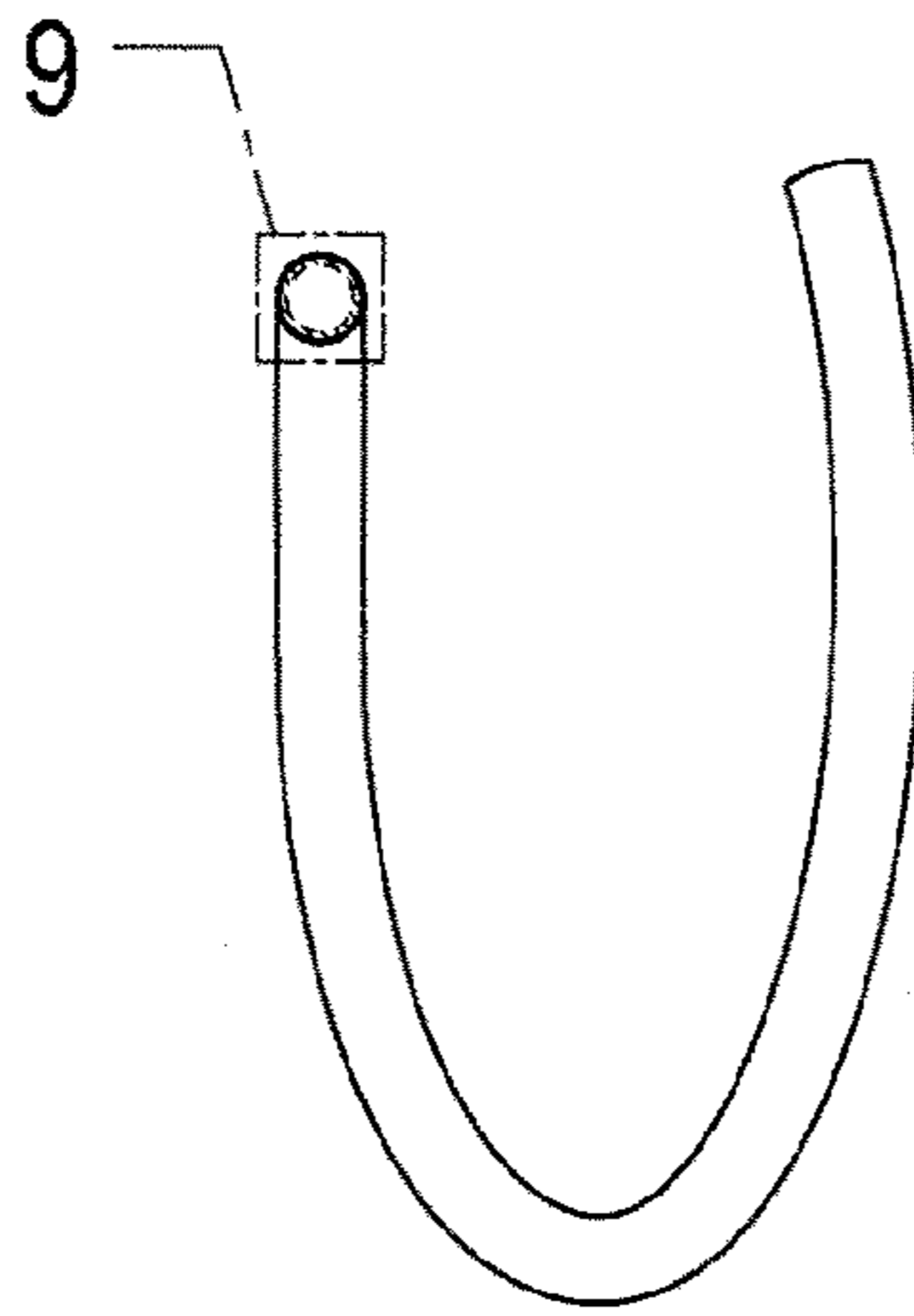


FIG. 8

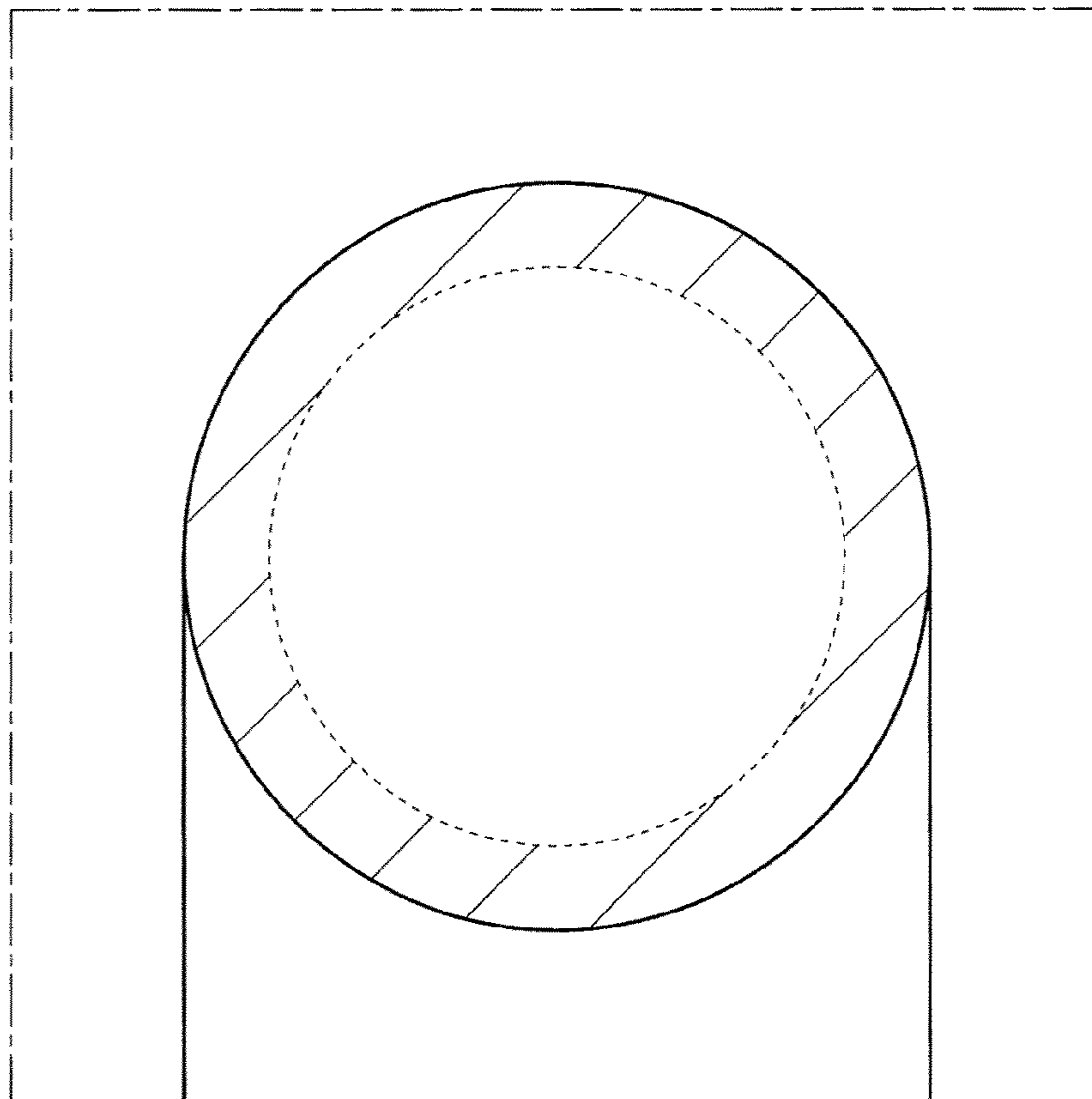


FIG. 9