



US00D755367S

(12) **United States Design Patent**  
**Plunkett et al.**

(10) **Patent No.:** **US D755,367 S**

(45) **Date of Patent:** **\*\* May 3, 2016**

- (54) **INDICATOR FOR AN INHALER**
- (71) Applicant: **Civitas Therapeutics, Inc.**, Chelsea, MA (US)
- (72) Inventors: **Sean Plunkett**, Westborough, MA (US); **Jake P. Ganem**, Cape Neddick, ME (US); **Scott E. Ganem**, Cape Neddick, ME (US)

4,338,931 A	7/1982	Cavazza
D278,593 S	4/1985	MacGregor
D290,065 S	6/1987	Battaglia
D304,840 S	11/1989	Mizutani et al.
4,884,565 A	12/1989	Cocozza
4,995,385 A	2/1991	Valentini et al.
5,048,514 A	9/1991	Ramella
D327,016 S *	6/1992	Leuenberger ..... D9/435

(Continued)

**FOREIGN PATENT DOCUMENTS**

JP	09262295 A	10/1997
JP	2009148506 A	7/2009
WO	WO-03/080163 A1	10/2003

**OTHER PUBLICATIONS**

International Search Report and Written Opinion for International Application No. PCT/US2013/072769, mailed Jun. 18, 2014, 15 pages.

(Continued)

*Primary Examiner* — Barbara Fox  
*Assistant Examiner* — Lilyana Bekic  
(74) *Attorney, Agent, or Firm* — Goodwin Procter LLP

(57) **CLAIM**

The ornamental design for an indicator for an inhaler, as shown and described.

**DESCRIPTION**

FIG. 1 is a top view of an indicator for an inhaler showing the new design;  
FIG. 2 is a front perspective view thereof;  
FIG. 3 is a rear perspective view thereof;  
FIG. 4 is a right side view thereof; and,  
FIG. 5 is a left side view thereof.  
The broken line showing of the inhaler illustrates the environment of the indicator for an inhaler and forms no part thereof.

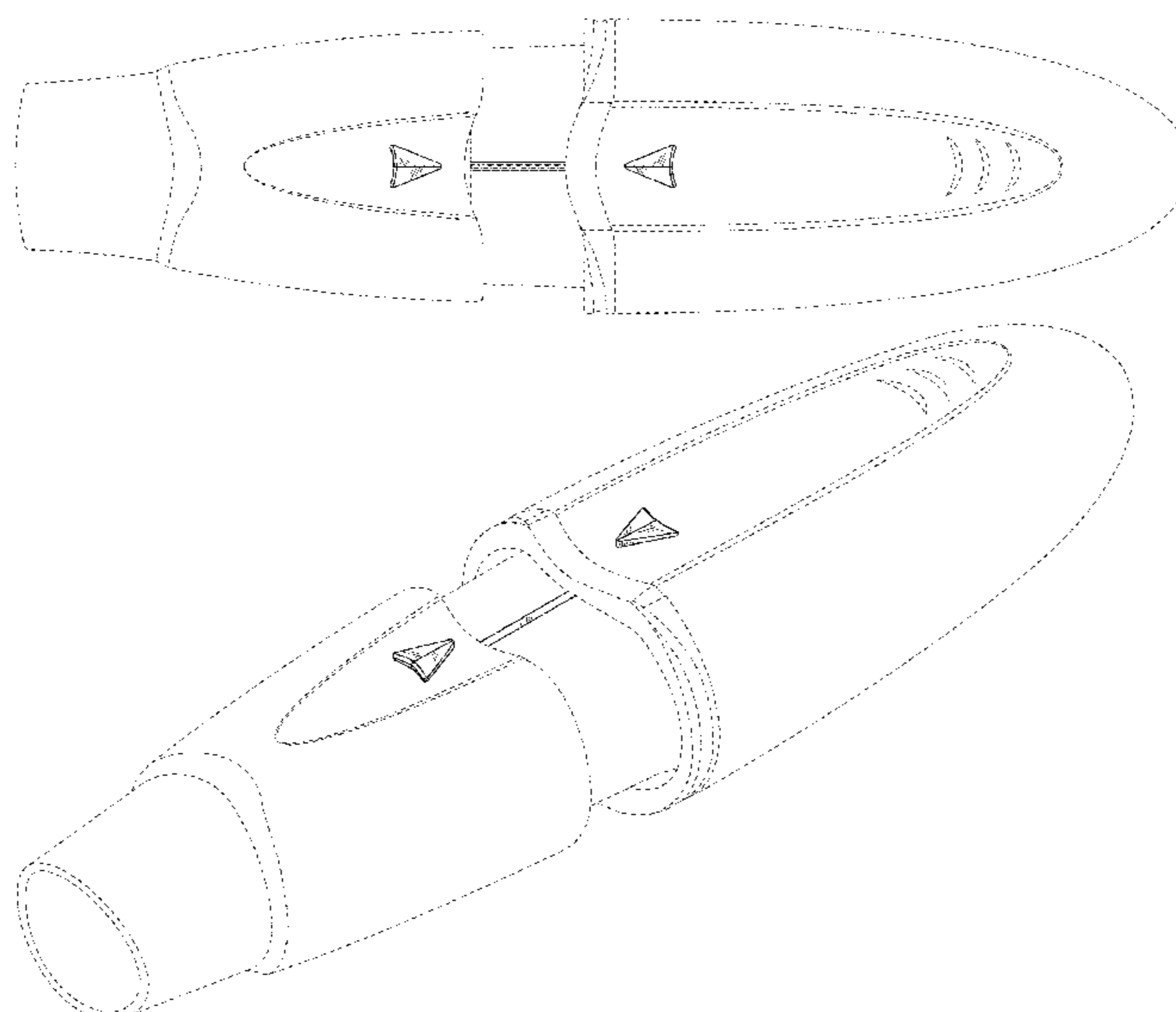
**1 Claim, 4 Drawing Sheets**

- (73) Assignee: **Civitas Therapeutics, Inc.**, Chelsea, MA (US)
- (\*\*) Term: **14 Years**
- (21) Appl. No.: **29/484,449**
- (22) Filed: **Mar. 10, 2014**
- (51) **LOC (10) Cl.** ..... **29-02**
- (52) **U.S. Cl.**  
USPC ..... **D24/110**
- (58) **Field of Classification Search**  
USPC ..... D24/107, 108, 110, 111–114, 127, 164  
CPC ..... A61M 15/0065; A61M 15/0091;  
A61M 15/0021; A61M 15/0026; A61M 15/00;  
A61M 11/00; A61M 11/02; A61M 11/04  
See application file for complete search history.

(56) **References Cited**

**U.S. PATENT DOCUMENTS**

1,657,450 A	1/1928	Barnes
2,517,482 A	8/1950	Hall
2,946,332 A	7/1960	Sacks
3,518,992 A	7/1970	Colling et al.
D223,795 S	6/1972	Covey
3,906,950 A	9/1975	Cocozza
3,921,637 A	11/1975	Bennie et al.
3,927,195 A	12/1975	Messora
3,971,377 A	7/1976	Damani
4,069,819 A	1/1978	Valentini et al.
4,137,914 A	2/1979	Wetterlin
D262,320 S *	12/1981	Mono ..... 128/203.12



(56)

References Cited

U.S. PATENT DOCUMENTS

D334,845 S	4/1993	Ricciareli et al.	D597,598 S	8/2009	Ma
D341,837 S	11/1993	Curbbun	D603,899 S	11/2009	Suero, Jr. et al.
D341,838 S	11/1993	Kasch et al.	D604,362 S	11/2009	Suero, Jr. et al.
5,263,475 A	11/1993	Altermatt et al.	D611,321 S	3/2010	Boies et al.
D345,376 S	3/1994	Underwood, Jr.	D612,486 S	3/2010	Van der Stappen
D349,193 S	8/1994	Sloan et al.	7,669,596 B2	3/2010	Alston
D350,851 S	9/1994	Spence, Jr.	D613,741 S	4/2010	Swan
D367,962 S	3/1996	Leslie	D618,789 S	6/2010	Sanders et al.
5,522,383 A	6/1996	Calvert et al.	D620,106 S	7/2010	Van der Stappen
D380,544 S *	7/1997	Sandock ..... D24/108	D621,160 S	8/2010	Ballmaier et al.
5,673,686 A	10/1997	Villax et al.	D621,500 S	8/2010	Sanders et al.
D389,862 S	1/1998	Imagawa	D623,225 S	9/2010	Ryan
5,810,004 A	9/1998	Ohki et al.	7,832,399 B2	11/2010	Ganem et al.
5,852,414 A	12/1998	Yu et al.	D629,504 S *	12/2010	Zuyderhoudt ..... D24/110
D404,304 S *	1/1999	Kick ..... D9/447	D629,507 S *	12/2010	Zuyderhoudt ..... D24/110.5
D405,704 S	2/1999	Gordon et al.	D629,508 S *	12/2010	Zuyderhoudt ..... D24/110.5
D406,847 S	3/1999	Gerba et al.	D629,889 S *	12/2010	Zuyderhoudt ..... D24/110.5
5,899,202 A	5/1999	Ohki et al.	7,870,856 B2	1/2011	Boeck
5,901,703 A	5/1999	Ohki et al.	7,954,491 B2	6/2011	Hrkach
5,921,236 A	7/1999	Ohki et al.	D641,077 S	7/2011	Sanders et al.
5,989,217 A	11/1999	Ohki et al.	D641,735 S	7/2011	Santa Maria et al.
D419,448 S *	1/2000	Kick ..... D9/438	D651,305 S	12/2011	Hawley et al.
D420,804 S	2/2000	Juhlin et al.	D652,136 S	1/2012	Hawley et al.
D421,925 S	3/2000	Lin	D660,002 S	5/2012	Smigel et al.
6,092,522 A	7/2000	Calvert et al.	D660,411 S *	5/2012	Zuyderhoudt ..... D24/110
D429,153 S *	8/2000	Gabriel ..... D9/447	D670,760 S	11/2012	Papenfuß
6,164,853 A	12/2000	Foote	D674,440 S	1/2013	Papenfuß
D436,996 S	1/2001	Izushima	8,357,114 B2	1/2013	Poutiatine et al.
D438,111 S *	2/2001	Woods ..... D9/447	D680,972 S	4/2013	Hunter et al.
6,186,141 B1	2/2001	Pike et al.	D688,214 S	8/2013	Ducret et al.
D447,707 S	9/2001	Kobayashi	D694,237 S	11/2013	Momose et al.
D451,497 S	12/2001	Wang et al.	D695,394 S *	12/2013	Takemoto ..... D24/113
D451,597 S	12/2001	Suh	D696,775 S	12/2013	Guarraia et al.
D465,715 S	11/2002	Chiang	D698,553 S	2/2014	Evans
D465,805 S	11/2002	Hu	D699,224 S	2/2014	Diamond
D467,175 S *	12/2002	Morgan ..... D9/447	D699,287 S	2/2014	Lv
D467,176 S *	12/2002	Morgan ..... D9/447	8,753,308 B2	6/2014	Palmer et al.
D475,026 S	5/2003	Buczek et al.	D715,125 S	10/2014	Hung
D479,598 S *	9/2003	Tyce ..... D24/112	D719,935 S	12/2014	Diamond
D479,600 S	9/2003	Bainton	D725,606 S	3/2015	Eastman et al.
D479,746 S *	9/2003	Tyce ..... D24/112	D733,517 S	7/2015	Constantine
D485,827 S	1/2004	Olson et al.	2002/0073996 A1 *	6/2002	O'Leary ..... A61M 15/0045 128/203.15
D486,226 S *	2/2004	Guney ..... D24/110.1	2003/0150453 A1	8/2003	Edwards et al.
6,705,313 B2	3/2004	Niccolai	2004/0069798 A1	4/2004	Grey et al.
D490,151 S	5/2004	Hawley et al.	2004/0112384 A1 *	6/2004	Lithgow ..... A61M 16/06 128/206.21
D490,343 S *	5/2004	Guney ..... D11/216	2004/0118406 A1 *	6/2004	Lithgow ..... A61M 16/06 128/206.24
6,732,732 B2	5/2004	Edwards et al.	2004/0216738 A1	11/2004	Edwards et al.
D491,224 S	6/2004	Hsieh	2004/0224768 A1	11/2004	Hussaini et al.
D492,992 S *	7/2004	Guney ..... D24/110.1	2005/0000518 A1	1/2005	Dunkley et al.
6,766,799 B2	7/2004	Edwards et al.	2005/0022812 A1	2/2005	Hrkach
D493,885 S *	8/2004	Raje ..... D24/110.1	2005/0056280 A1	3/2005	Alston et al.
D496,005 S	9/2004	Wang	2005/0150488 A1	7/2005	Dave
D498,747 S	11/2004	Lin	2006/0157491 A1	7/2006	Whittle et al.
D498,790 S	11/2004	Shova et al.	2006/0254583 A1	11/2006	Deboeck et al.
D499,485 S	12/2004	Tyce	2007/0186923 A1 *	8/2007	Poutiatine ..... A61J 7/0038 128/200.14
D500,706 S *	1/2005	Guney ..... D11/216	2007/0221216 A1 *	9/2007	Ganem ..... A61M 15/0028 128/203.12
D501,224 S	1/2005	Pan	2008/0314383 A1 *	12/2008	Barney ..... A61M 15/0065 128/203.15
D501,724 S	2/2005	Li et al.	2009/0000619 A1	1/2009	Gradon et al.
D504,464 S	4/2005	Martzloff	2009/0025721 A1	1/2009	Ellwanger et al.
D508,077 S	8/2005	Bhavnani	2009/0032427 A1	2/2009	Cheu et al.
D508,530 S	8/2005	Qiu	2010/0108062 A1 *	5/2010	Ganem ..... A61M 15/0028 128/203.21
D510,911 S	10/2005	Jeal et al.	2010/0175696 A1	7/2010	Ishizeki et al.
D515,204 S *	2/2006	Guney ..... D24/110.1	2010/0300440 A1	12/2010	Deboeck et al.
D520,059 S	5/2006	Shibata	2011/0220106 A1	9/2011	Ganem et al.
D525,511 S	7/2006	Hung	2011/0277752 A1	11/2011	Cheu et al.
D533,428 S	12/2006	Tsai	2011/0283997 A1 *	11/2011	Walsh ..... A61M 15/0065 128/200.23
7,146,978 B2	12/2006	Edwards et al.	2012/0111325 A1	5/2012	Hrkach
D542,620 S	5/2007	Thompson et al.	2013/0065321 A1 *	3/2013	Nazareth ..... G01N 21/8483 436/500
D545,438 S	6/2007	Huang et al.			
7,278,425 B2	10/2007	Edwards et al.			
7,284,553 B2	10/2007	Hochrainer			
D563,798 S *	3/2008	Gibson ..... D9/724			
D568,988 S	5/2008	Galbraith			
D581,461 S	11/2008	Li			
D585,491 S	1/2009	Booker			

(56)

**References Cited**

**OTHER PUBLICATIONS**

U.S. PATENT DOCUMENTS

2013/0217136 A1\* 8/2013 Nazareth ..... G01N 33/54386  
436/86  
2014/0150787 A1 6/2014 Ellwanger et al.  
2015/0099726 A1\* 4/2015 Dalvi ..... A61K 31/57  
514/171  
2015/0238715 A1\* 8/2015 Walsh ..... A61M 15/0078  
128/200.23

Invitation to Pay Additional Fees and, Where Applicable Protest Fees  
for International Application No. PCT/US2013/072769, mailed Mar.

21, 2014, 5 pages.

\* cited by examiner

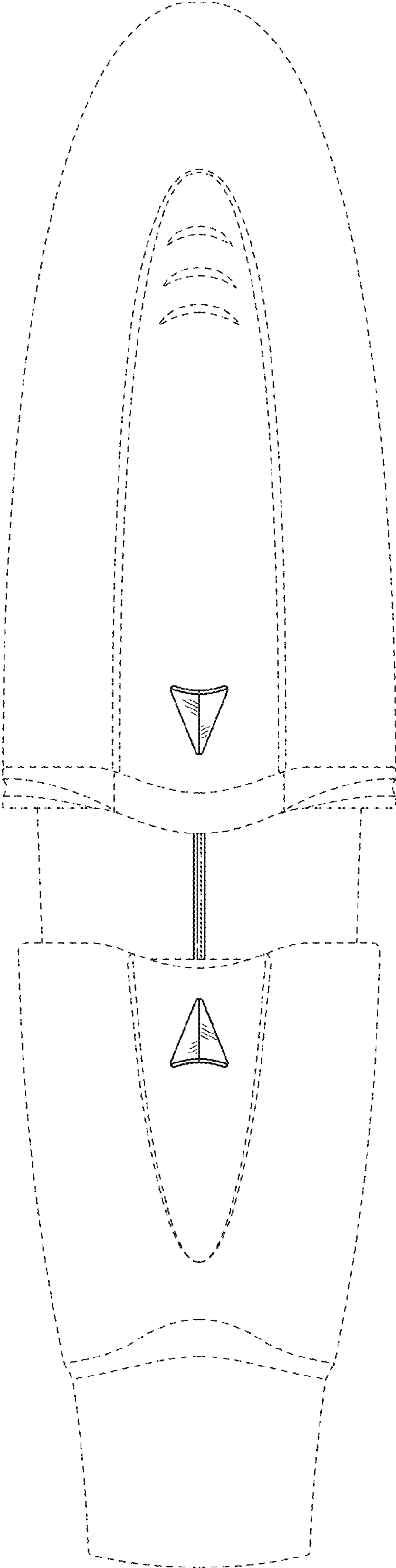


FIG. 1

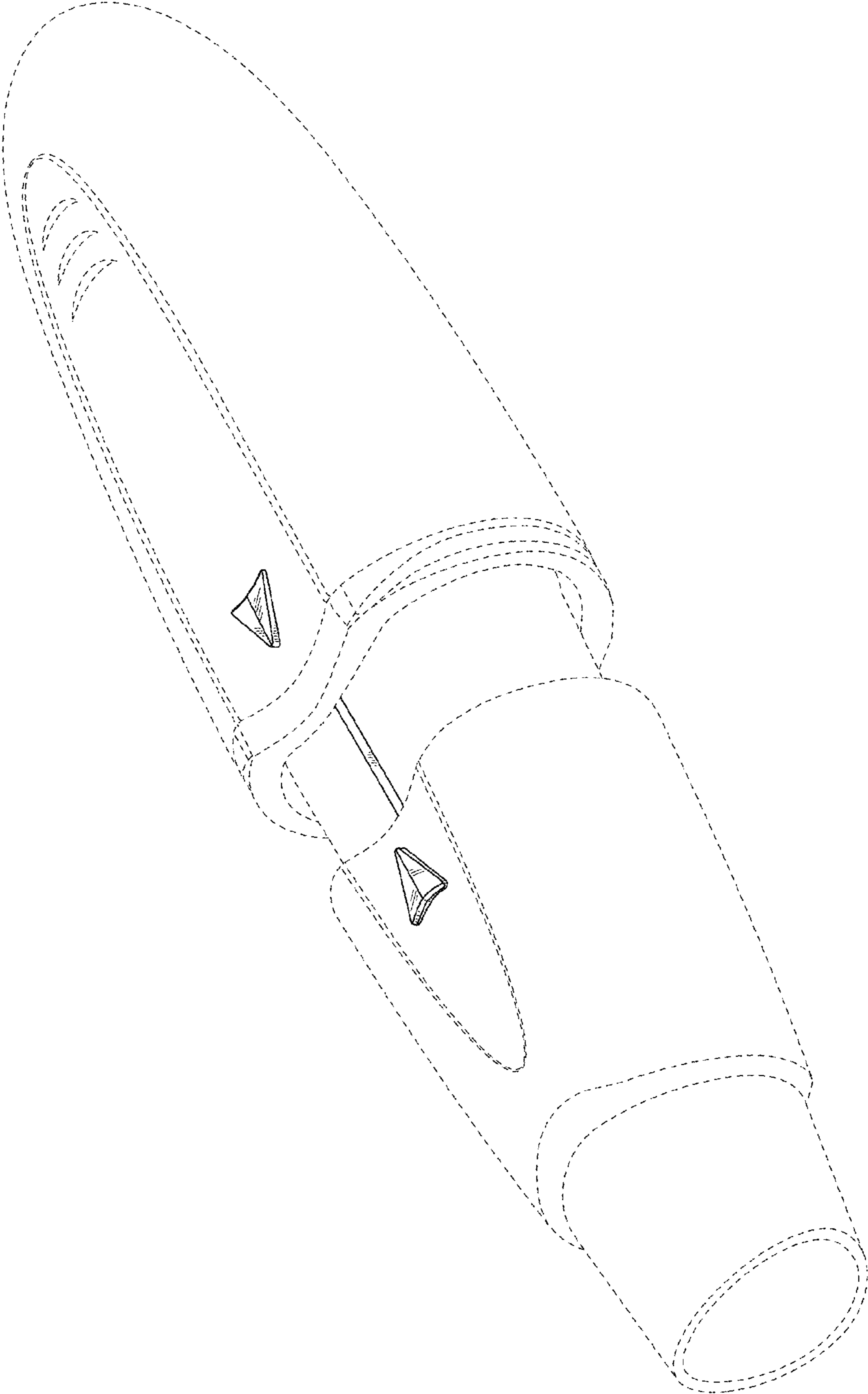


FIG. 2

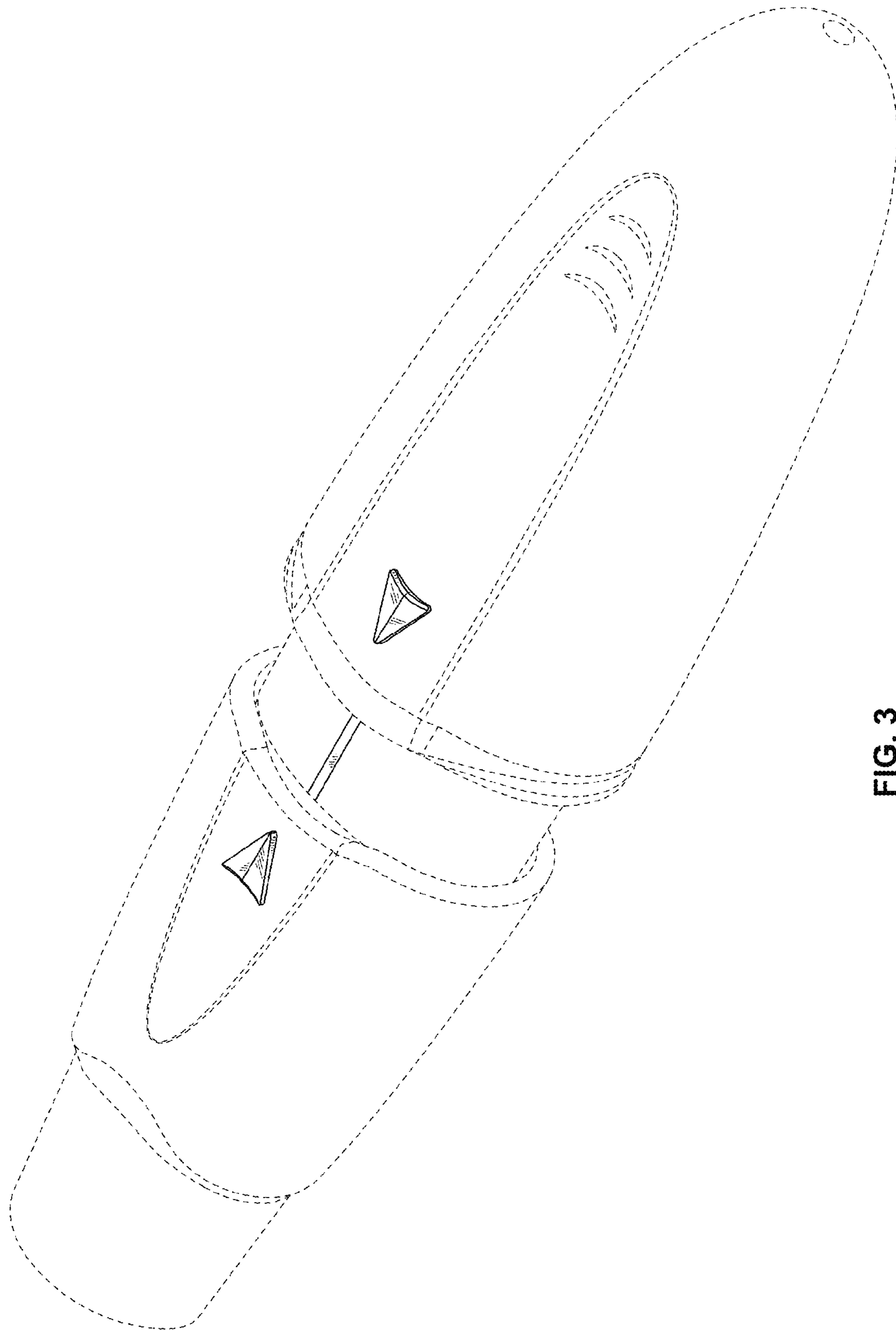


FIG. 3

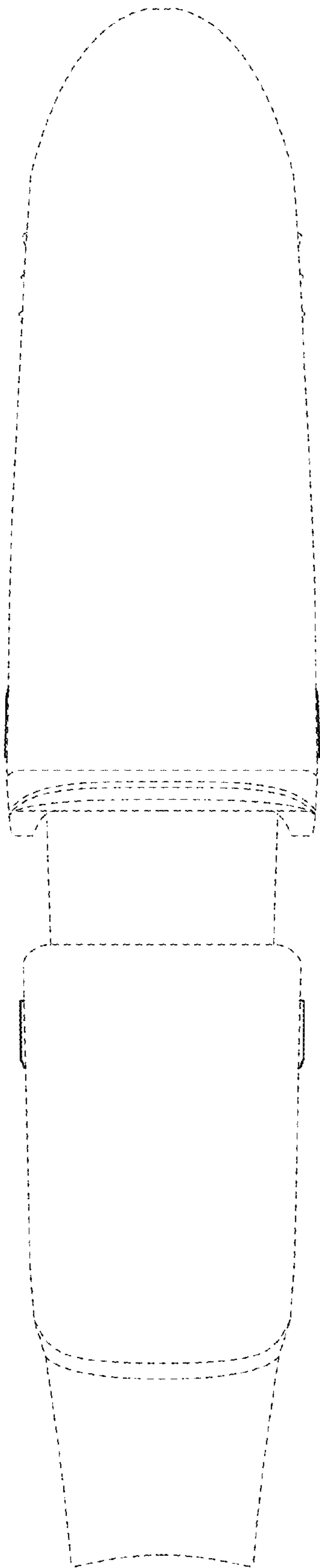


FIG. 4

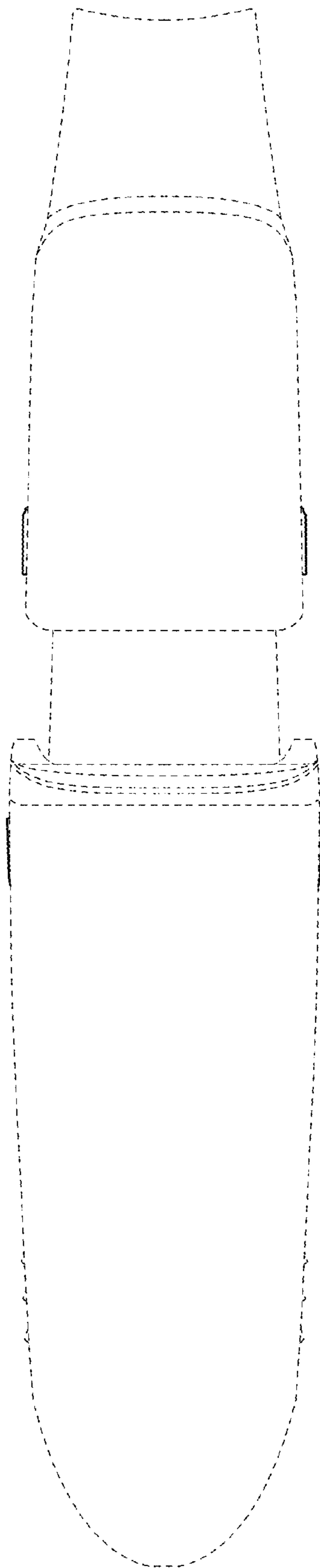


FIG. 5