

US00D755359S

(12) **United States Design Patent**
Rentschler

(10) **Patent No.:** **US D755,359 S**
(45) **Date of Patent:** **** May 3, 2016**

- (54) **AIR CLEANER**
- (71) Applicant: **Rentschler Reven GmbH**, Sersheim (DE)
- (72) Inventor: **Sven Rentschler**, Sersheim (DE)
- (73) Assignee: **Rentschler Reven GmbH**, Sersheim (DE)
- (**) Term: **14 Years**
- (21) Appl. No.: **29/522,260**
- (22) Filed: **Mar. 30, 2015**

D319,499 S	8/1991	Hague	
D345,009 S	3/1994	Lewis et al.	
D348,727 S	7/1994	Sawyer	
D349,333 S	8/1994	King	
D366,522 S	1/1996	Lagace et al.	
D371,435 S	7/1996	Locke	
D405,170 S	2/1999	Haeck	
D445,886 S	7/2001	Mori et al.	
D566,256 S	4/2008	Abate et al.	
D611,132 S *	3/2010	Borgi	D23/355
D611,134 S *	3/2010	Borgi	D23/355
D612,035 S *	3/2010	Borgi	D23/355
D615,179 S *	5/2010	Borgi	D23/355
D656,601 S	3/2012	Roderique et al.	
D657,037 S	4/2012	Lo	
D674,474 S	1/2013	Rentschler	
D741,466 S *	10/2015	Satou	D23/364

- (30) **Foreign Application Priority Data**
- Nov. 27, 2014 (EM) 002586230
- (51) **LOC (10) Cl.** **23-04**
- (52) **U.S. Cl.**
- USPC **D23/355**
- (58) **Field of Classification Search**
- USPC D23/355, 356, 359, 360, 364, 366, 368, 422/120, 122; 96/97
- CPC A61L 9/16; A61L 9/22; B01D 47/00; B01D 47/027; B01D 2221/02; B01D 2259/4508; B03C 3/155; F24F 3/16; F24F 13/20; F24F 13/28; F24F 2001/0096; F24F 3/1405; F24F 3/1603; F24F 13/222
- See application file for complete search history.

- (56) **References Cited**
- U.S. PATENT DOCUMENTS**
- D171,429 S * 2/1954 Thompson D23/359
- D190,775 S * 6/1961 Nesbitt D23/356
- D282,275 S 1/1986 Price
- D316,447 S 4/1991 Woodson et al.

OTHER PUBLICATIONS

Reven Brochure, Reven Ultra-Cleaner, 5 pages, 2005.

* cited by examiner

Primary Examiner — Ralf Seifert

(74) *Attorney, Agent, or Firm* — Lipsitz & McAllister, LLC

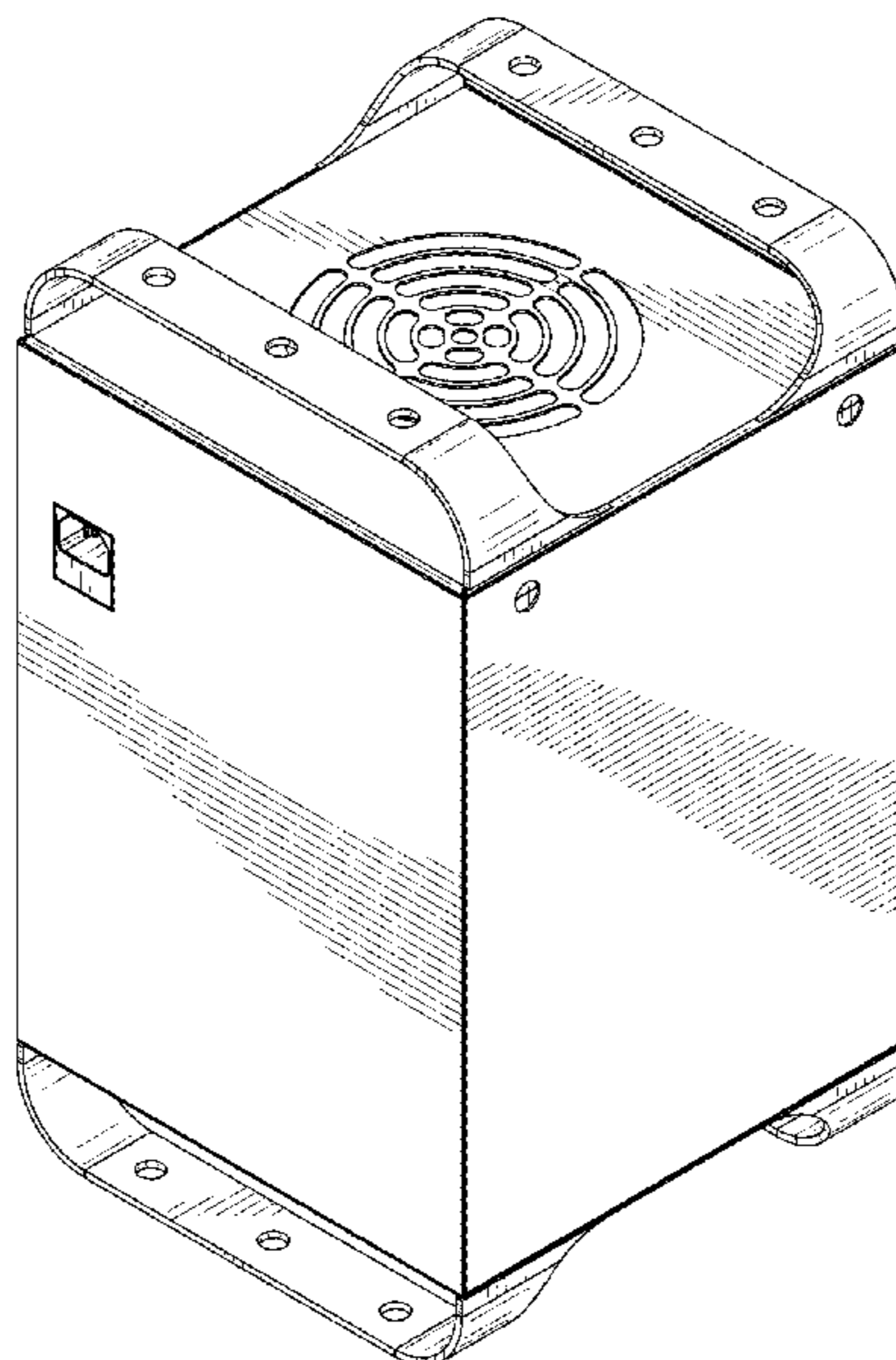
(57) **CLAIM**

The ornamental design for an air cleaner, as shown and described.

DESCRIPTION

FIG. 1 is a top, front and right side perspective view of an air cleaner showing the new design;
 FIG. 2 is a bottom perspective view thereof;
 FIG. 3 is right side perspective view thereof;
 FIG. 4 is a front elevational view thereof;
 FIG. 5 is a left side elevational view thereof;
 FIG. 6 is a rear elevational view thereof;
 FIG. 7 is a top plan view thereof; and,
 FIG. 8 is a bottom plan view thereof.

1 Claim, 8 Drawing Sheets



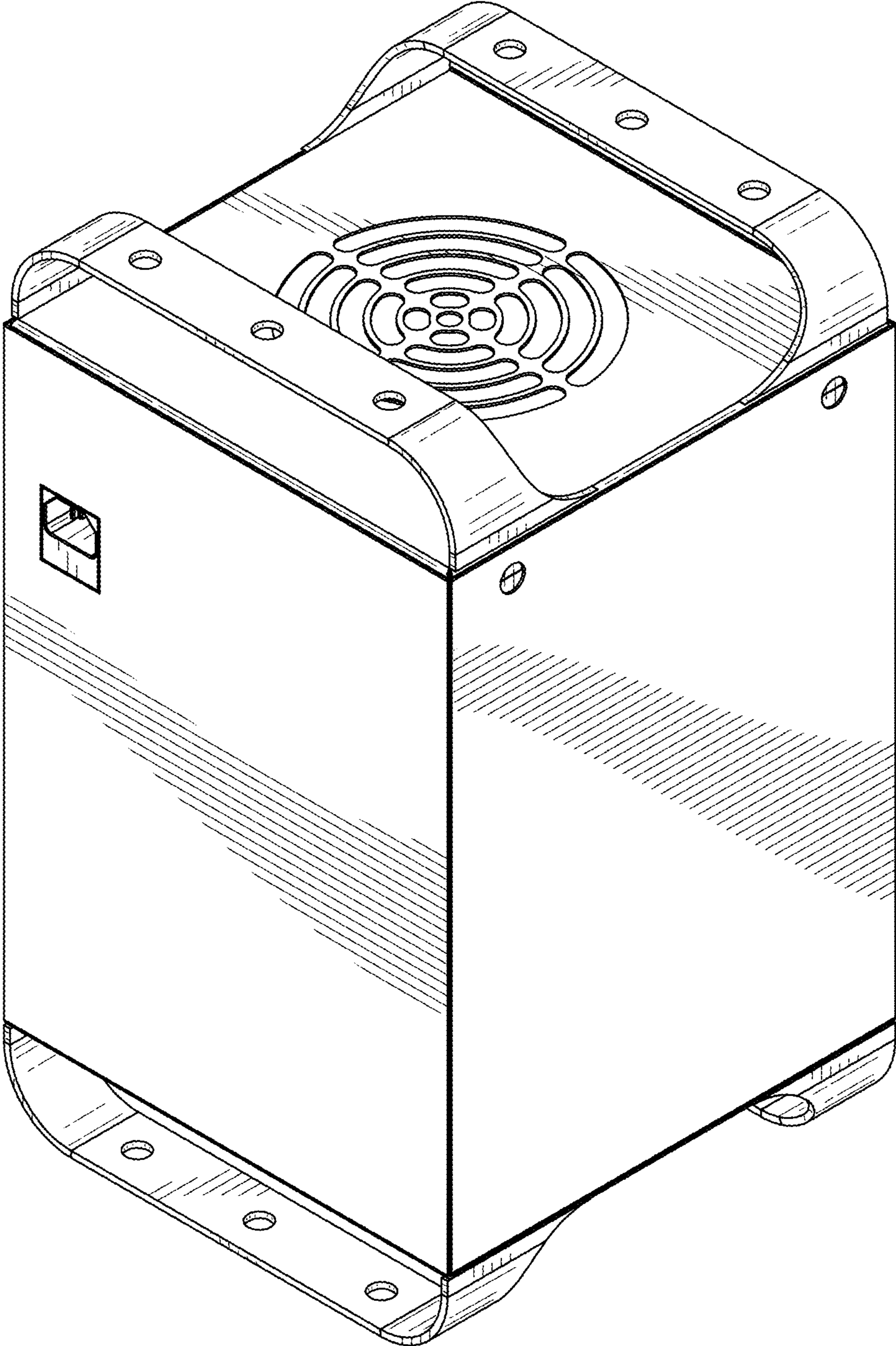


FIG. 1

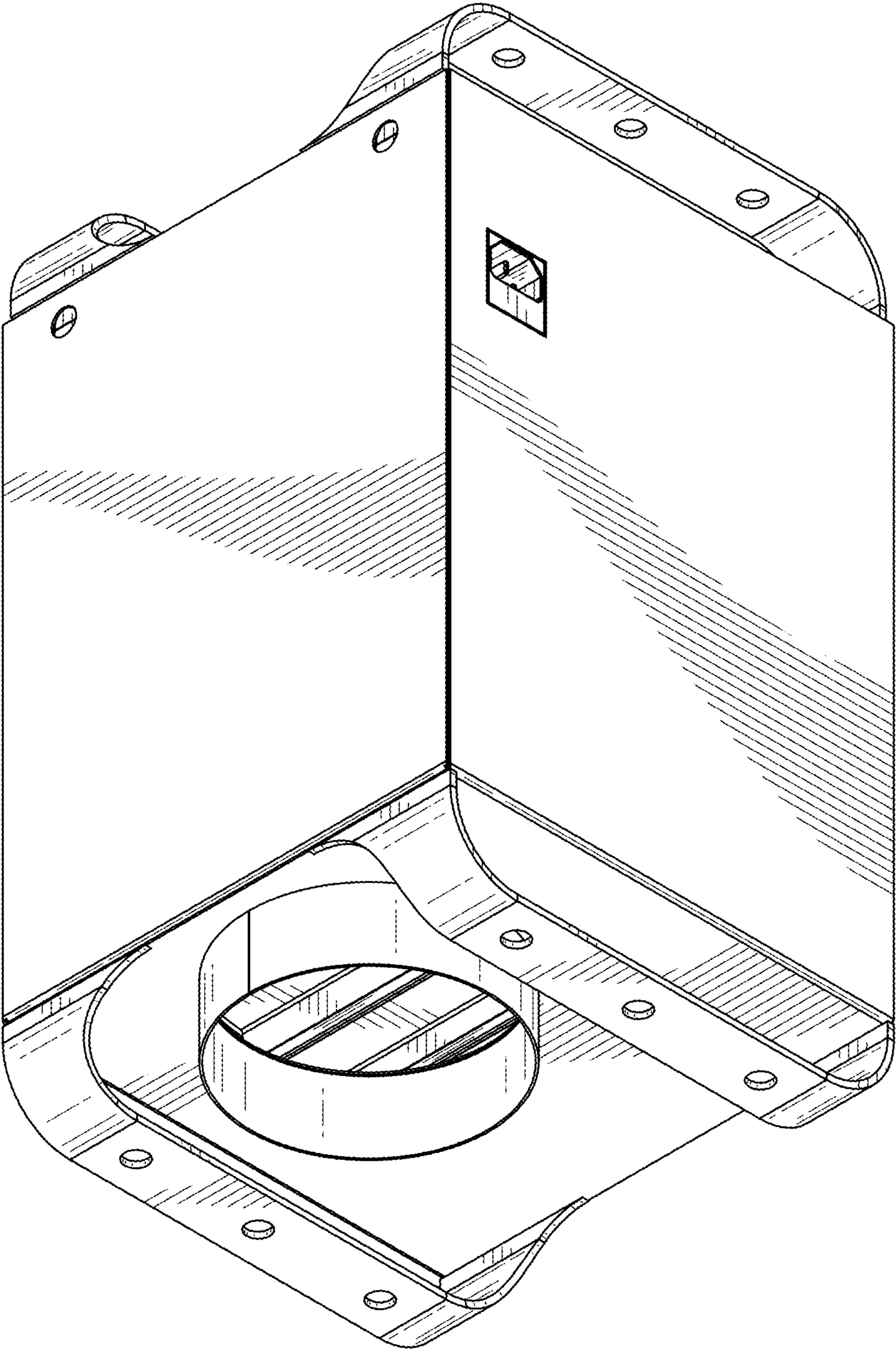


FIG. 2

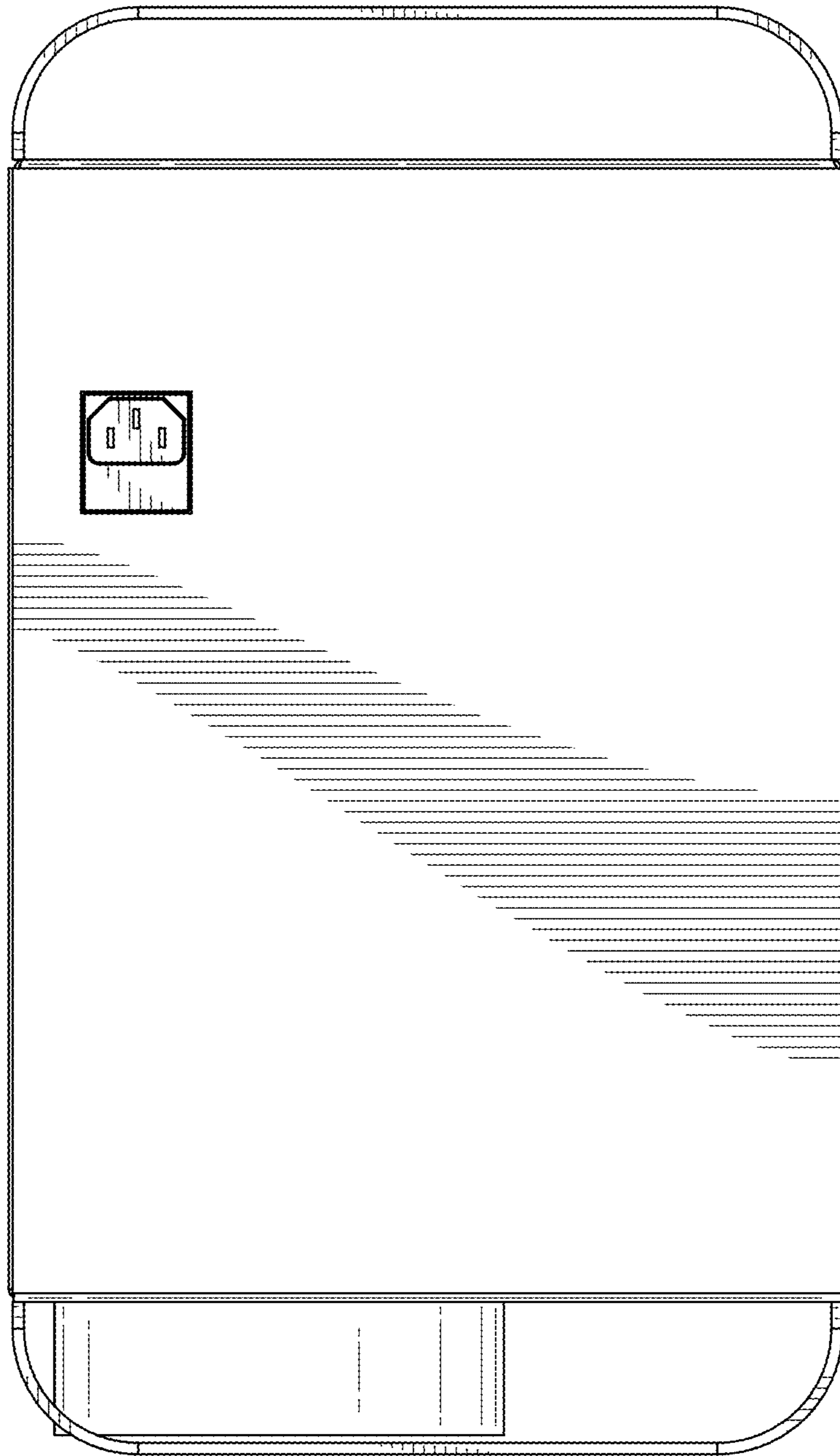


FIG. 3

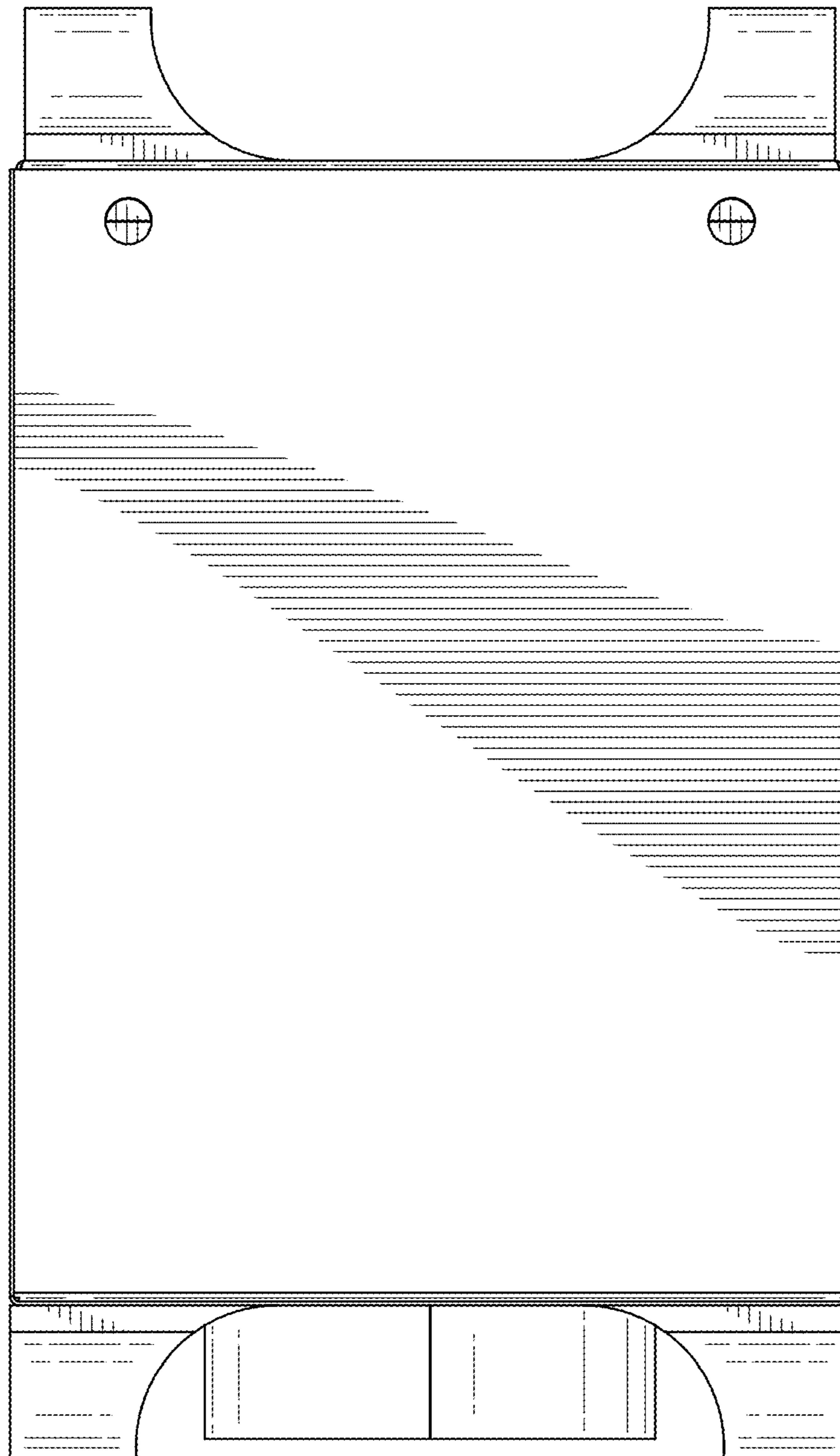


FIG. 4

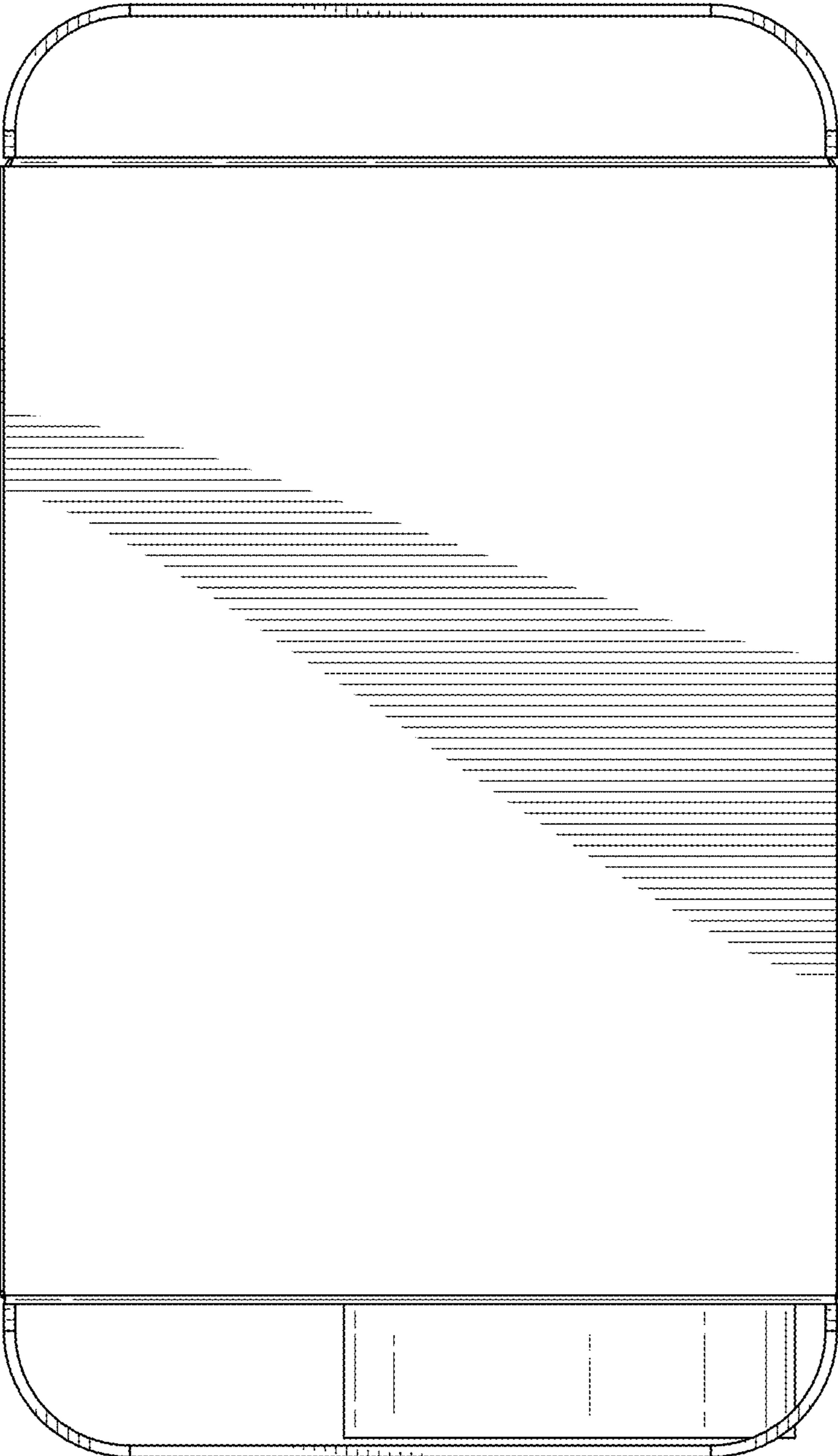


FIG. 5

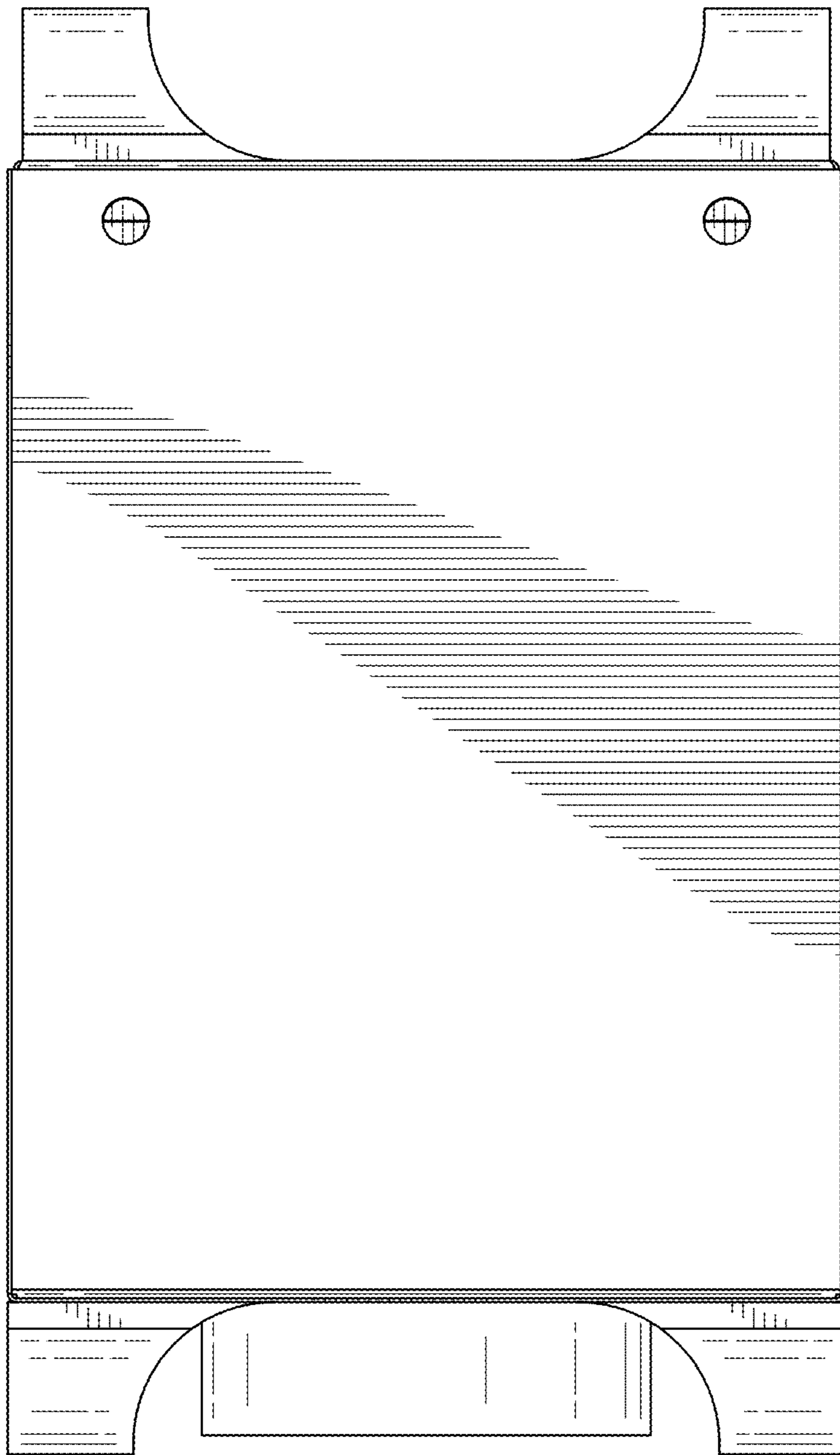


FIG. 6

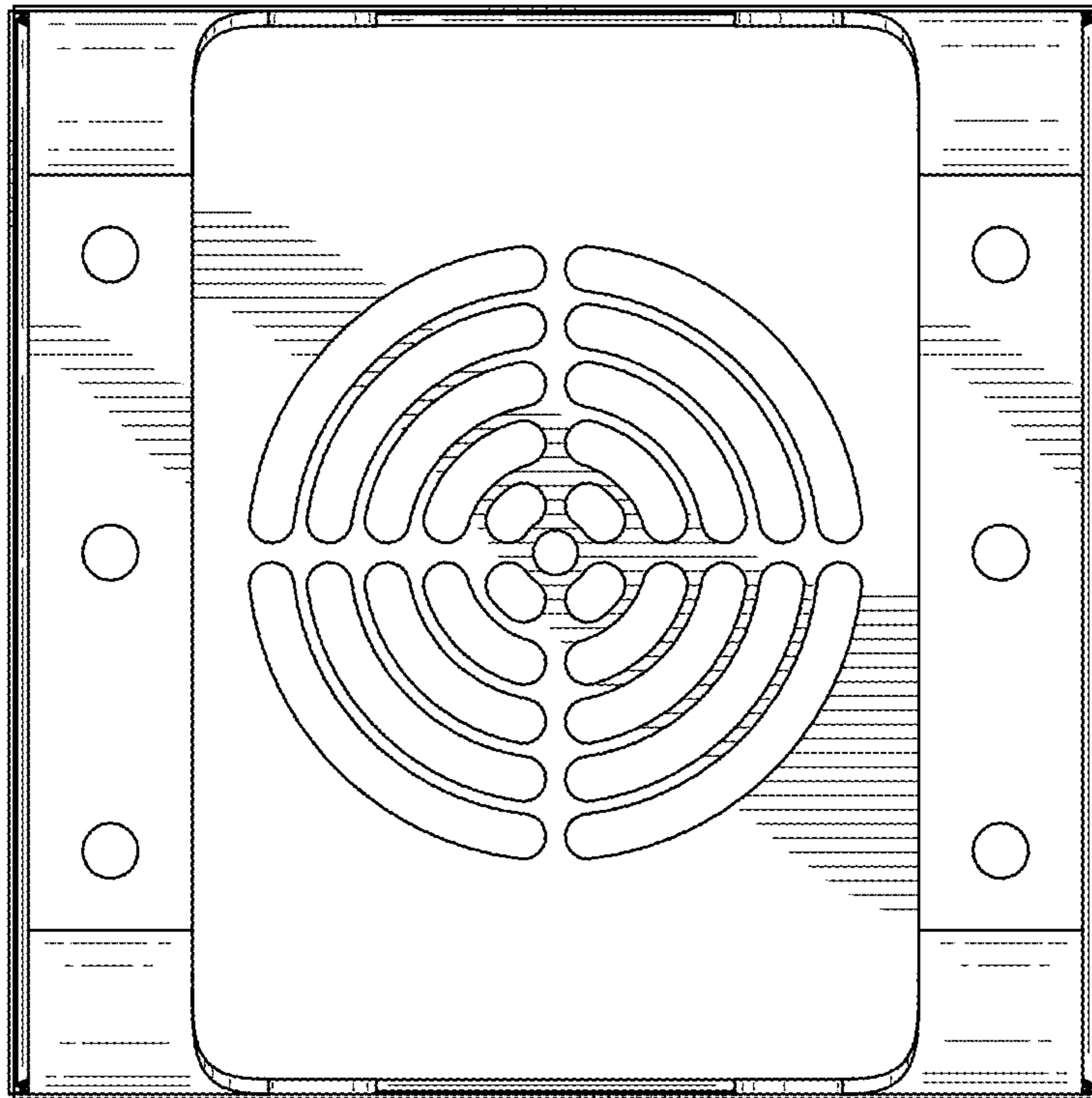


FIG. 7

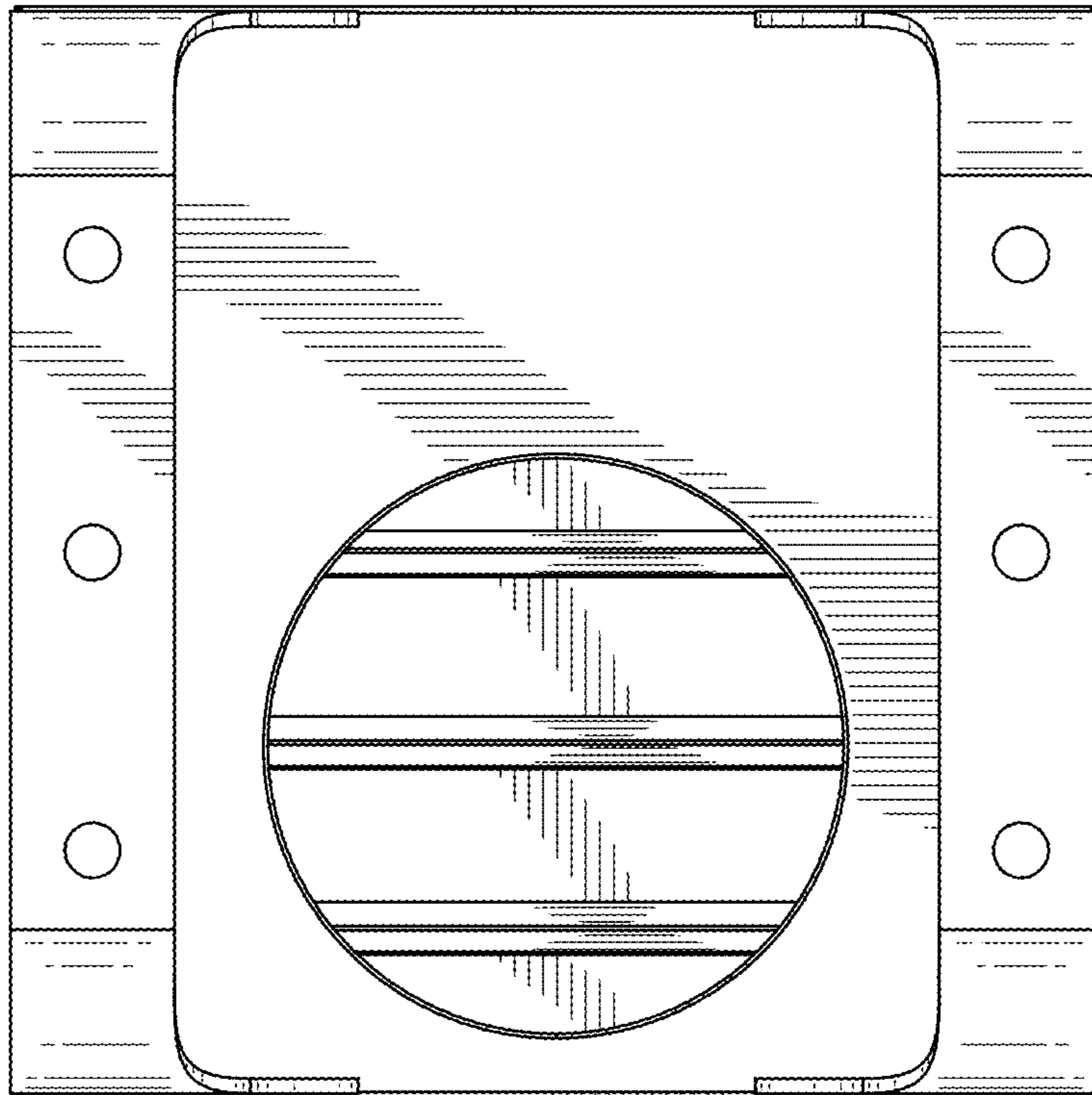


FIG. 8