



US00D755355S

(12) **United States Design Patent**
Knight

(10) **Patent No.:** **US D755,355 S**

(45) **Date of Patent:** **** May 3, 2016**

(54) **TWO WAY DOUBLE BARREL CLEAN-OUT FITTING**

(71) Applicant: **Michael R. Knight**, Grand Prairie, TX (US)

(72) Inventor: **Michael R. Knight**, Grand Prairie, TX (US)

(**) Term: **14 Years**

(21) Appl. No.: **29/517,866**

(22) Filed: **Feb. 18, 2015**

Related U.S. Application Data

(63) Continuation-in-part of application No. 29/506,181, filed on Oct. 14, 2014, now Pat. No. Des. 743,004.

(51) **LOC (10) Cl.** **23-01**

(52) **U.S. Cl.**
USPC **D23/262**

(58) **Field of Classification Search**
USPC D23/209, 233, 235, 238, 249, 253, 254, D23/257, 259-269, 303, 304, 308; D12/197; D9/435

CPC B01D 35/04; B01D 29/13; B01D 29/19; B01D 36/006; B01D 2201/295; B01D 2201/304; F02M 37/221; A47K 3/28; A47K 3/30; A47K 3/281; A47K 3/283; E03C 1/20; E03C 1/26; E03C 1/28; E03C 1/122; E03C 1/262; E03C 1/292; E03F 5/02; E03F 5/04; F16L 37/252; F16L 41/007; F16L 43/008; F16L 55/07; F16L 25/0036; B08B 9/032

See application file for complete search history.

(56) **References Cited**

U.S. PATENT DOCUMENTS

2,476,908	A *	7/1949	Radcliffe	E03C 1/122
					138/39
2,567,165	A *	9/1951	Buskirk	E03C 1/122
					285/125.1
3,495,281	A *	2/1970	Palowsky	E03C 1/122
					285/129.1
D354,801	S *	1/1995	Grant	D23/263
5,509,148	A *	4/1996	Steele	E03C 1/122
					137/240
D418,398	S *	1/2000	Hirano	D8/382
D449,107	S *	10/2001	Madsen	D24/129
6,588,803	B2 *	7/2003	Vila	F16L 43/008
					285/125.1
D498,819	S *	11/2004	Goetz	D23/245
D499,166	S *	11/2004	Weidmann	D23/209
D589,127	S *	3/2009	Cornwall	D23/268
D592,492	S *	5/2009	Werschmidt	D8/382
D630,305	S *	1/2011	Adams	D23/259
D656,225	S *	3/2012	Dole	D23/263
D676,942	S *	2/2013	Kluss	D23/262
D741,458	S *	10/2015	Guest	D23/262
D743,004	S *	11/2015	Knight	D23/259

* cited by examiner

Primary Examiner — George D Kirschbaum

Assistant Examiner — Amy Wierenga

(74) *Attorney, Agent, or Firm* — Craig Hoersten

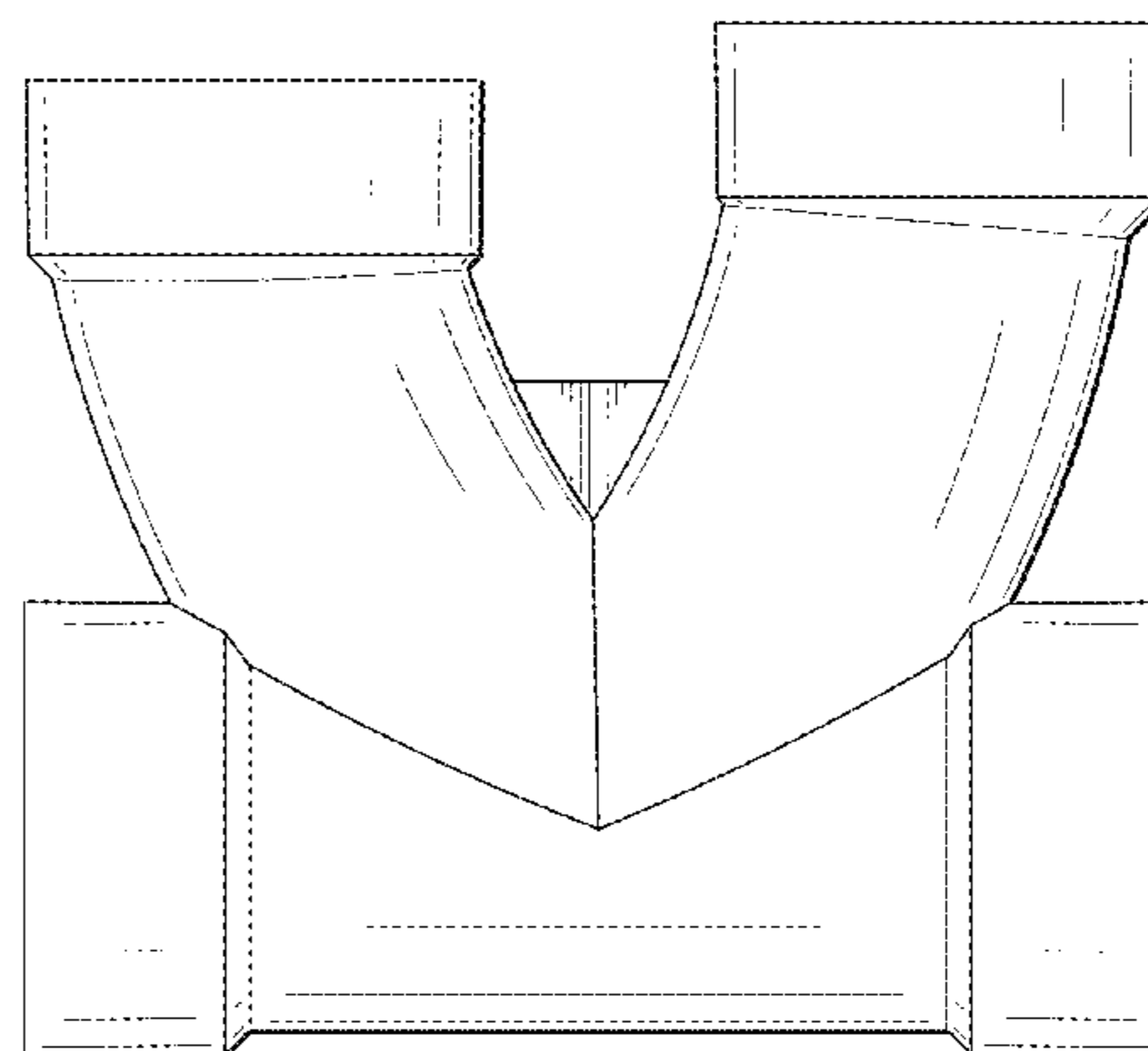
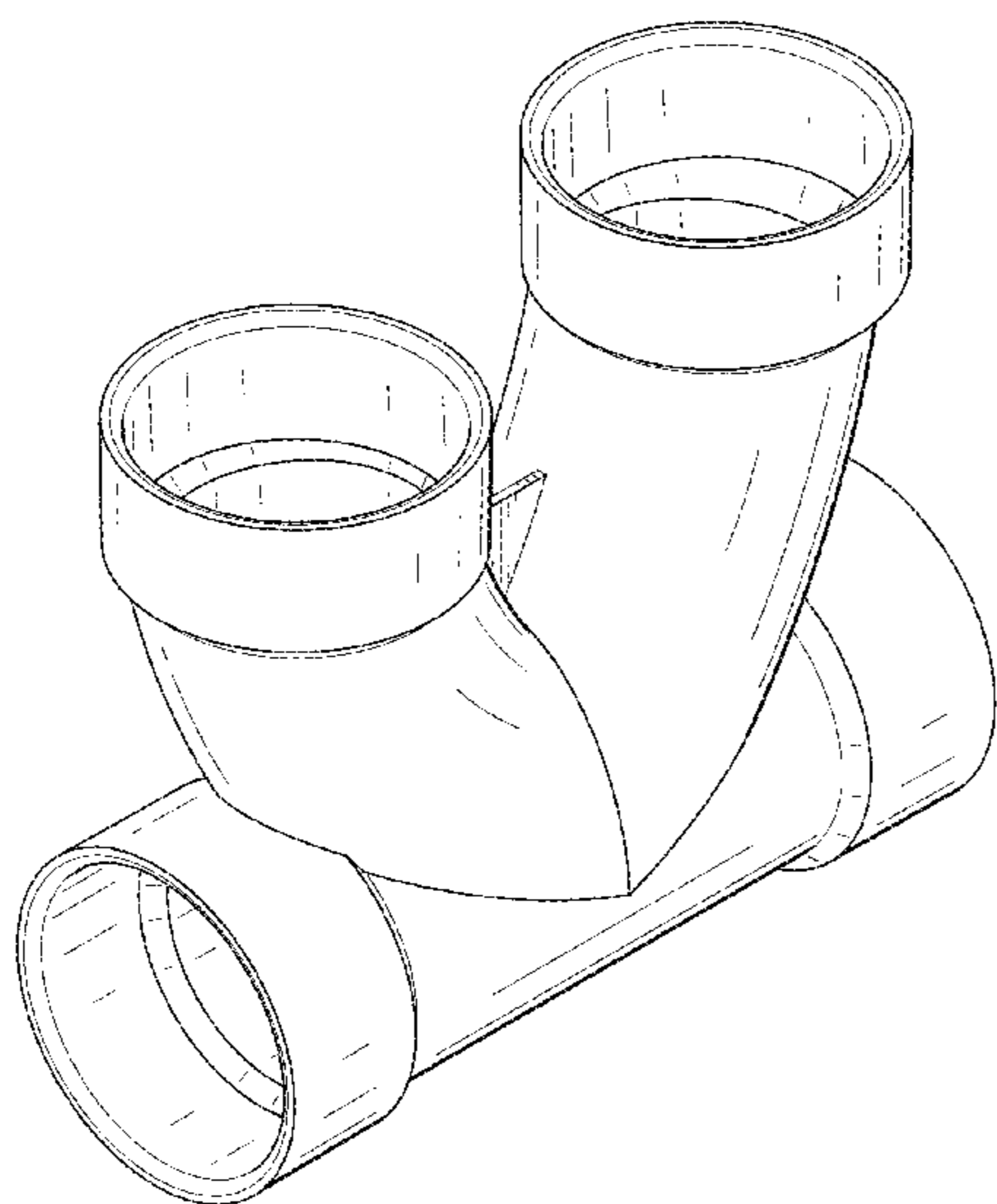
(57) **CLAIM**

The ornamental design for the two way double barrel clean-out fitting, as shown and described.

DESCRIPTION

FIG. 1 is a perspective view of a two way double barrel clean-out fitting;
FIG. 2 is a front side view thereof;
FIG. 3 is a rear view thereof;
FIG. 4 is a right end view thereof;
FIG. 5 is a left end view thereof;
FIG. 6 is a top view thereof; and,
FIG. 7 is a bottom view thereof.

1 Claim, 5 Drawing Sheets



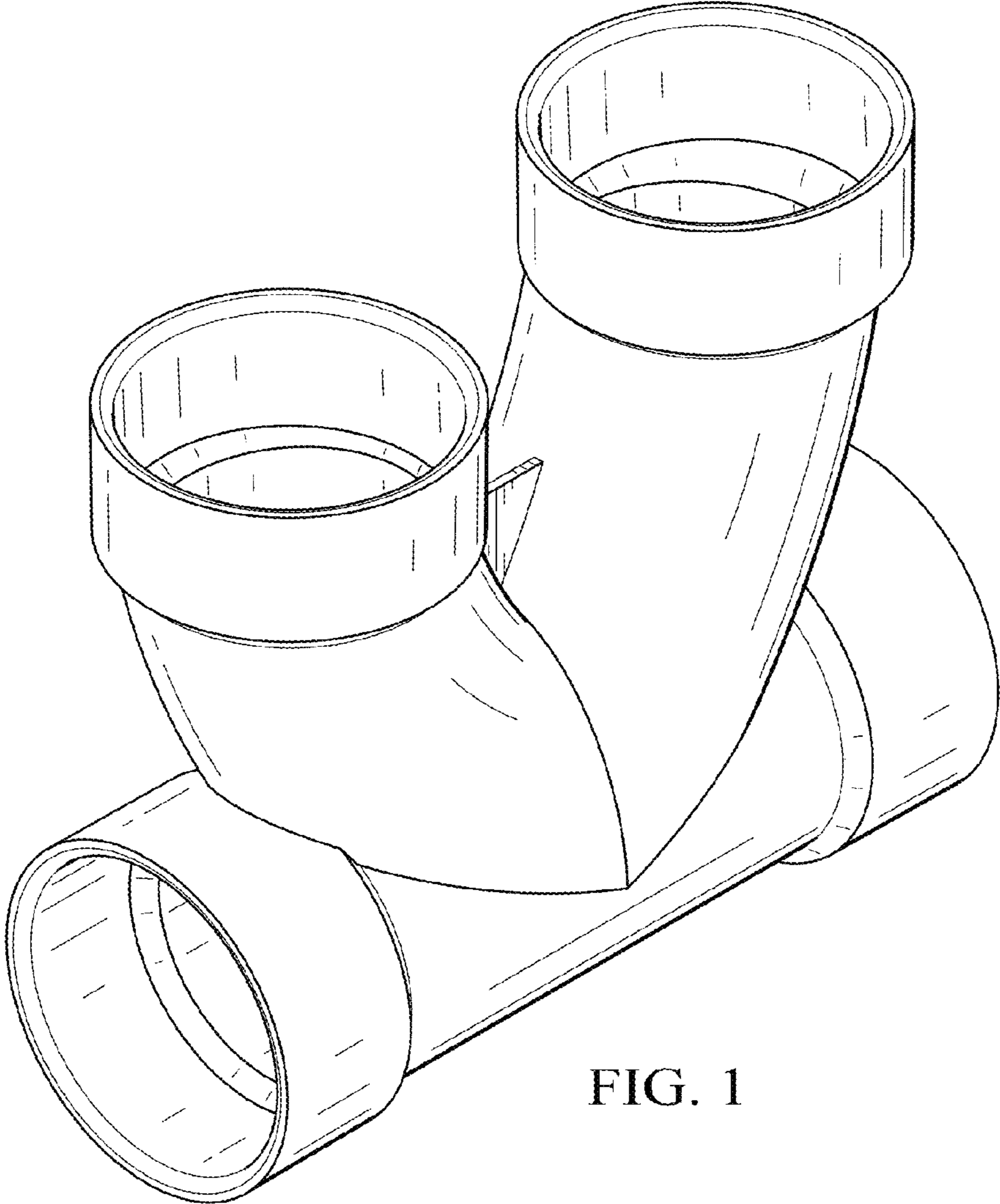


FIG. 1

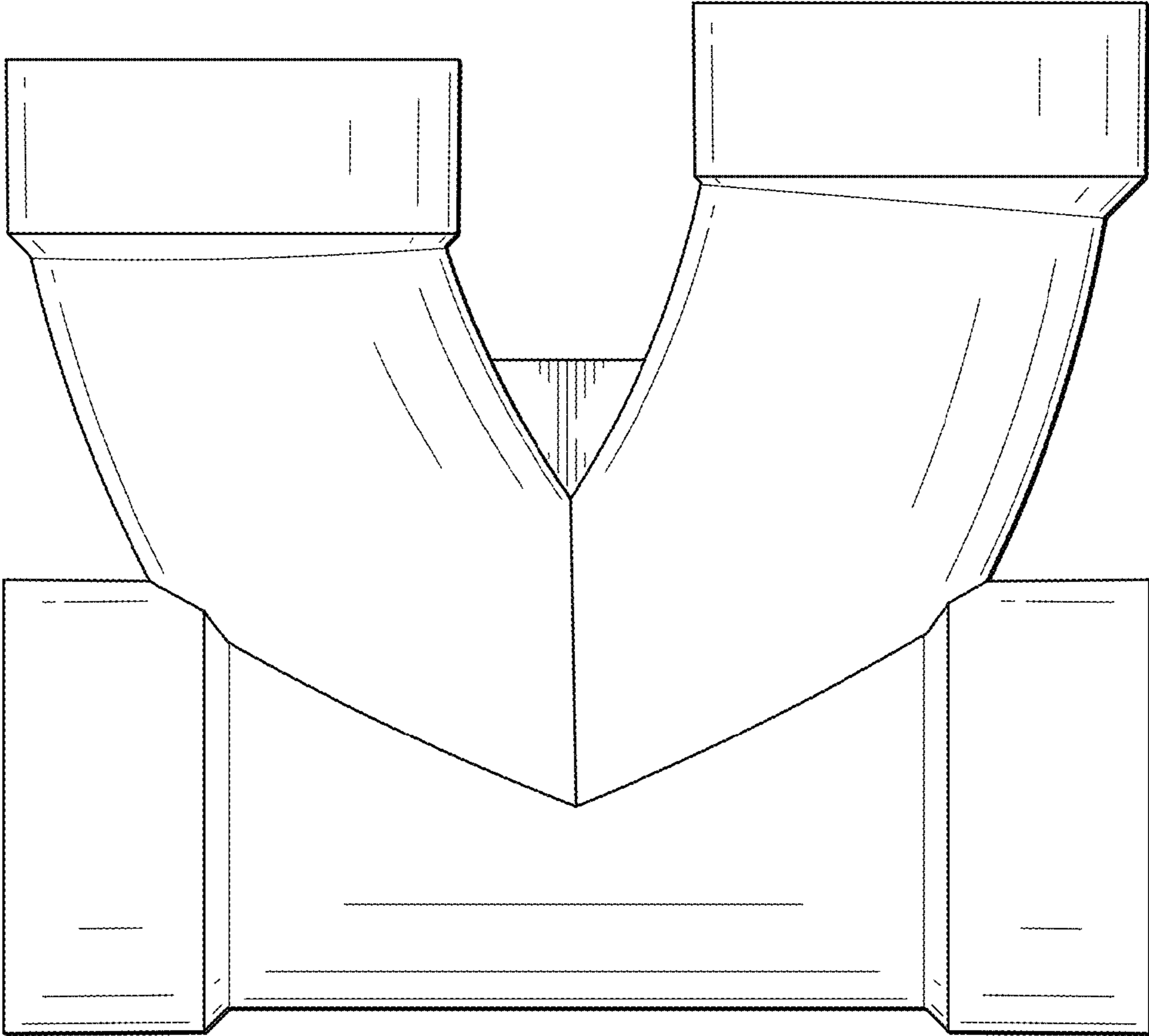


FIG. 2

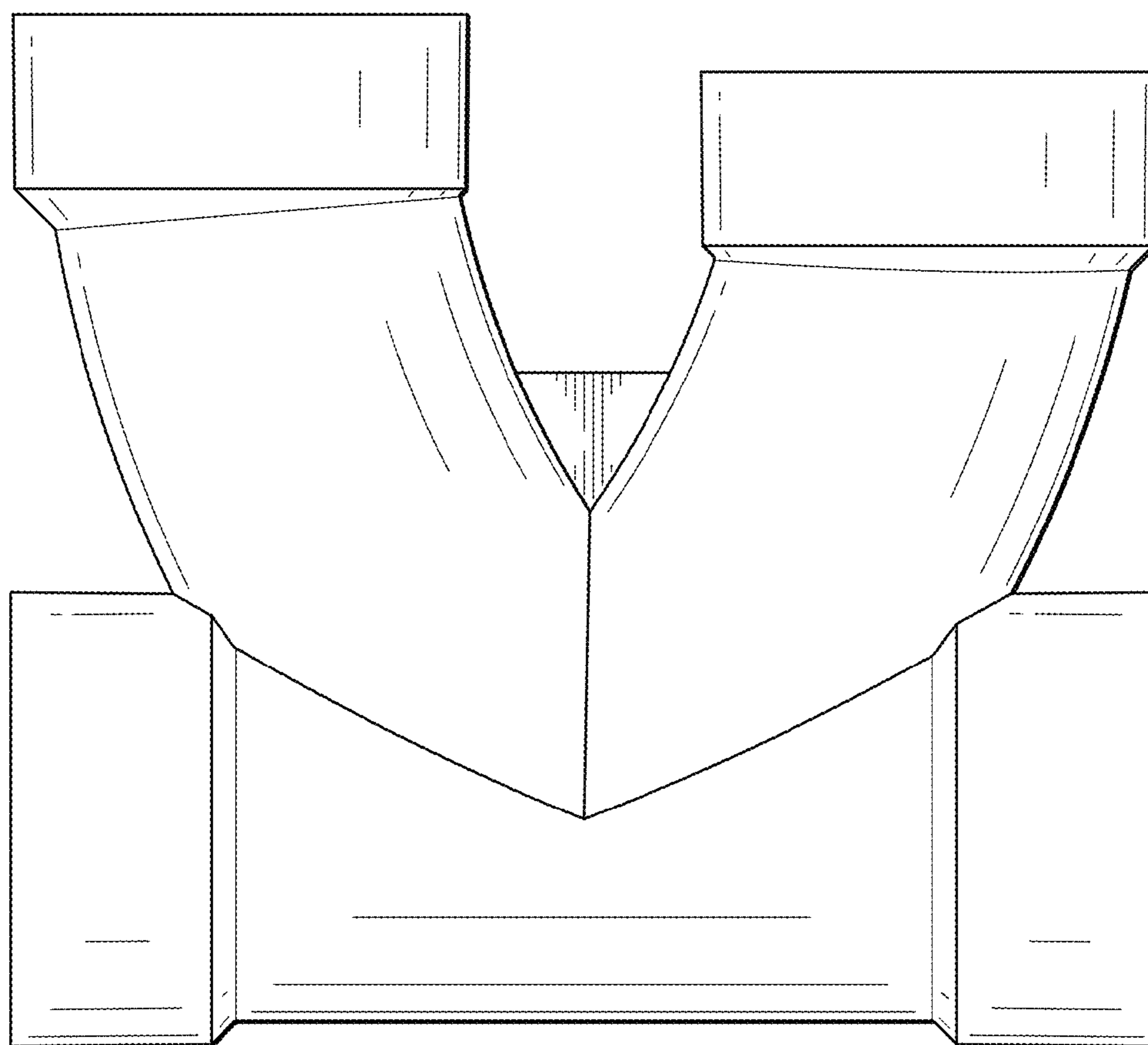


FIG. 3

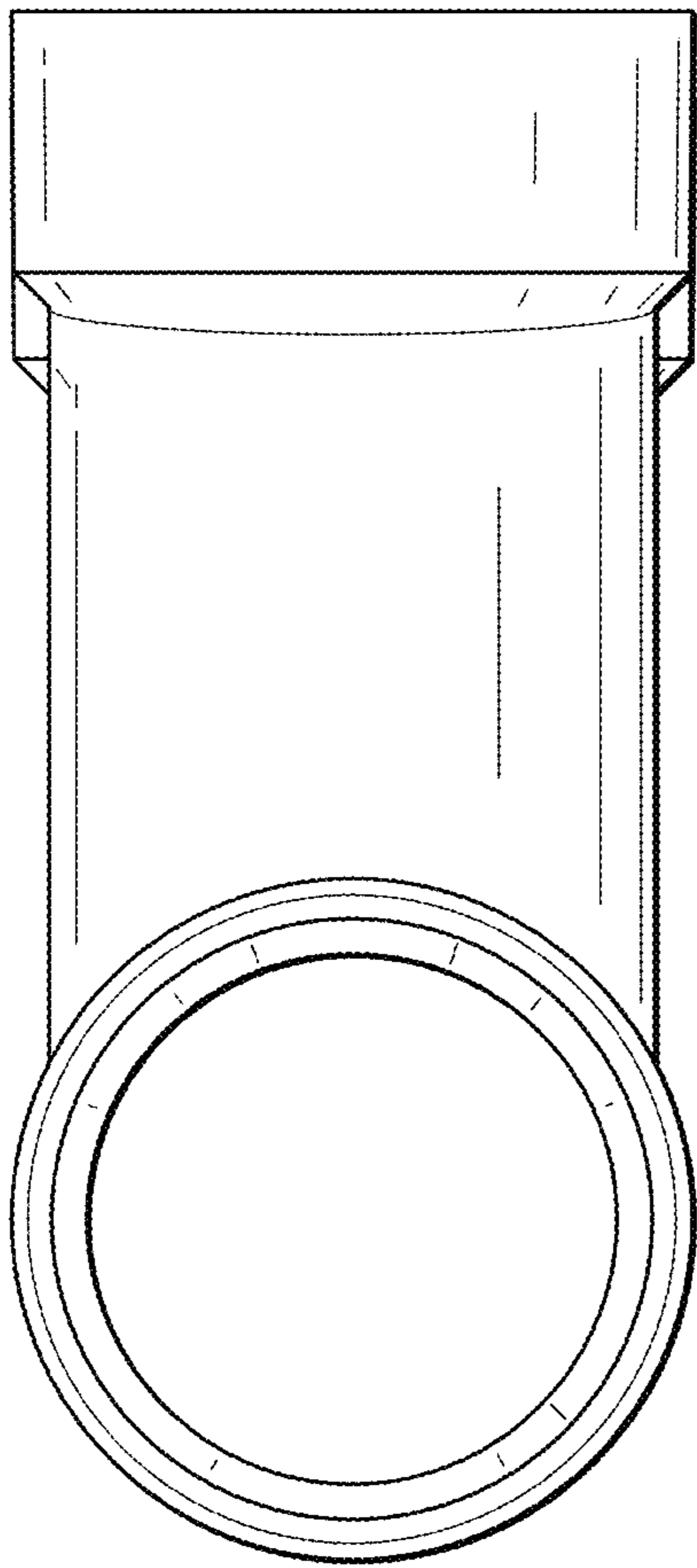


FIG. 4

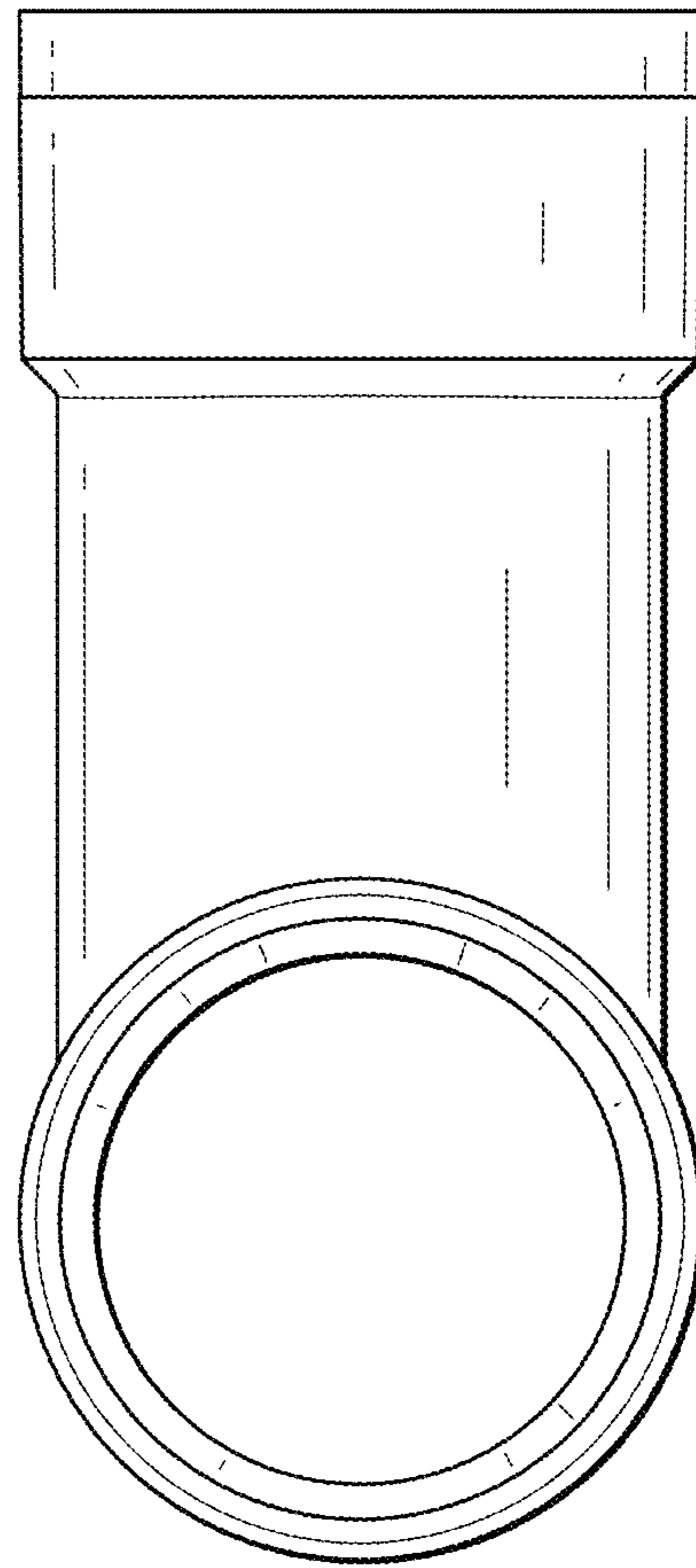


FIG. 5

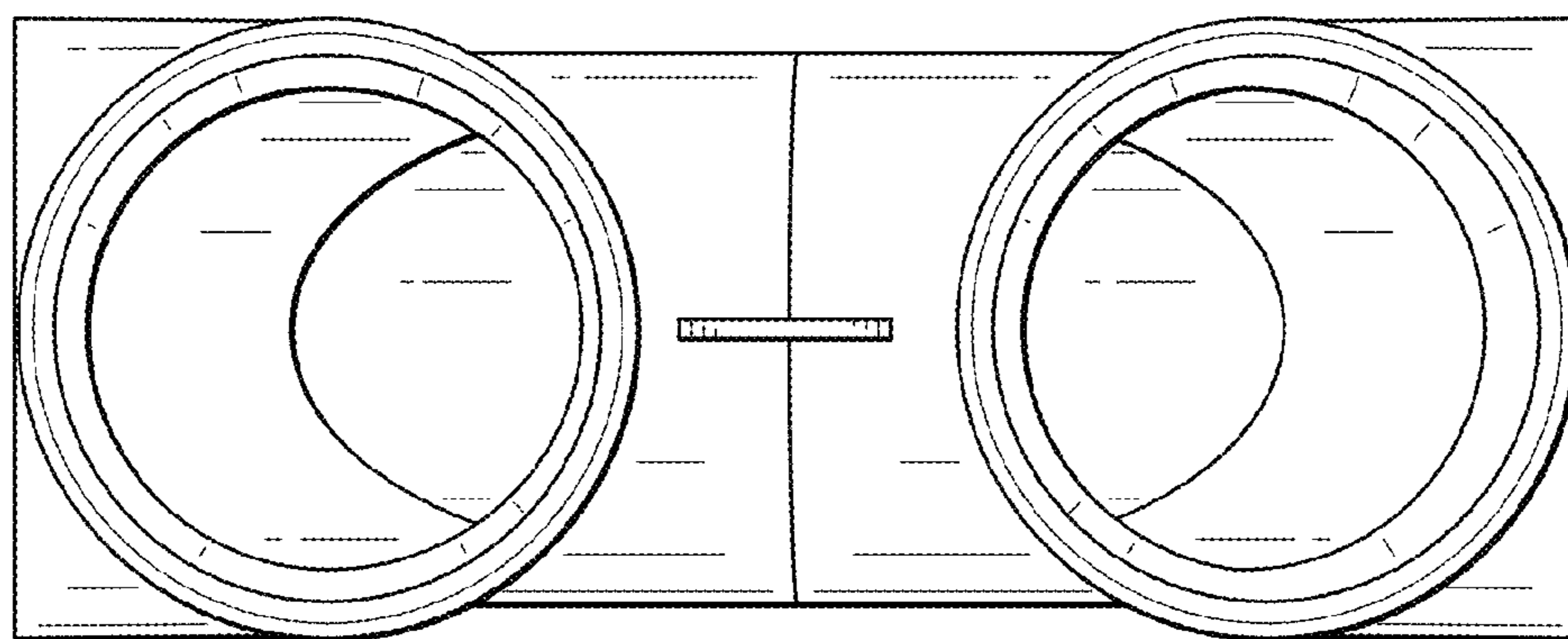


FIG. 6

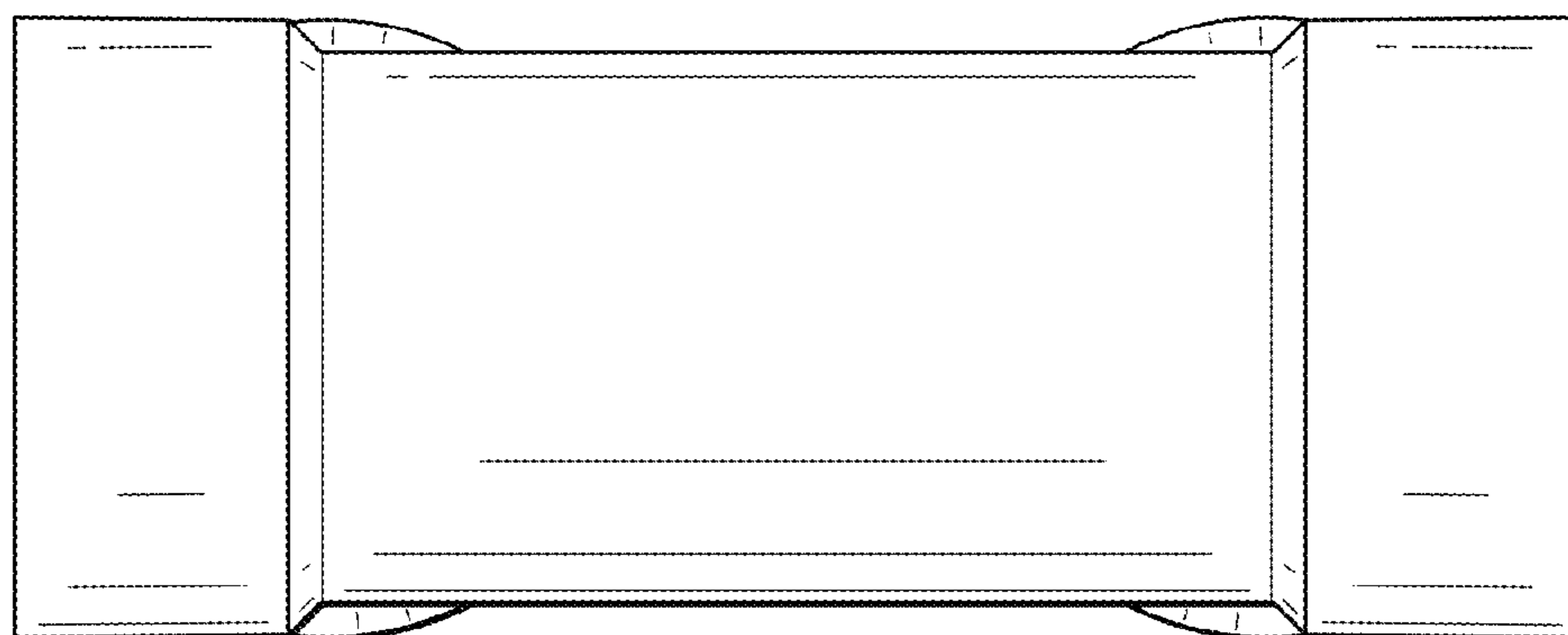


FIG. 7