



US00D755353S

(12) **United States Design Patent**
Ingels et al.

(10) **Patent No.:** **US D755,353 S**
(45) **Date of Patent:** **** May 3, 2016**

(54) **FAUCET**

(71) Applicant: **Kohler Co.**, Kohler, WI (US)

(72) Inventors: **Bjarke Ingels**, New York, NY (US);
Lars Holme Larsen, København N (DK); **Thomas Christoffersen**, New York, NY (US); **Jens Martin**, Holte (DK)

(73) Assignee: **KOHLER CO.**, Kohler, WI (US)

(**) Term: **15 Years**

(21) Appl. No.: **29/544,383**

(22) Filed: **Nov. 3, 2015**

Related U.S. Application Data

(62) Division of application No. 29/502,003, filed on Sep. 10, 2014, now Pat. No. Des. 750,204.

(51) **LOC (10) Cl.** **23-01**

(52) **U.S. Cl.**
USPC **D23/255**

(58) **Field of Classification Search**
USPC D23/238–243, 249, 253, 255, 257, 250,
D23/252

CPC E03C 1/04; E03C 1/0401; E03C 1/0402;
E03C 1/0404

See application file for complete search history.

(56) **References Cited**

U.S. PATENT DOCUMENTS

D291,233 S 8/1987 Jans
D302,849 S 8/1989 Kohler et al.
D316,747 S 5/1991 Fleischmann

D405,512 S 2/1999 Delker
D445,877 S 7/2001 Paredes
D466,593 S 12/2002 Otero et al.
D634,815 S 3/2011 Barry
D682,992 S 5/2013 Obara et al.
D685,882 S 7/2013 Garland

Primary Examiner — Robert Delehanty

(74) *Attorney, Agent, or Firm* — Foley & Lardner LLP

(57) **CLAIM**

We claim the ornamental design for a faucet, as shown and described.

DESCRIPTION

FIG. 1 is a perspective view of an embodiment of the claimed design;

FIG. 2 is a front view of the claimed design of FIG. 1;

FIG. 3 is a rear view of the claimed design of FIG. 1;

FIG. 4 is a right side view of the claimed design of FIG. 1;

FIG. 5 is a left side view of the claimed design of FIG. 1;

FIG. 6 is a top view of the claimed design of FIG. 1;

FIG. 7 is a bottom view of the claimed design of FIG. 1;

FIG. 8 is a perspective view of another embodiment of the claimed design;

FIG. 9 is a front view of the claimed design of FIG. 8;

FIG. 10 is a rear view of the claimed design of FIG. 8;

FIG. 11 is a right side view of the claimed design of FIG. 8;

FIG. 12 is a left side view of the claimed design of FIG. 8;

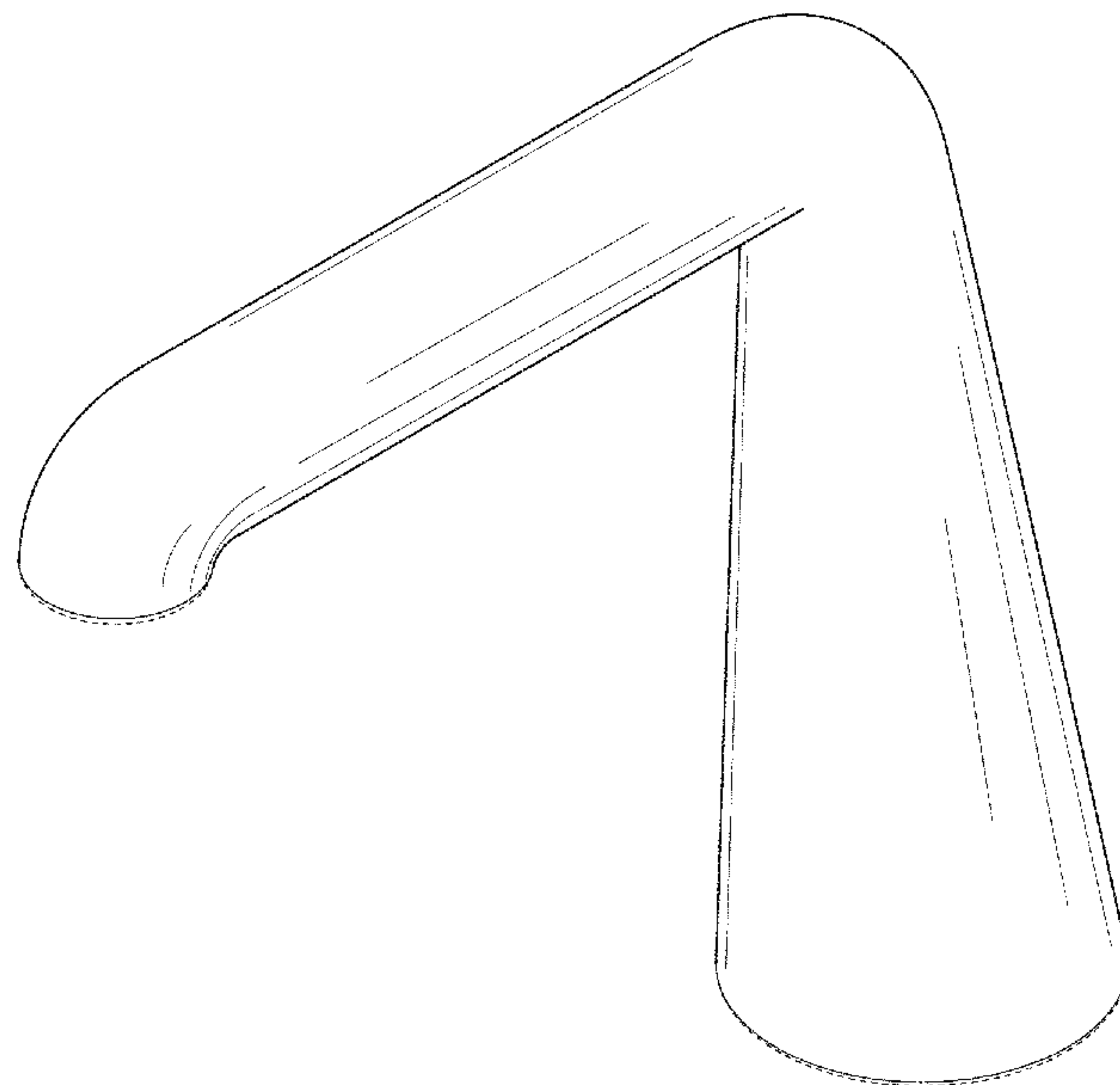
FIG. 13 is a top view of the claimed design of FIG. 8; and,

FIG. 14 is a bottom view of the claimed design of FIG. 8.

The ornamental design which is claimed is shown in solid lines in the drawings.

The broken lines in the drawings are for illustrative purposes only and form no part of the claimed design. For example, broken lines formed by equal length dashes show unclaimed portions of the design. Also, for example, break lines indicate indefinite length.

1 Claim, 10 Drawing Sheets



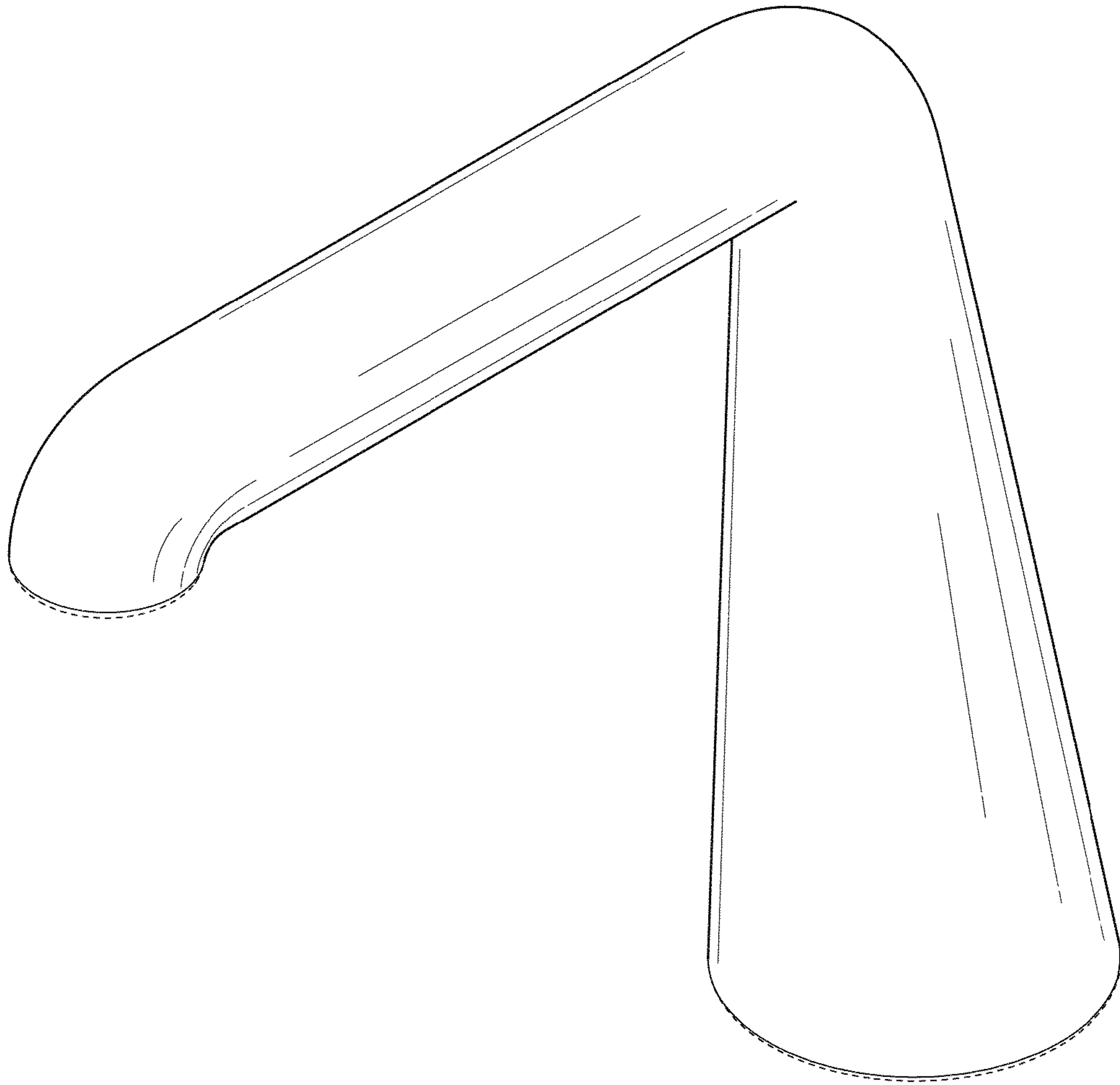


FIG. 1

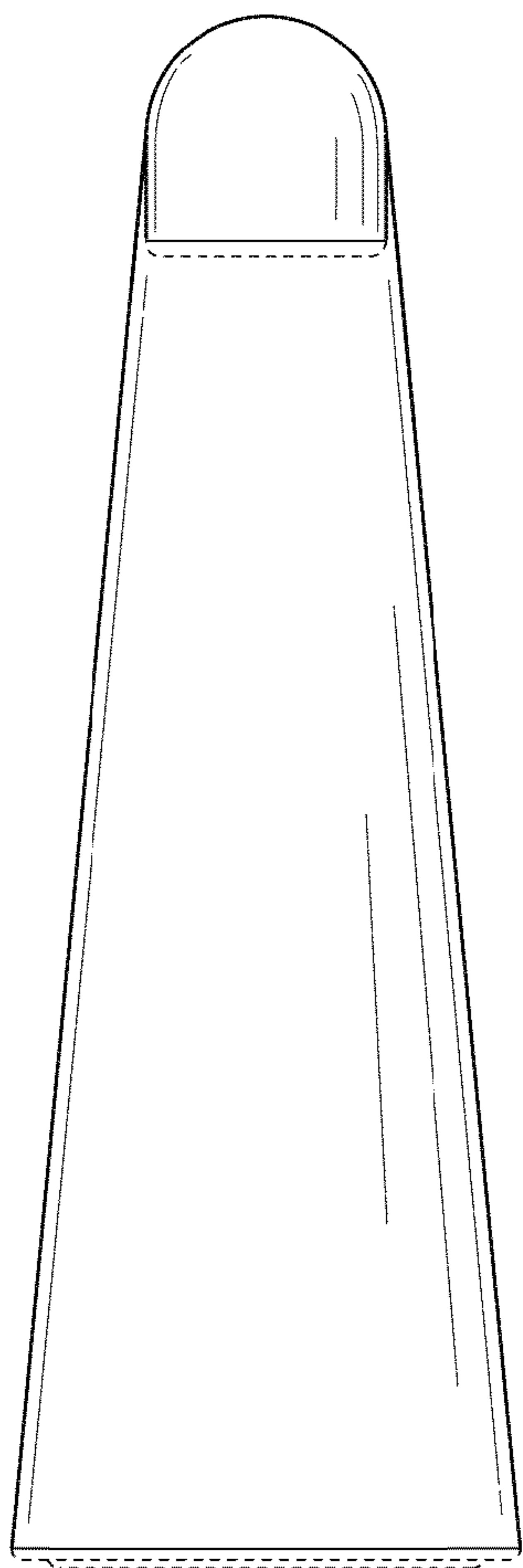


FIG. 2

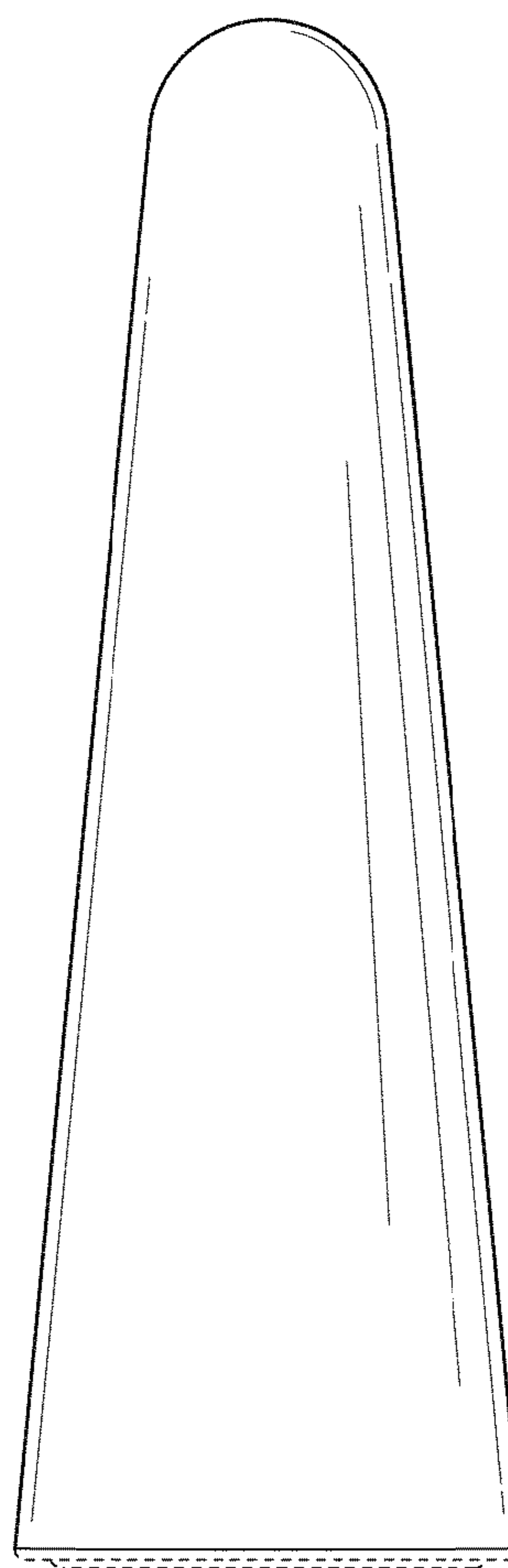


FIG. 3

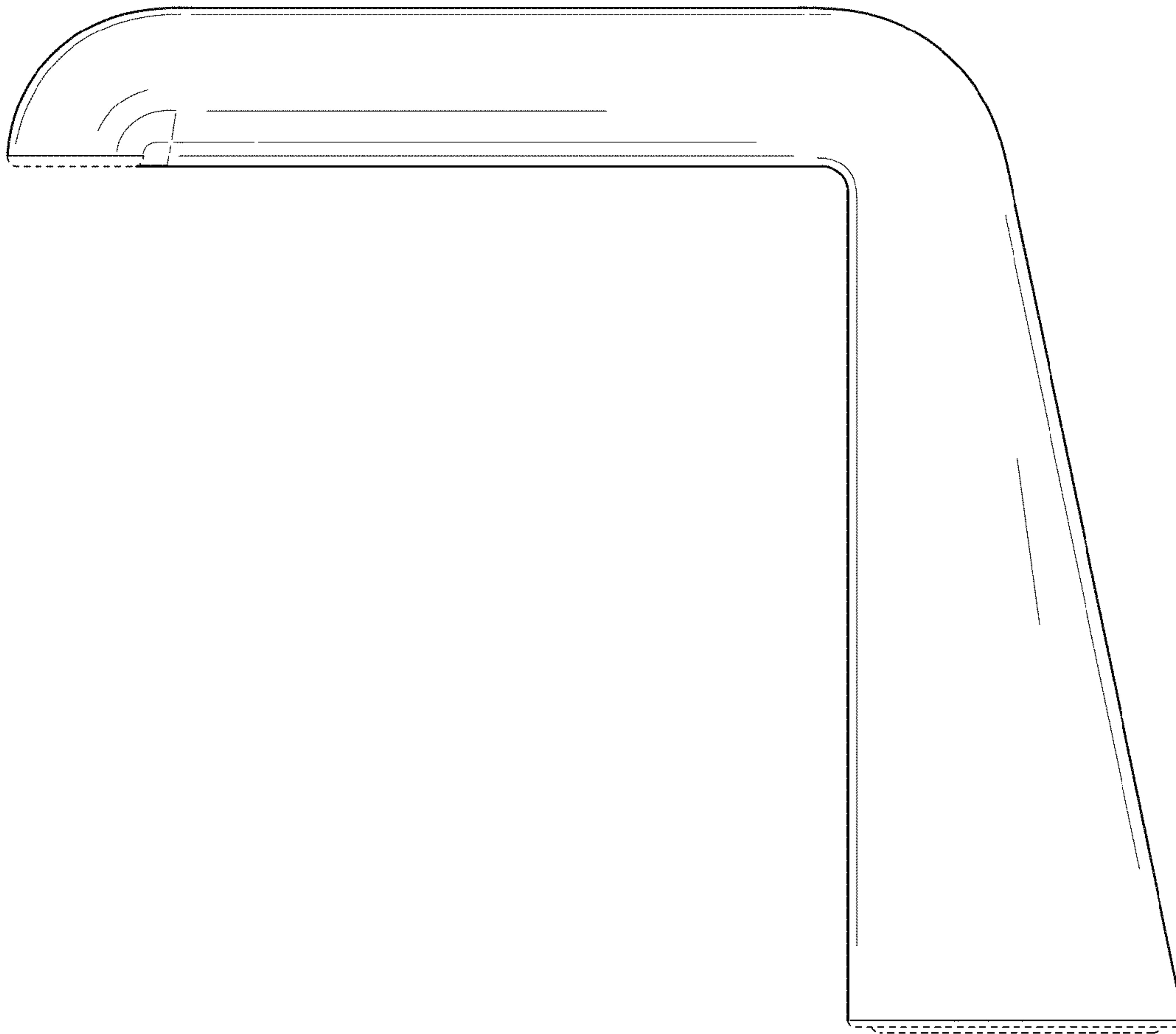


FIG. 4

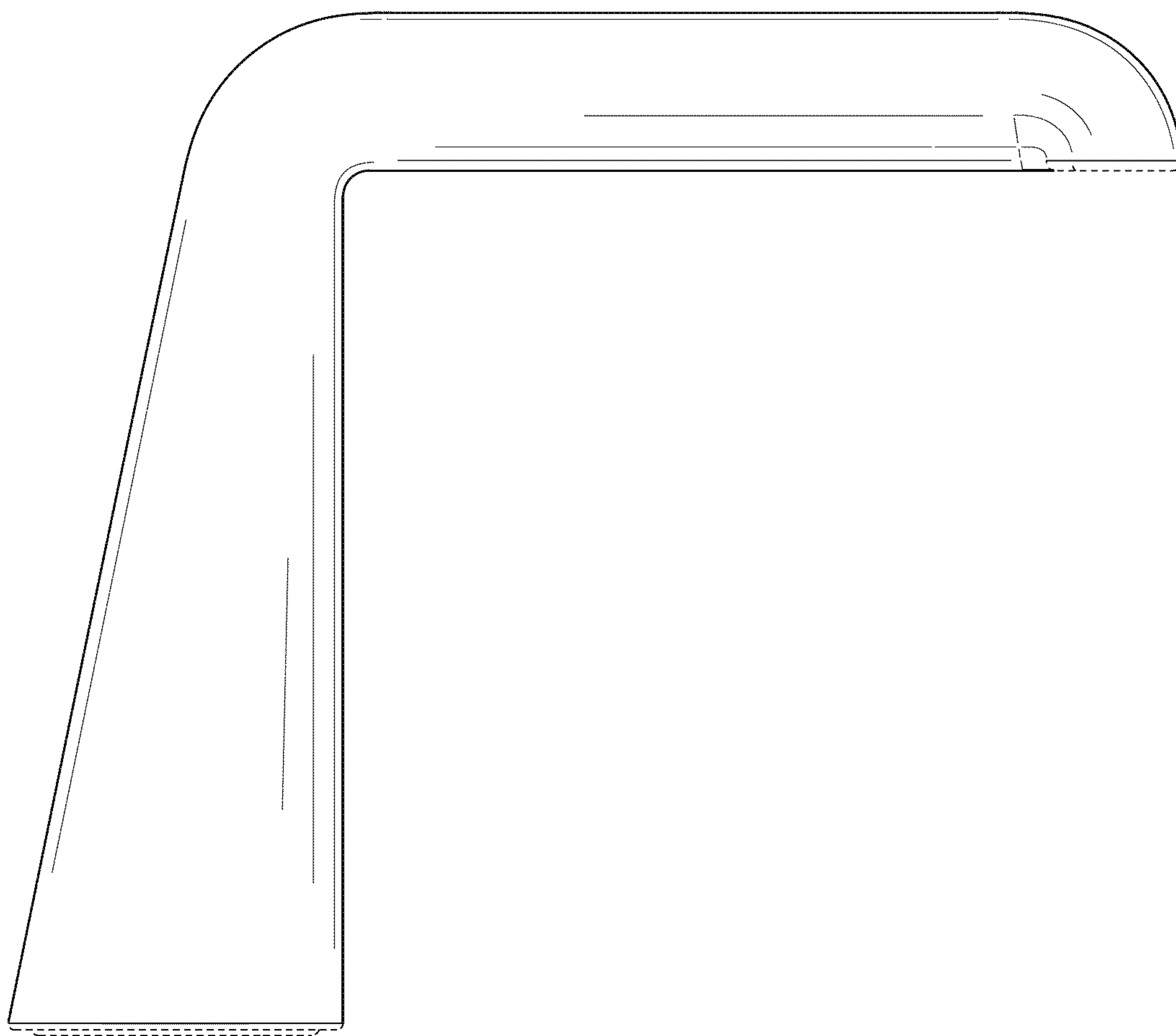


FIG. 5

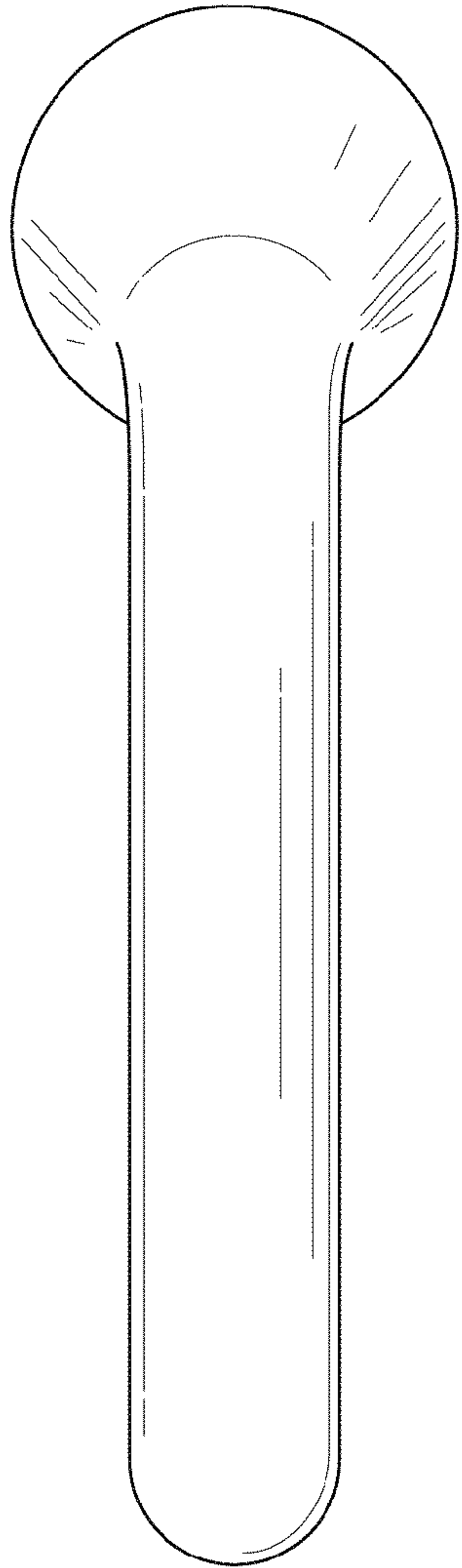


FIG. 6

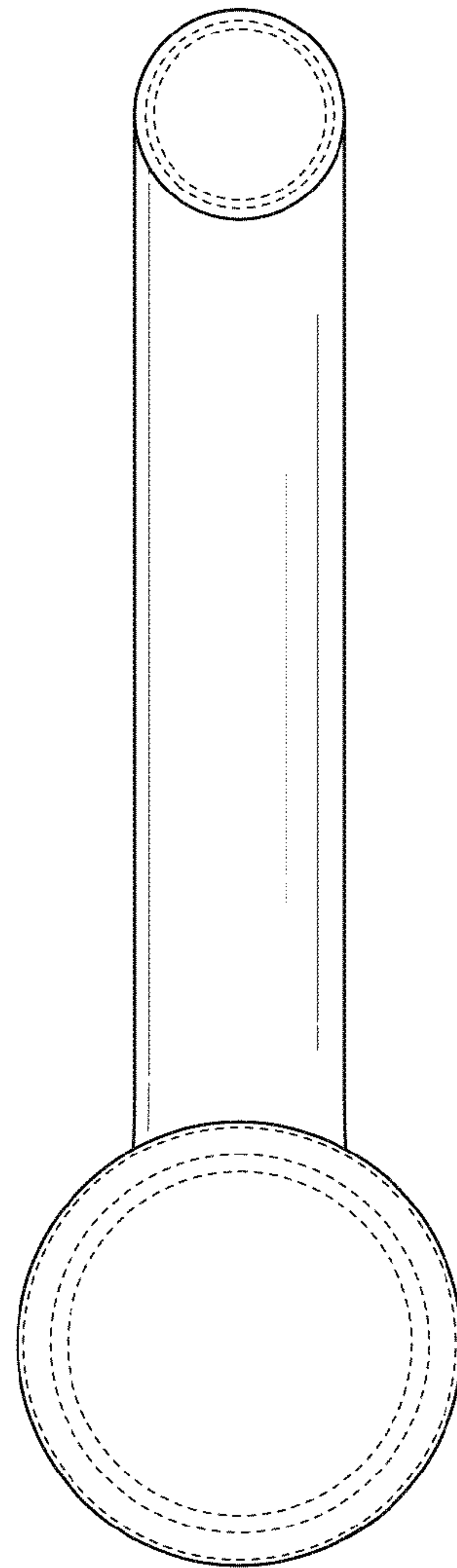


FIG. 7

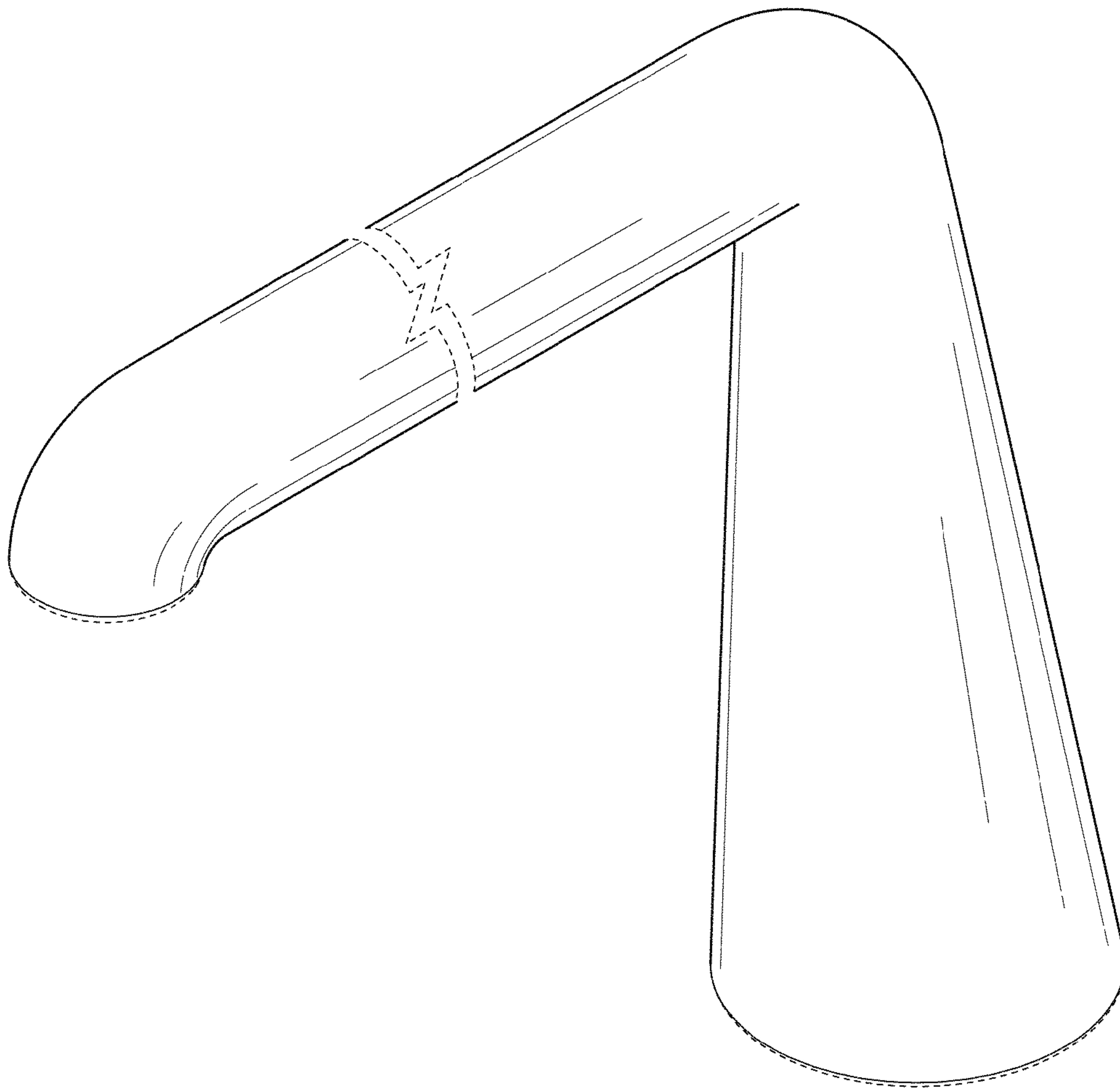


FIG. 8

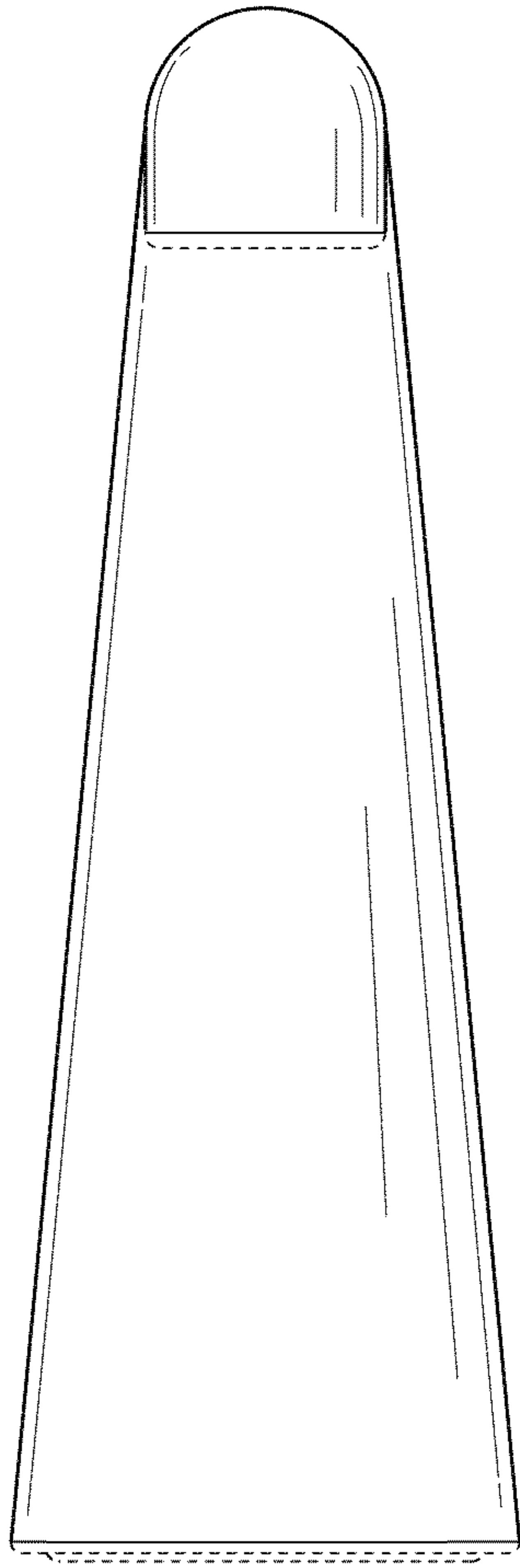


FIG. 9

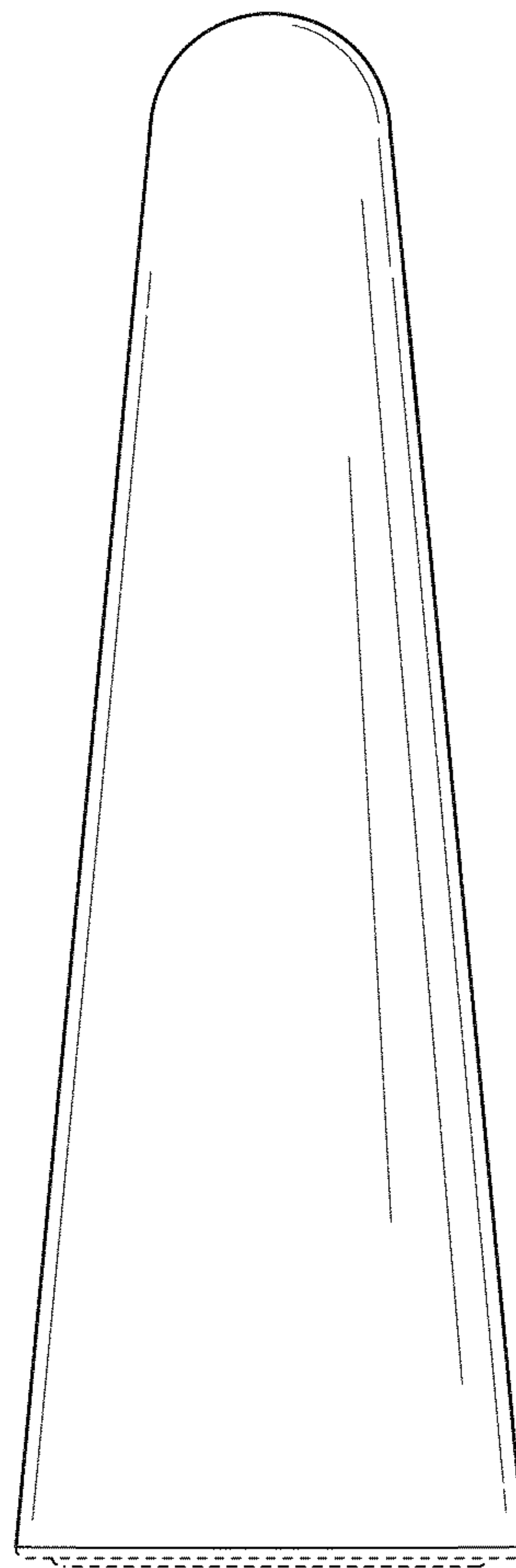


FIG. 10

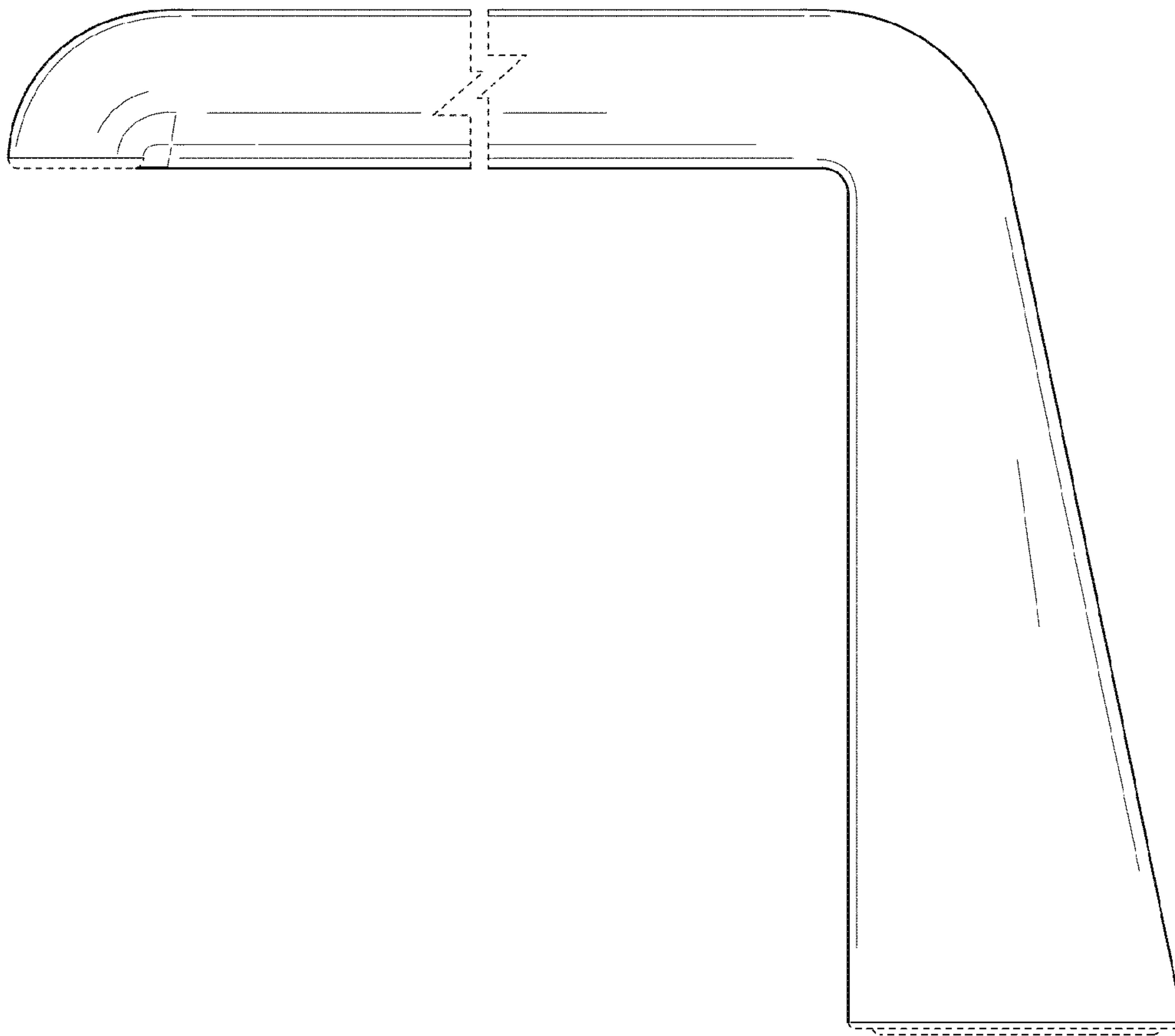


FIG. 11

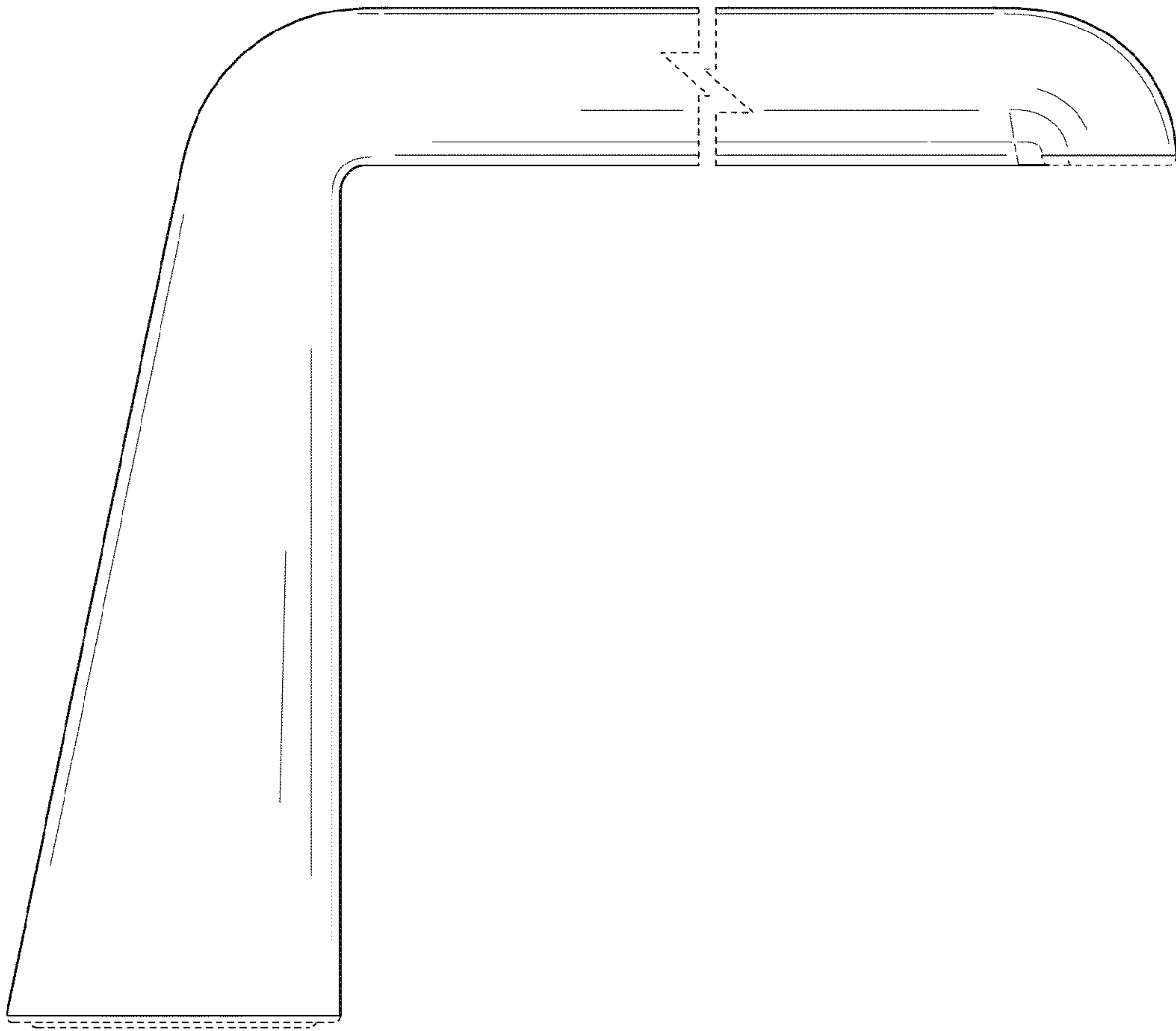


FIG. 12

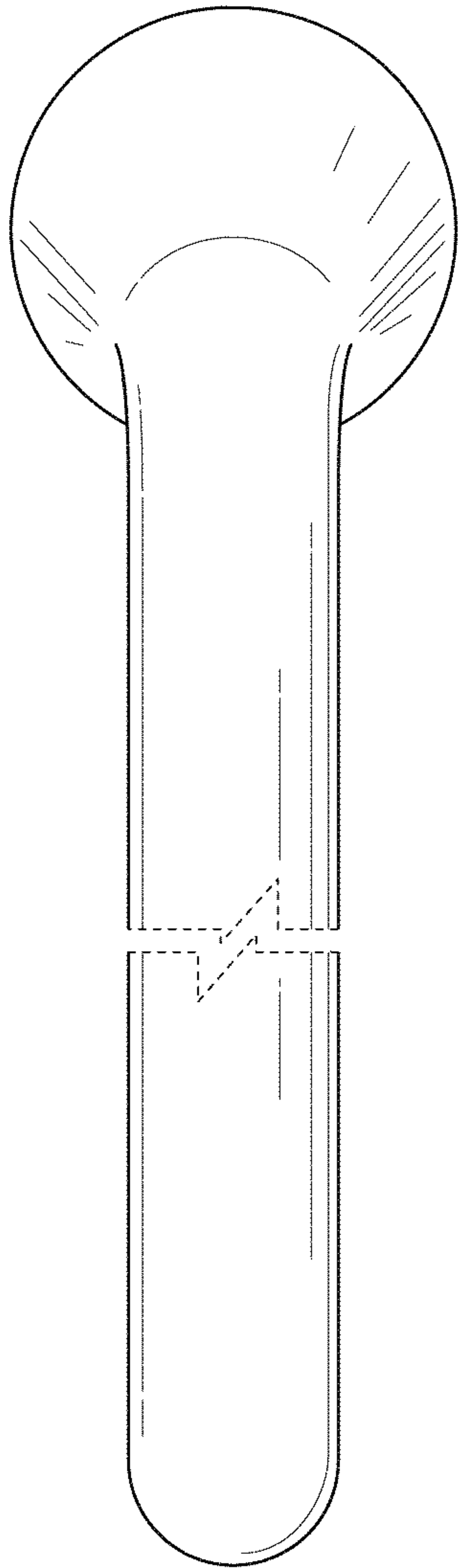


FIG. 13

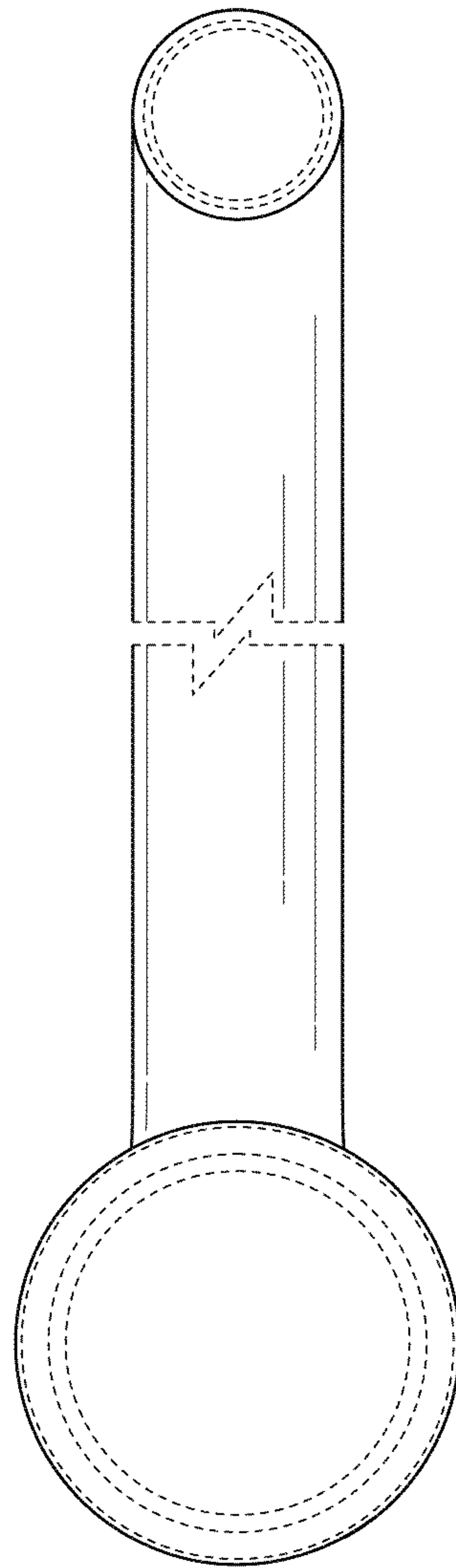


FIG. 14