



US00D755352S

(12) **United States Design Patent**  
**Mitsuoka**

(10) **Patent No.:** **US D755,352 S**

(45) **Date of Patent:** **\*\* May 3, 2016**

(54) **PROTECTIVE CAP FOR ENGINE OIL DRAIN VALVE**

(71) Applicant: **Norio Mitsuoka**, Redmond, WA (US)

(72) Inventor: **Norio Mitsuoka**, Redmond, WA (US)

(\*\*) Term: **14 Years**

(21) Appl. No.: **29/526,371**

(22) Filed: **May 8, 2015**

(51) **LOC (10) Cl.** ..... **23-01**

(52) **U.S. Cl.**  
USPC ..... **D23/249**

(58) **Field of Classification Search**  
USPC ..... D23/233–250, 209; 137/382, 232,  
137/15.18, 233; 251/309, 315.14; D7/900,  
D7/511, 538, 543, 546; D9/435, 443, 452,  
D9/453, 434, 436, 440, 445, 447, 454,  
D9/456; 215/236

CPC ..... F16K 27/12; F16K 15/20  
See application file for complete search history.

(56) **References Cited**

**U.S. PATENT DOCUMENTS**

D339,524 S \* 9/1993 Morris, Sr. .... D9/435  
D631,945 S \* 2/2011 Shorey ..... D23/233  
D651,082 S \* 12/2011 Dunwoody ..... D9/435

D656,818 S \* 4/2012 Dunwoody ..... D9/435  
D676,930 S \* 2/2013 Koledin ..... D23/249  
D692,534 S \* 10/2013 Fangmeier ..... D23/233  
D694,109 S \* 11/2013 Tanner ..... D9/447  
D739,499 S \* 9/2015 Shorey ..... D23/248  
2013/0313218 A1\* 11/2013 Cox ..... B65D 41/0485  
215/246  
2015/0027976 A1\* 1/2015 de St. Jeor ..... B65D 41/3423  
215/316

\* cited by examiner

*Primary Examiner* — Cynthia Ramirez

*Assistant Examiner* — Gino Colan

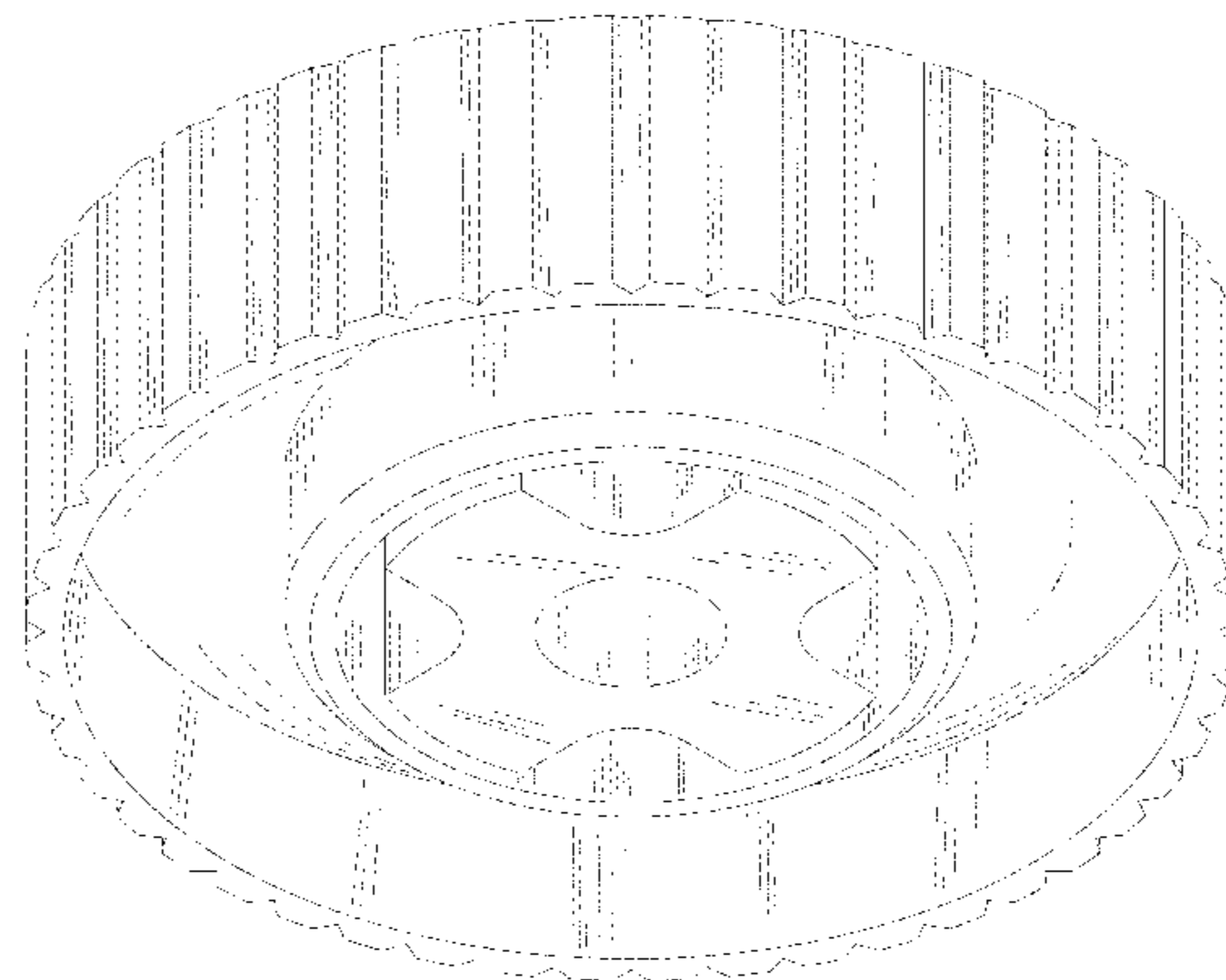
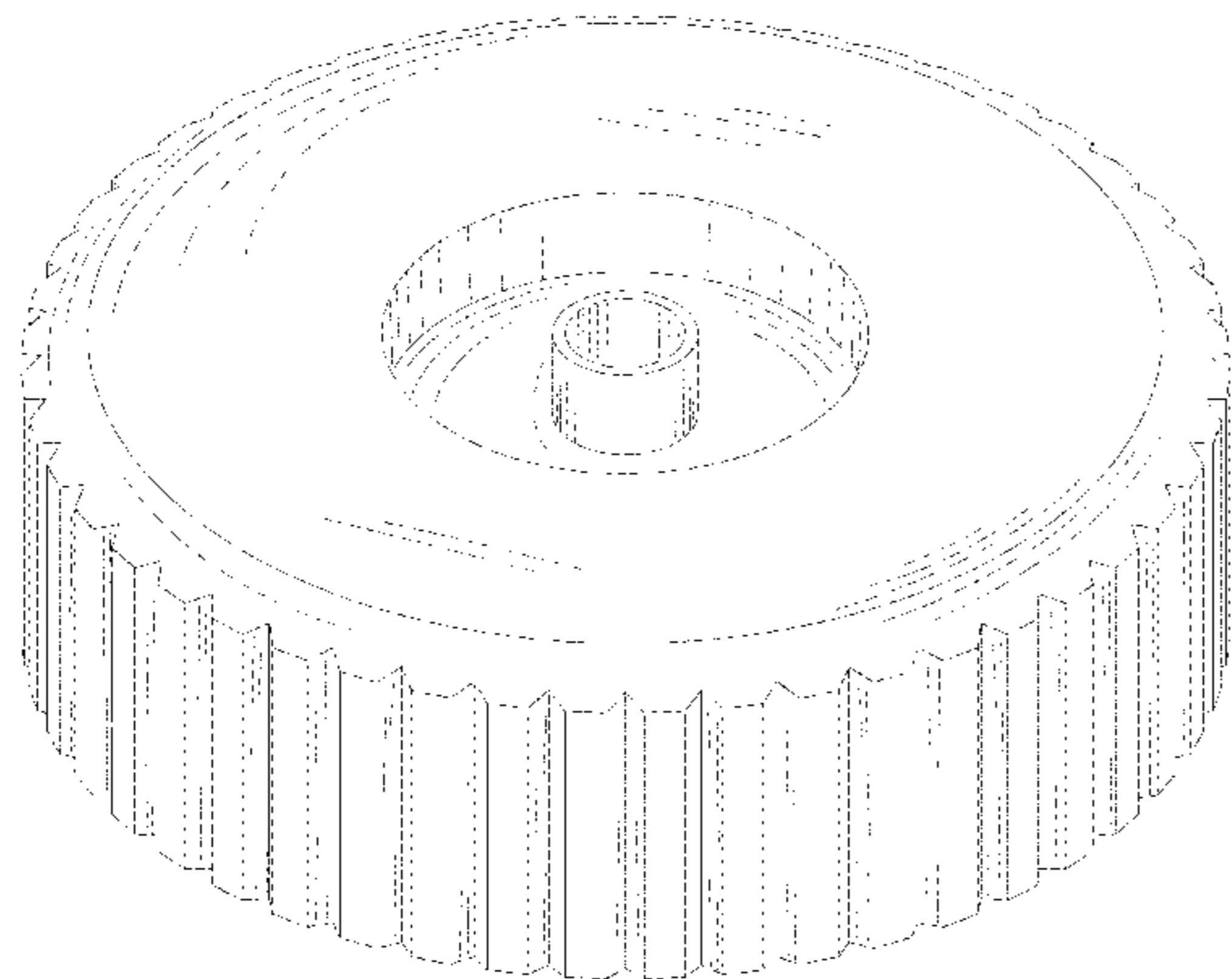
(57) **CLAIM**

The ornamental design for a protective cap for an engine oil drain valve, as shown and described.

**DESCRIPTION**

FIG. 1 is a top perspective view of a protective cap for an engine oil drain valve;  
FIG. 2 is a bottom perspective view thereof;  
FIG. 3 is a top plan view thereof;  
FIG. 4 is a bottom plan view thereof;  
FIG. 5 is an elevated right-side view thereof;  
FIG. 6 is an elevated left-side view thereof;  
FIG. 7 is an elevated front-side view thereof; and,  
FIG. 8 is an elevated rear-side view thereof.

**1 Claim, 8 Drawing Sheets**



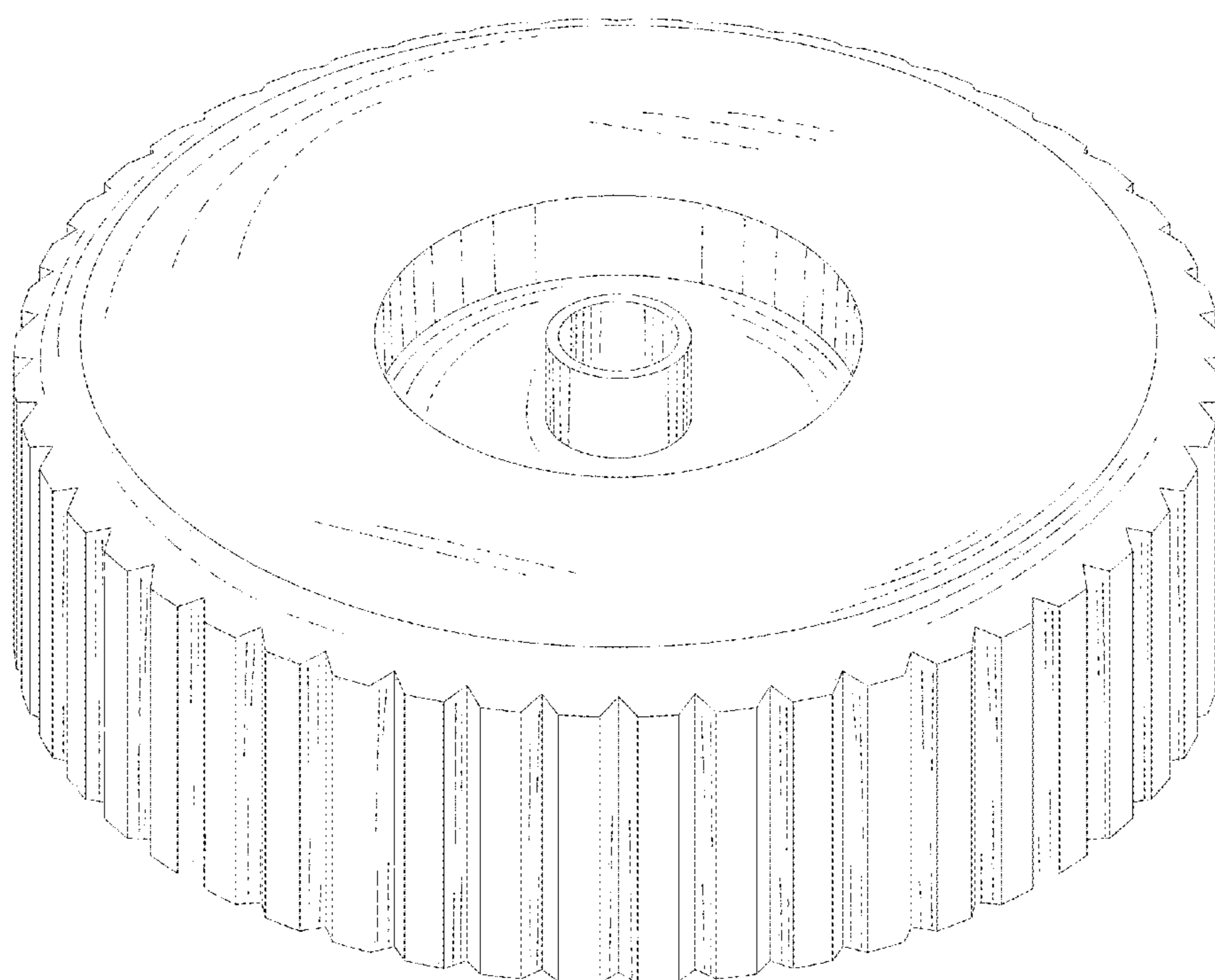


FIG. 1

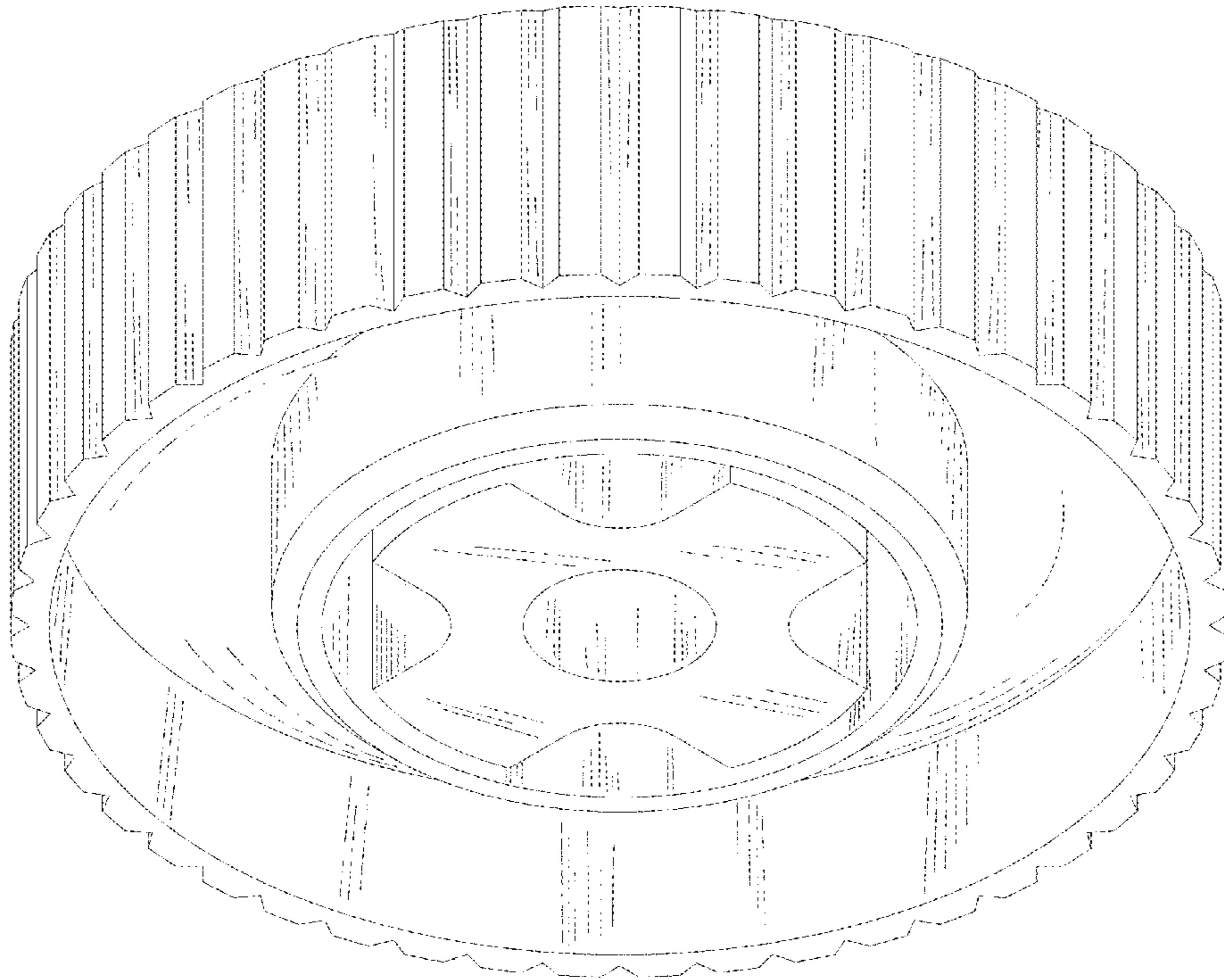


FIG. 2

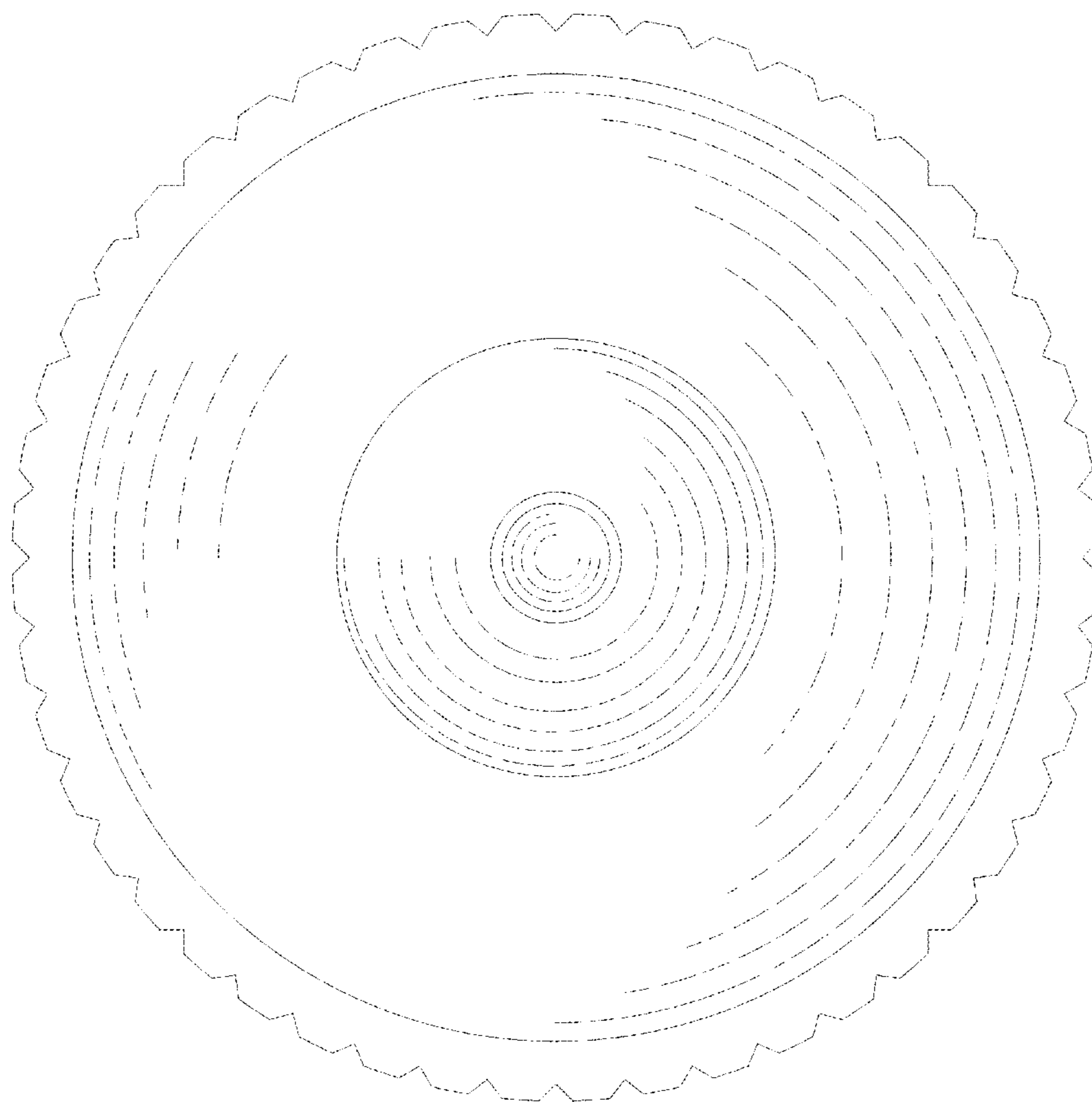


FIG. 3

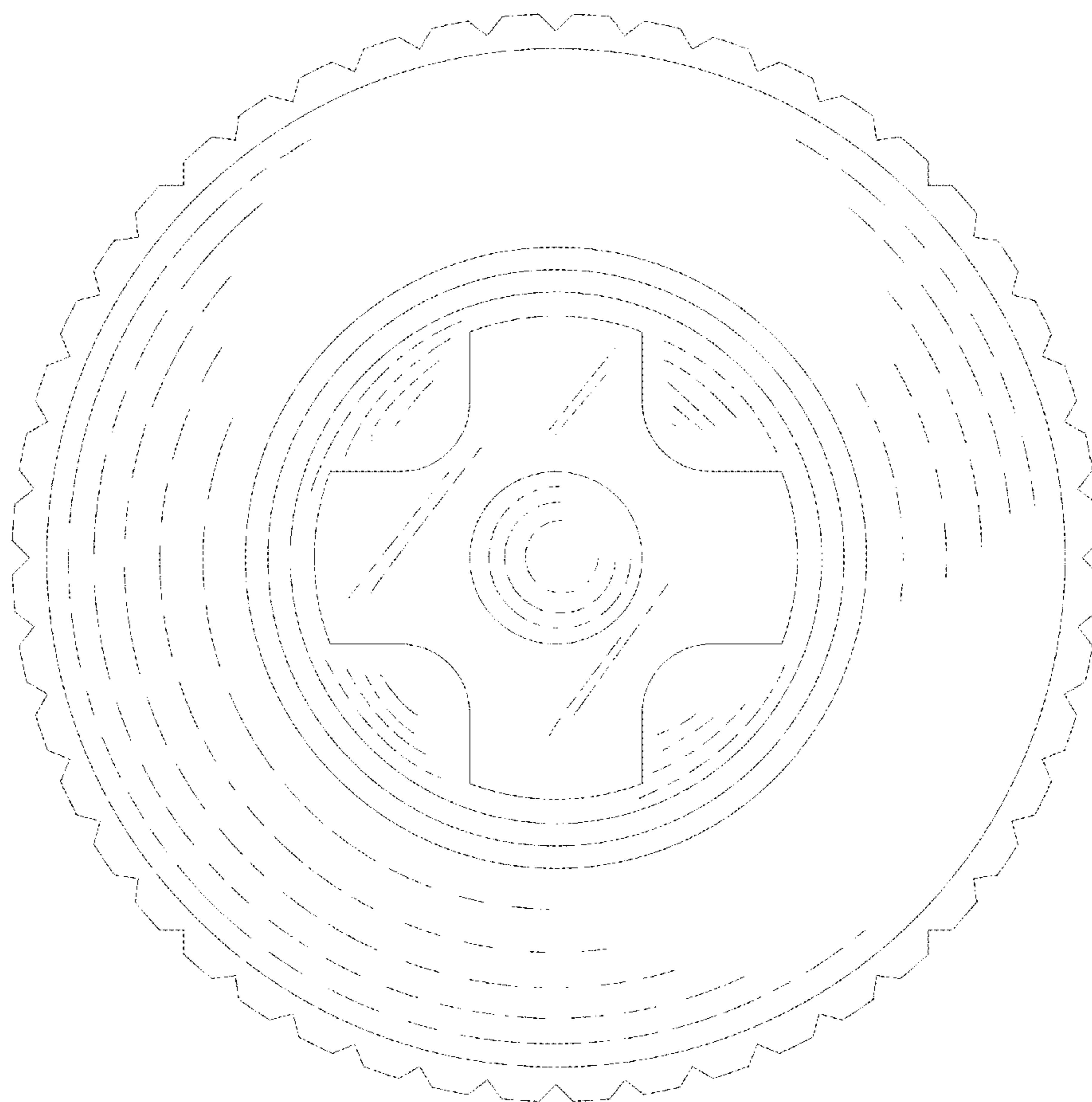


FIG. 4

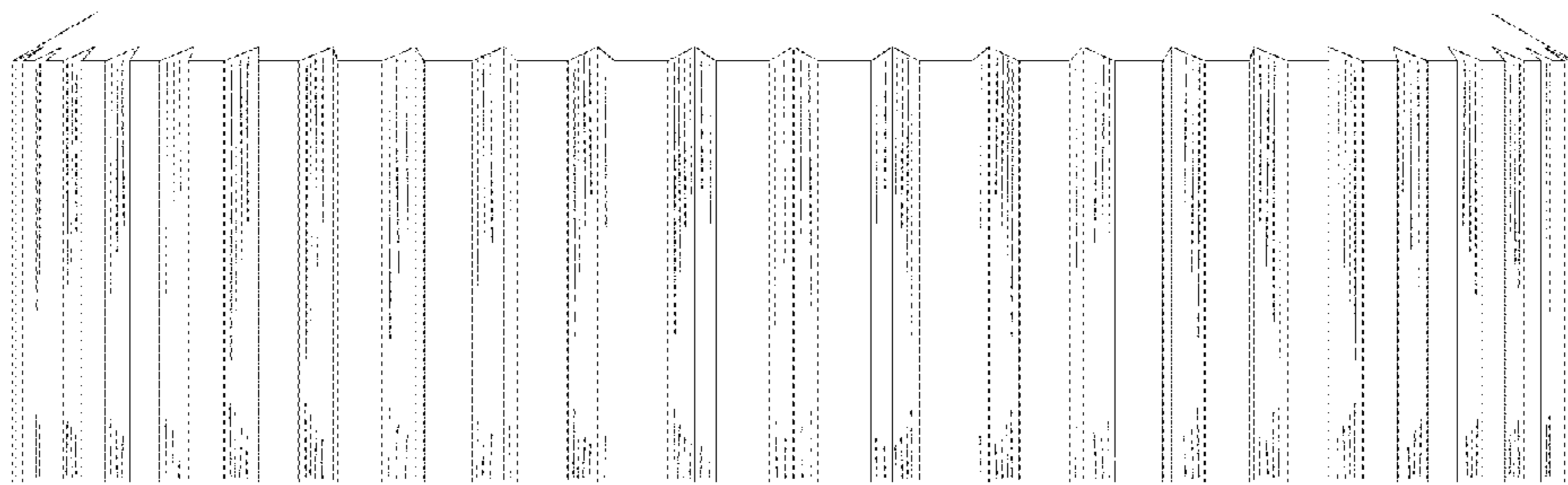


FIG. 5

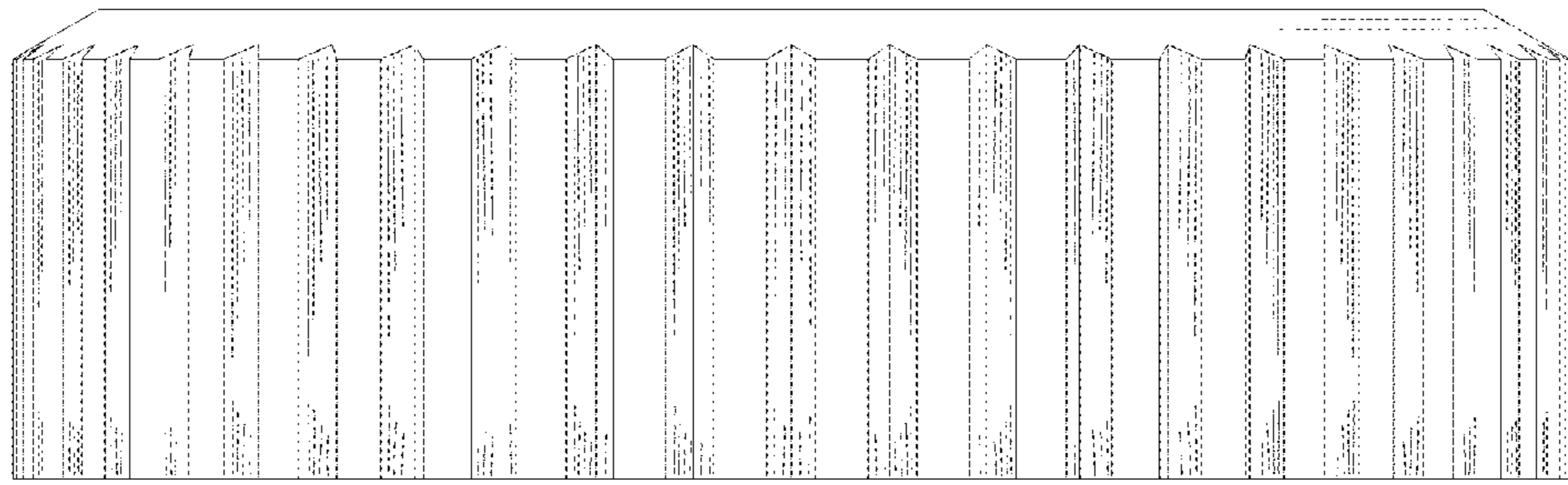


FIG. 6

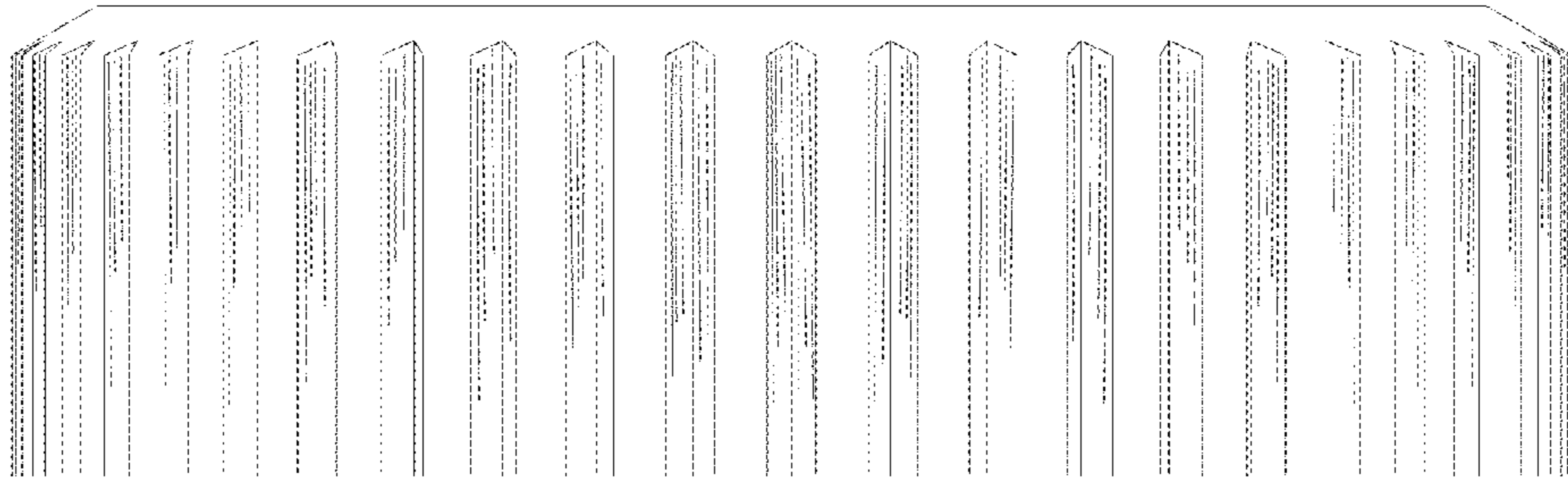


FIG. 7



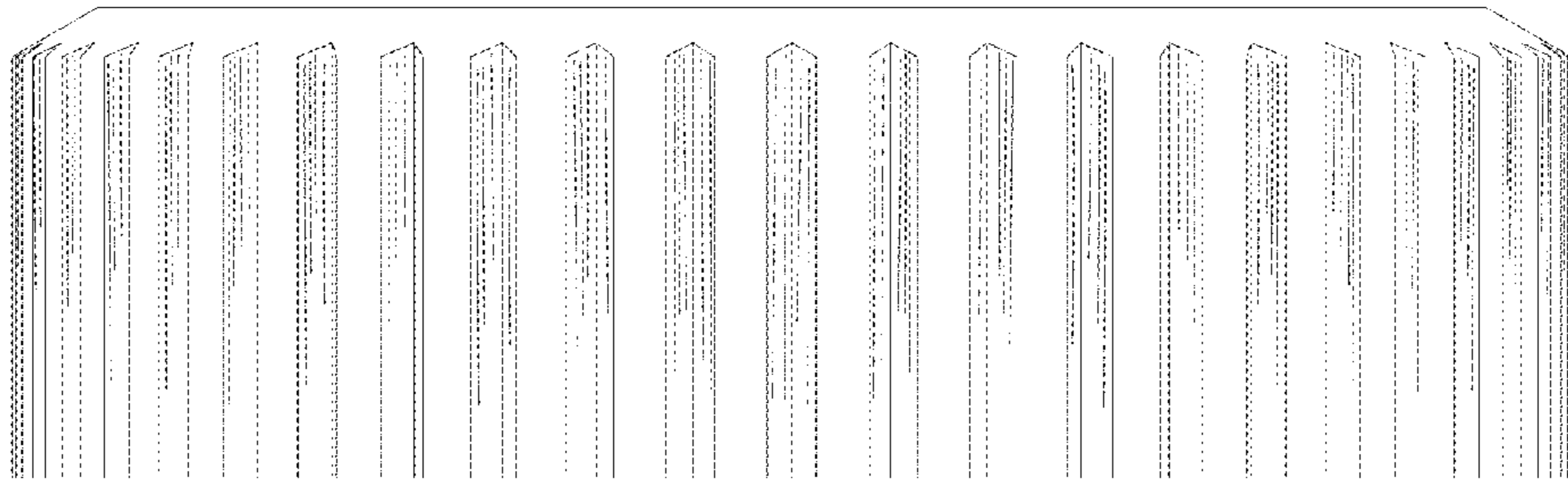


FIG. 8