



US00D755351S

(12) **United States Design Patent**
Parker

(10) **Patent No.:** **US D755,351 S**

(45) **Date of Patent:** **** May 3, 2016**

(54) **VALVE LOCK**

(71) Applicant: **Rufus A. Parker**, West Blocton, AL
(US)

(72) Inventor: **Rufus A. Parker**, West Blocton, AL
(US)

(**) Term: **15 Years**

(21) Appl. No.: **29/505,118**

(22) Filed: **Jun. 5, 2015**

(51) **LOC (10) Cl.** **23-01**

(52) **U.S. Cl.**
USPC **D23/249**

(58) **Field of Classification Search**
USPC D23/233-250; 137/383, 382, 384.2,
137/377, 384.8, 385; 70/175, 176, 177,
70/178, 179, 180, 242-244, 266, 232, 275,
70/203, 443, 444; D8/330, 331, 343;
251/98, 99, 292, 293, 300, 304
CPC F16K 35/10; F16K 35/022; F16K 31/0658
See application file for complete search history.

(56) **References Cited**

U.S. PATENT DOCUMENTS

D283,246 S * 4/1986 Jack D23/249
5,092,359 A * 3/1992 Wirth E21B 34/02
137/382

D348,306 S * 6/1994 Parker D23/249
D358,455 S * 5/1995 Kieper D23/249
D486,719 S * 2/2004 Erickson D8/330
D630,300 S * 1/2011 Parker D23/249
2003/0024284 A1* 2/2003 Erickson F16K 35/06
70/177
2006/0070662 A1* 4/2006 Gremillion, III F16K 27/12
137/382
2014/0116536 A1* 5/2014 Resendiz F16K 35/10
137/377

* cited by examiner

Primary Examiner — Cynthia Ramirez

Assistant Examiner — Gino Colan

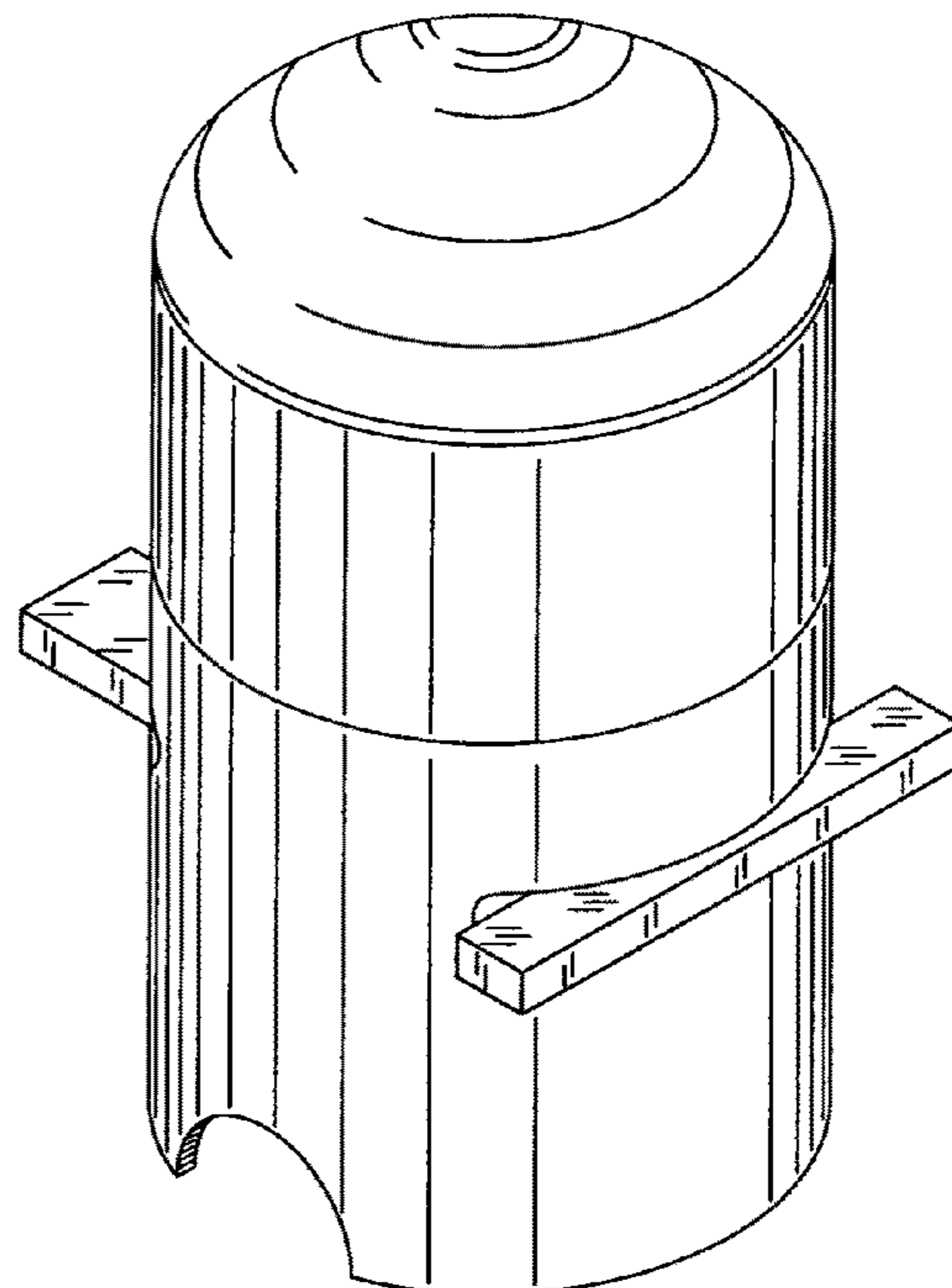
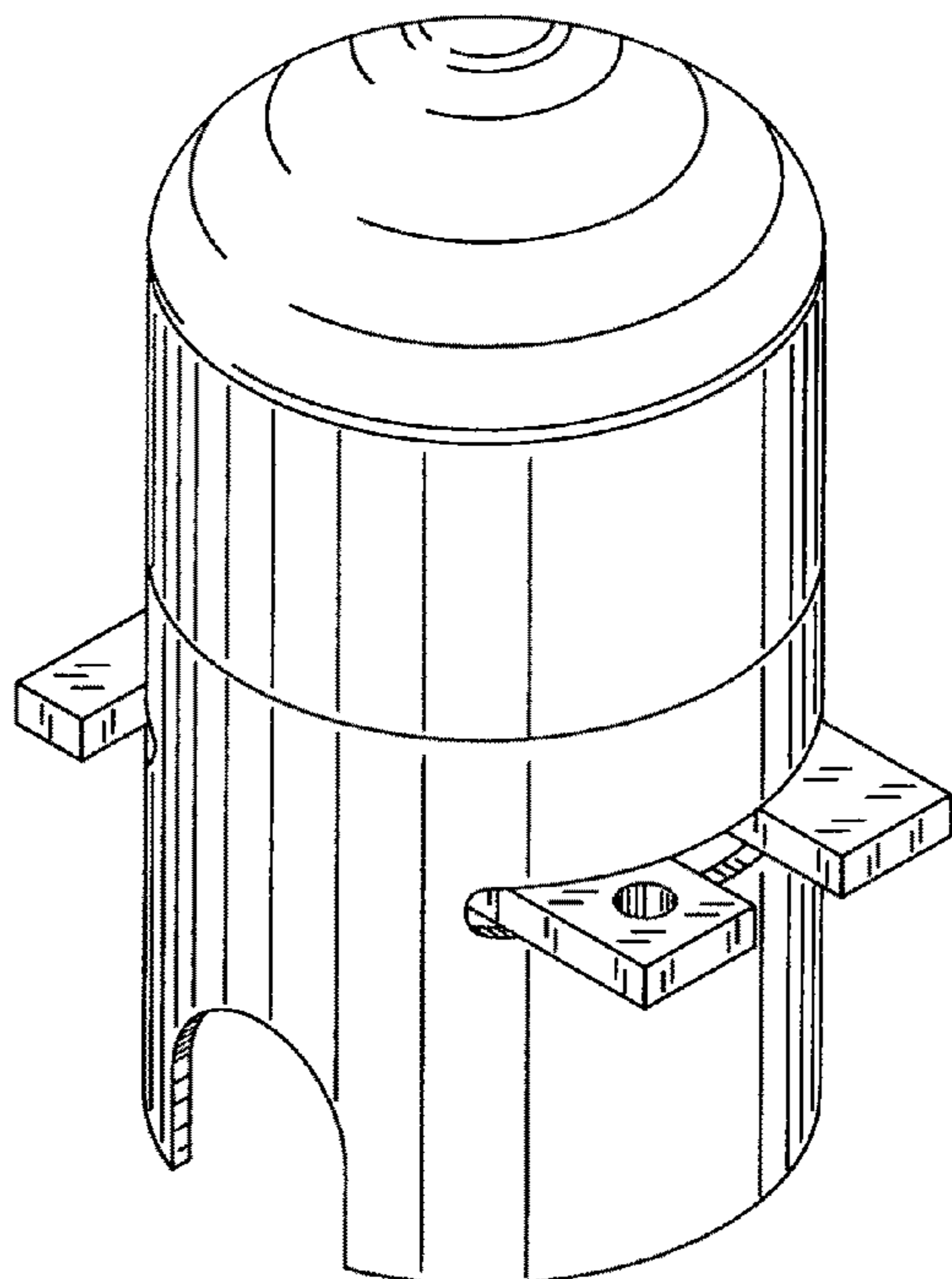
(57) **CLAIM**

The ornamental design for a valve lock, as shown.

DESCRIPTION

FIG. 1 is a front perspective view of a valve lock showing my new design;
FIG. 2 is a rear perspective view thereof;
FIG. 3 is a front elevational view thereof;
FIG. 4 is a rear elevational view thereof;
FIG. 5 is a left side elevational view thereof;
FIG. 6 is a right side elevational view thereof;
FIG. 7 is a top plan view thereof; and,
FIG. 8 is a bottom plan view thereof.

1 Claim, 2 Drawing Sheets



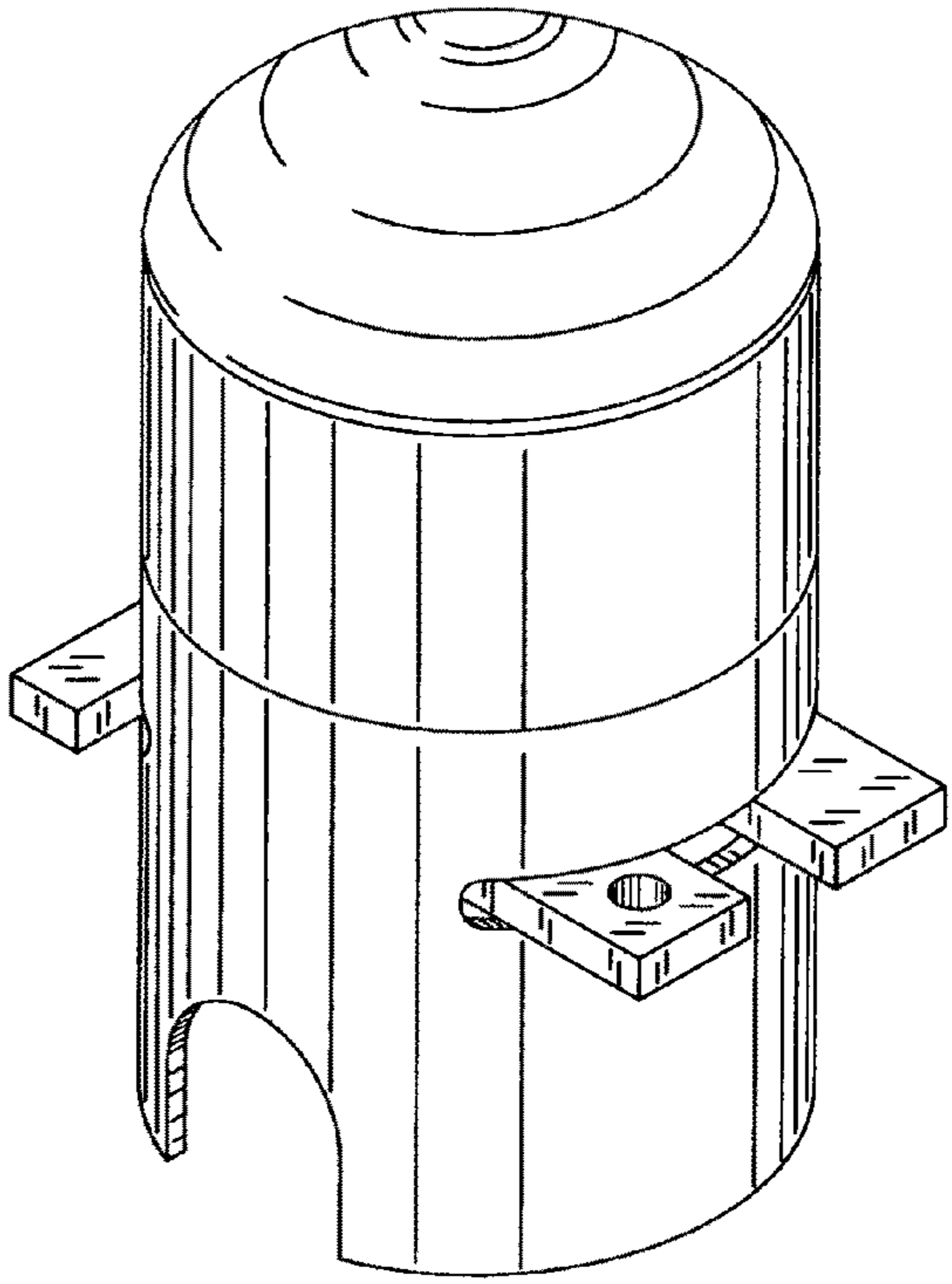


FIG. 1

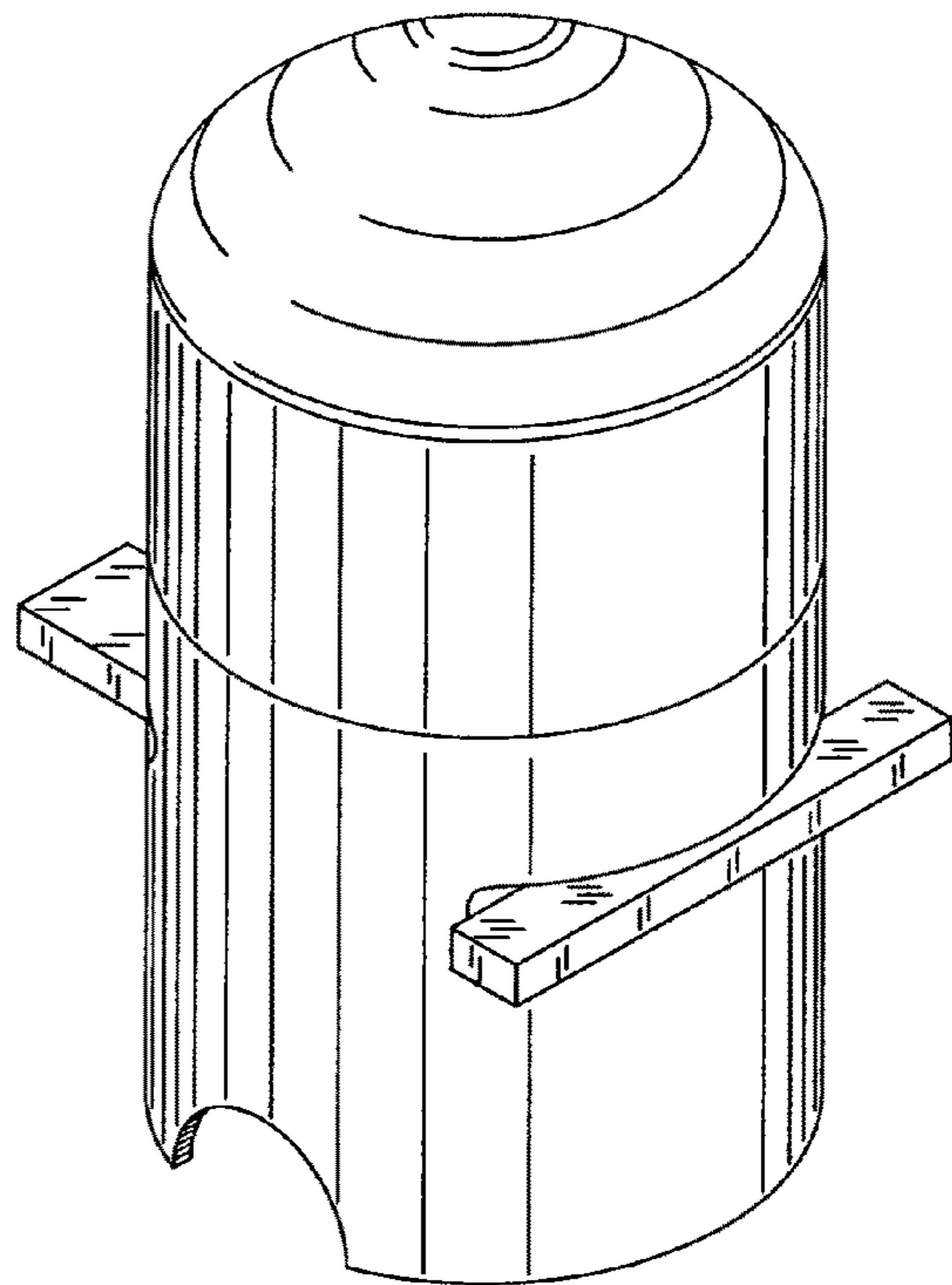


FIG. 2

FIG. 3

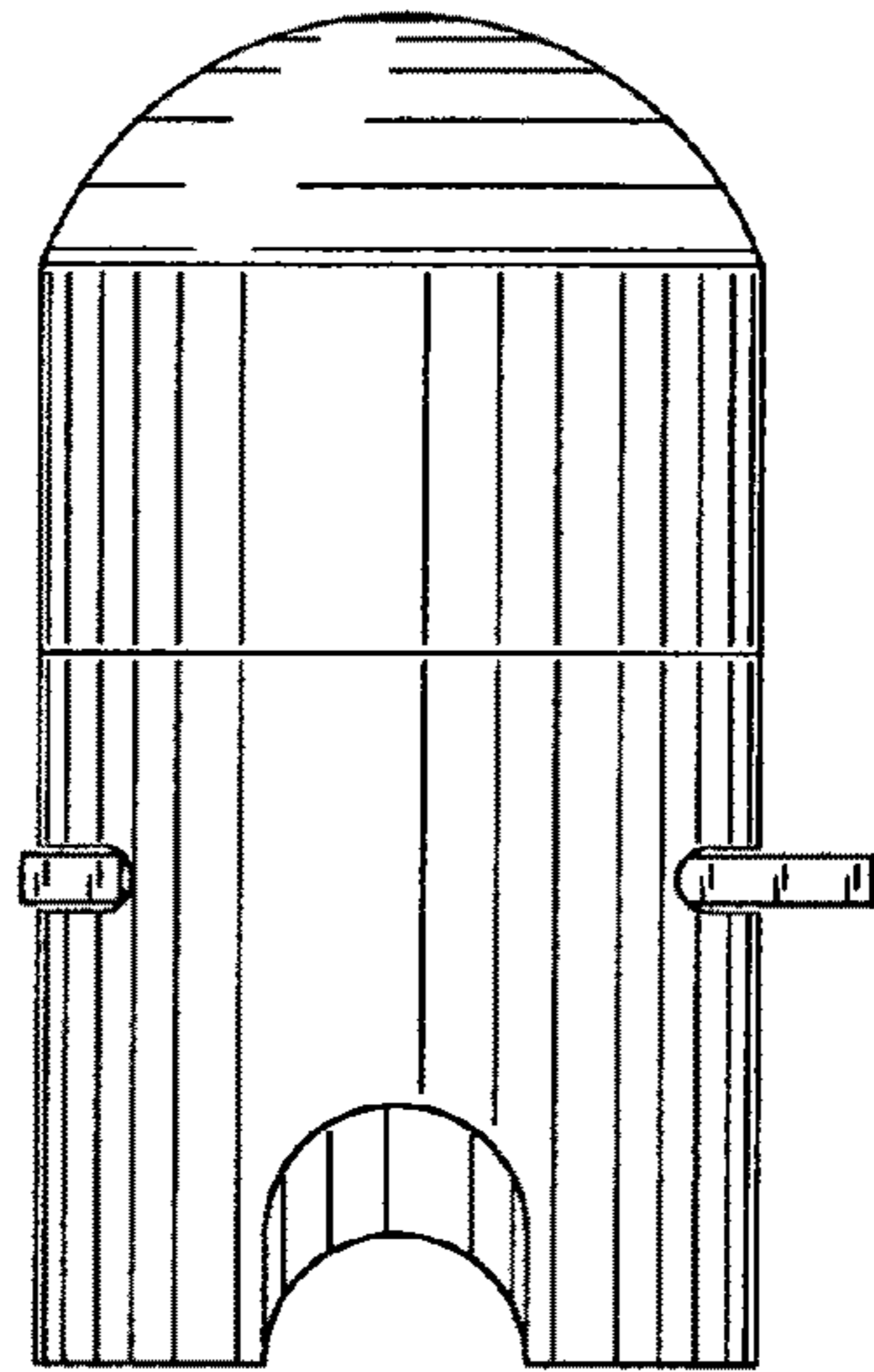


FIG. 4

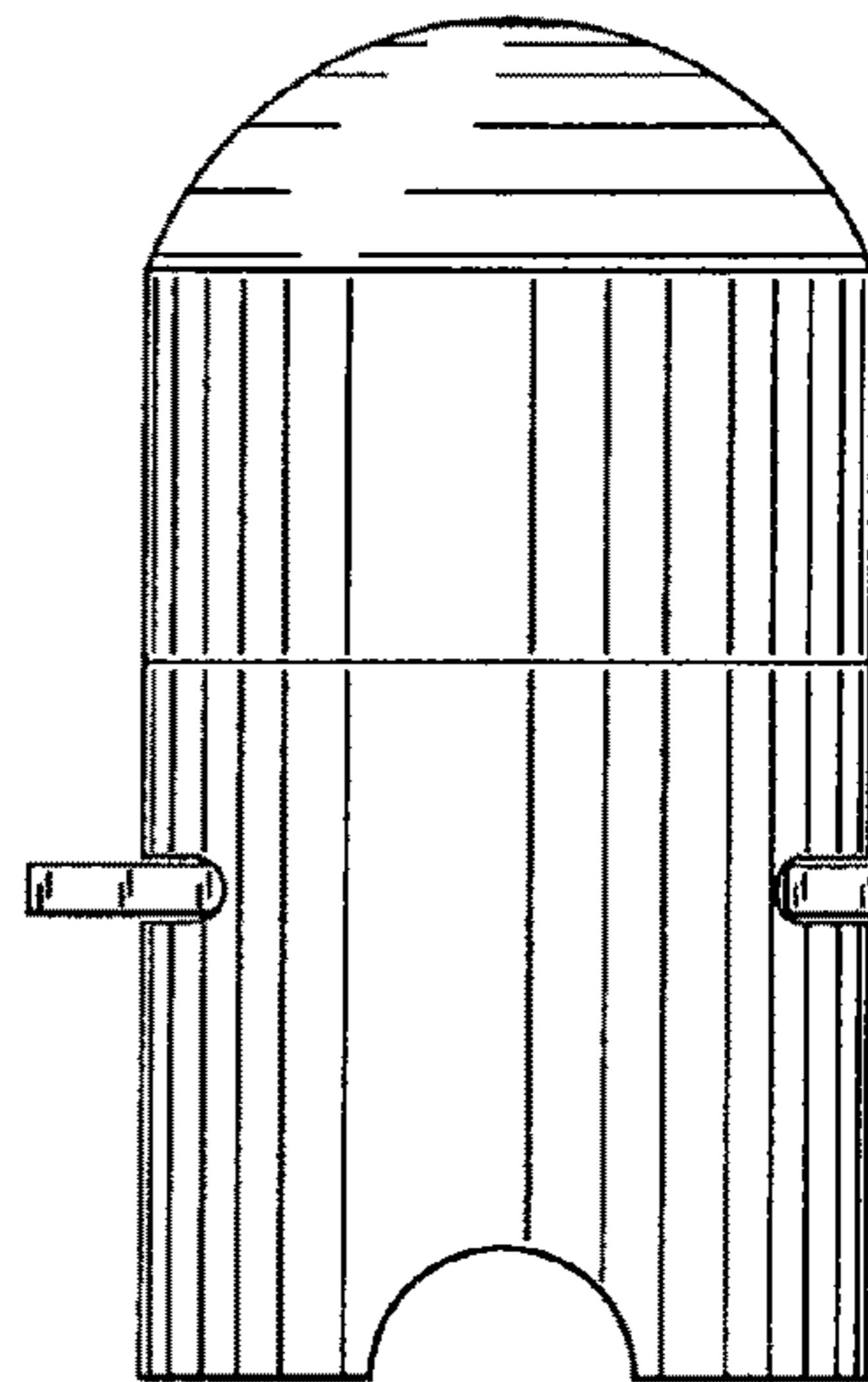


FIG. 5

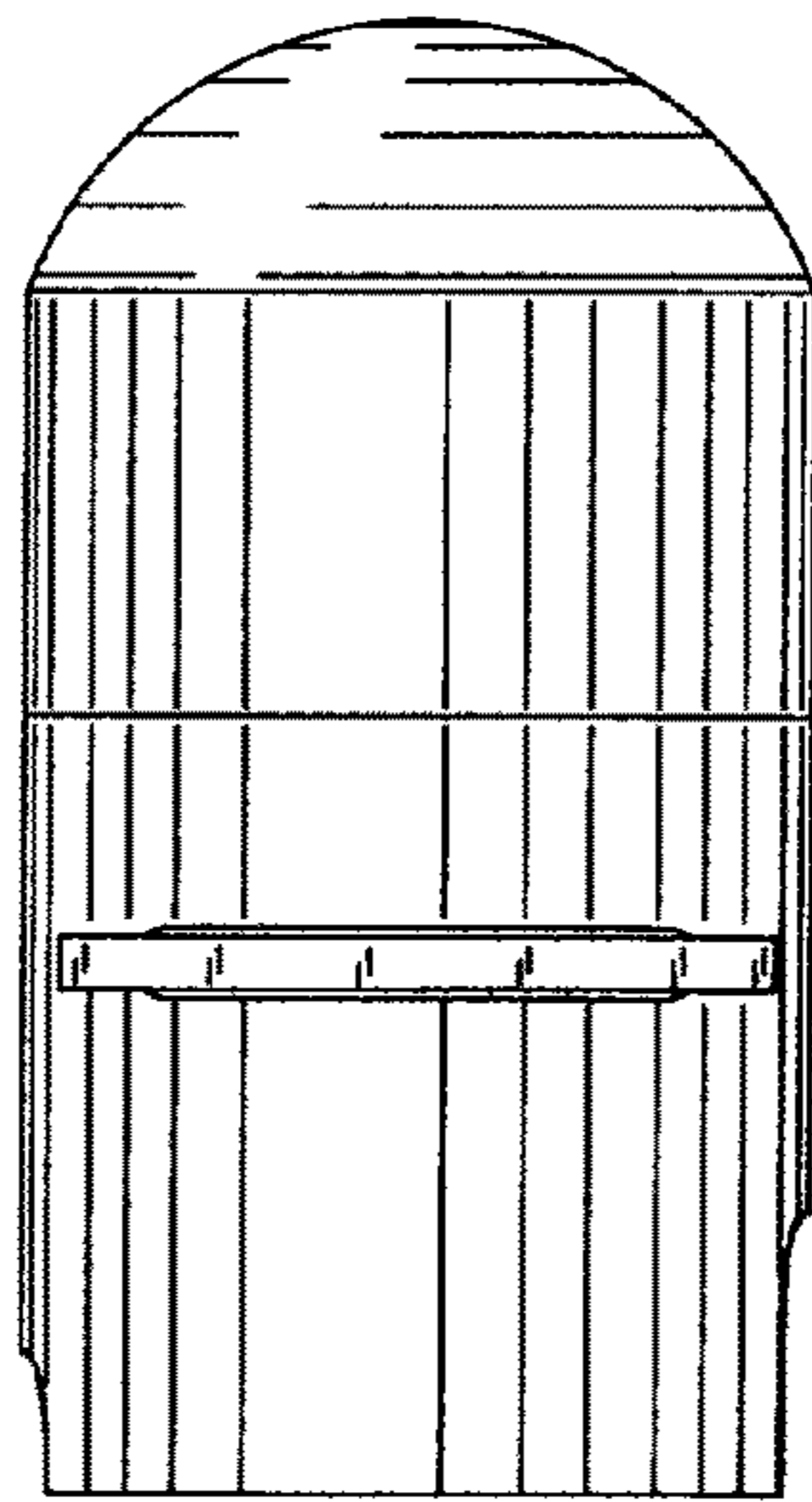


FIG. 6

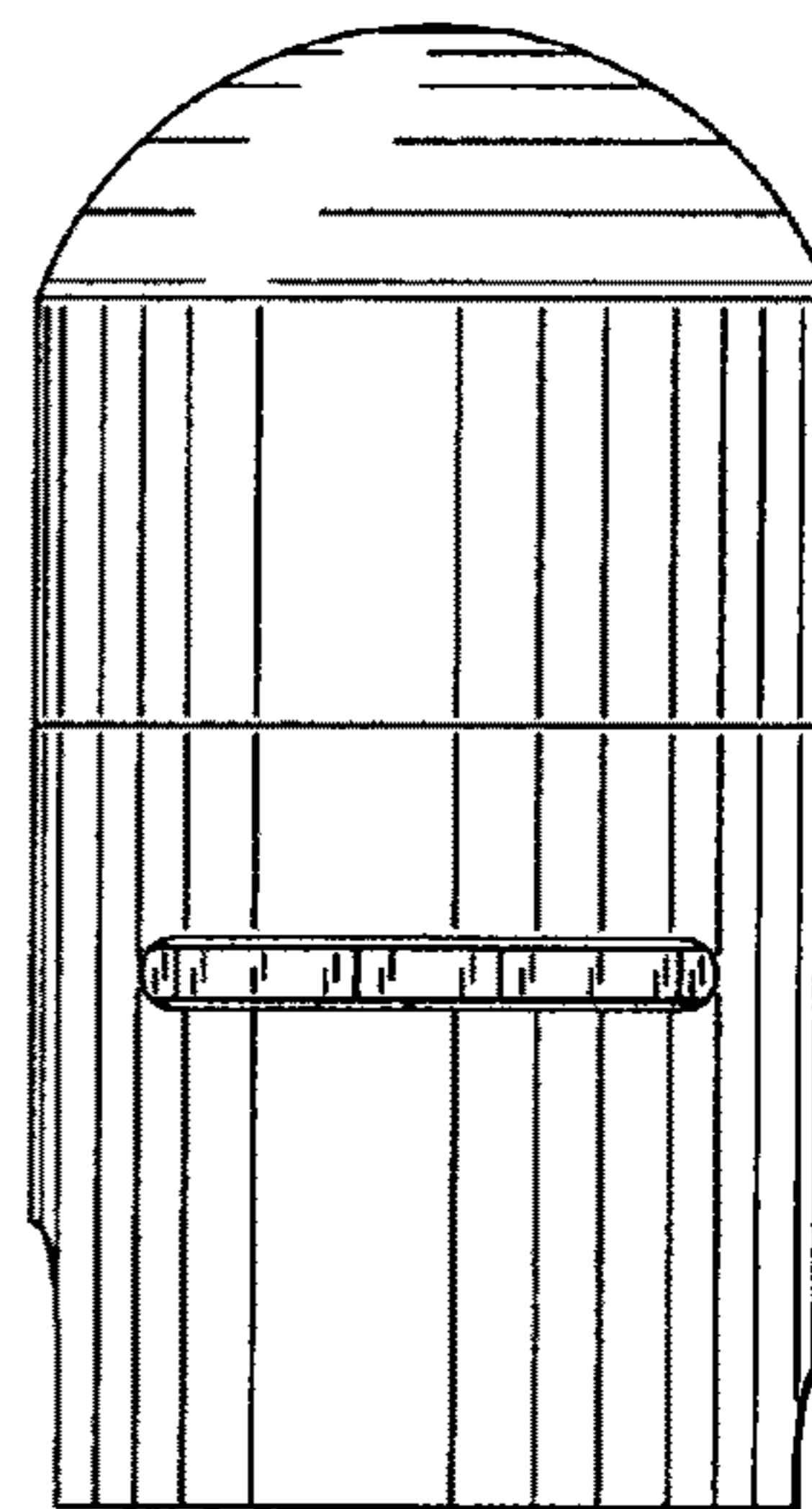


FIG. 8

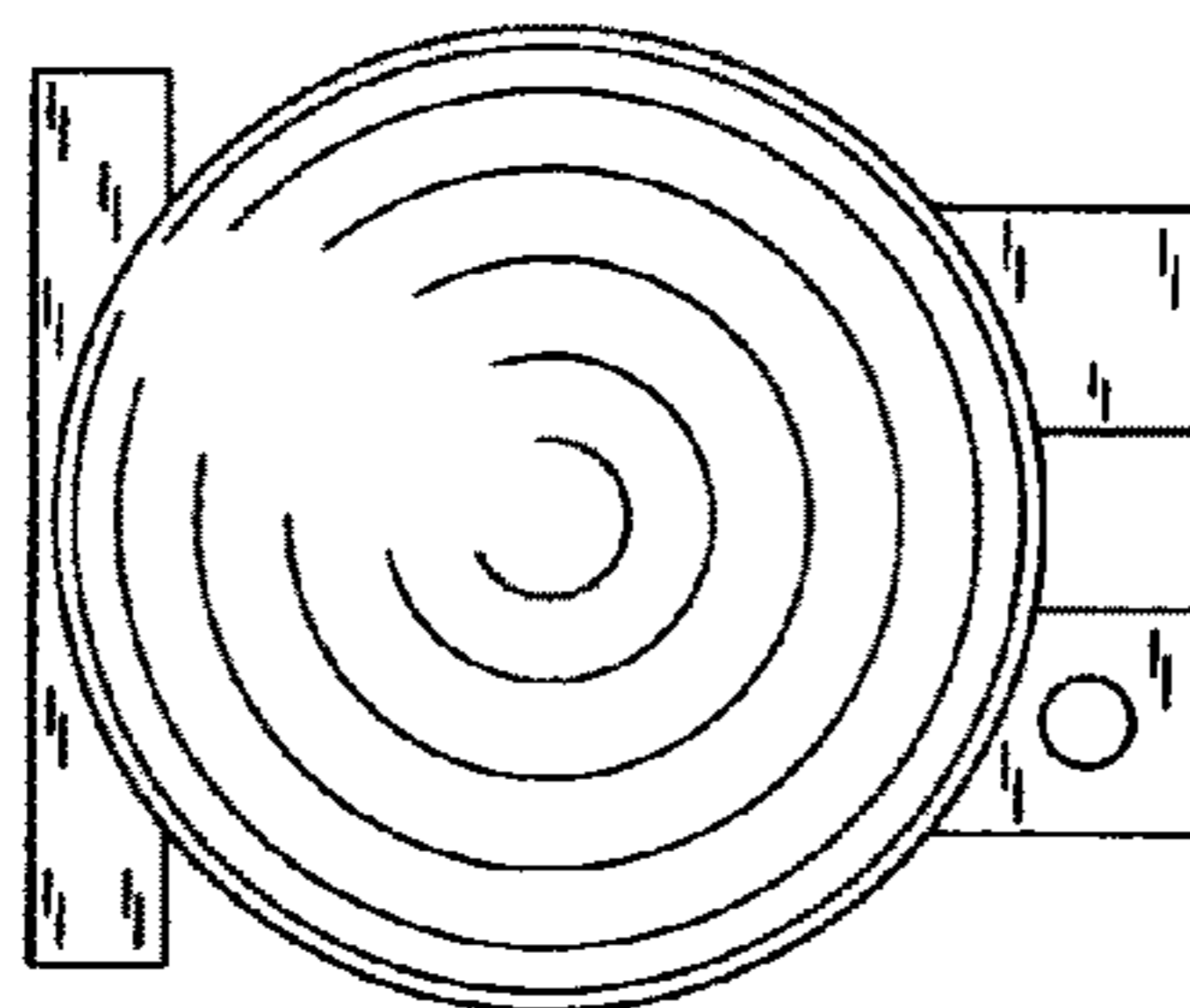


FIG. 7

