



US00D755350S

(12) **United States Design Patent**
Rexach

(10) **Patent No.:** **US D755,350 S**

(45) **Date of Patent:** **** May 3, 2016**

(54) **FAUCET**

(71) Applicant: **Kohler Co.**, Kohler, WI (US)

(72) Inventor: **Rafael Alfredo Rexach**, Sheboygan, WI (US)

(73) Assignee: **KOHLER CO.**, Kohler, WI (US)

(**) Term: **14 Years**

(21) Appl. No.: **29/519,944**

(22) Filed: **Mar. 9, 2015**

(51) **LOC (10) Cl.** **23-01**

(52) **U.S. Cl.**
USPC **D23/238**

(58) **Field of Classification Search**
USPC D23/238-243, 249-250, 252, 254-255, D23/257, 253
CPC E03C 1/04; E03C 1/0401; E03C 1/0402; E03C 1/0404; F16K 31/602; F16K 31/605; F16K 31/607
See application file for complete search history.

(56) **References Cited**

U.S. PATENT DOCUMENTS

D466,987 S	12/2002	Smith	
D503,217 S *	3/2005	Aubry	D23/238
D530,790 S	10/2006	Kohler, Jr. et al.	
D534,619 S *	1/2007	Garner	D23/238
D534,993 S	1/2007	Kirar	
D563,192 S	3/2008	Barry	
D588,235 S	3/2009	Rexach	

D598,072 S *	8/2009	Zetsche	D23/238
D602,570 S *	10/2009	Lammel	D23/242
D615,162 S *	5/2010	Pan	D23/255
D628,277 S	11/2010	Montgomery	
D645,941 S *	9/2011	Ando	D23/242
D689,987 S	9/2013	Kington et al.	
D720,432 S	12/2014	Hundley et al.	

* cited by examiner

Primary Examiner — Robert Delehanty

(74) *Attorney, Agent, or Firm* — Foley & Lardner LLP

(57) **CLAIM**

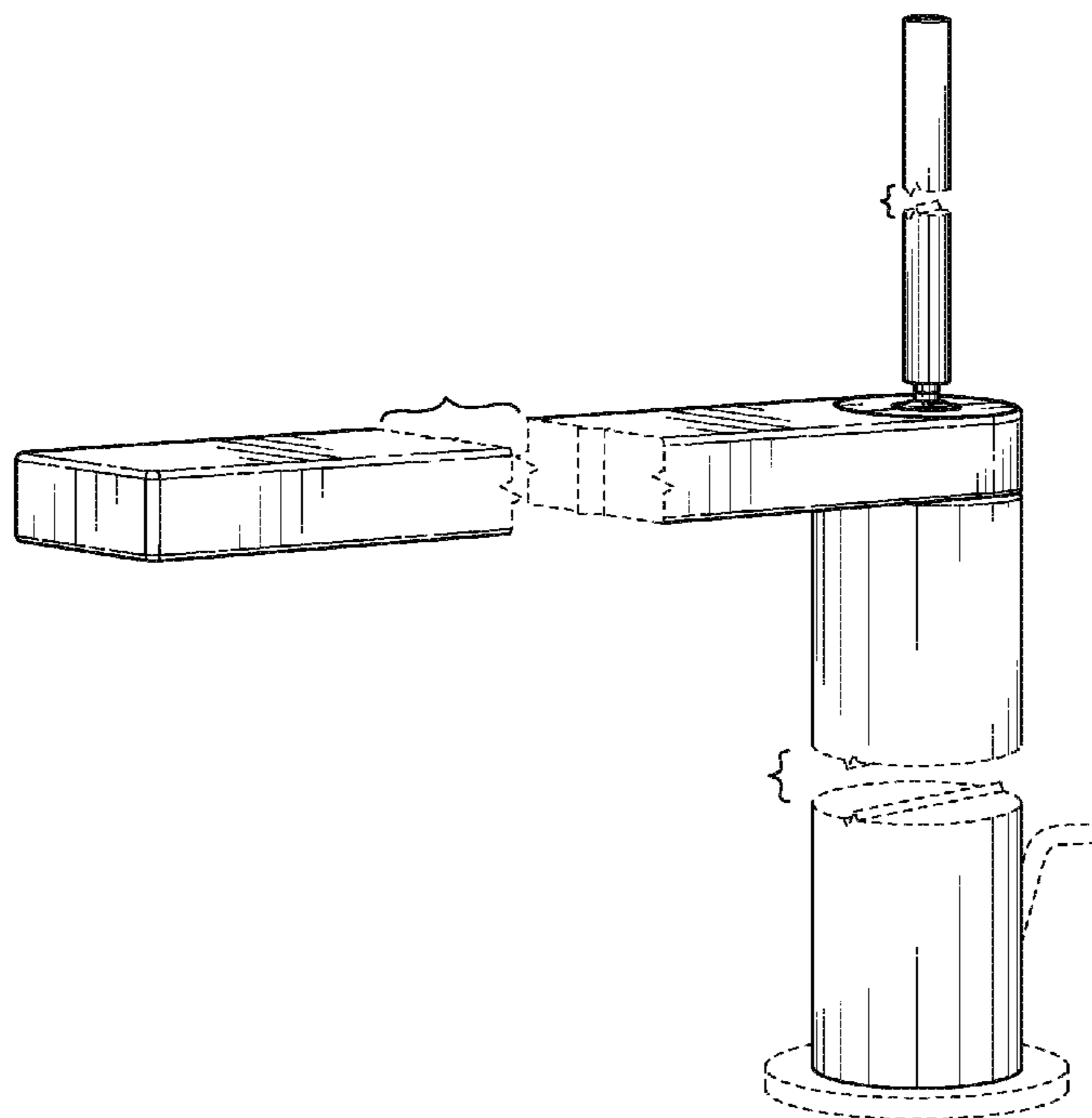
I claim the ornamental design for a faucet, as shown and described.

DESCRIPTION

FIG. 1 is a top, front, right perspective view of an embodiment of the claimed design,
FIG. 2 is a front elevation view thereof,
FIG. 3 is a rear elevation view thereof,
FIG. 4 is a left elevation view thereof,
FIG. 5 is a right elevation view thereof,
FIG. 6 is a top, plan view thereof; and,
FIG. 7 is a bottom, plan view thereof.

The ornamental design which is claimed is shown in solid lines in the drawings. The broken lines in the drawings form no part of the claimed design. Broken lines formed by equal length dashes show unclaimed subject matter. Broken lines formed of unequal length dashes (i.e., dash-dot) define bounds of the claimed design. Broken away symbols having a jagged element show that no particular length of tile portion is claimed.

1 Claim, 5 Drawing Sheets



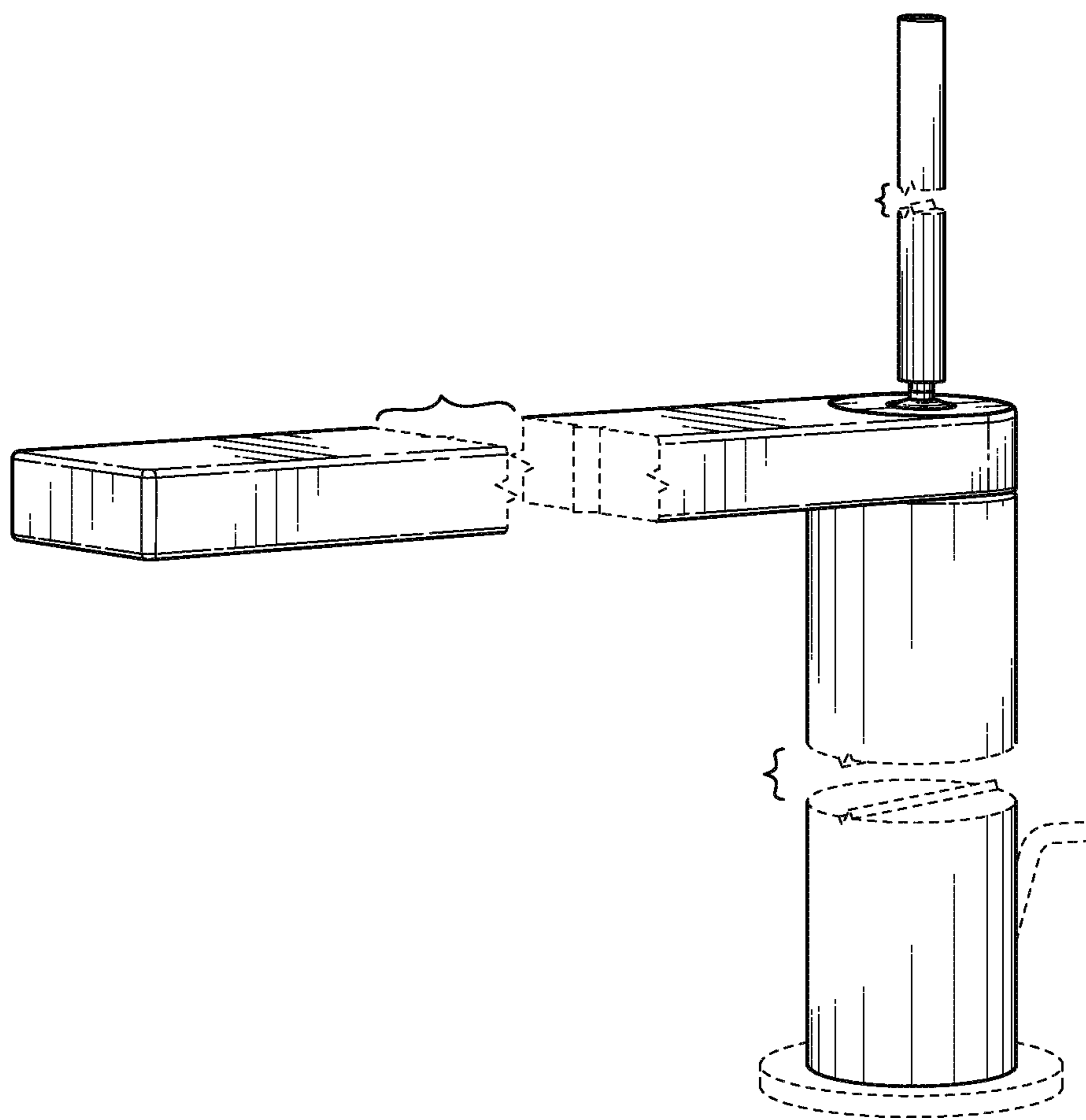


FIG. 1

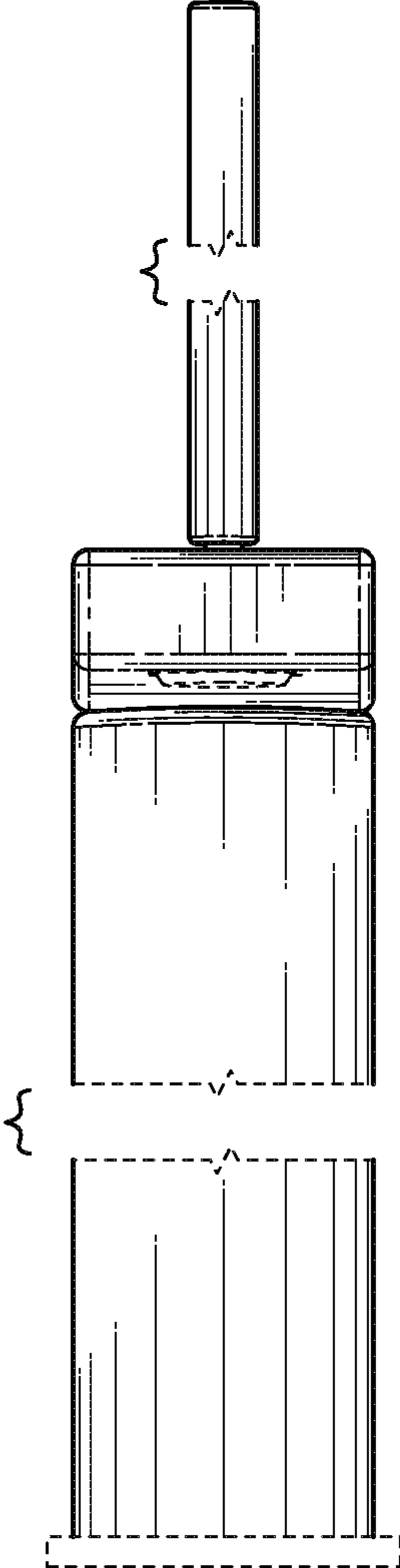


FIG. 2

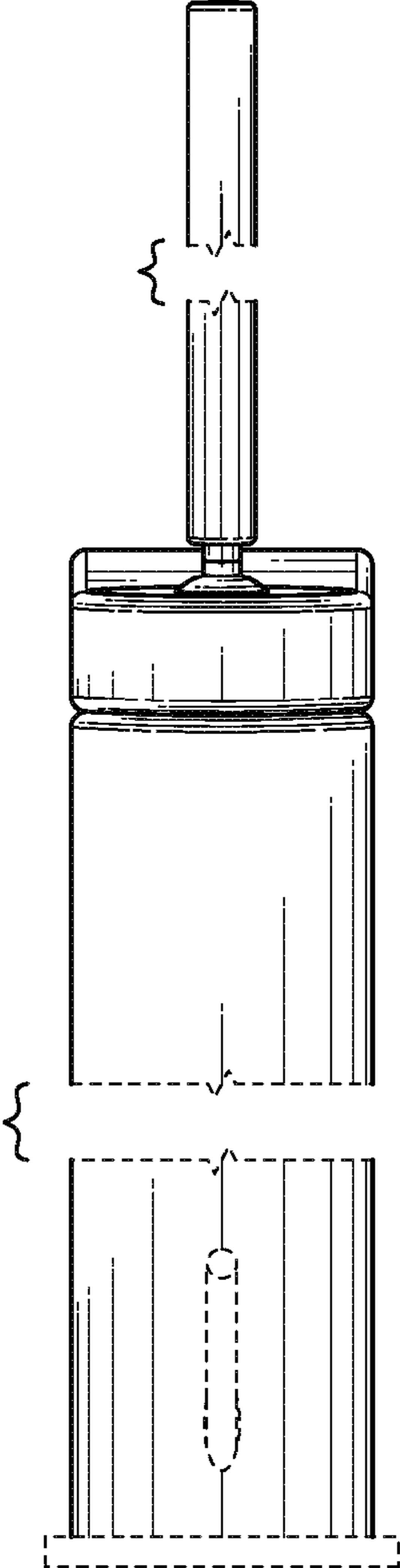


FIG. 3

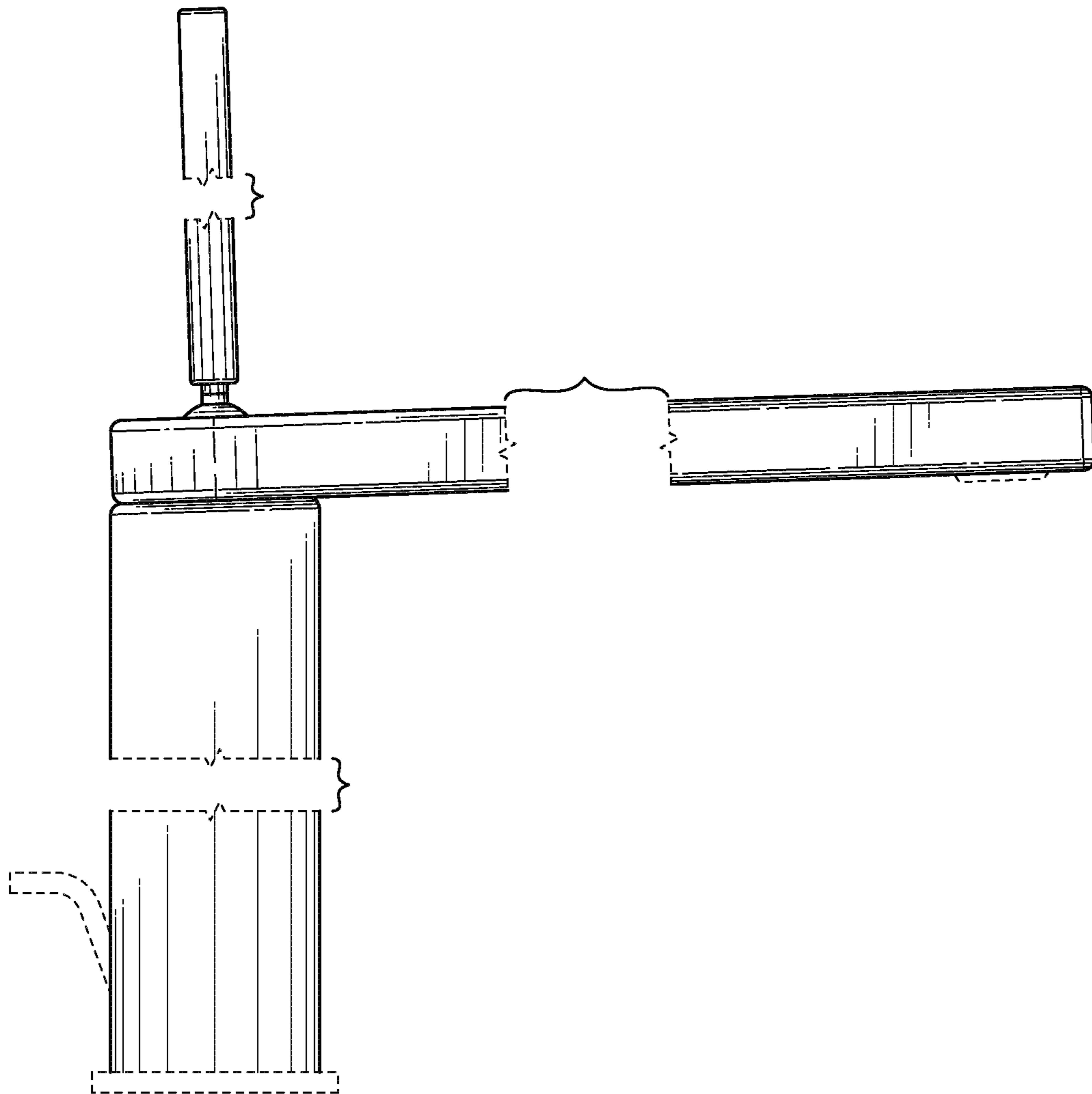


FIG. 4

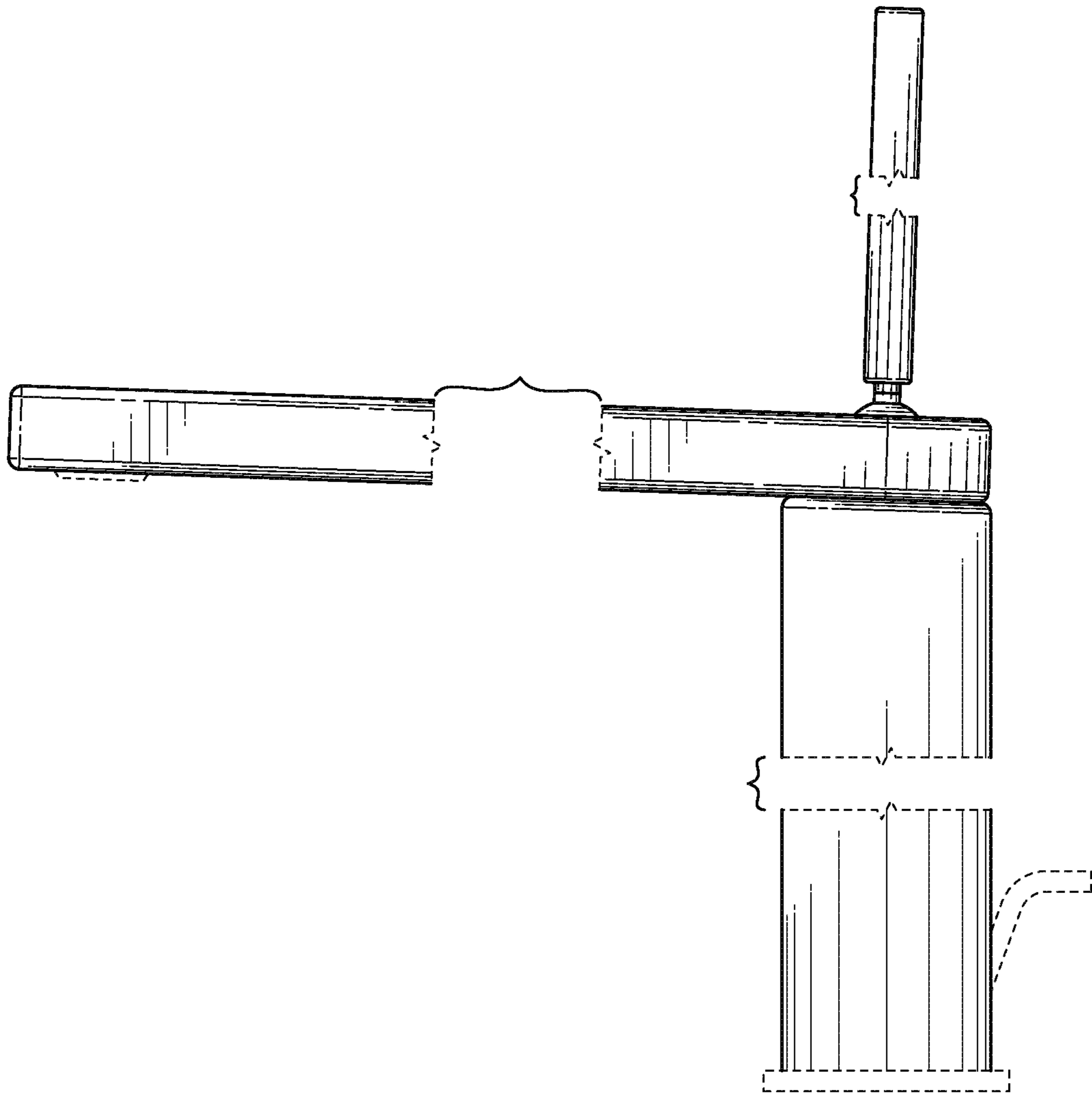


FIG. 5

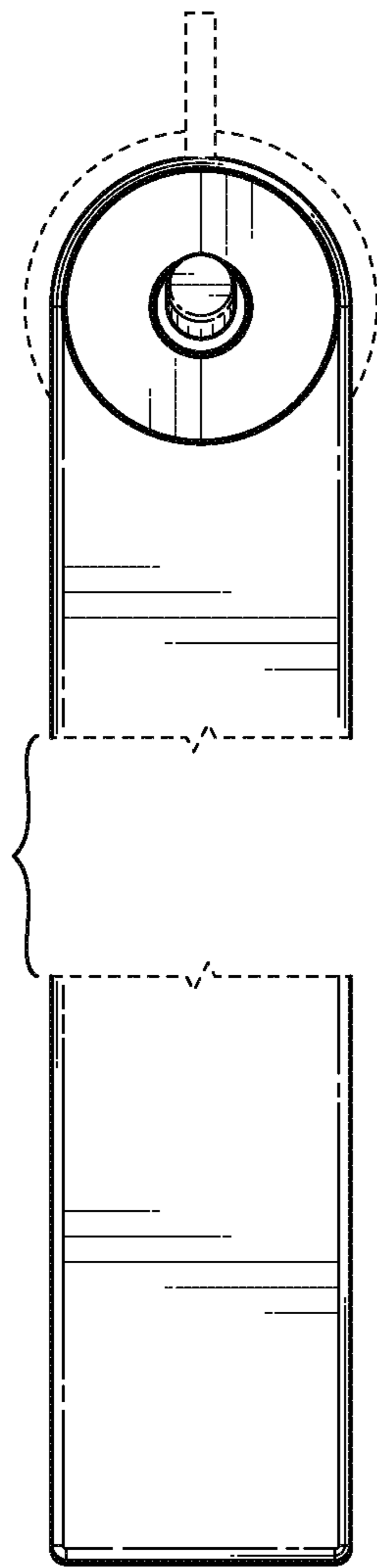


FIG. 6

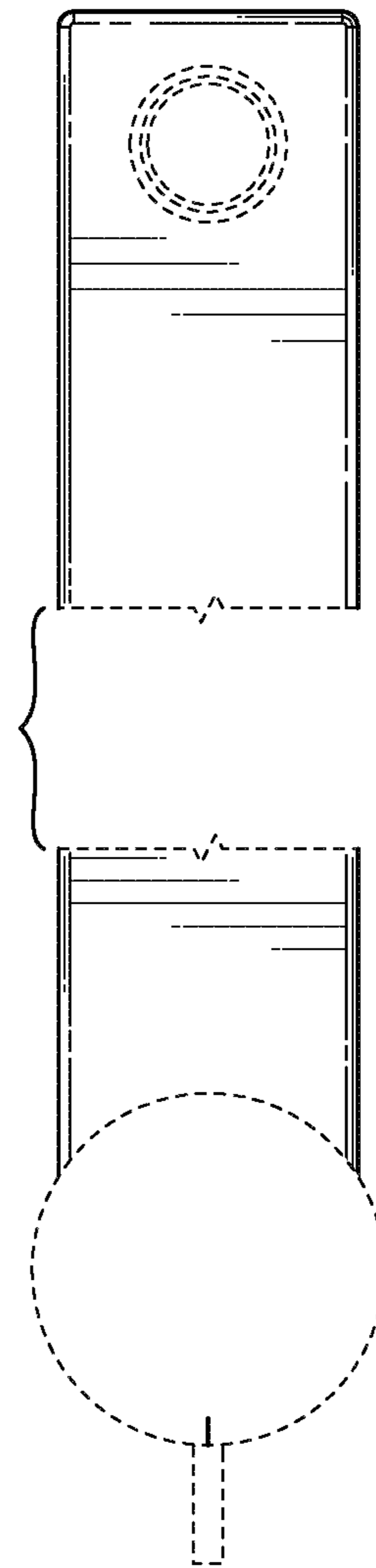


FIG. 7