



US00D755349S

(12) **United States Design Patent**
Murphey et al.

(10) **Patent No.:** **US D755,349 S**

(45) **Date of Patent:** **** May 3, 2016**

(54) **CHECK VALVE ASSEMBLY**

(71) Applicant: **B&B MOLDERS LLC**, Mishawaka, IN (US)

(72) Inventors: **Bradly Michael Murphey**, Osceola, IN (US); **Adam Nathaniel Schramski**, Mishawaka, IN (US); **Michael Patrick Dittrich**, Granger, IN (US)

(73) Assignee: **B&B Molders LLC**, Mishawaka, IN (US)

(**) Term: **14 Years**

(21) Appl. No.: **29/498,145**

(22) Filed: **Jul. 31, 2014**

(51) **LOC (10) Cl.** **23-01**

(52) **U.S. Cl.**
USPC **D23/237**

(58) **Field of Classification Search**

USPC D23/233-269; 137/15.04, 15.08, 515.7, 137/859, 843, 332, 529, 533.17, 559, 846, 137/855, 899, 539, 539.5, 543.17
CPC ... F16K 27/0209; F16K 15/183; F16K 15/00; F16K 15/188

See application file for complete search history.

(56) **References Cited**

U.S. PATENT DOCUMENTS

6,250,336 B1 6/2001 Murphey et al.
D623,723 S * 9/2010 Nimberger D23/237
D624,157 S * 9/2010 Nimberger D23/237
D645,053 S * 9/2011 Shea et al. D15/5
D721,789 S * 1/2015 Lu D23/237
D722,377 S * 2/2015 Schramski et al. D23/393

OTHER PUBLICATIONS

B&B Molders LLC, RV Parts & Accessories Catalog, 2007, cover page, pp. 4-11, pp. 24-39, and back page; Mishawaka, USA.

B&B Molders LLC, Product Catalog, 1997, cover p. and pp. 3-6; Mishawaka, USA.

B&B Molders LLC, Flyer for Inline Plastic Check Valves title "A Revolutionary Design for Inline Plastic Check Valves", 2011, Mishawaka, USA.

B&B Molders LLC, Flyer for Product entitled "'Lead Free' from B&B!!!", 2010, Mishawaka, USA.

B&B Molders LLC, Flyer for Product titled "New from B&B Molders!! "Test Plug" for Water Distribution Testing", 2008, Mishawaka, USA.

(Continued)

Primary Examiner — Cynthia Ramirez

Assistant Examiner — Gino Colan

(74) *Attorney, Agent, or Firm* — Leydig, Voit & Mayer, Ltd.

(57) **CLAIM**

The ornamental design for a check valve assembly, as shown and described.

DESCRIPTION

FIG. 1 is a perspective view taken from the top side of a check valve assembly in accordance with my new design.

FIG. 2 is a front elevational view of the check valve assembly of FIG. 1.

FIG. 3 is a rear elevational view of the check valve assembly of FIG. 1.

FIG. 4 is a left side elevational view of the check valve assembly of FIG. 1.

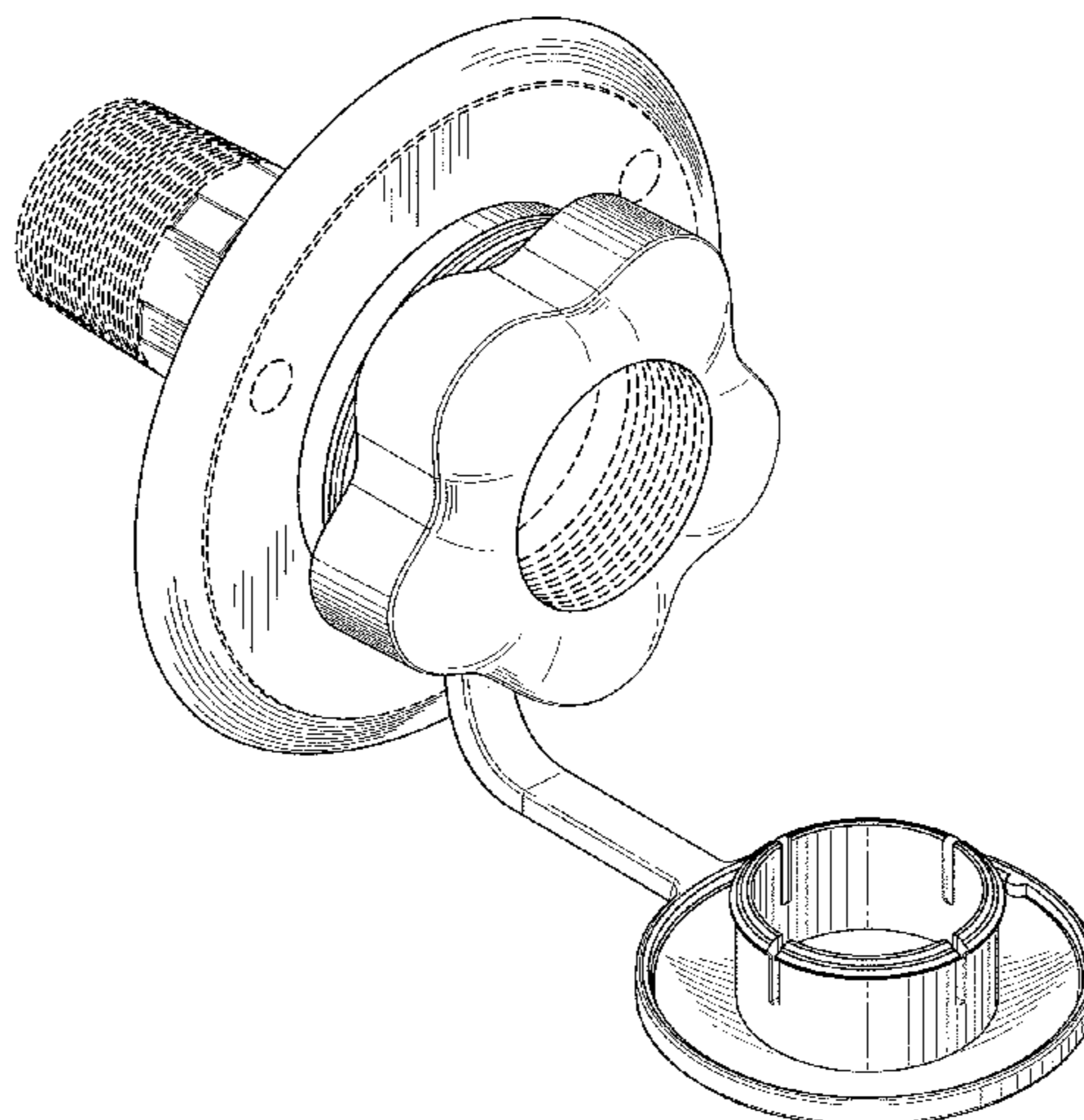
FIG. 5 is a right side elevational view of the check valve assembly of FIG. 1.

FIG. 6 is a top view of the check valve assembly of FIG. 1; and,

FIG. 7 is a bottom view of the check valve assembly of FIG. 1.

The broken lines shown in the figures are included for the purpose of illustrating the environment and form no part of the claimed design.

1 Claim, 7 Drawing Sheets



(56)

References Cited

OTHER PUBLICATIONS

B&B Molders LLC, Flyer for Water Fill Check Valves titled "New from B&B Molders!!! Revolutionary Design in Water Fill Check Valves", 2006, Mishawaka, USA.

Swan Industries, Inc., Catalog, 2014, Bend, USA.

B&B Molders LLC, First Photograph of Competitor's Product, taken before 2013, Mishawaka, USA.

B&B Molders LLC, Second Photograph of Competitor Product, taken before 2013, Mishawaka, USA.

* cited by examiner

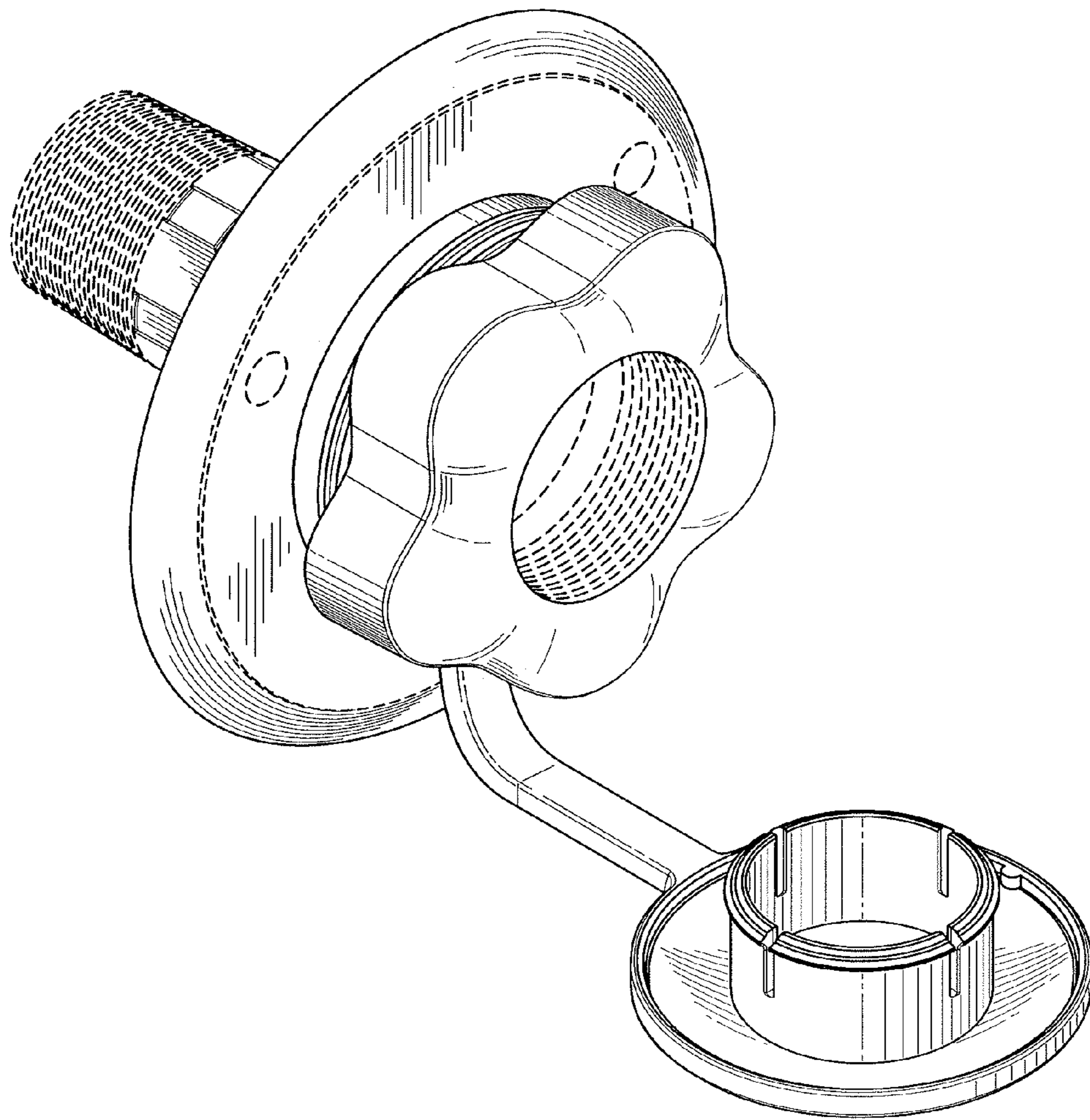


FIG. 1

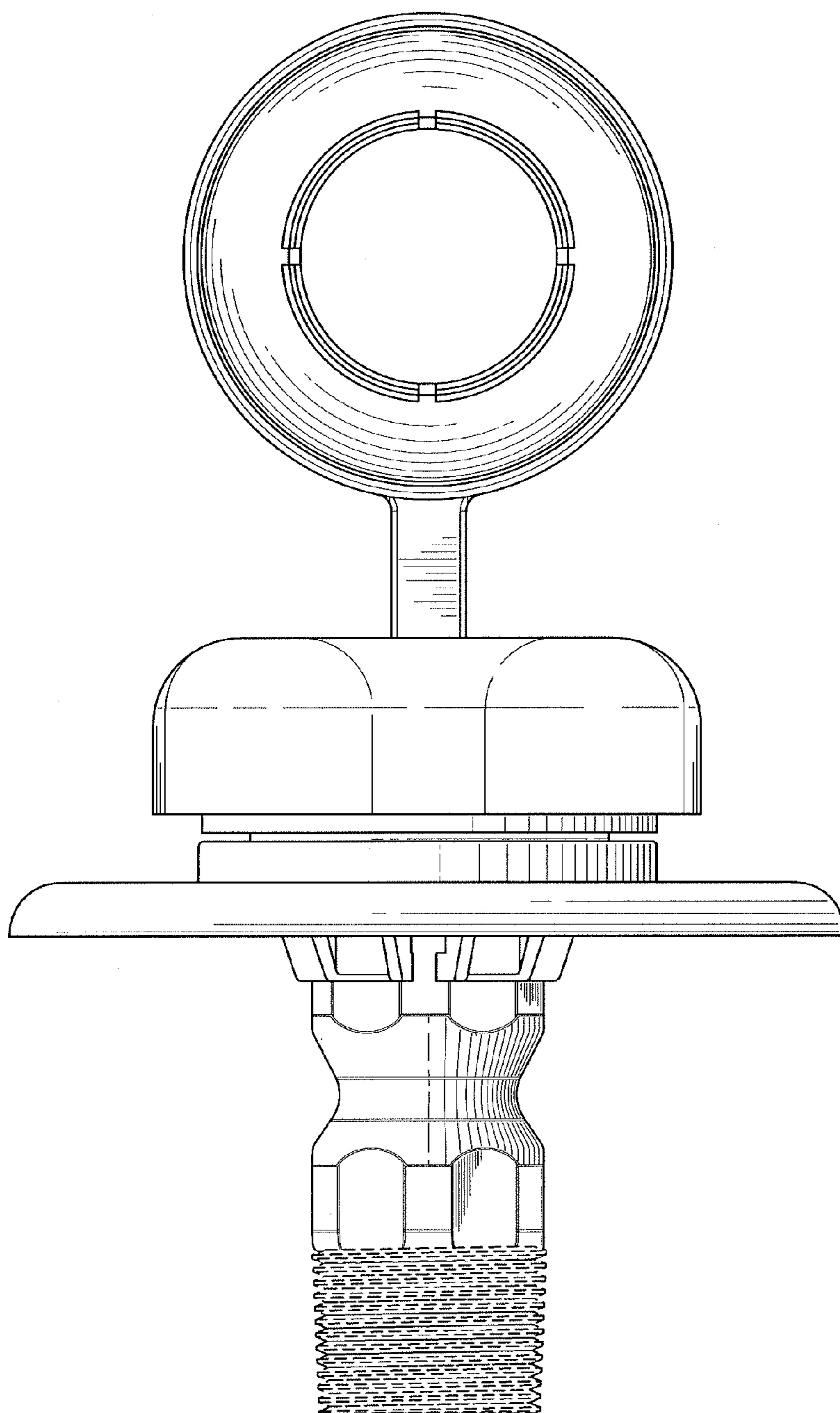


FIG. 2

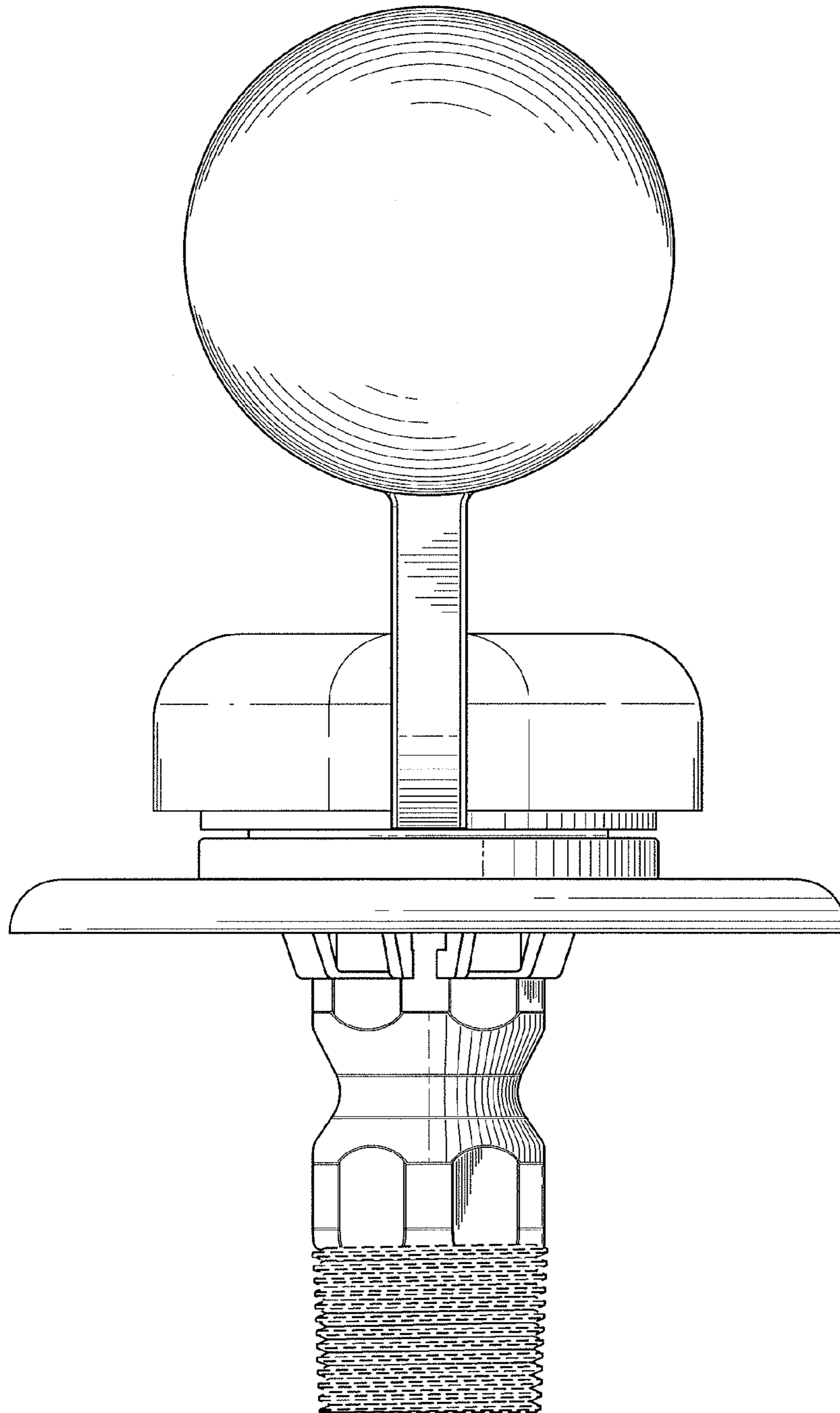


FIG. 3

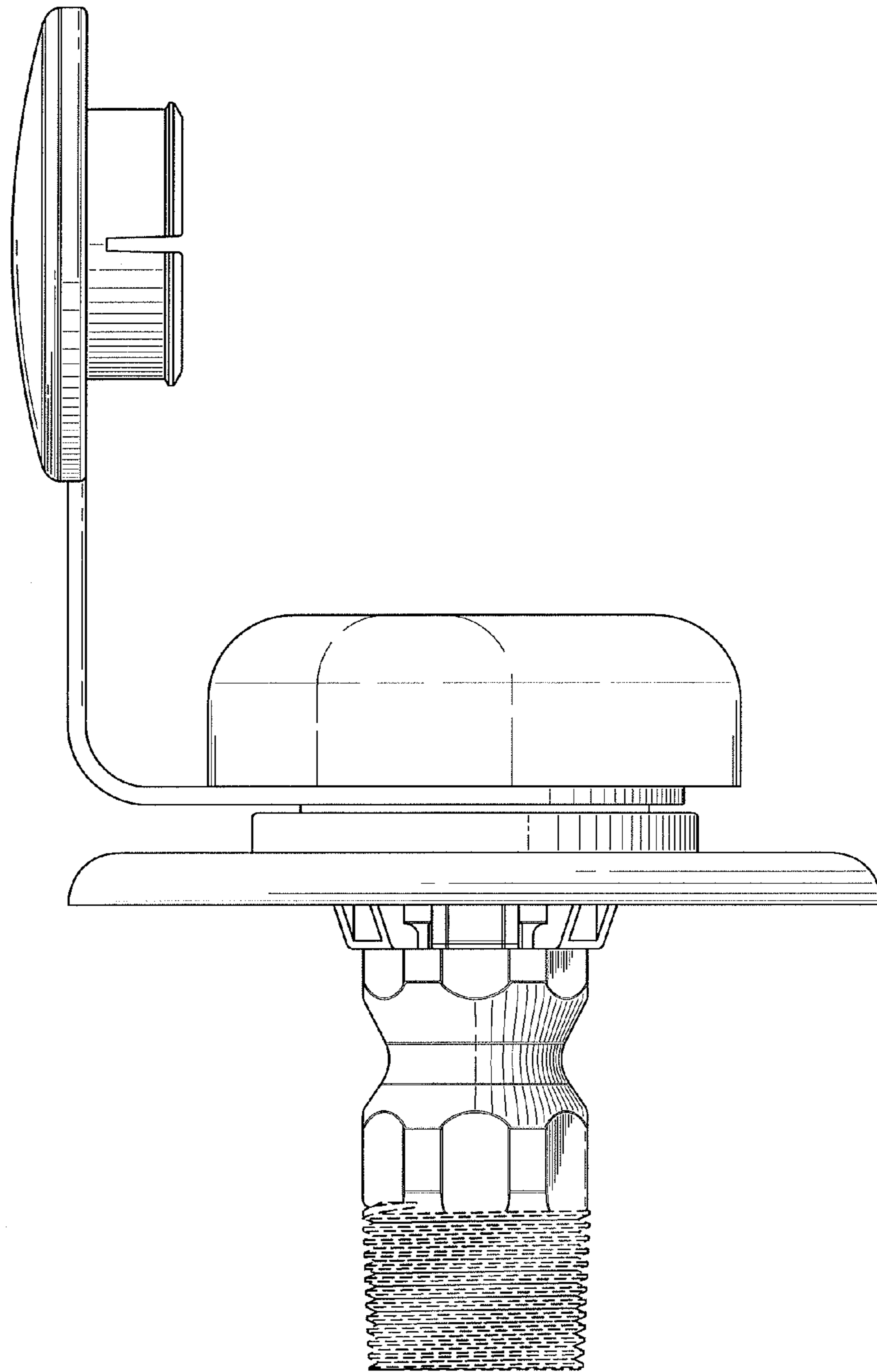


FIG. 4

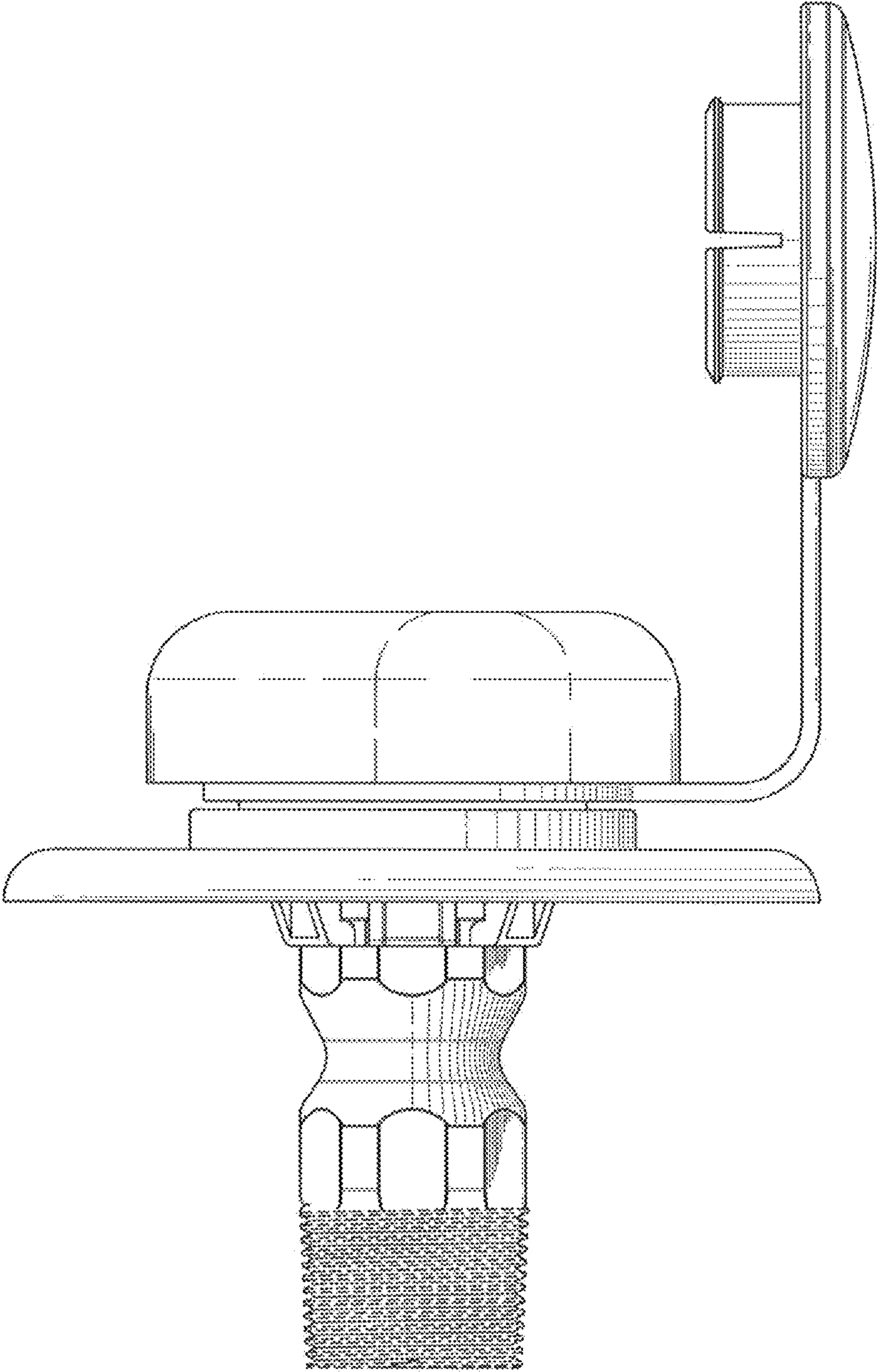


FIG. 5

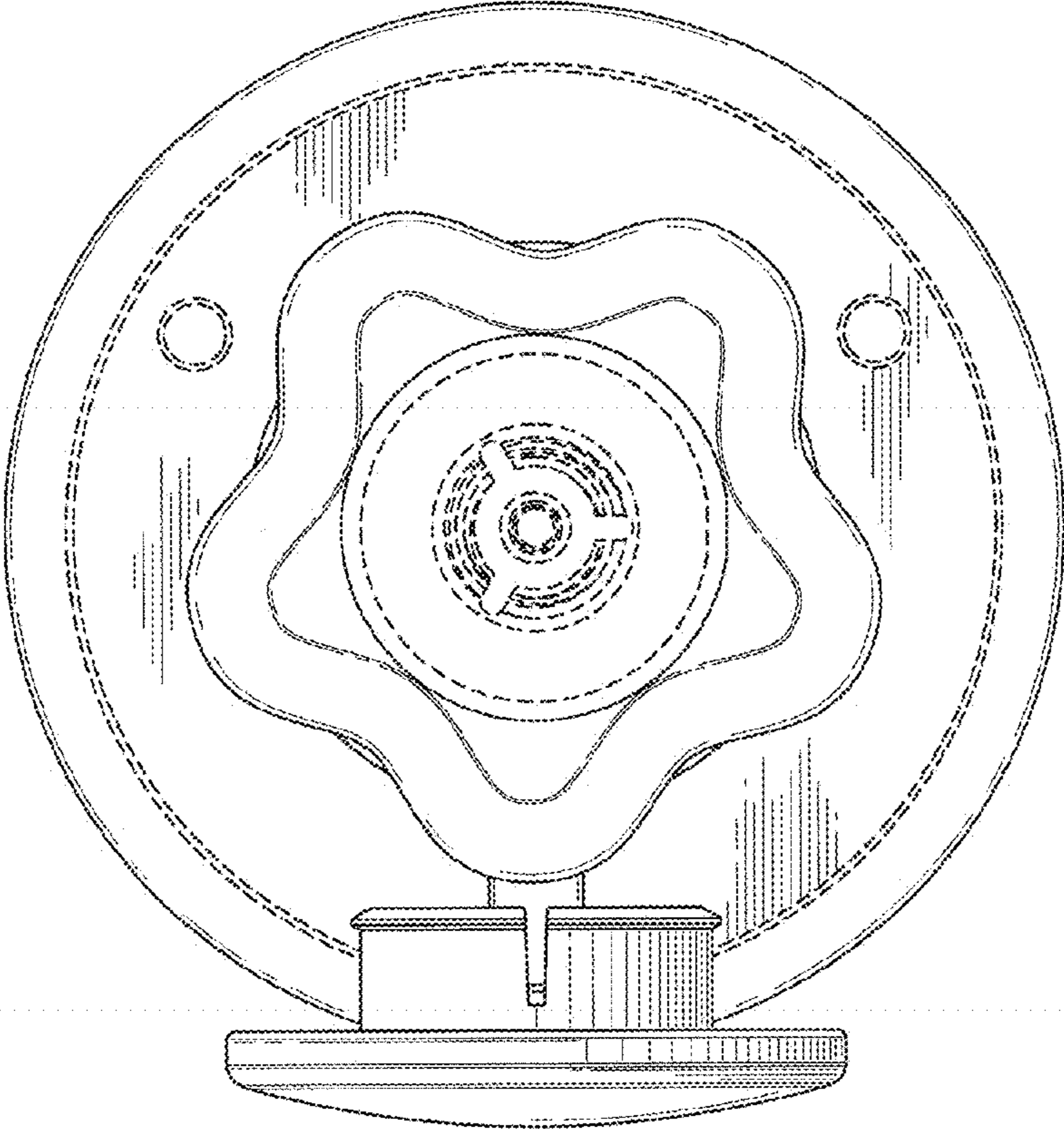


FIG. 6

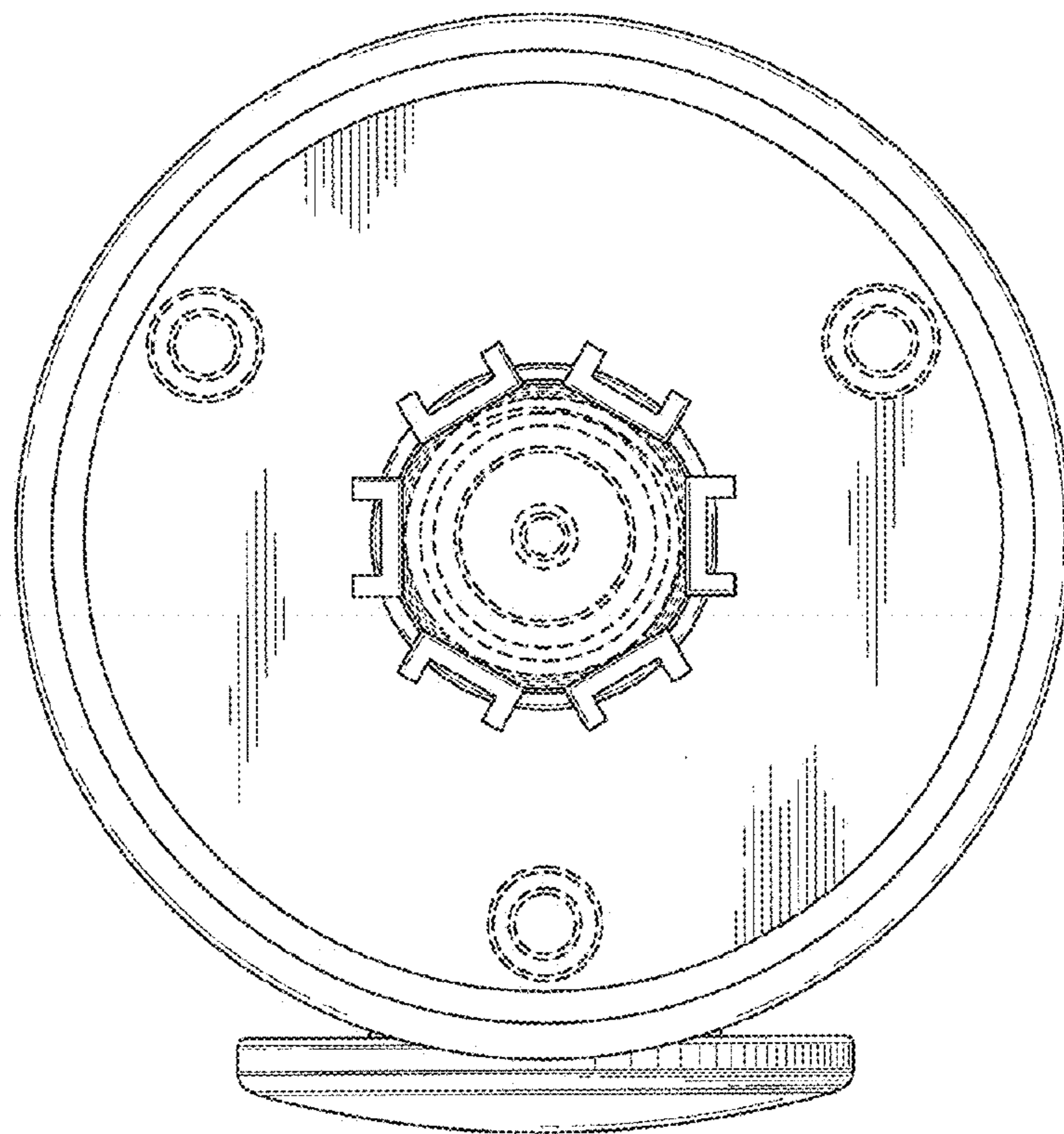


FIG. 7