



US00D755348S

(12) **United States Design Patent**  
**Mitsuoka**

(10) **Patent No.:** **US D755,348 S**

(45) **Date of Patent:** **\*\* May 3, 2016**

(54) **DRAIN VALVE**

(71) Applicant: **Norio Mitsuoka**, Redmond, WA (US)

(72) Inventor: **Norio Mitsuoka**, Redmond, WA (US)

(\*\*) Term: **14 Years**

(21) Appl. No.: **29/508,923**

(22) Filed: **Nov. 12, 2014**

(51) **LOC (10) Cl.** ..... **23-01**

(52) **U.S. Cl.**  
USPC ..... **D23/233**

(58) **Field of Classification Search**  
USPC ..... D23/233–237, 244–249; 251/95, 99,  
251/104, 324, 318; 137/541, 542, 516.29  
CPC ..... F16K 1/46; F16K 1/222; F16K 1/326  
See application file for complete search history.

(56) **References Cited**

**U.S. PATENT DOCUMENTS**

5,562,121	A *	10/1996	Hodges et al.	137/360
5,595,212	A *	1/1997	Warshawsky et al.	137/360
5,875,812	A *	3/1999	Miller	137/360
5,983,923	A *	11/1999	Hobbs et al.	137/360
6,125,881	A *	10/2000	Hobbs et al.	137/360
6,234,193	B1 *	5/2001	Hobbs et al.	137/360
6,421,849	B1 *	7/2002	Gray	4/675
6,435,206	B1 *	8/2002	Minnick	137/360
7,546,852	B1 *	6/2009	Fails et al.	138/109
7,552,742	B2 *	6/2009	Dole	137/318
7,565,912	B2 *	7/2009	Klee	137/360
7,708,030	B2 *	5/2010	Bergamante	137/615

D661,787	S *	6/2012	Johnson	D23/262
8,191,569	B2 *	6/2012	Moore	137/360
8,210,199	B2 *	7/2012	Popp	137/360
D681,170	S	4/2013	Yamamoto	
D681,171	S	4/2013	Yamamoto	
8,613,290	B1 *	12/2013	Wu	137/218
D701,945	S	4/2014	Mitsuoka	
D701,946	S	4/2014	Mitsuoka	
D711,509	S *	8/2014	Sisk	D23/233
D724,181	S *	3/2015	Condon et al.	D23/233

\* cited by examiner

*Primary Examiner* — Cynthia Ramirez

(74) *Attorney, Agent, or Firm* — Dean A Craine

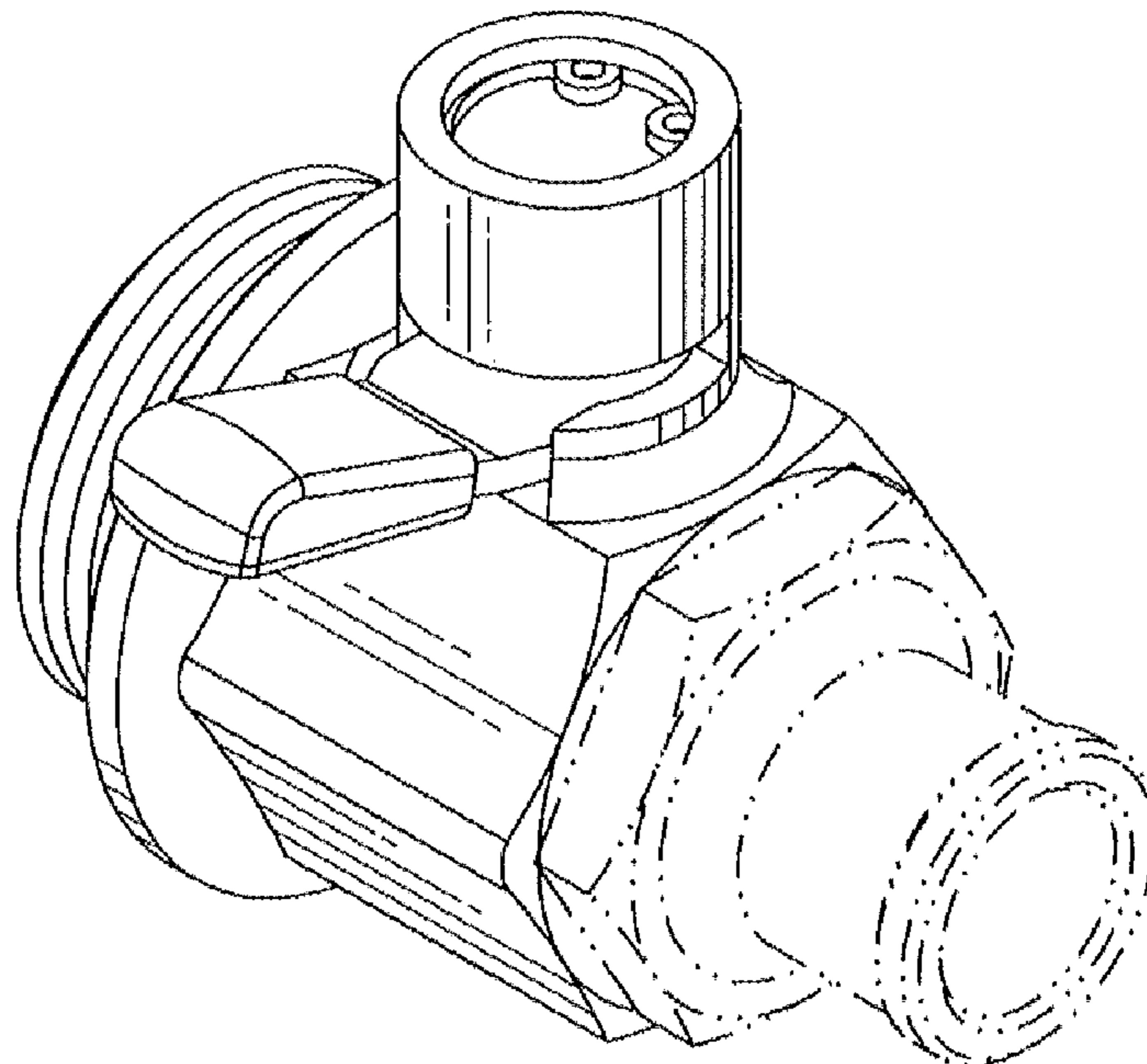
(57) **CLAIM**

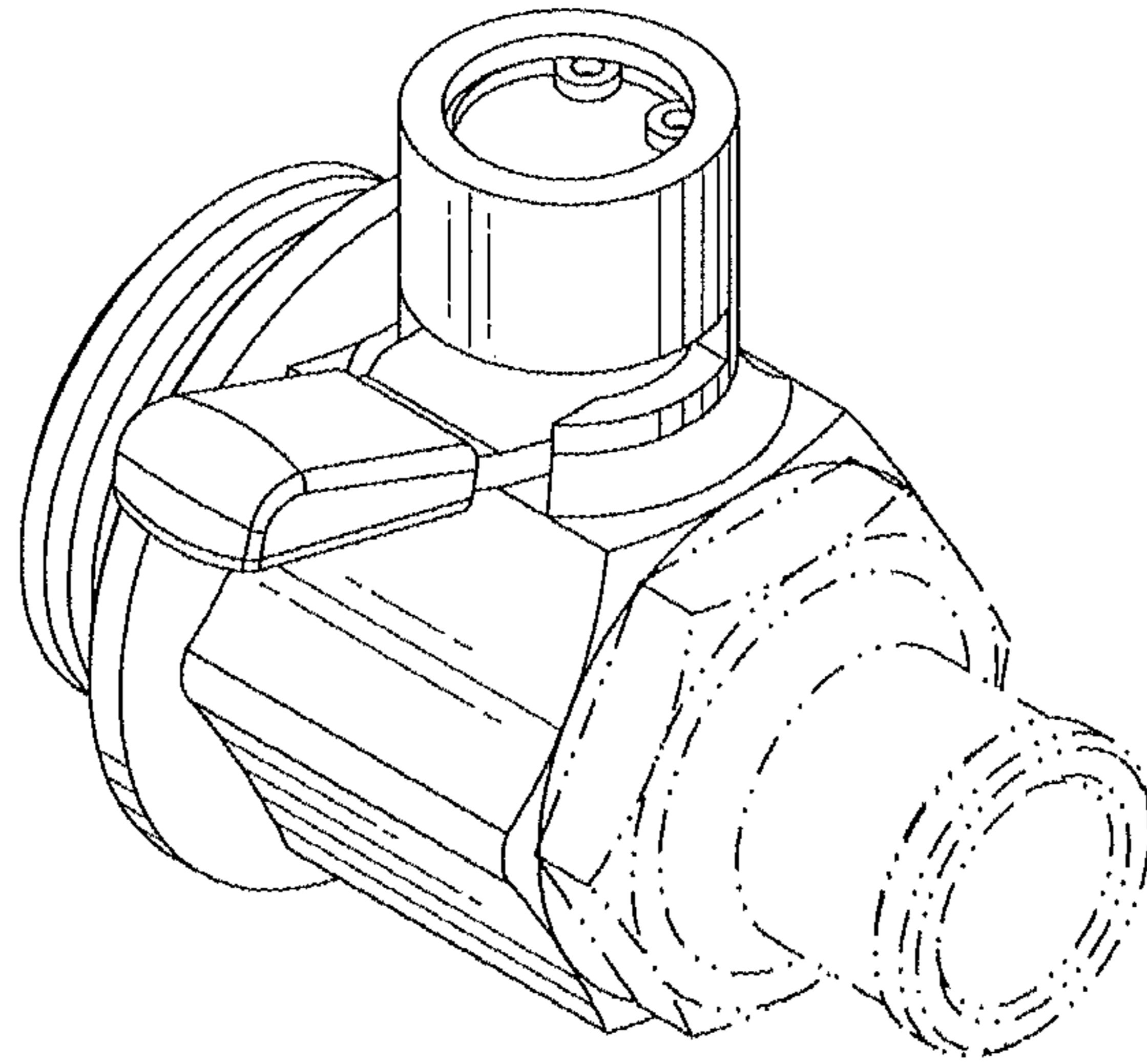
The ornamental design for a drain valve, as shown and described.

**DESCRIPTION**

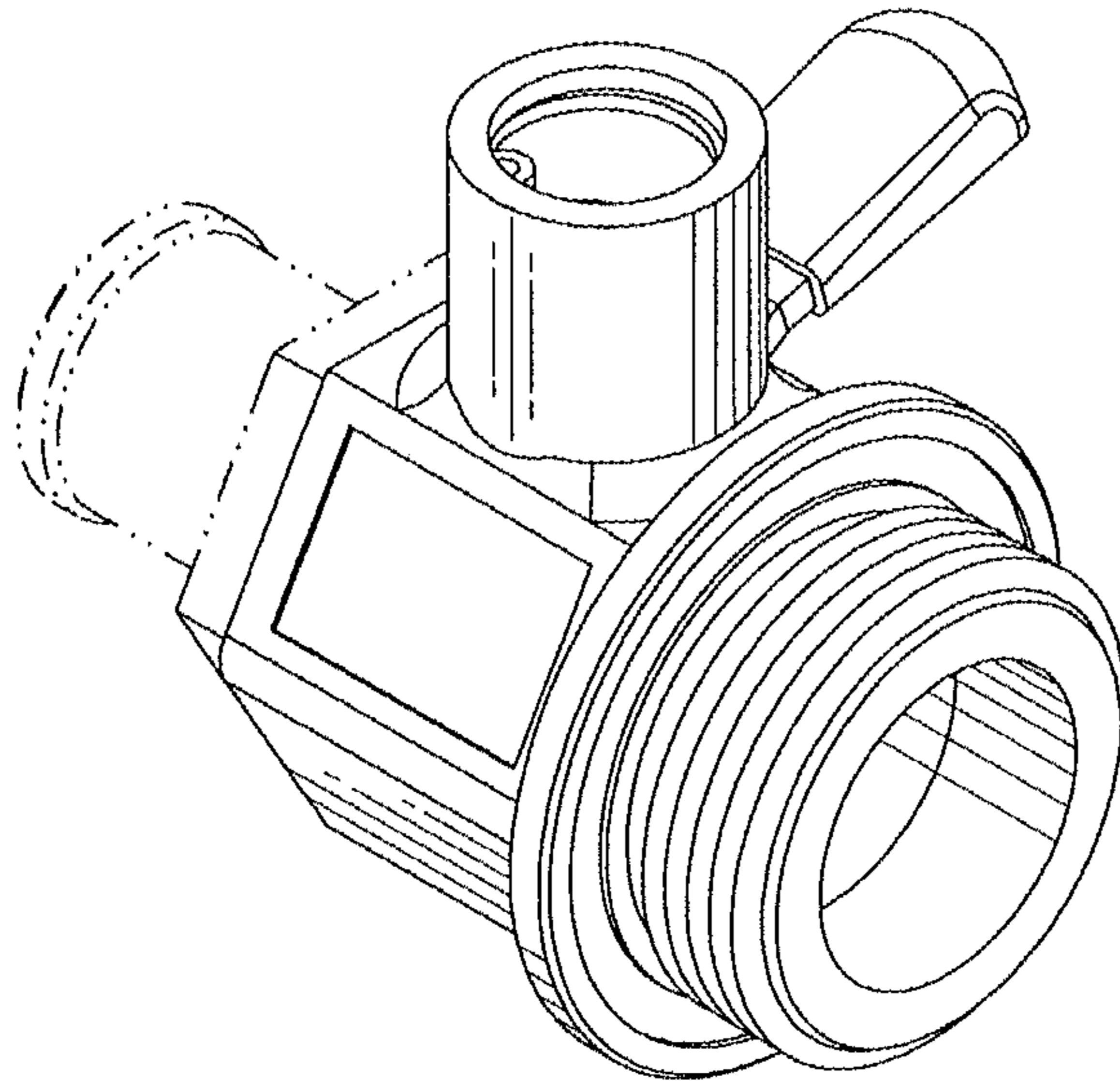
FIG. 1 is a top perspective view of a drain valve.  
FIG. 2 is a top rear perspective view of the drain valve.  
FIG. 3 is a top plan view of the drain valve.  
FIG. 4 is a right side elevational view of the drain valve.  
FIG. 5 is a left side elevational view of the drain valve.  
FIG. 6 is a bottom plan view of the drain valve.  
FIG. 7 is front elevational view of the drain valve; and,  
FIG. 8 is a rear elevational view of the drain valve.  
The broken lines shown in the figure are included for the purpose of illustrating portions of the drain valve and form no part of the claimed design.

**1 Claim, 4 Drawing Sheets**

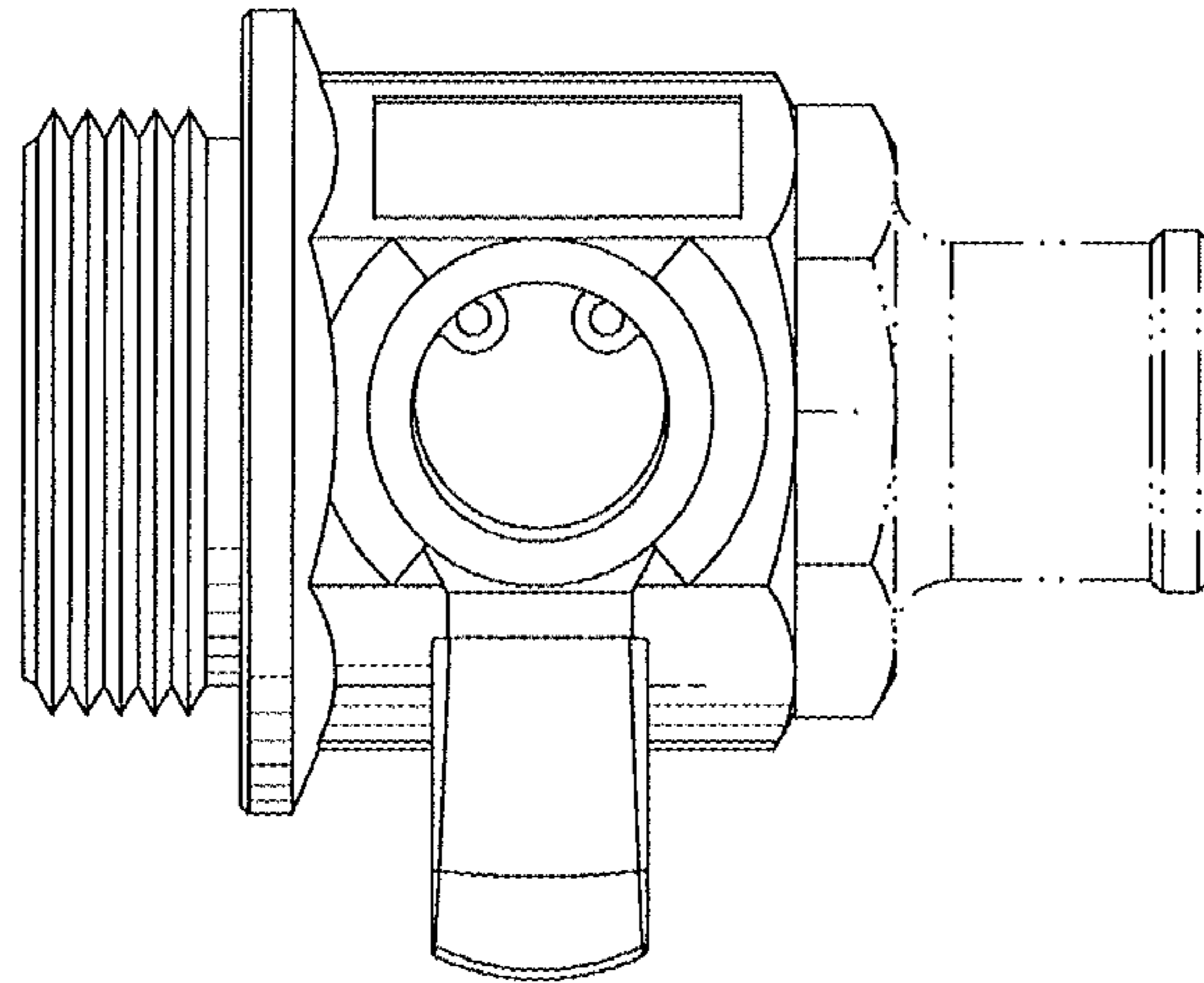




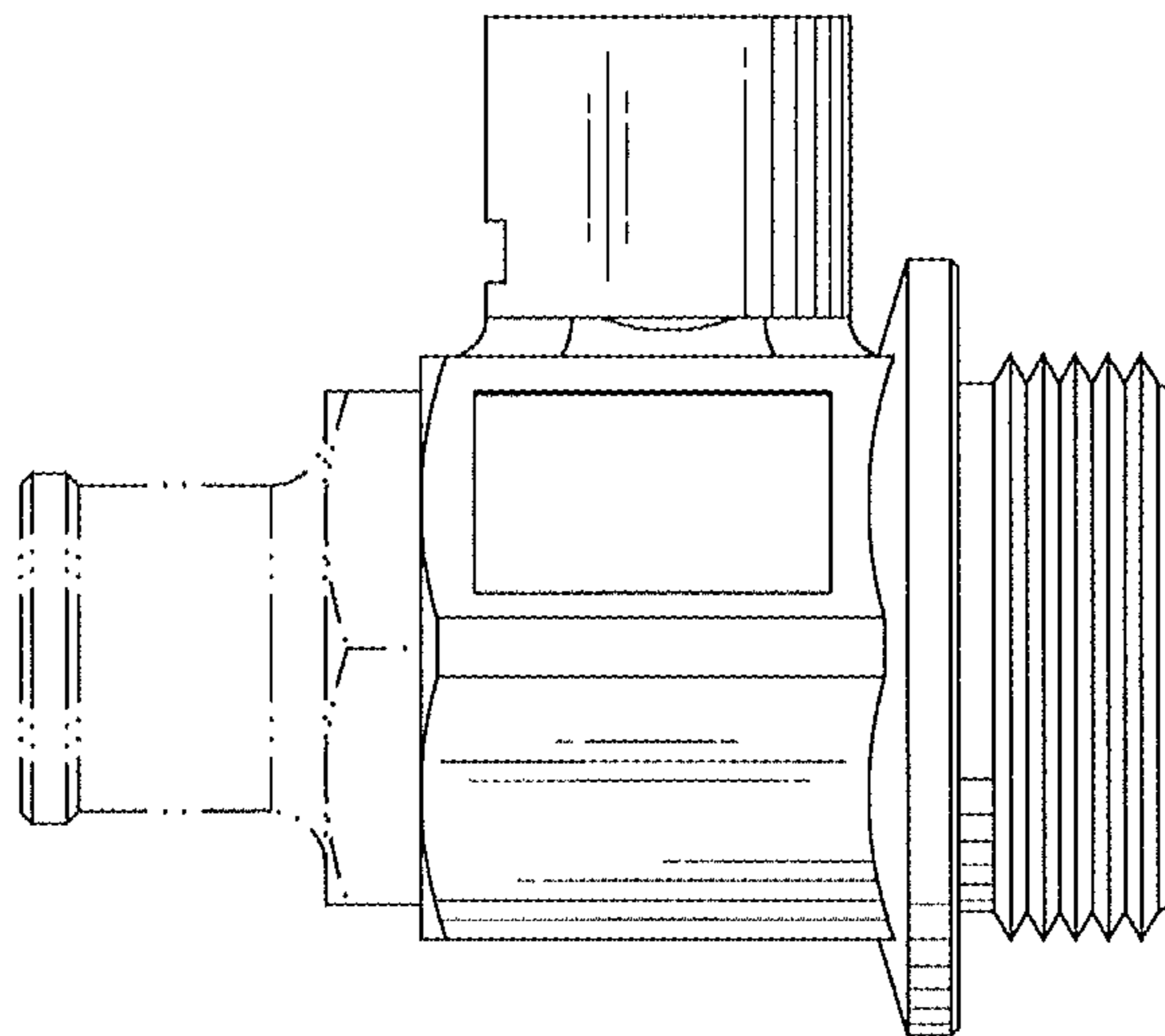
**FIG. 1**



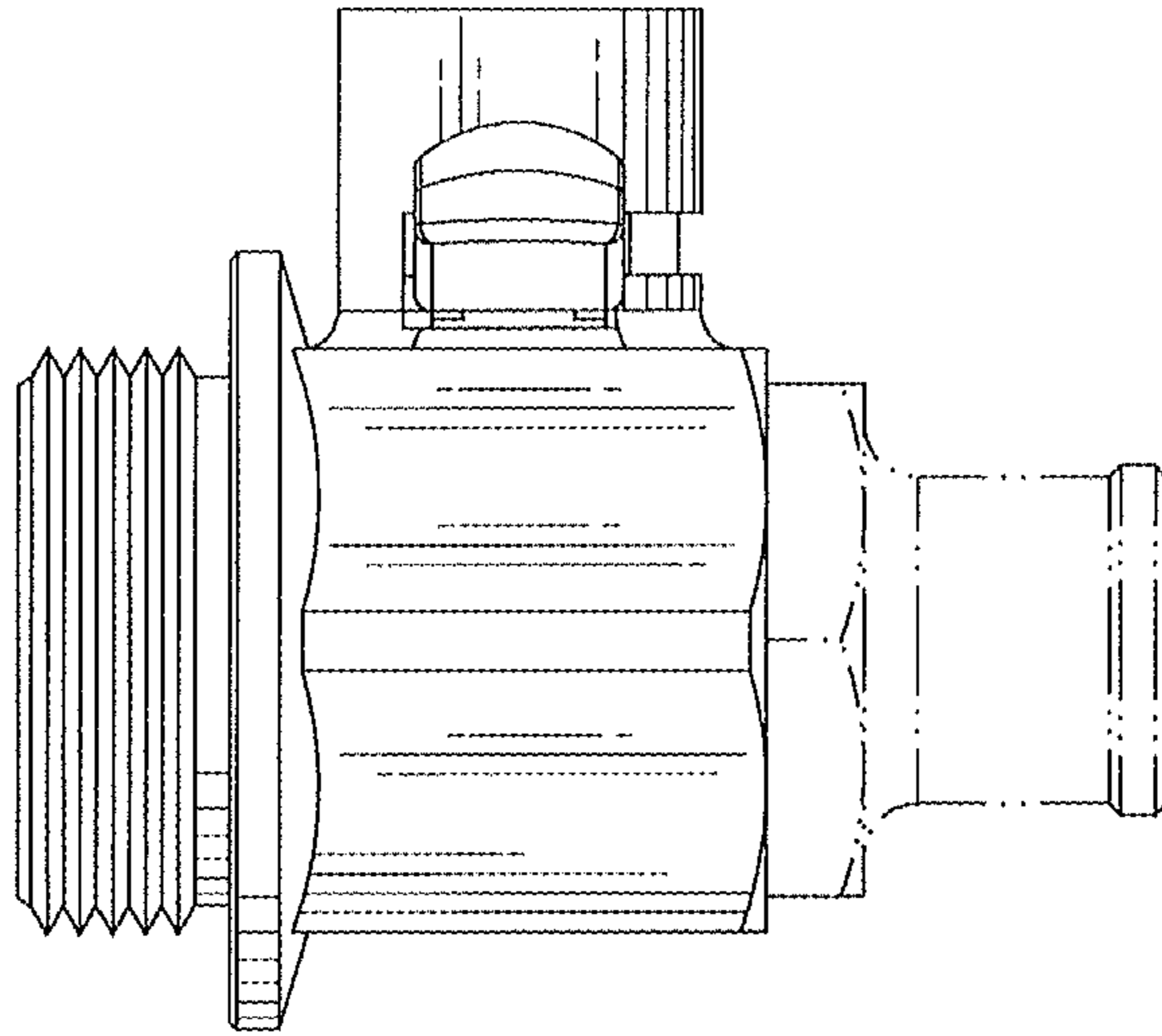
**FIG. 2**



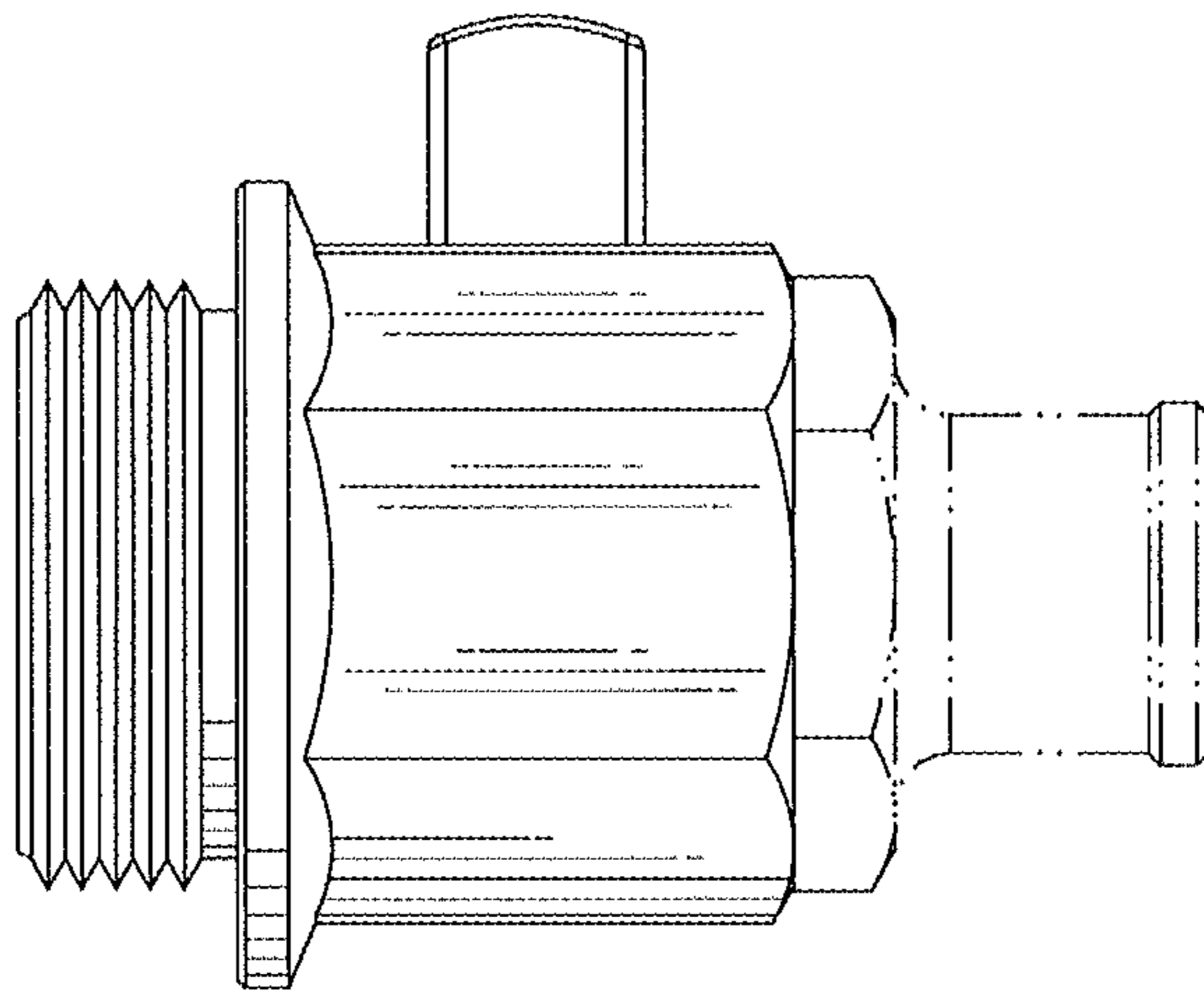
**FIG. 3**



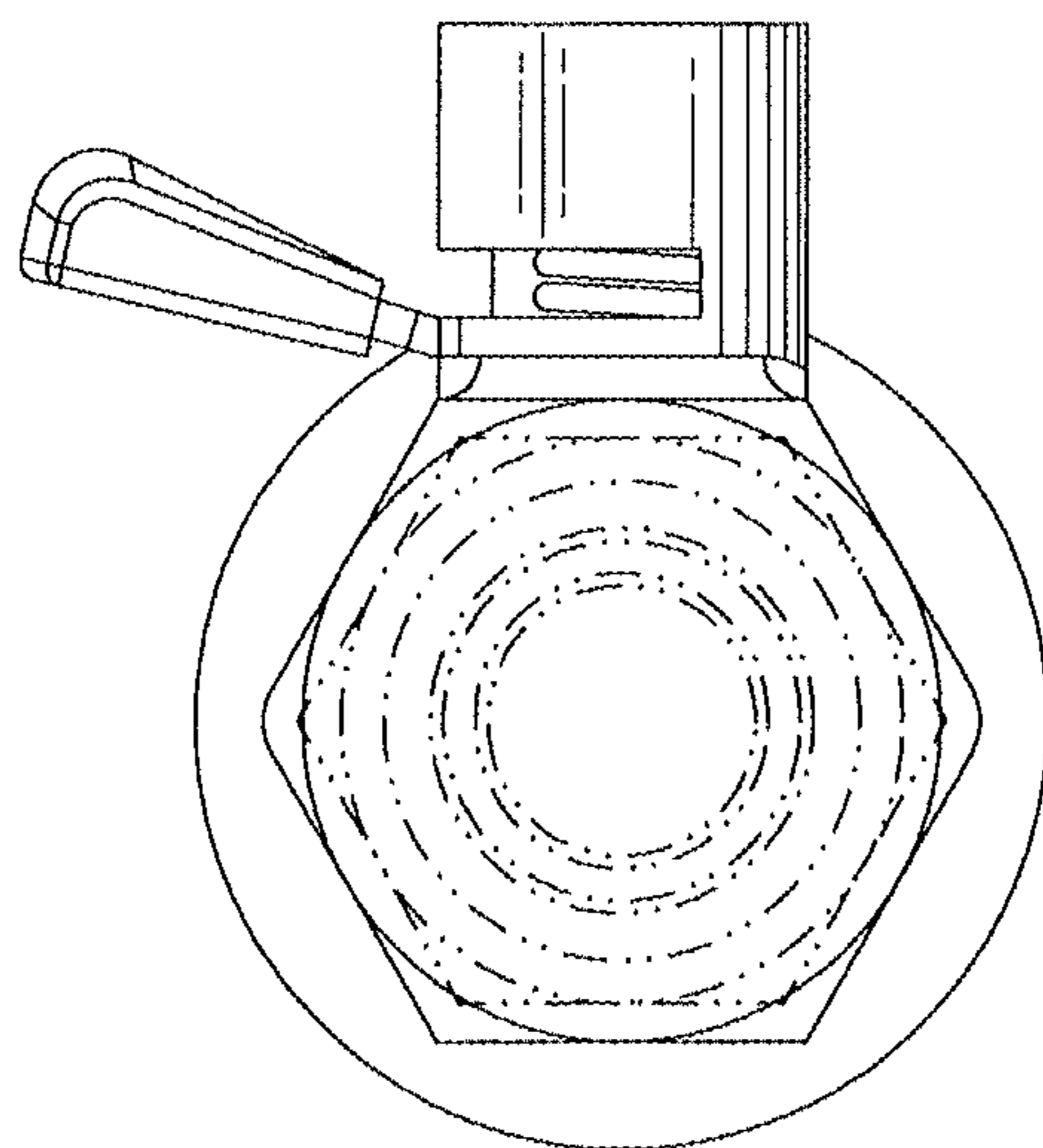
**FIG. 4**



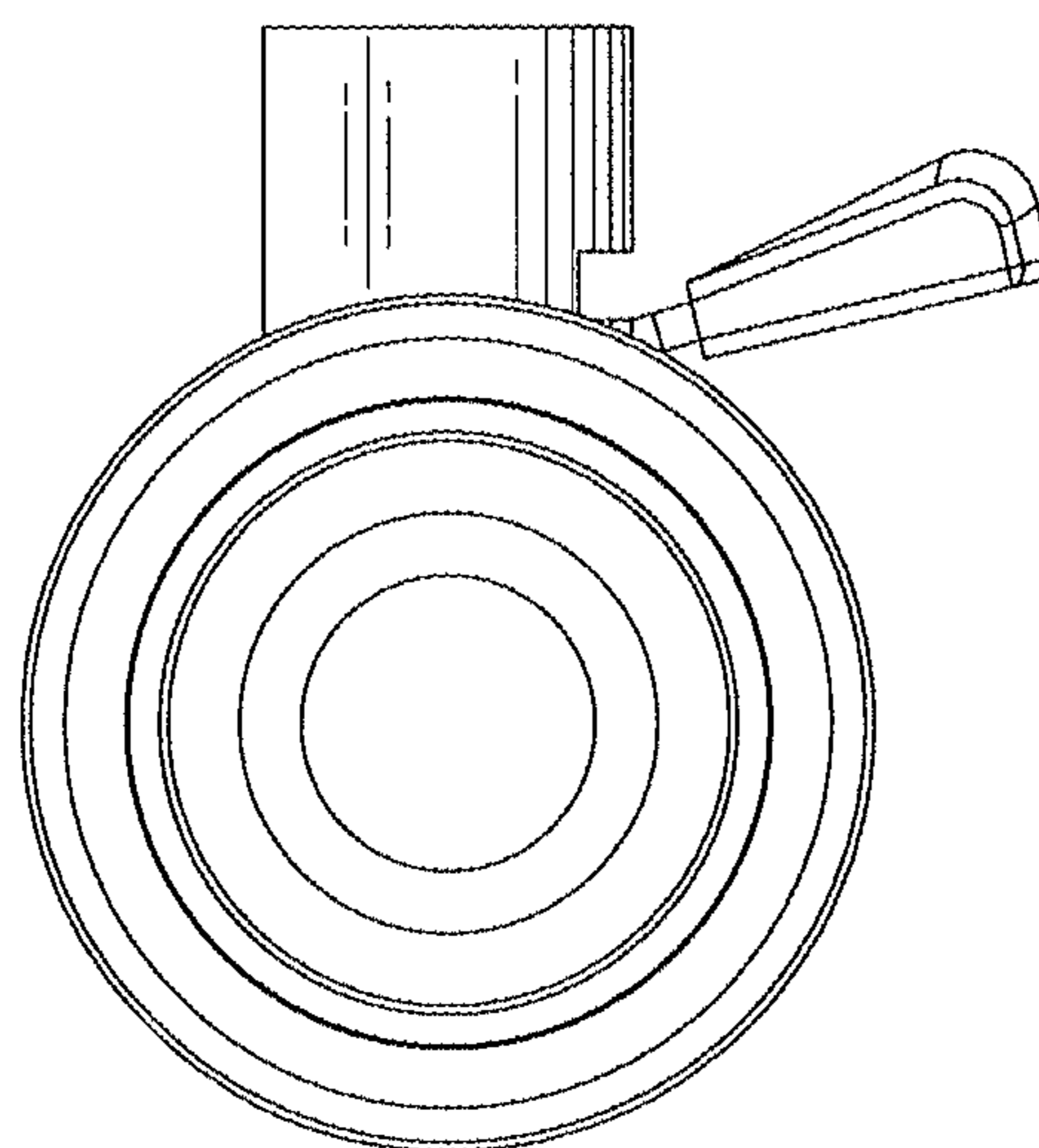
**FIG. 5**



**FIG. 6**



**FIG. 7**



**FIG. 8**