



US00D755347S

(12) **United States Design Patent**
Jenne

(10) **Patent No.:** **US D755,347 S**
(45) **Date of Patent:** **** May 3, 2016**

(54) **FILLING VALVE**

(56) **References Cited**

(71) Applicant: **Bevcorp LLC**, Willoughby, OH (US)
(72) Inventor: **Richard D. Jenne**, Willowick, OH (US)
(73) Assignee: **BEVCORP LLC**, Willoughby, OH (US)
(**) Term: **14 Years**

U.S. PATENT DOCUMENTS

5,896,897 A * 4/1999 Lewis et al. 141/39
6,223,435 B1 5/2001 Stavrakis
6,244,309 B1 * 6/2001 Martin 141/39
2006/0042715 A1 * 3/2006 Stavrakis et al. 141/1
* cited by examiner

Primary Examiner — Cynthia Ramirez
Assistant Examiner — Gino Colan
(74) *Attorney, Agent, or Firm* — Porter Wright Morris & Arthur LLP

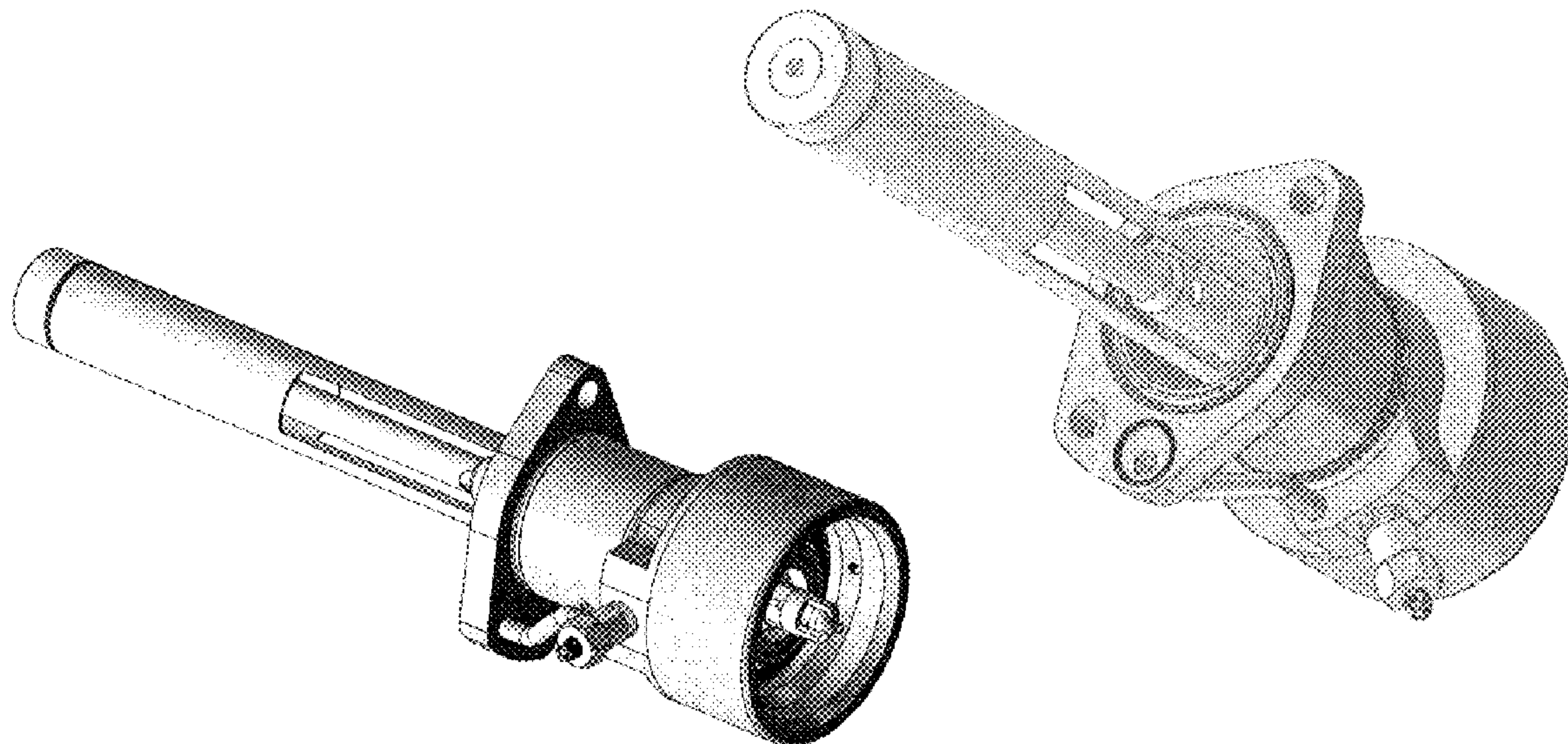
(21) Appl. No.: **29/469,835**
(22) Filed: **Oct. 15, 2013**
(51) **LOC (10) Cl.** **23-01**
(52) **U.S. Cl.**
USPC **D23/233**
(58) **Field of Classification Search**
USPC D23/233–269; 29/558, 890.126;
429/143, 147; 141/46, 287, 147, 144,
141/145, 146, 1, 39, 301, 100, 286;
137/542, 587
CPC F16K 1/306; F16K 15/035; F16K 1/307;
F16K 1/303; F16K 1/304; F16K 1/52
See application file for complete search history.

(57) **CLAIM**
The ornamental design for a filling valve, as shown and described.

DESCRIPTION

FIG. 1 is a perspective view of a filling valve according to my new design;
FIG. 2 is another perspective view thereof;
FIG. 3 is a front view thereof;
FIG. 4 is a rear view thereof;
FIG. 5 is a left side view thereof;
FIG. 6 is a right side view thereof; and,
FIG. 7 is a bottom view thereof.
The stippling in the design indicates contrast and does not indicate color.

1 Claim, 7 Drawing Sheets



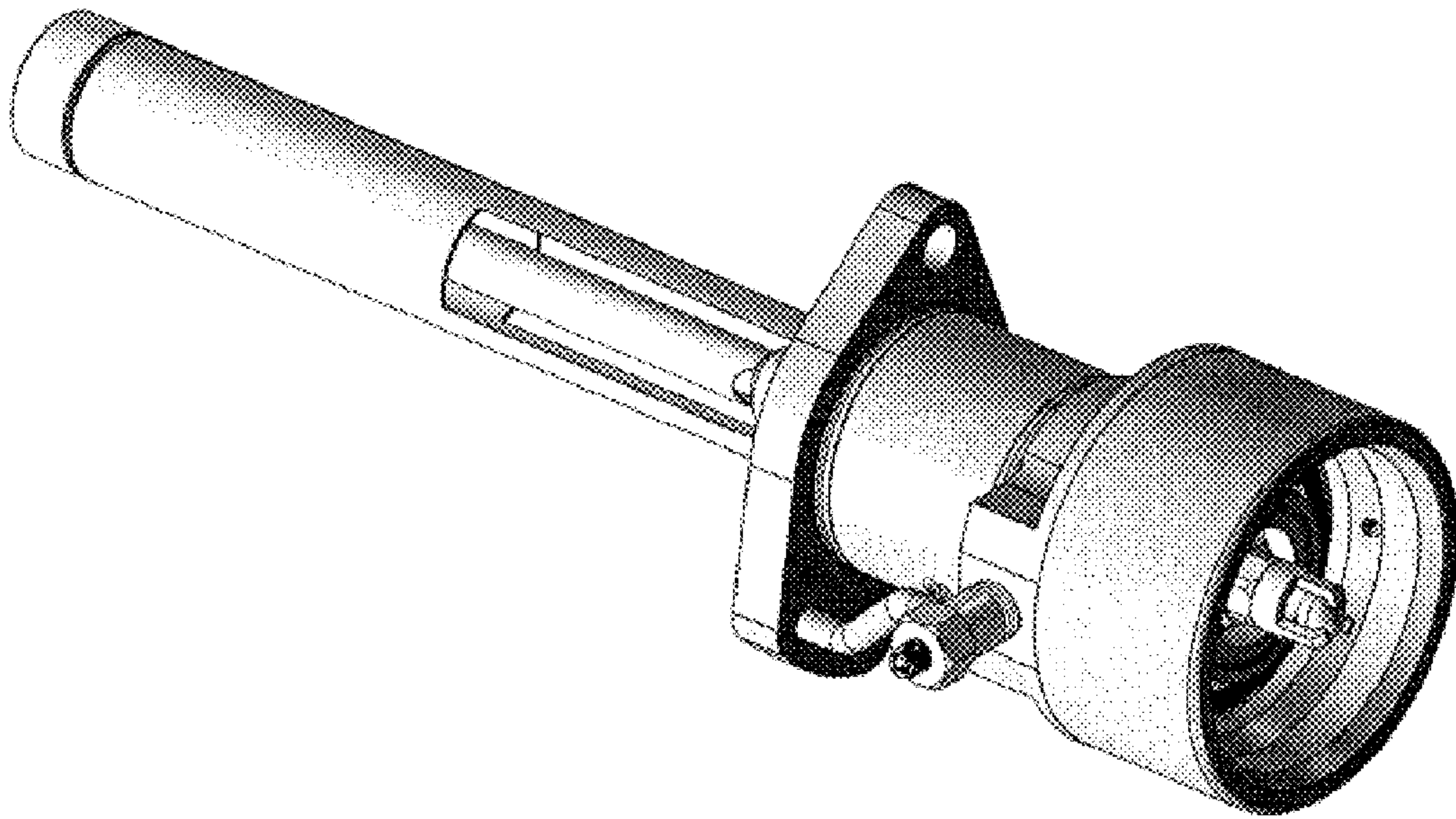


Fig. 1

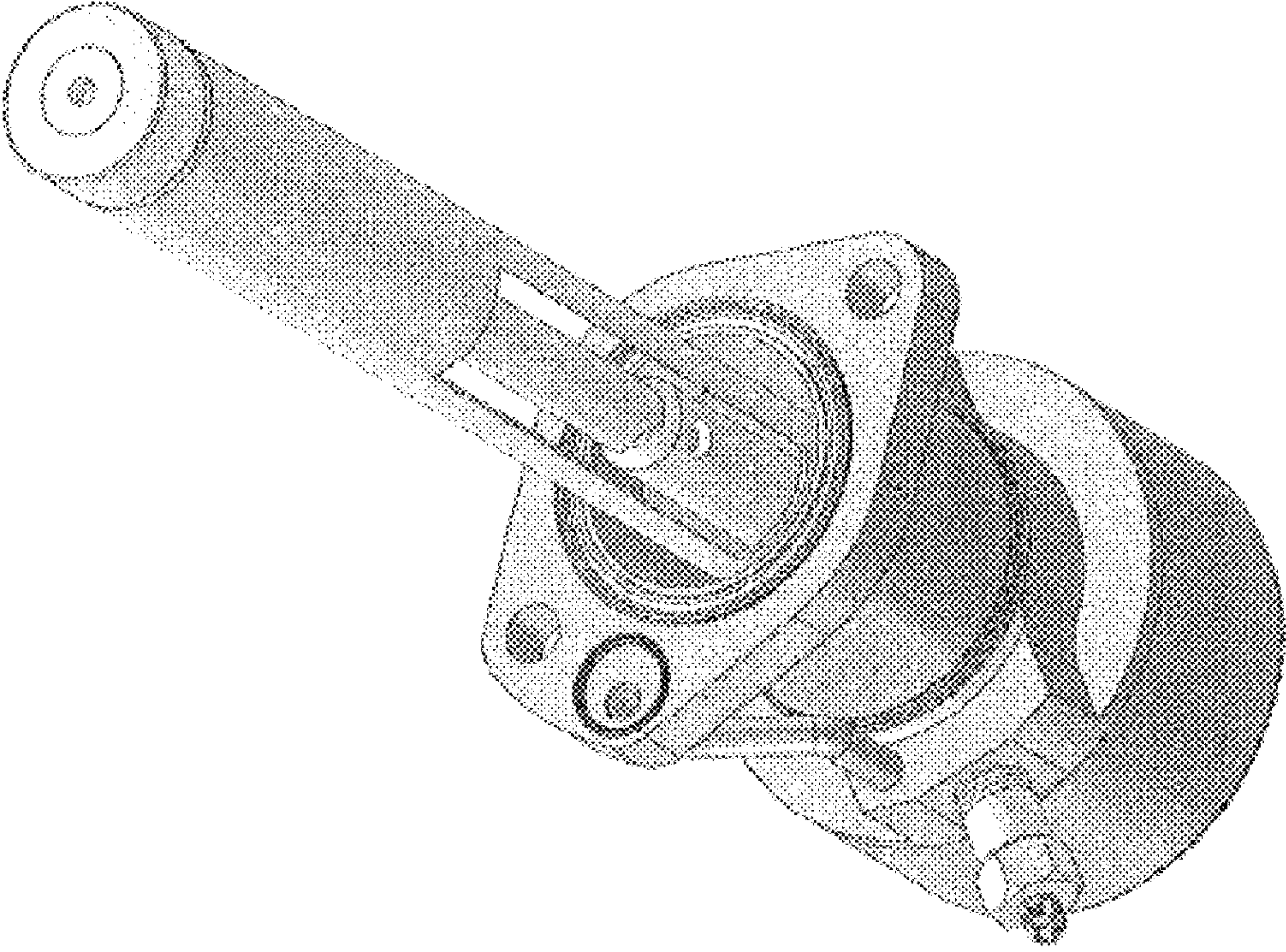


Fig. 2

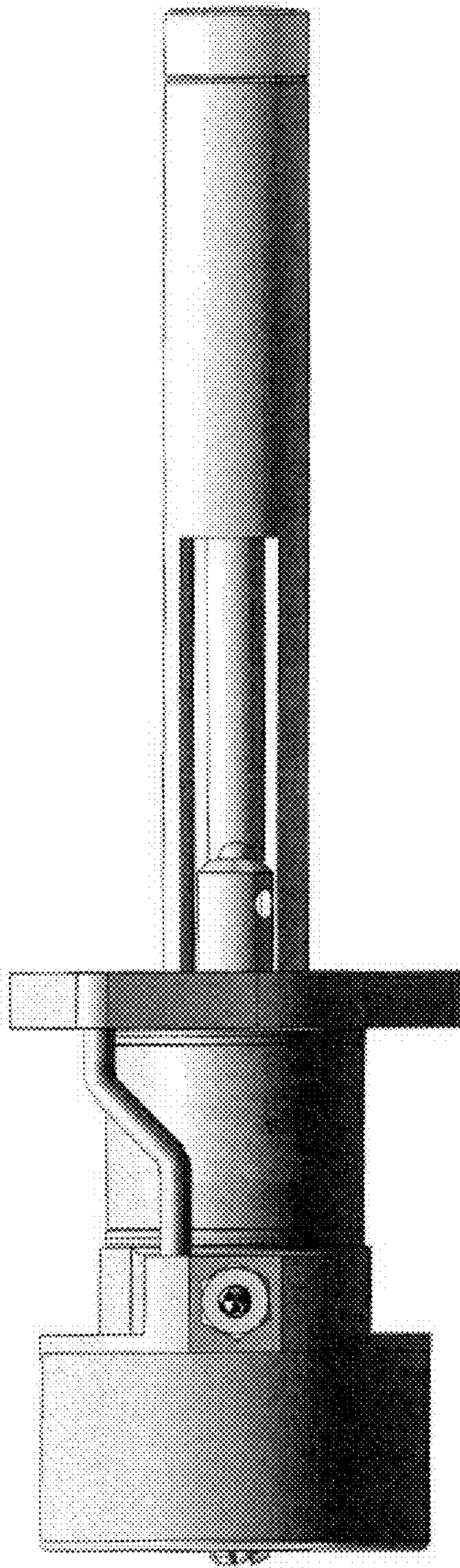


Fig. 3

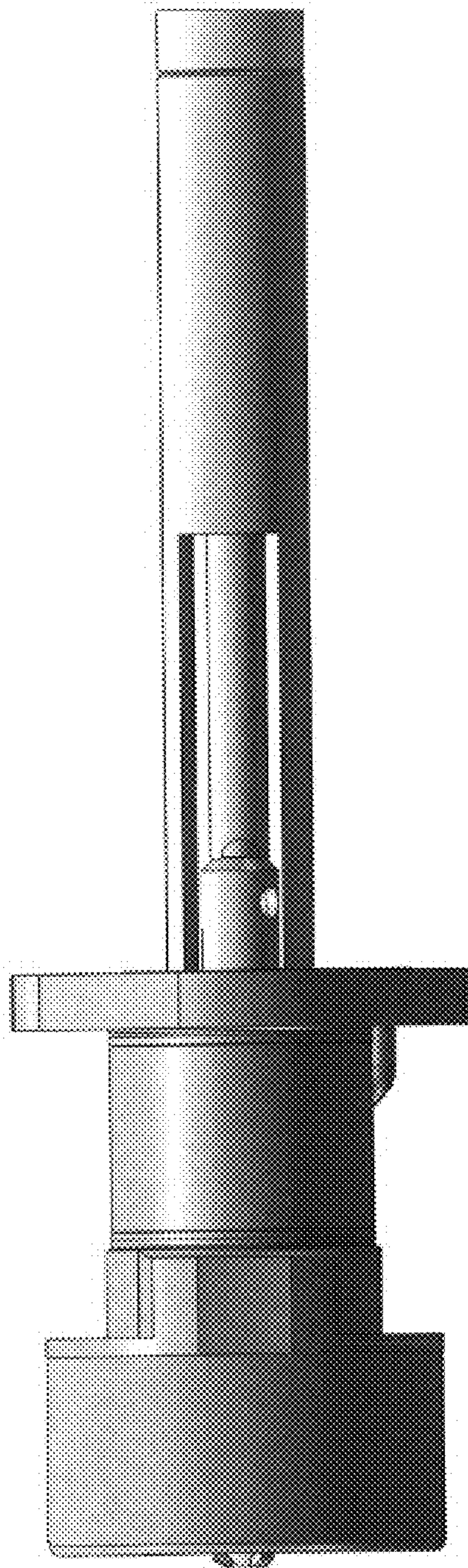


Fig. 4

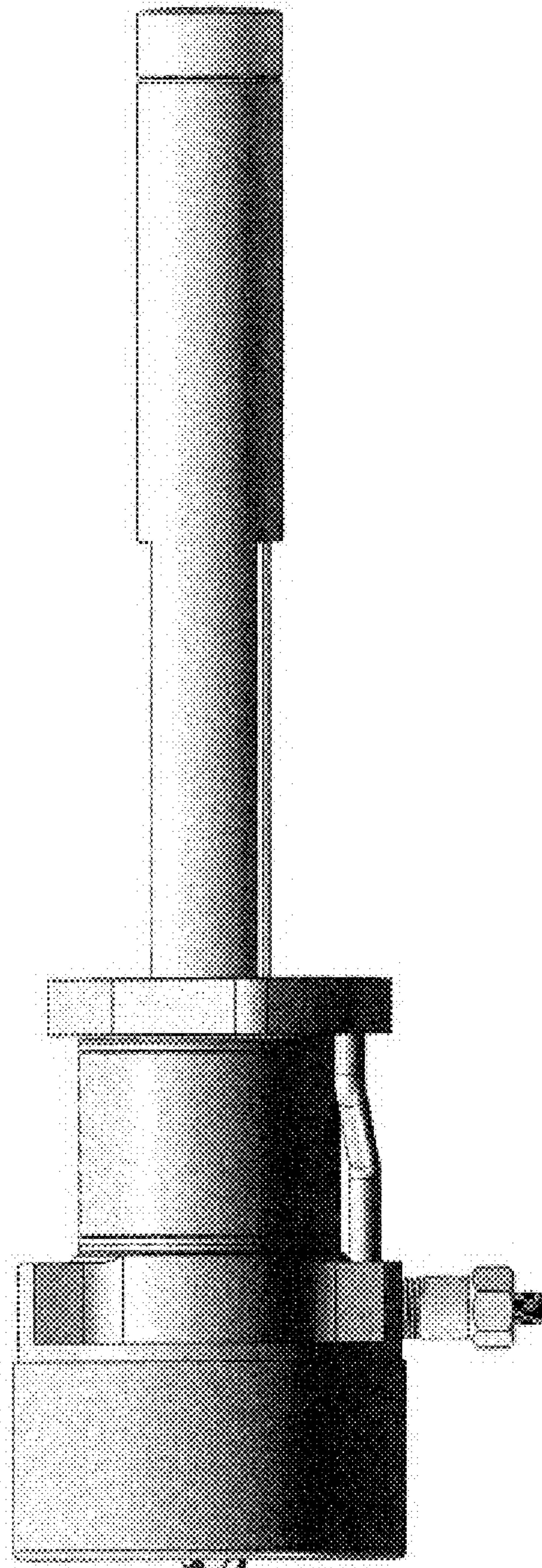


Fig. 5

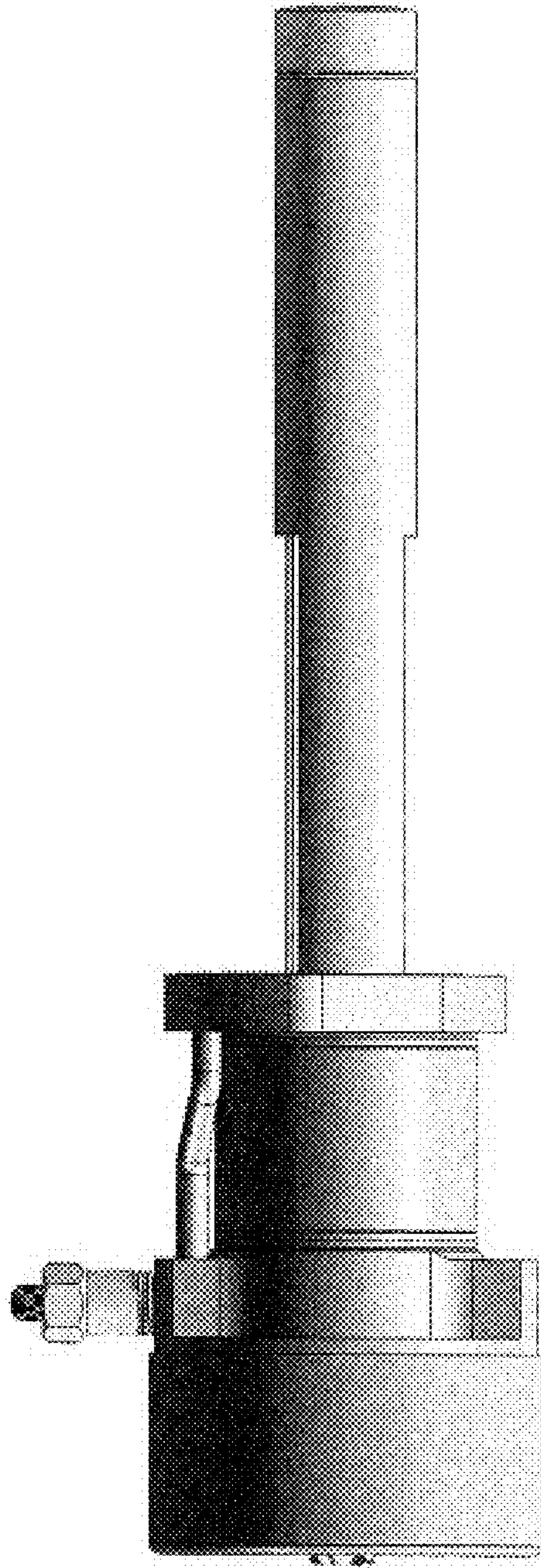


Fig. 6

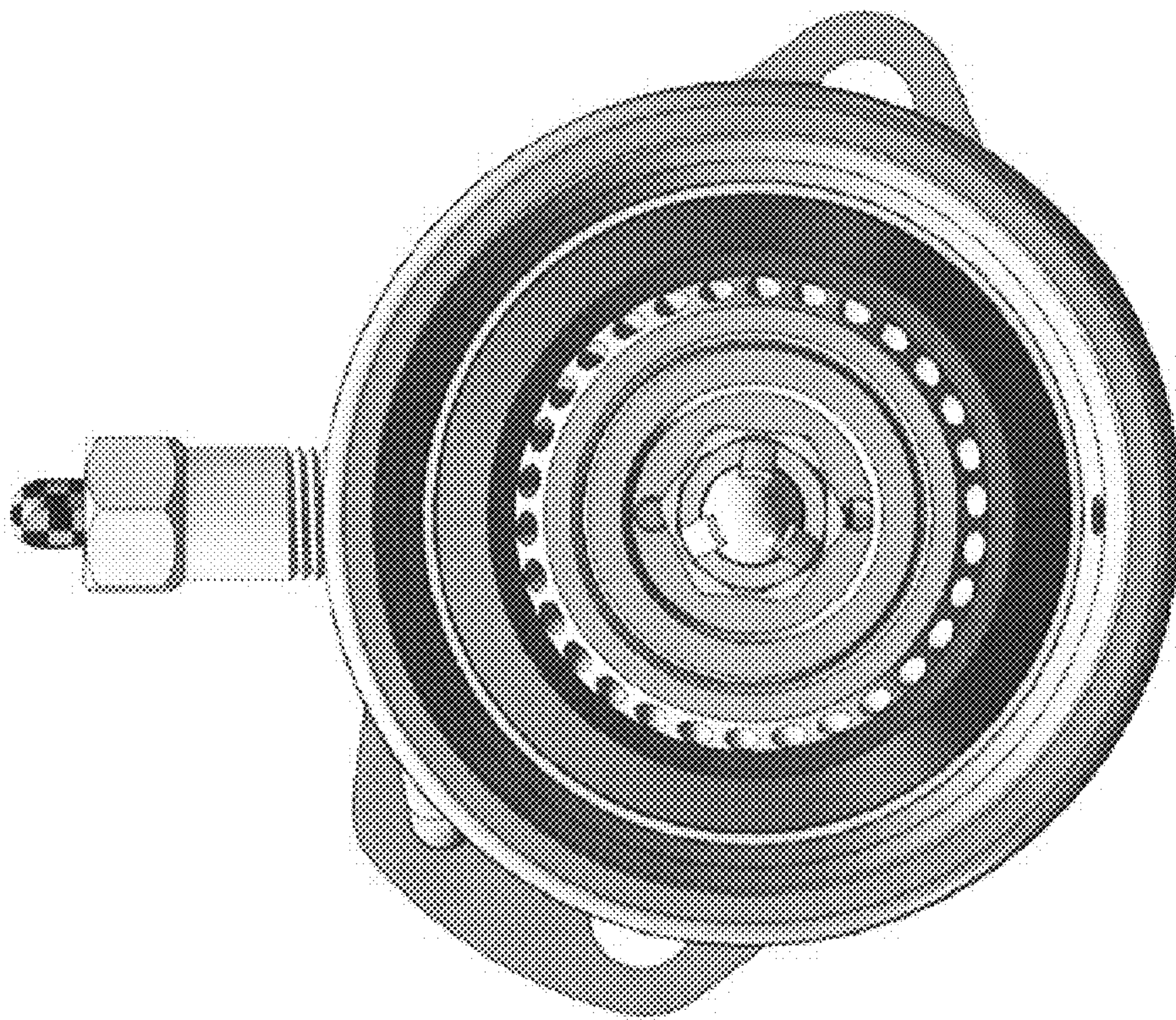


Fig. 7