



US00D755346S

(12) **United States Design Patent**
Yan

(10) **Patent No.:** **US D755,346 S**
(45) **Date of Patent:** **** May 3, 2016**

(54) **HANDSHOWER**

(71) Applicant: **XIAMEN DELMEI SANITARY WARE CO., LTD.**, Xiamen (CN)

(72) Inventor: **Yongqiang Yan**, Xiamen (CN)

(73) Assignee: **XIAMEN DELMEI SANITARY WARE CO., LTD.**, Xiamen (CN)

(**) Term: **14 Years**

(21) Appl. No.: **29/516,813**

(22) Filed: **Feb. 6, 2015**

(30) **Foreign Application Priority Data**

Oct. 24, 2014 (CN) 2014 3 0408030

(51) **LOC (10) Cl.** **23-01**

(52) **U.S. Cl.**
USPC **D23/223**

(58) **Field of Classification Search**
USPC D23/213, 223, 229, 230; 4/615, 617;
239/282, 283
CPC B05B 1/00; B05B 1/18
See application file for complete search history.

(56) **References Cited**

U.S. PATENT DOCUMENTS

D417,484 S * 12/1999 Chan D23/223
D535,354 S * 1/2007 Wu D23/223
D631,133 S * 1/2011 Yoo D23/223
8,028,935 B2 * 10/2011 Leber B05B 15/067
137/345
D652,105 S * 1/2012 Corbett D23/213

D667,928 S * 9/2012 Cutler D23/223
D672,011 S * 12/2012 Andrew D23/223
D672,433 S * 12/2012 Yoo D23/223
D680,619 S * 4/2013 Zhadanov D23/223
D681,776 S * 5/2013 Cutler D23/223
D696,382 S * 12/2013 Streitwieser D23/223
D696,383 S * 12/2013 Miller D23/223

* cited by examiner

Primary Examiner — Robin V Webster

(74) *Attorney, Agent, or Firm* — Rabin & Berdo, P.C.

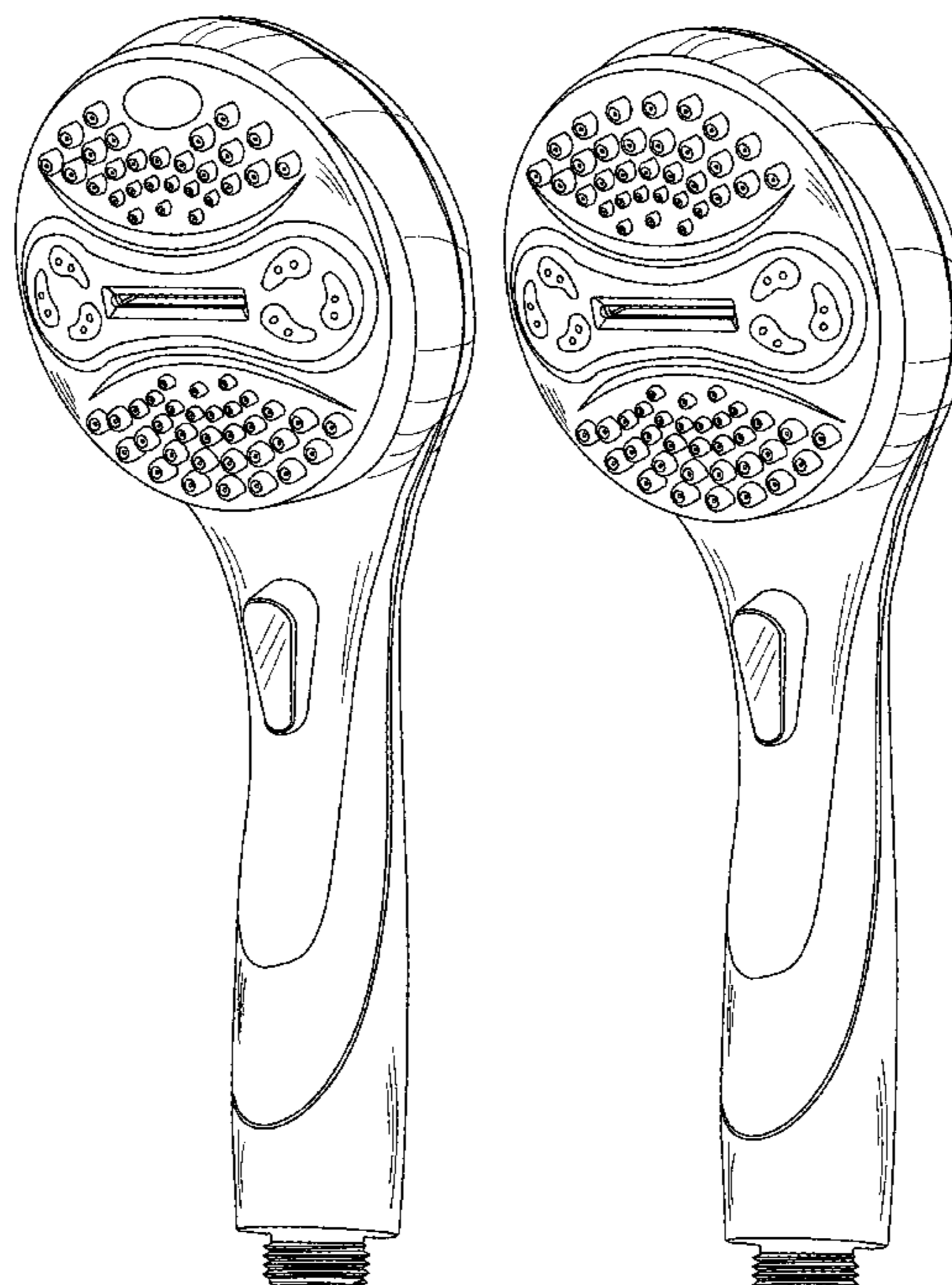
(57) **CLAIM**

The ornamental design for a handshower, as shown and described.

DESCRIPTION

FIG. 1 is a front view of a handshower showing my new design;
FIG. 2 is a rear view thereof;
FIG. 3 is a left side view thereof, the right side view being a mirror image thereof;
FIG. 4 is a top plan view thereof;
FIG. 5 is a bottom plan view thereof;
FIG. 6 is a perspective view thereof;
FIG. 7 is a front view of a second embodiment of my new design;
FIG. 8 is a rear view thereof;
FIG. 9 is a left side view thereof, the right side view being a mirror image thereof;
FIG. 10 is a top plan view thereof;
FIG. 11 is a bottom plan view thereof; and,
FIG. 12 is a perspective view thereof.

1 Claim, 12 Drawing Sheets



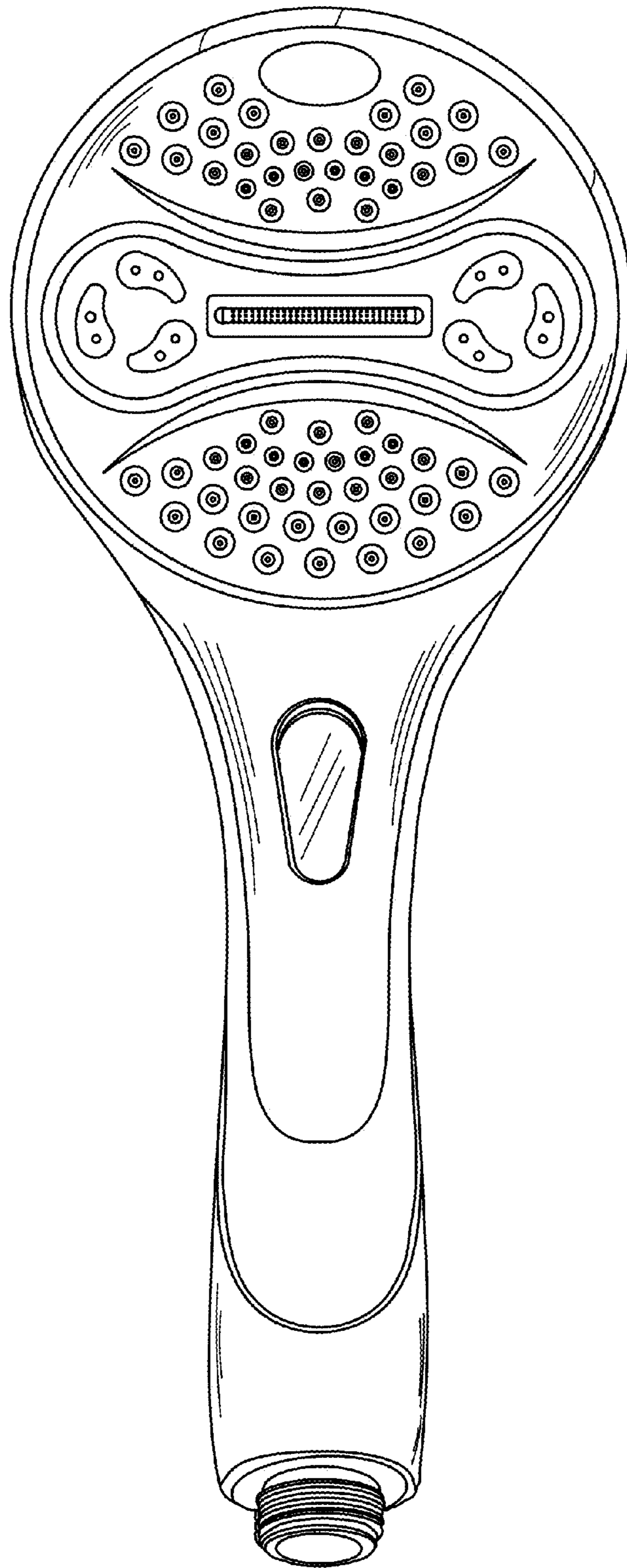


FIG. 1

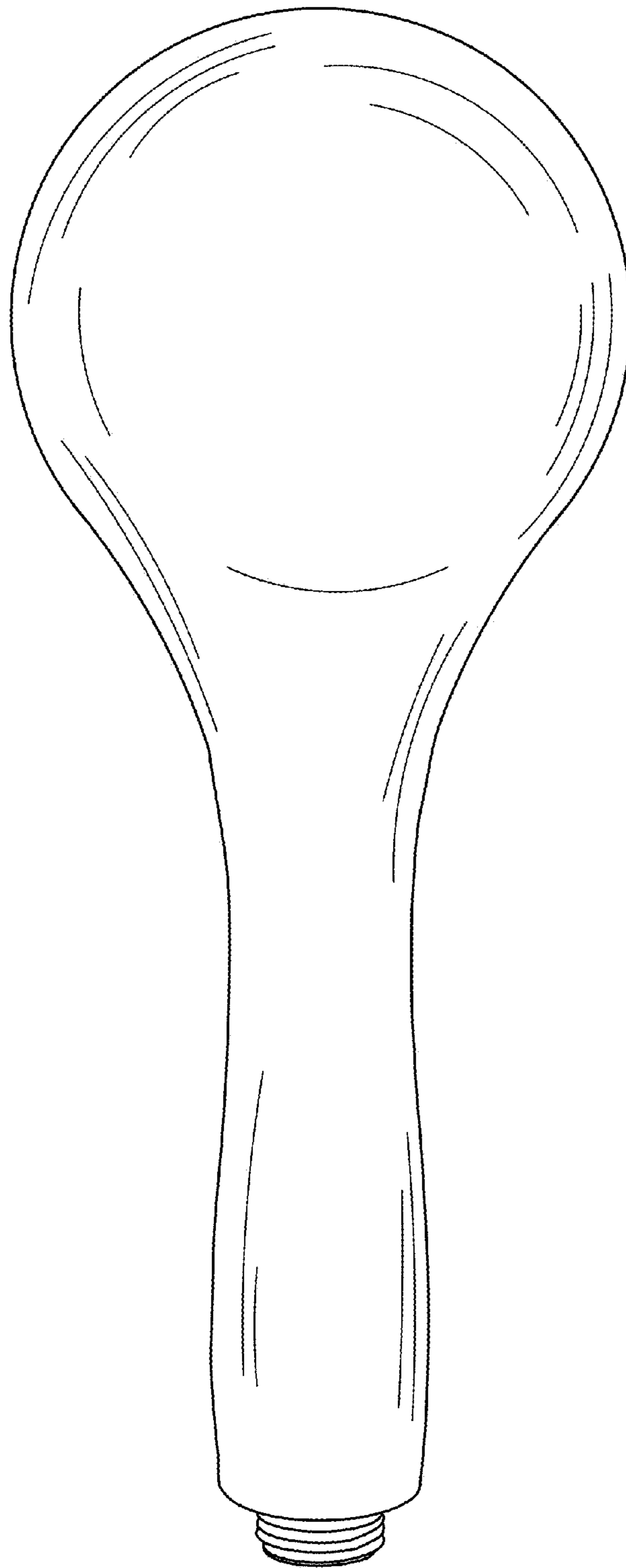


FIG. 2



FIG. 3

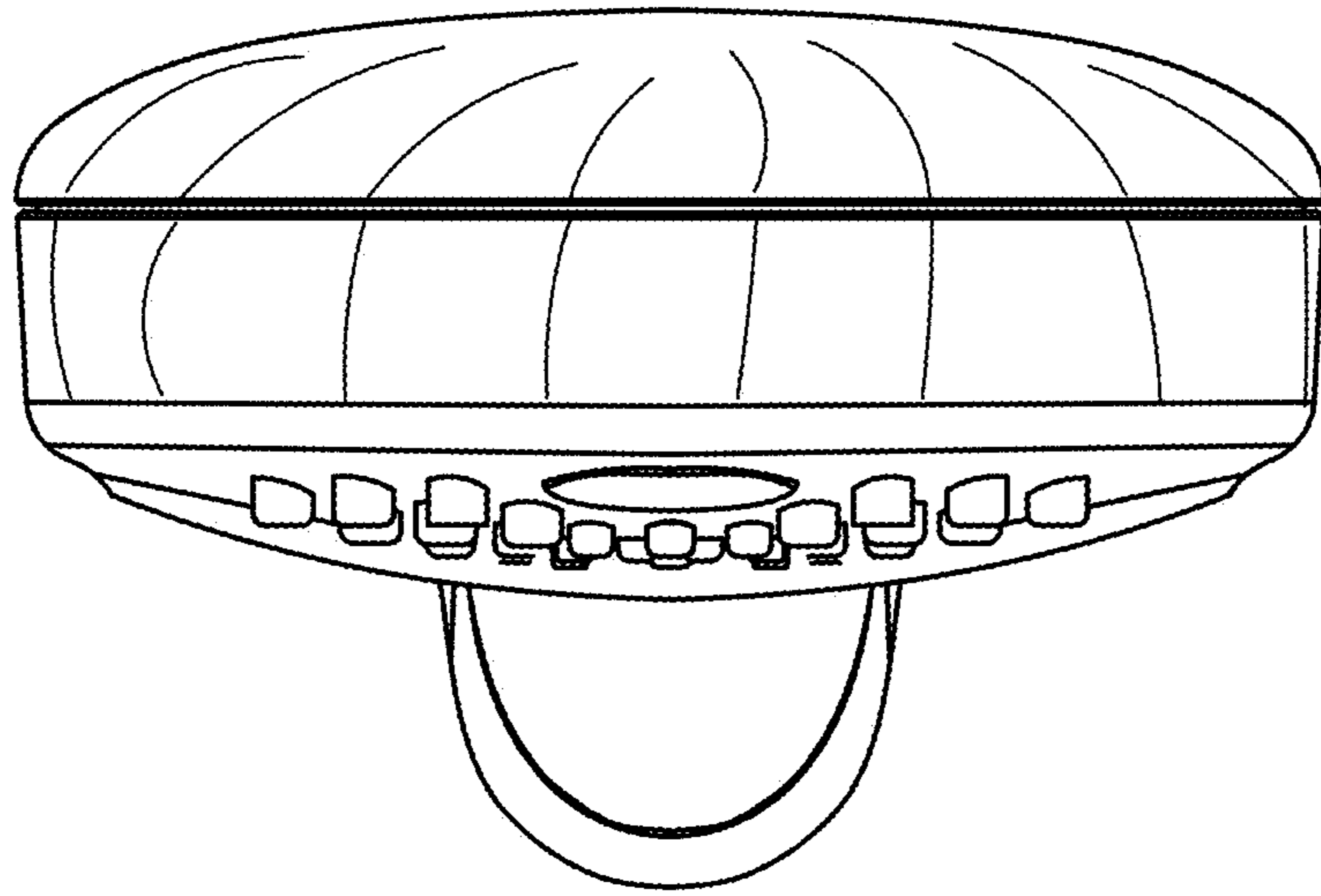


FIG. 4

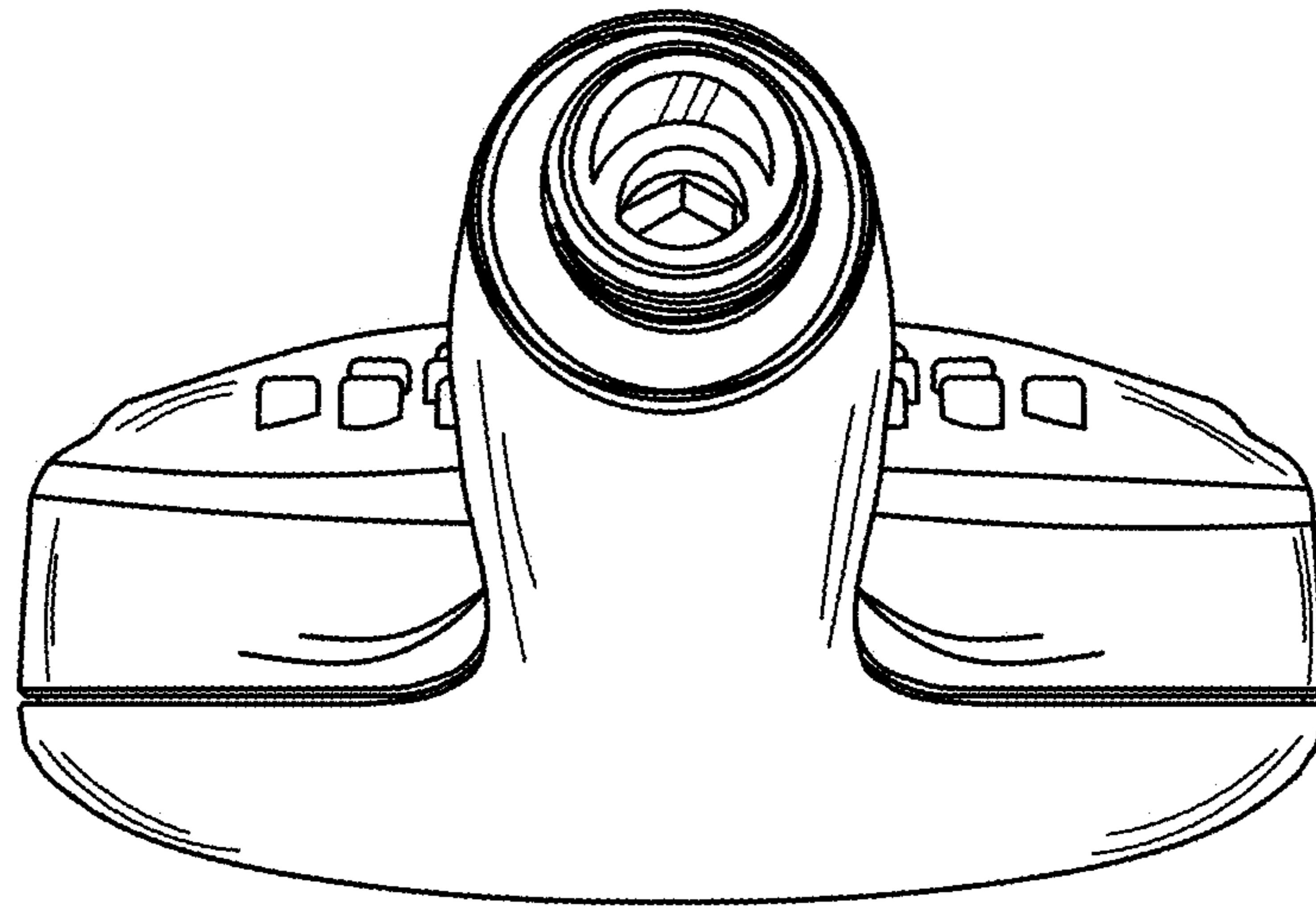


FIG. 5

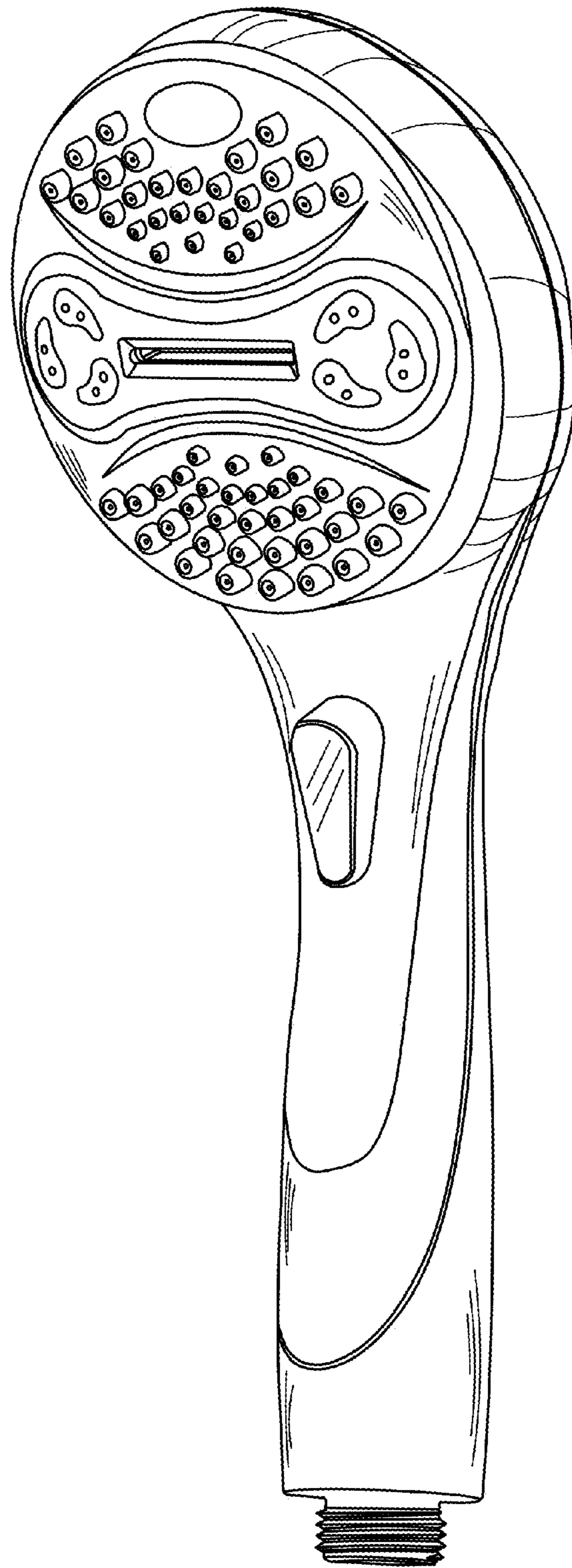


FIG. 6

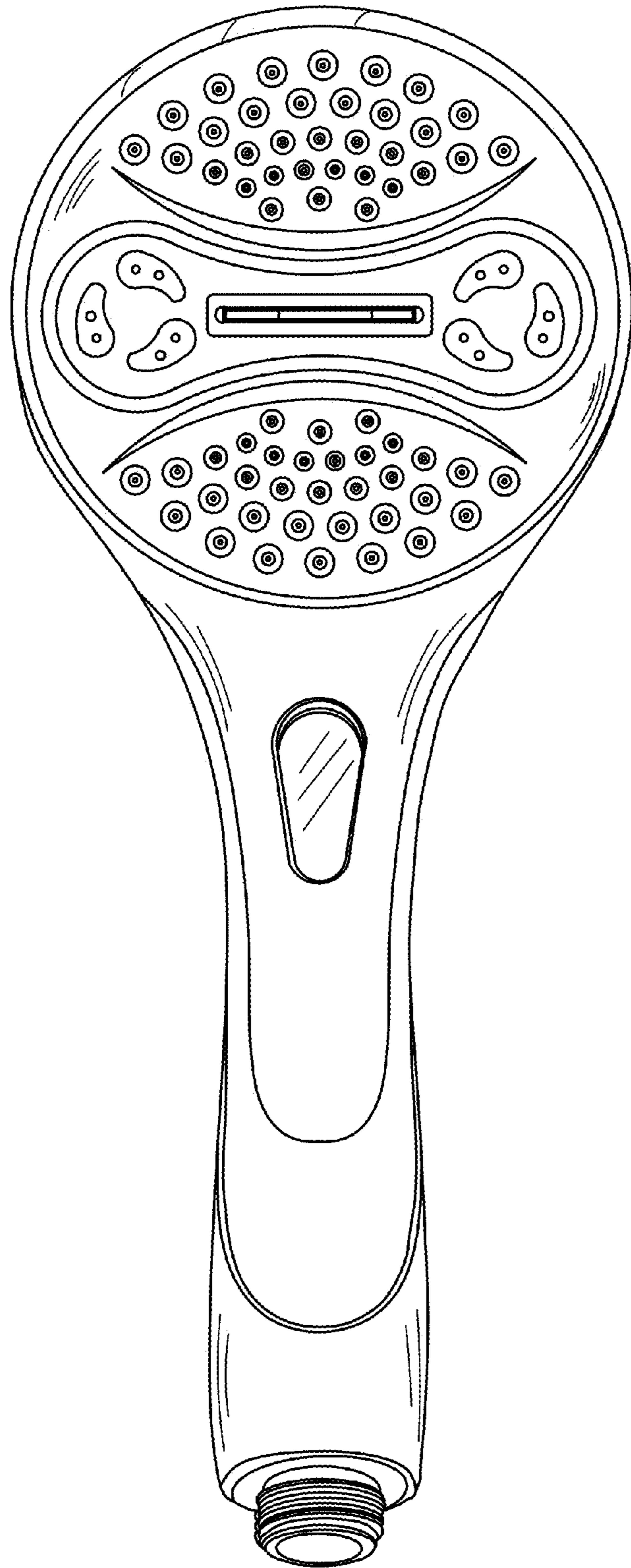


FIG. 7

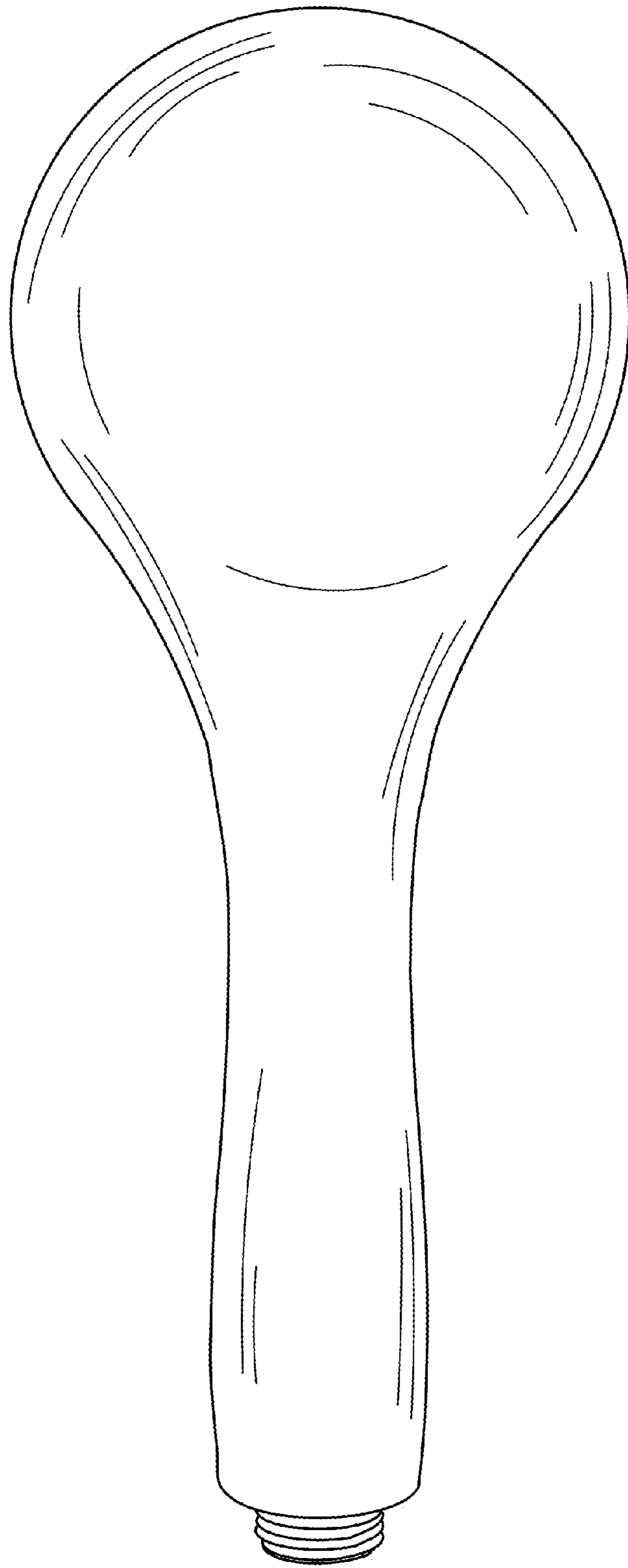


FIG. 8



FIG. 9

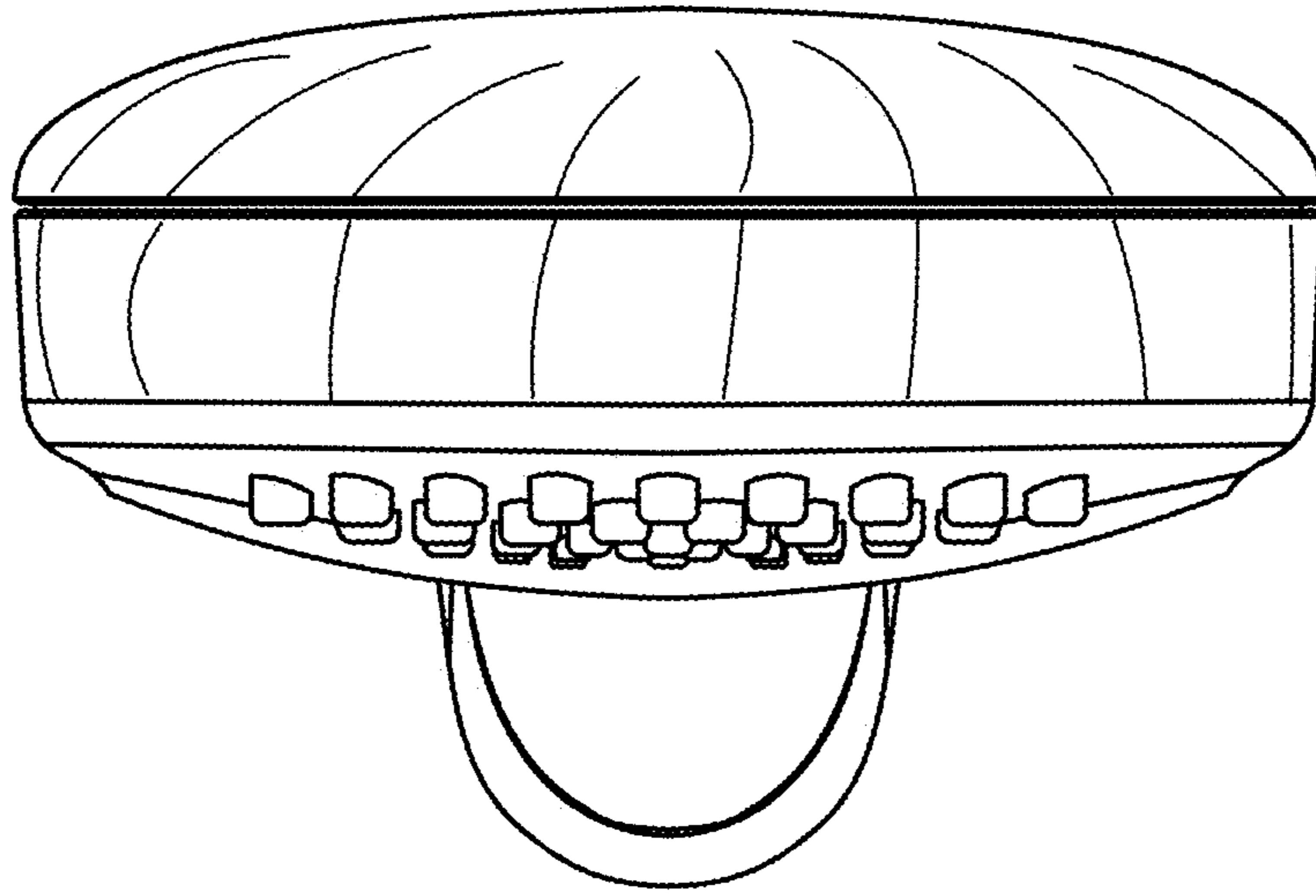


FIG. 10

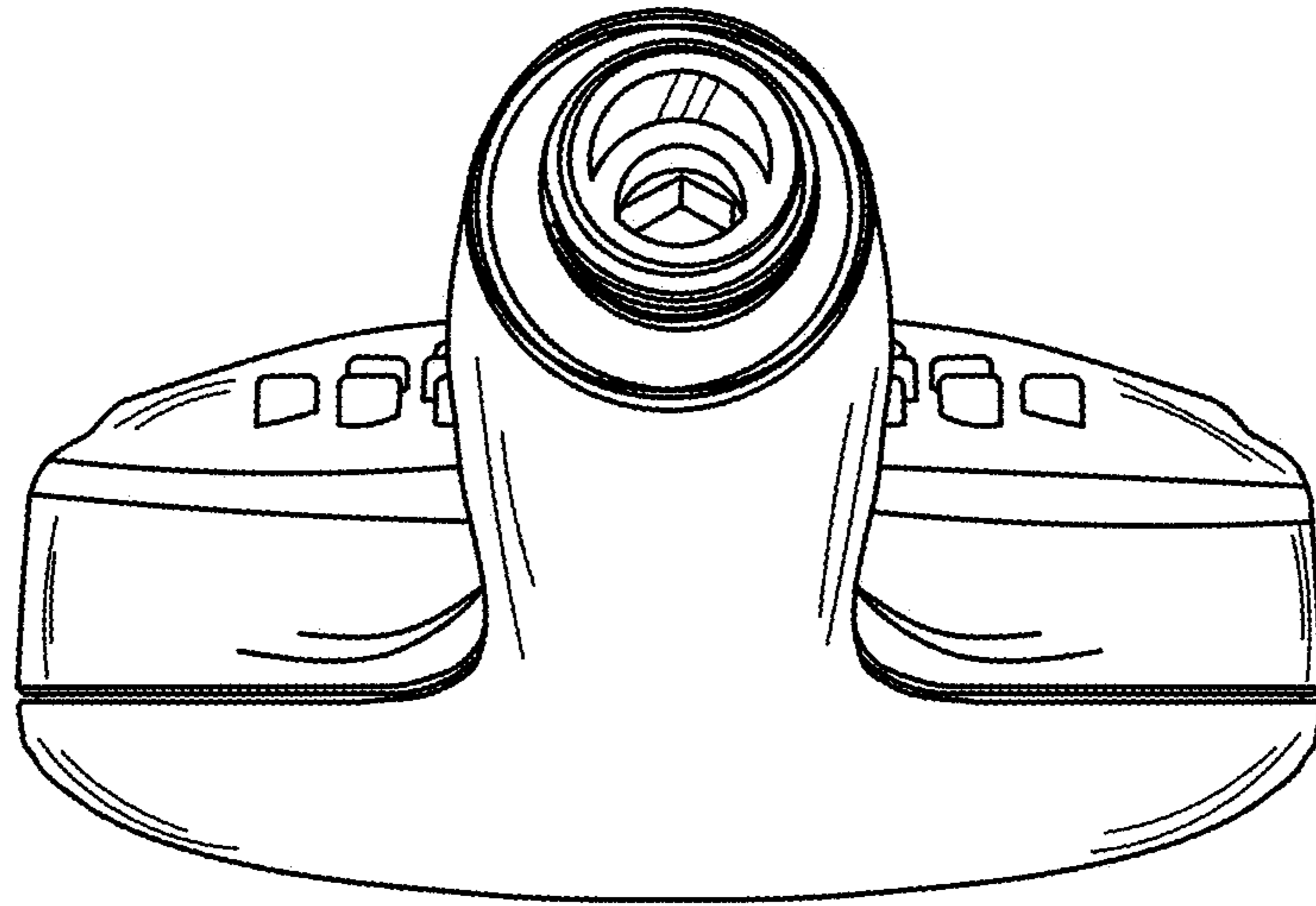


FIG. 11

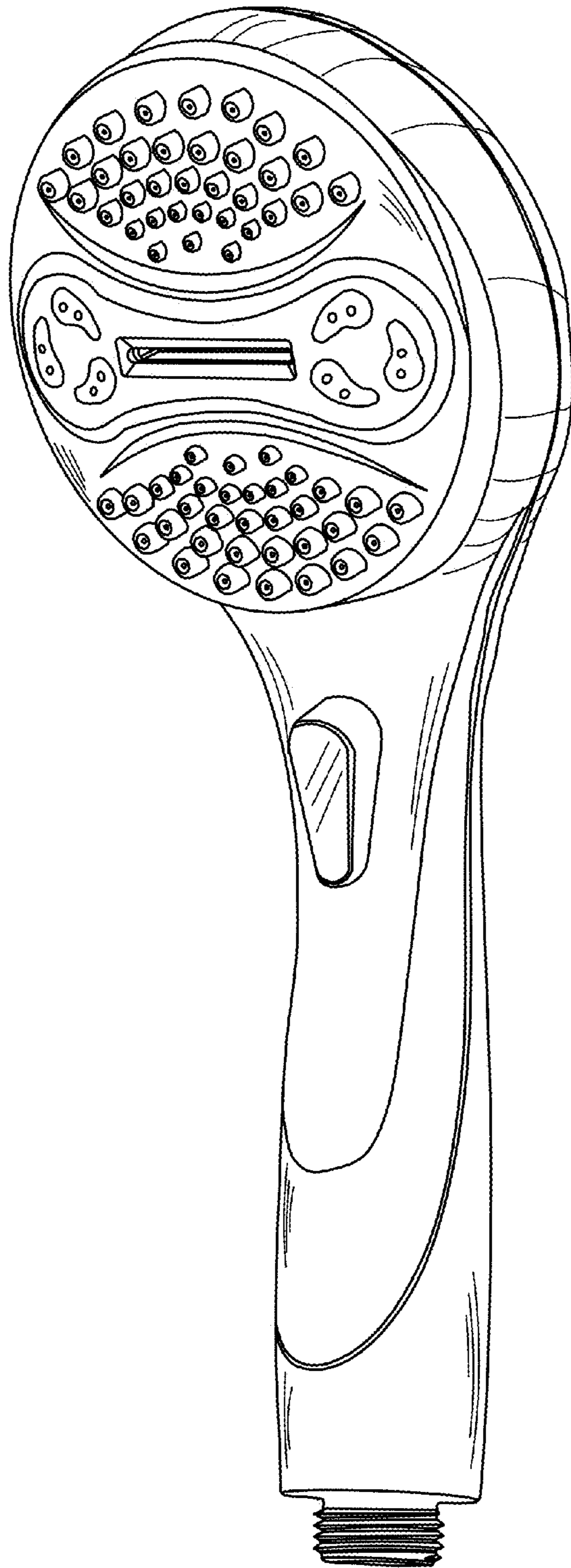


FIG. 12