



US00D755341S

(12) **United States Design Patent**  
**Hartley**

(10) **Patent No.:** **US D755,341 S**

(45) **Date of Patent:** **\*\* May 3, 2016**

(54) **LASER DEVICE**

D709,585 S \* 7/2014 Klecker ..... D22/108  
D738,987 S \* 9/2015 Hughes ..... D22/109  
2006/0162225 A1\* 7/2006 Danielson ..... F41G 1/35  
42/117

(71) Applicant: **Crimson Trace Corporation,**  
Wilsonville, OR (US)

FOREIGN PATENT DOCUMENTS

(72) Inventor: **Scott C. Hartley,** Portland, OR (US)

DE 102004045753 A1 \* 3/2006 ..... F41G 11/003

(73) Assignee: **Crimson Trace Corporation,**  
Wilsonville, OR (US)

\* cited by examiner

(\*\*) Term: **14 Years**

*Primary Examiner* — Michael A Pratt

(21) Appl. No.: **29/506,299**

(74) *Attorney, Agent, or Firm* — Schwabe, Williamson &  
Wyatt, P.C.

(22) Filed: **Oct. 14, 2014**

(51) **LOC (10) Cl.** ..... **22-01**

(52) **U.S. Cl.**  
USPC ..... **D22/109**

(58) **Field of Classification Search**  
USPC ..... D22/108–109  
CPC ..... F41G 1/35; F41G 11/003; F41G 1/00;  
F41G 1/36; F41G 1/34; F41G 3/26  
See application file for complete search history.

(57) **CLAIM**  
I claim an ornamental design for a laser device, as shown and  
described.

**DESCRIPTION**

(56) **References Cited**

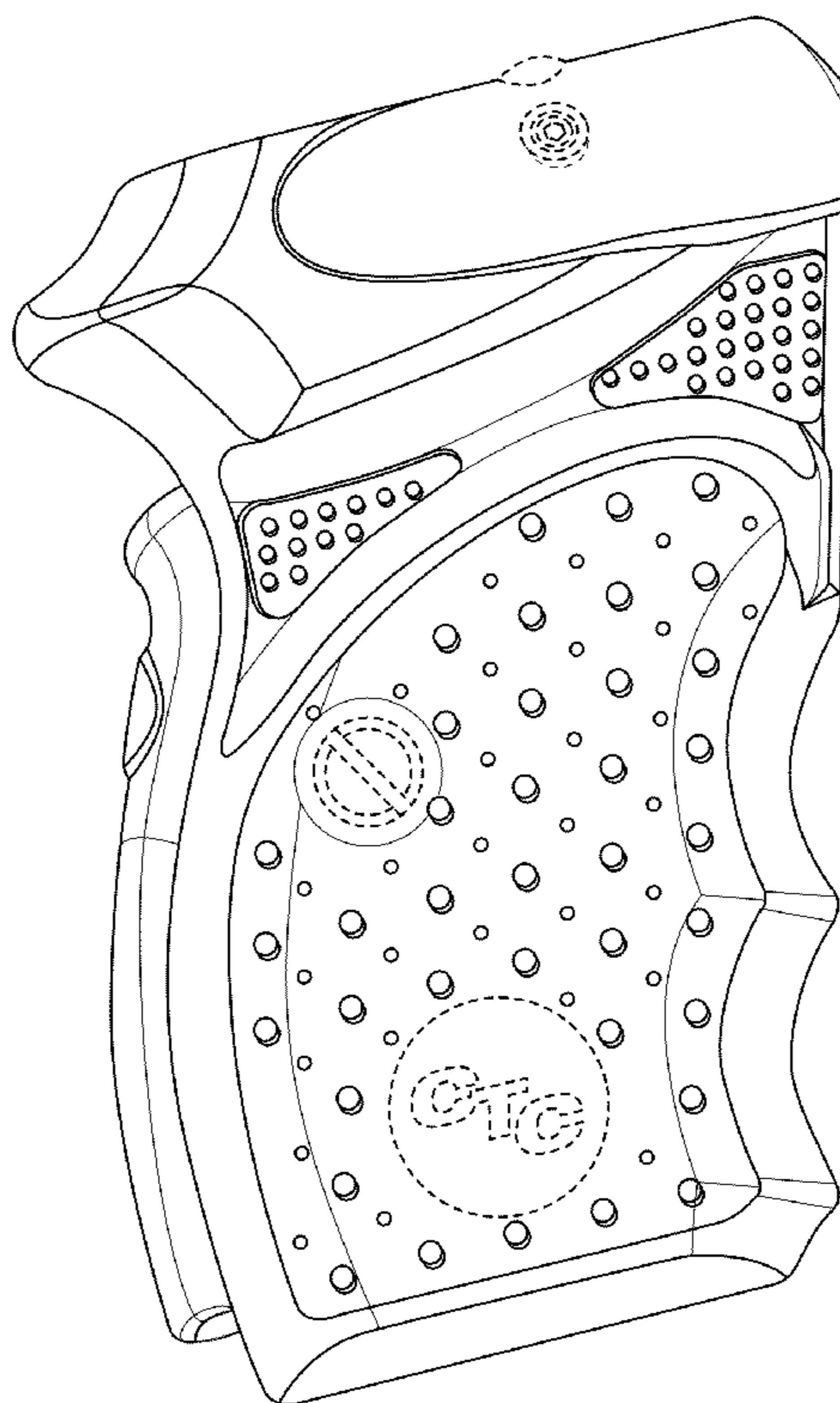
U.S. PATENT DOCUMENTS

7,805,876 B1 \* 10/2010 Danielson ..... F41C 23/10  
362/114  
D669,552 S \* 10/2012 Essig ..... D22/108  
D669,957 S \* 10/2012 Hughes ..... D22/108  
D689,162 S \* 9/2013 Hilbourne ..... D22/109

FIG. 1 is a perspective view of a laser device, showing our  
new design;  
FIG. 2 is a front view thereof;  
FIG. 3 is a rear view thereof;  
FIG. 4 is a right side view thereof;  
FIG. 5 is a left side view thereof;  
FIG. 6 is a top view thereof;  
FIG. 7 is a bottom view thereof; and,  
FIG. 8 is a perspective view of the laser device, shown  
mounted on a firearm.

The dashed lines are included for illustrating interior and/or  
environmental structures and form no part of the claimed  
design.

**1 Claim, 8 Drawing Sheets**



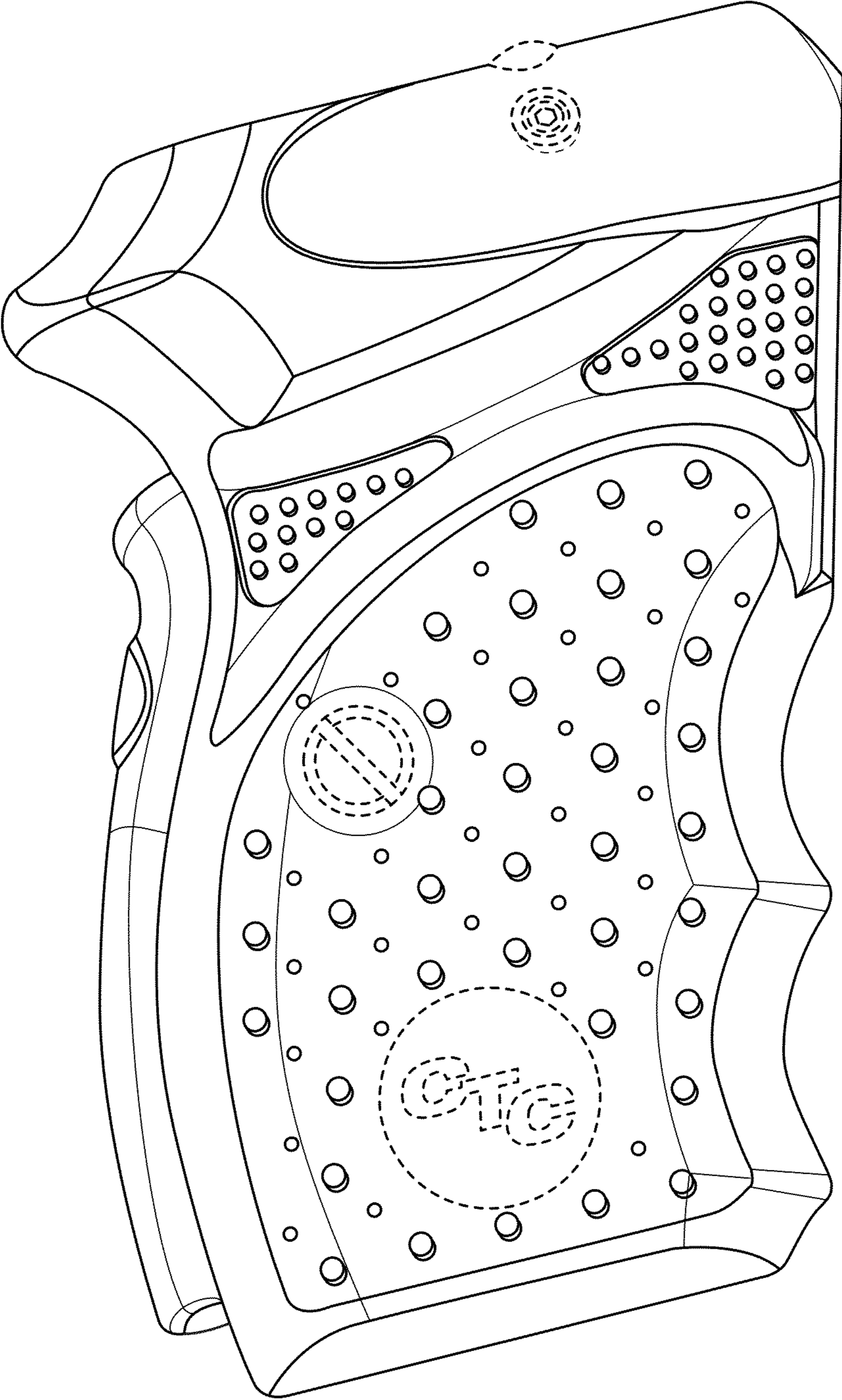


FIG. 1

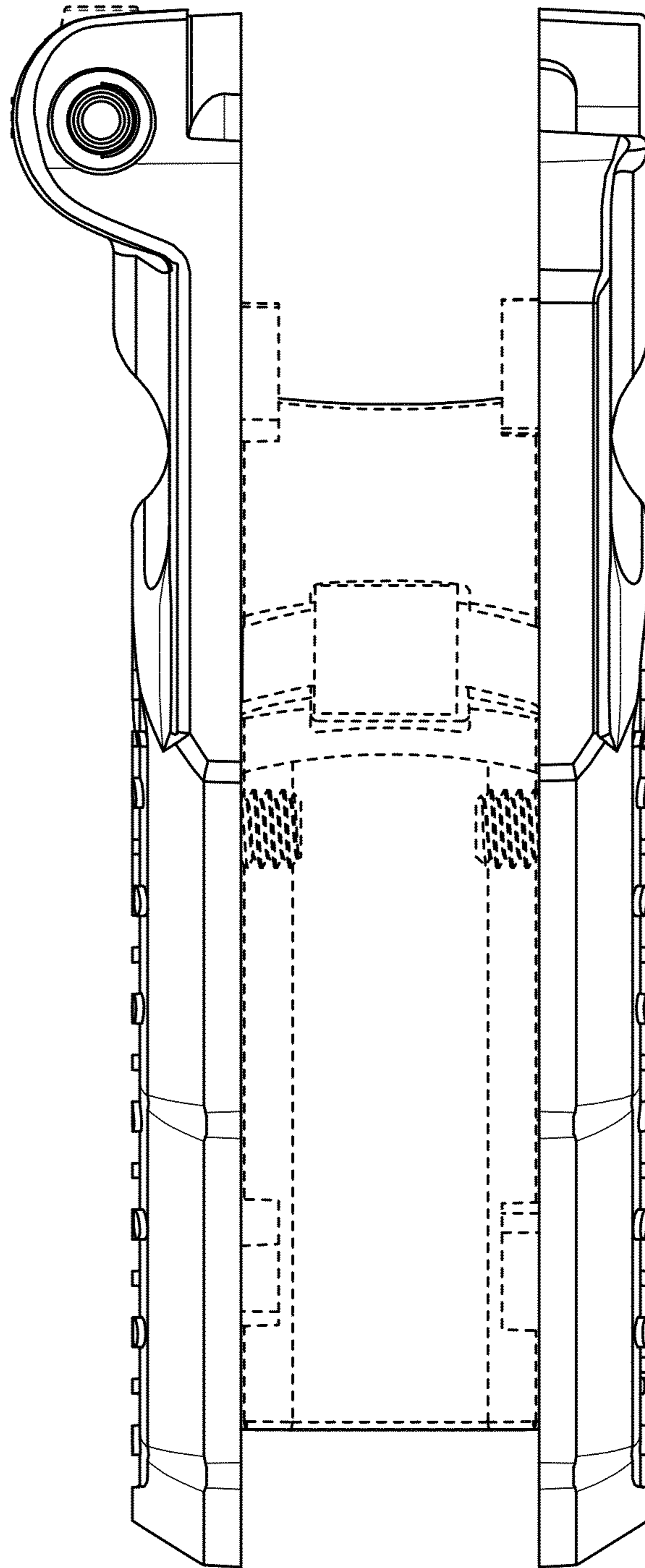


FIG. 2



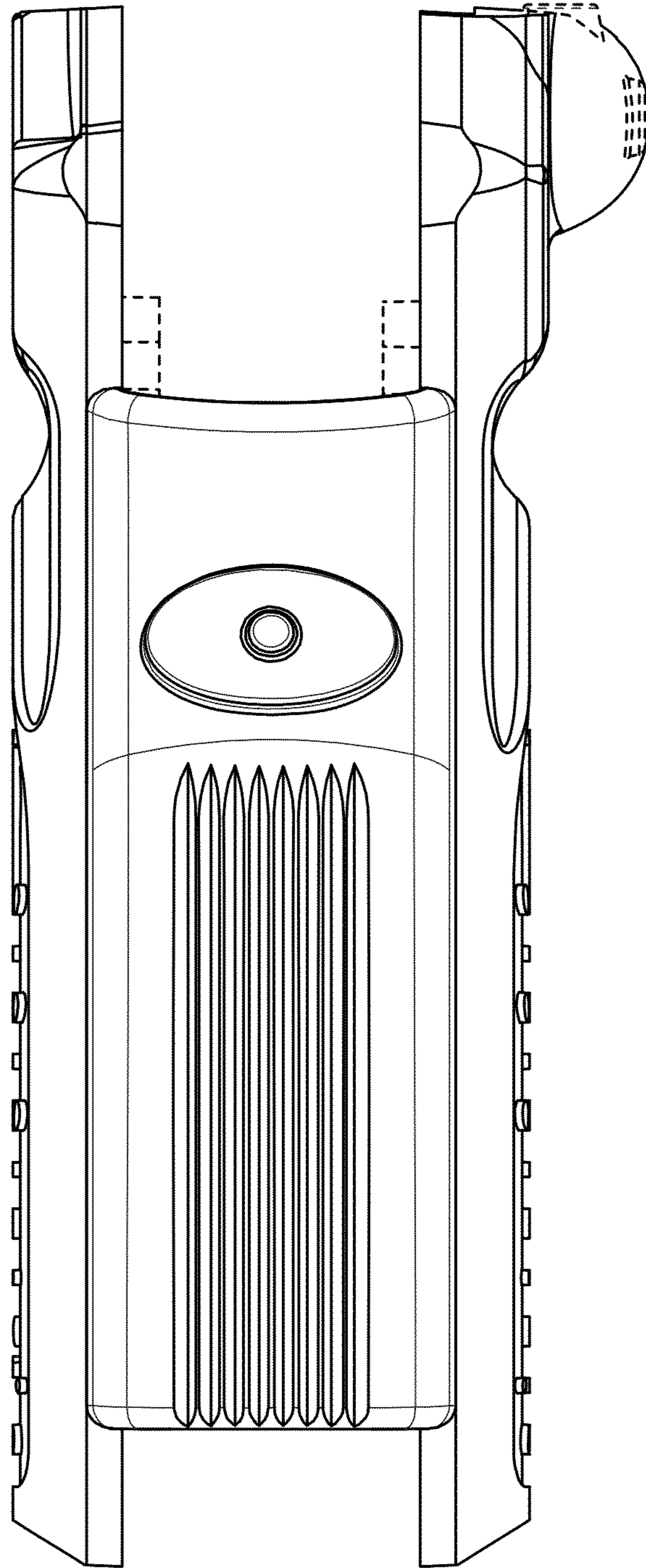


FIG. 3

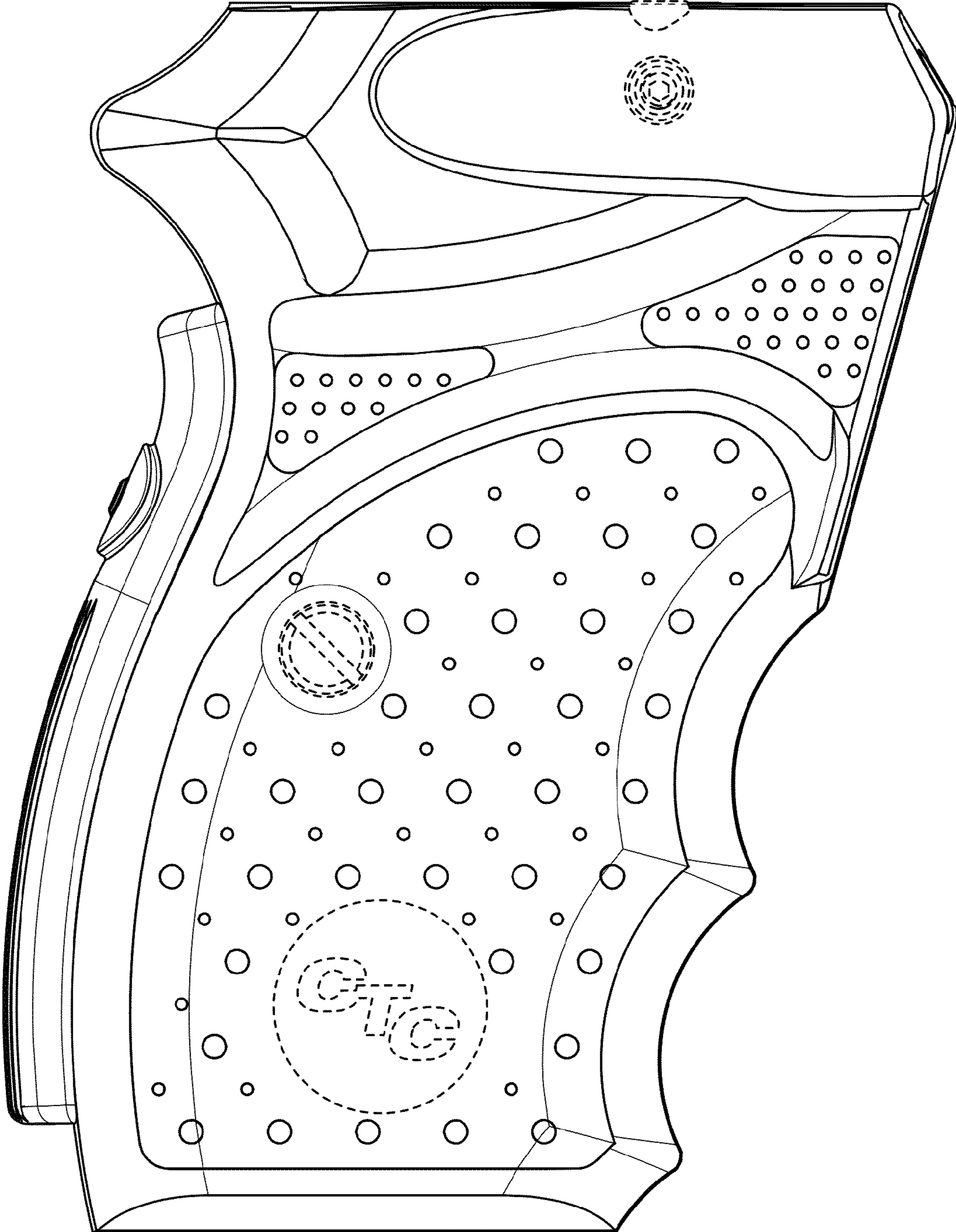


FIG. 4

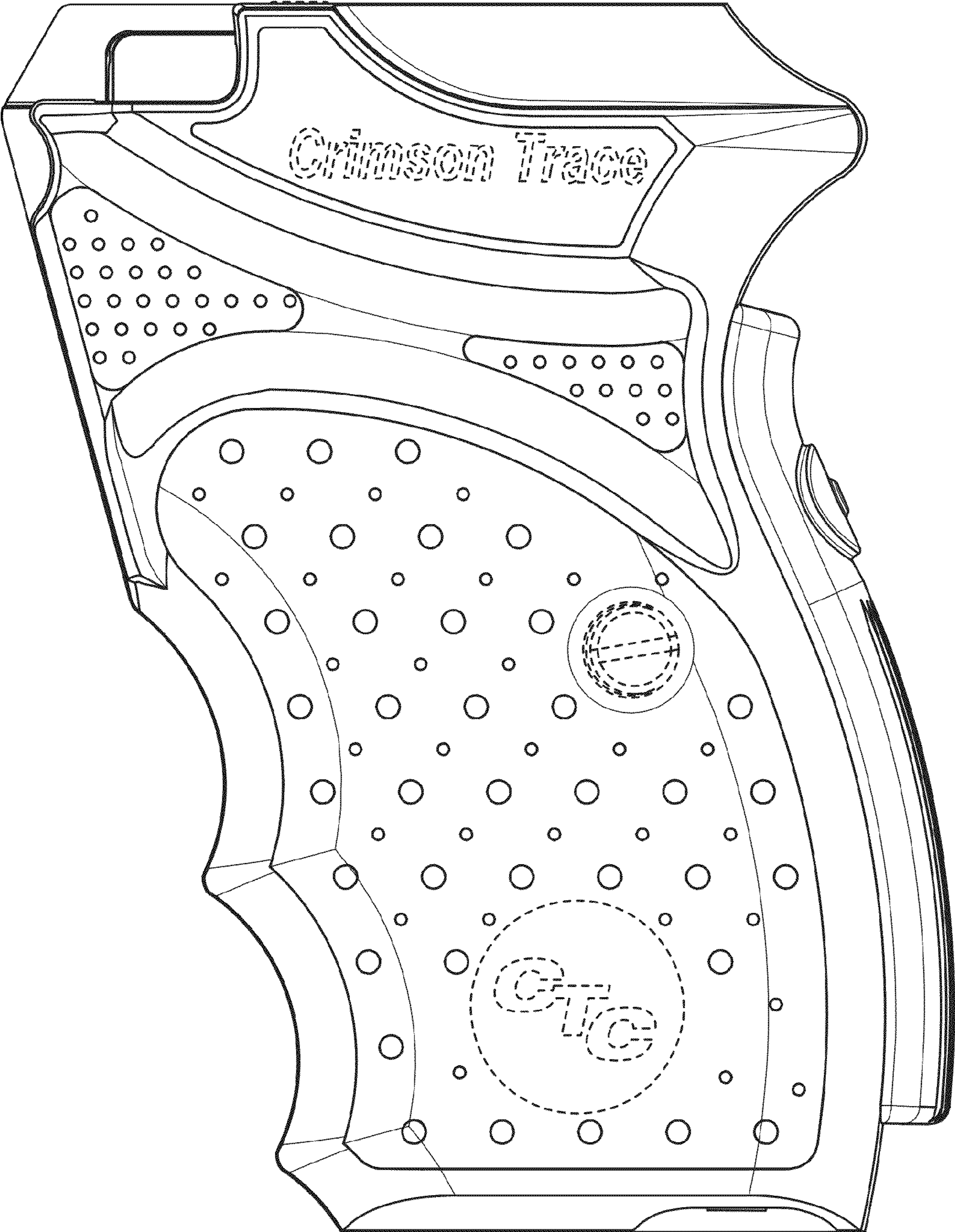


FIG. 5



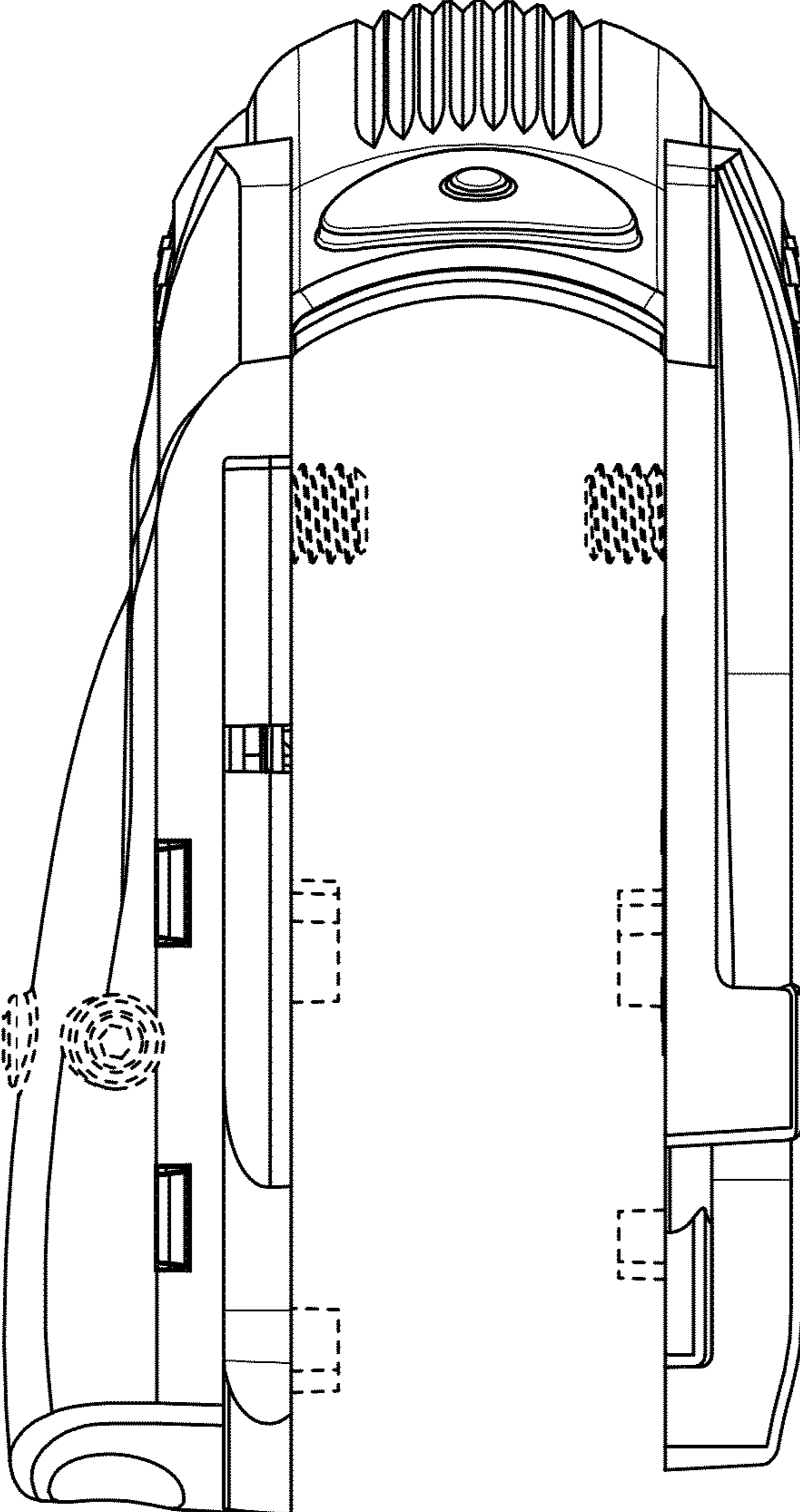


FIG. 6

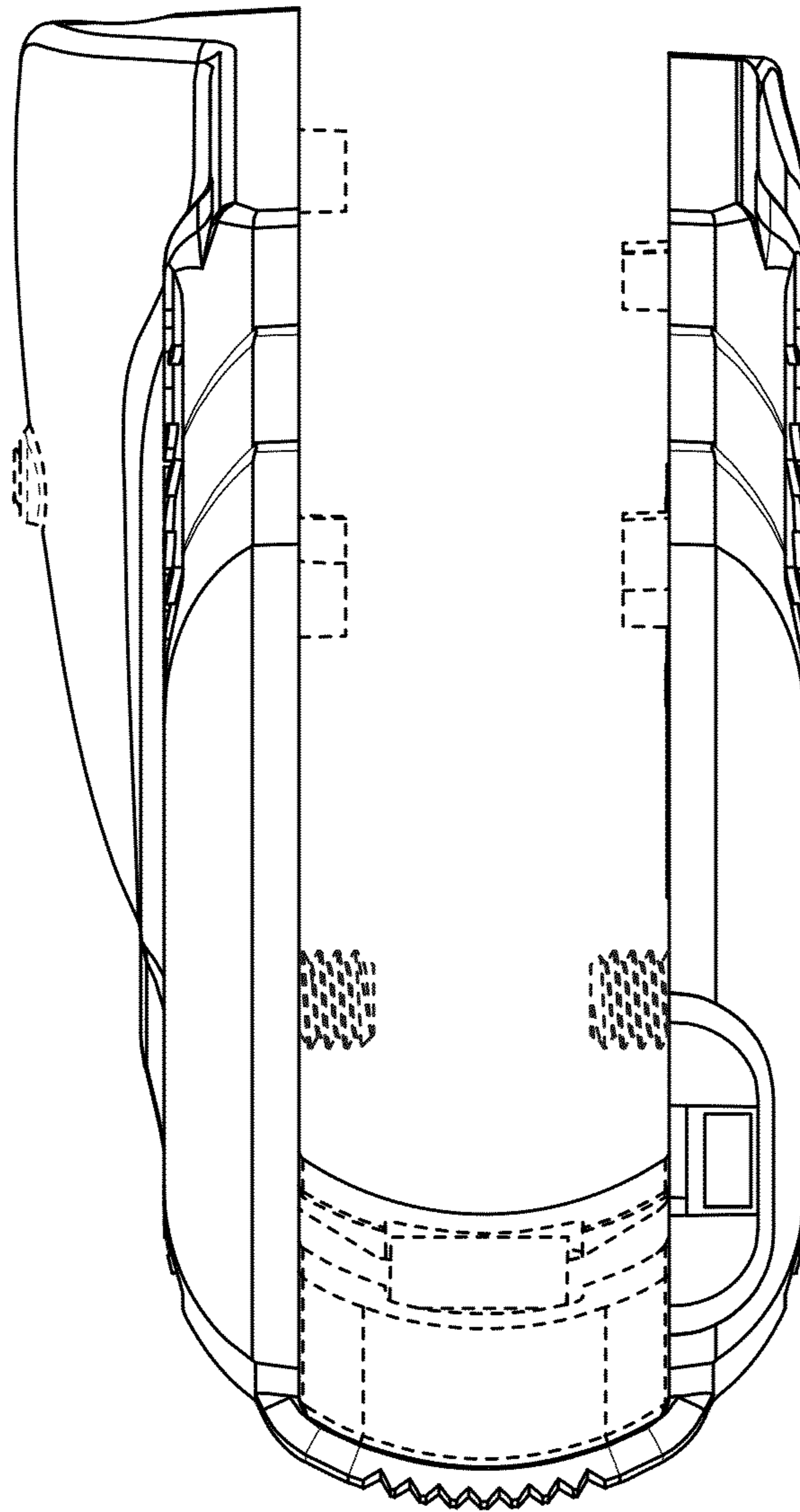


FIG. 7



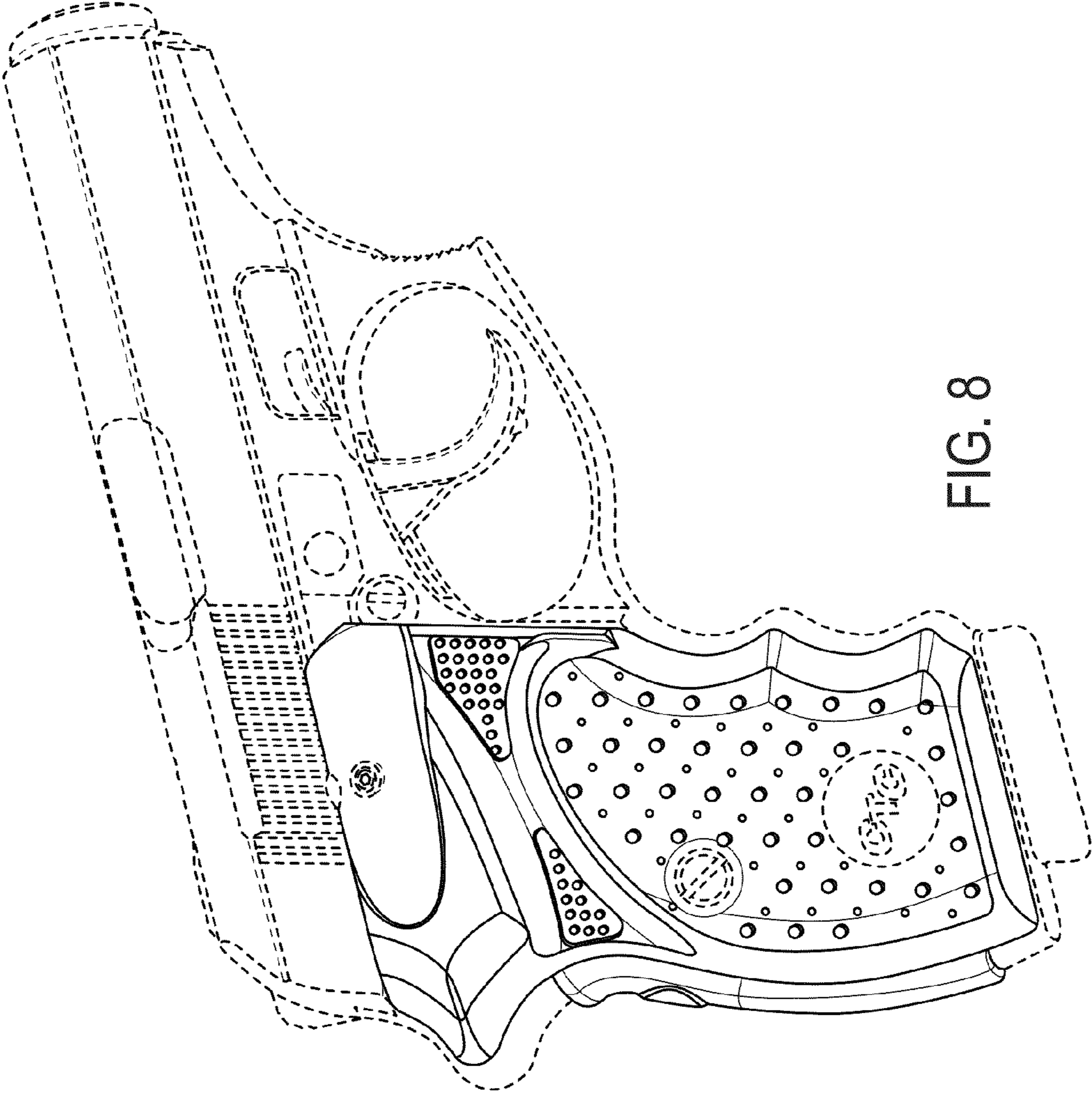


FIG. 8