



US00D755340S

(12) **United States Design Patent**
Essig

(10) **Patent No.:** **US D755,340 S**
(45) **Date of Patent:** **** May 3, 2016**

(54) **LASER DEVICE**
(71) Applicant: **Crimson Trace Corporation,**
Wilsonville, OR (US)
(72) Inventor: **Drew Essig,** Tigard, OR (US)
(73) Assignee: **Crimson Trace Corporation,**
Wilsonville, OR (US)

(**) Term: **14 Years**
(21) Appl. No.: **29/506,297**

(22) Filed: **Oct. 14, 2014**
(51) **LOC (10) Cl.** **22-01**
(52) **U.S. Cl.**
USPC **D22/109**
(58) **Field of Classification Search**
USPC D22/108-109
CPC F41G 1/35; F41G 11/003; F41G 1/00;
F41G 1/36; F41G 1/34; F41G 3/26
See application file for complete search history.

(56) **References Cited**
U.S. PATENT DOCUMENTS
6,385,893 B1 * 5/2002 Cheng F41G 11/001
42/124
D612,756 S * 3/2010 D'Amelio D10/70
D612,757 S * 3/2010 D'Amelio D10/70
D672,005 S * 12/2012 Hedeem D22/109
D675,281 S * 1/2013 Speroni D22/109
D729,339 S * 5/2015 Chavez D22/109

D738,455 S * 9/2015 Homem de Mello
Anderson D22/109
D740,388 S * 10/2015 Klecker D22/109
D742,991 S * 11/2015 Klecker D22/109
2012/0047787 A1 * 3/2012 Curry F41G 1/35
42/115
2015/0276352 A1 * 10/2015 Chang F41G 11/004
42/114

* cited by examiner

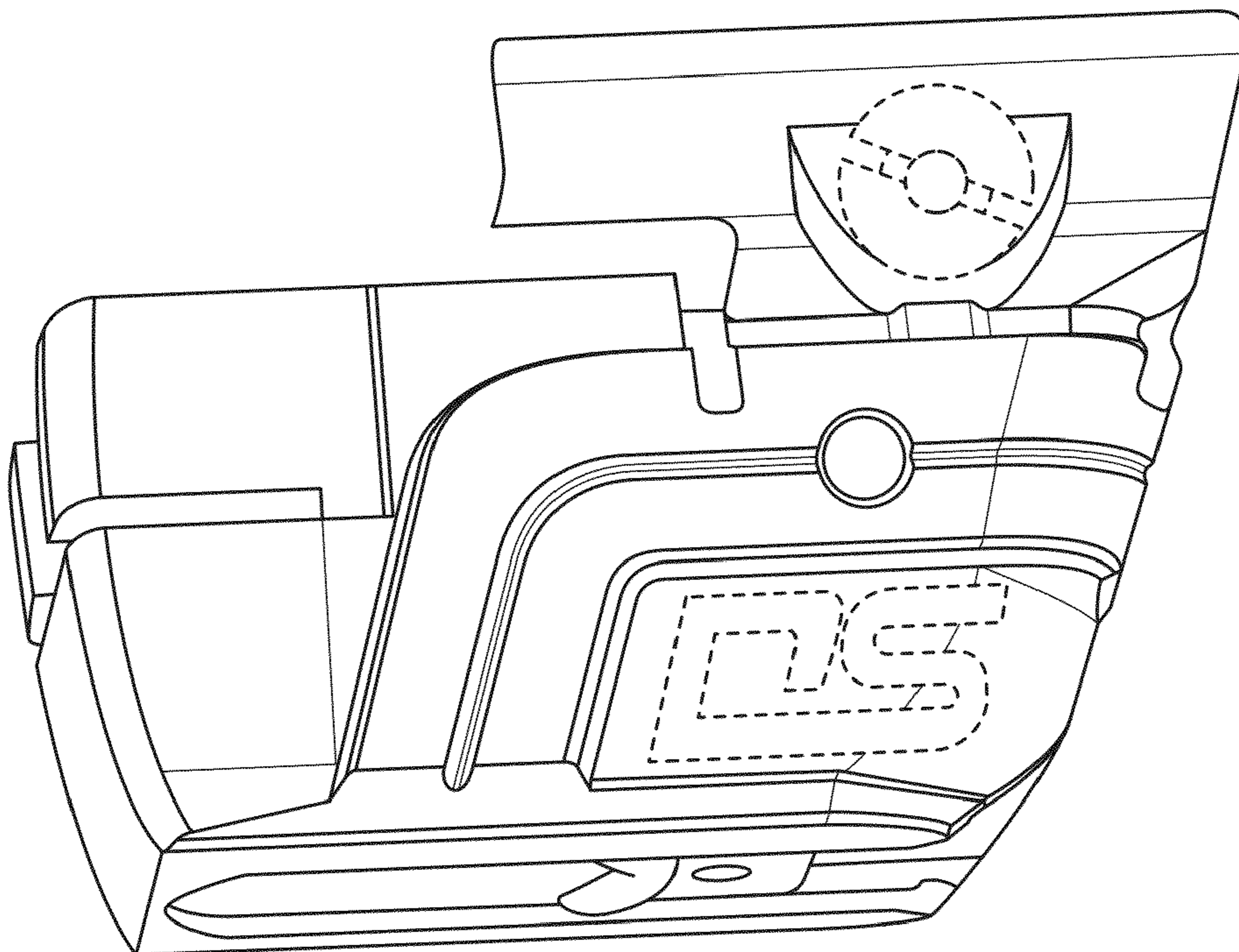
Primary Examiner — Michael A Pratt
(74) *Attorney, Agent, or Firm* — Schwabe, Williamson &
Wyatt, P.C.

(57) **CLAIM**
I claim an ornamental design for a laser device, as shown and
described.

DESCRIPTION

FIG. 1 is a perspective view of a laser device, showing our
new design;
FIG. 2 is a front view thereof;
FIG. 3 is a rear view thereof;
FIG. 4 is a right side view thereof;
FIG. 5 is a left side view thereof;
FIG. 6 is a top view thereof;
FIG. 7 is a bottom view thereof; and,
FIG. 8 is perspective view of a laser device, shown mounted
to a firearm.
The dashed lines are included for illustrating interior and/or
environmental structures, and form no part of the claimed
design.

1 Claim, 8 Drawing Sheets



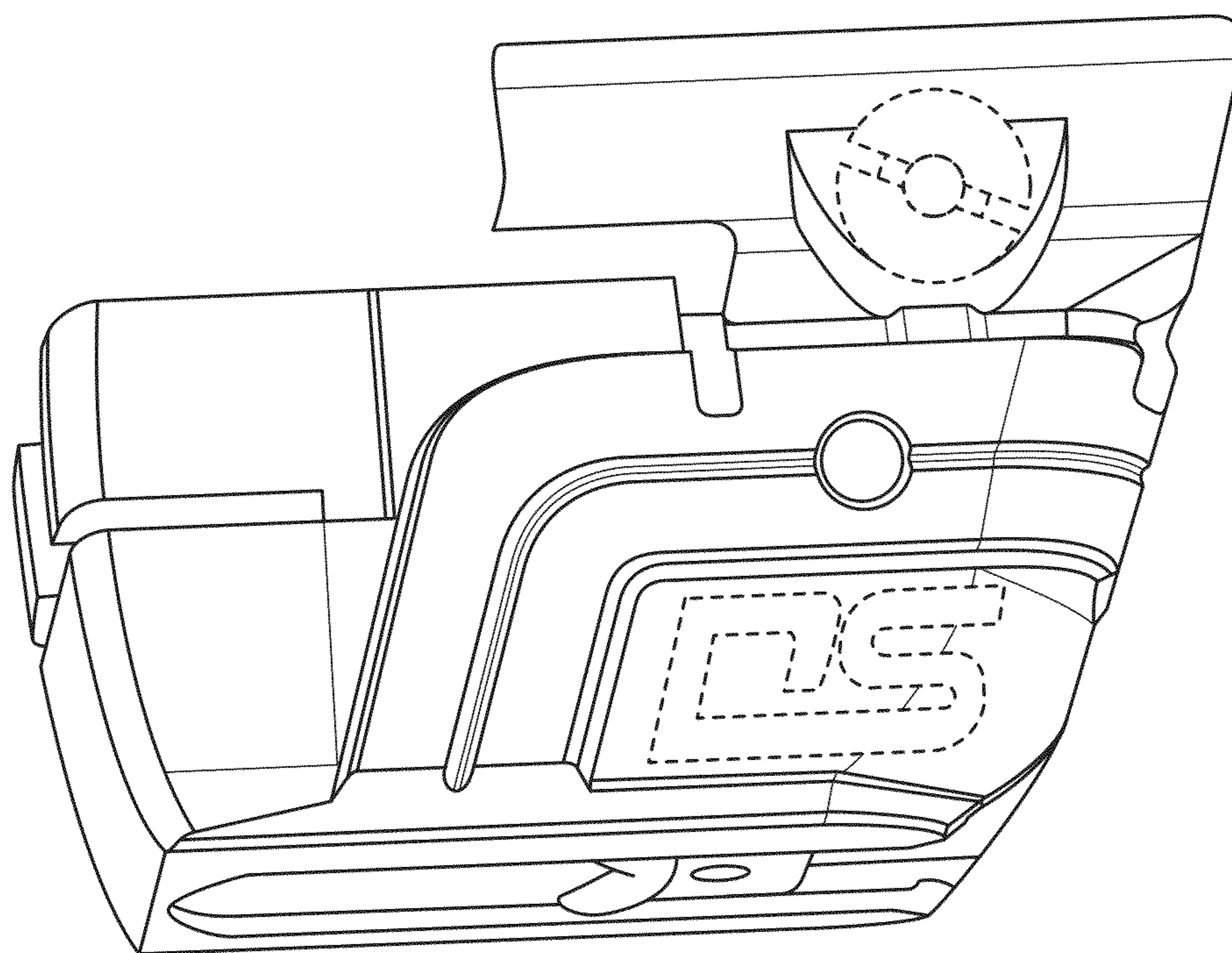


FIG. 1

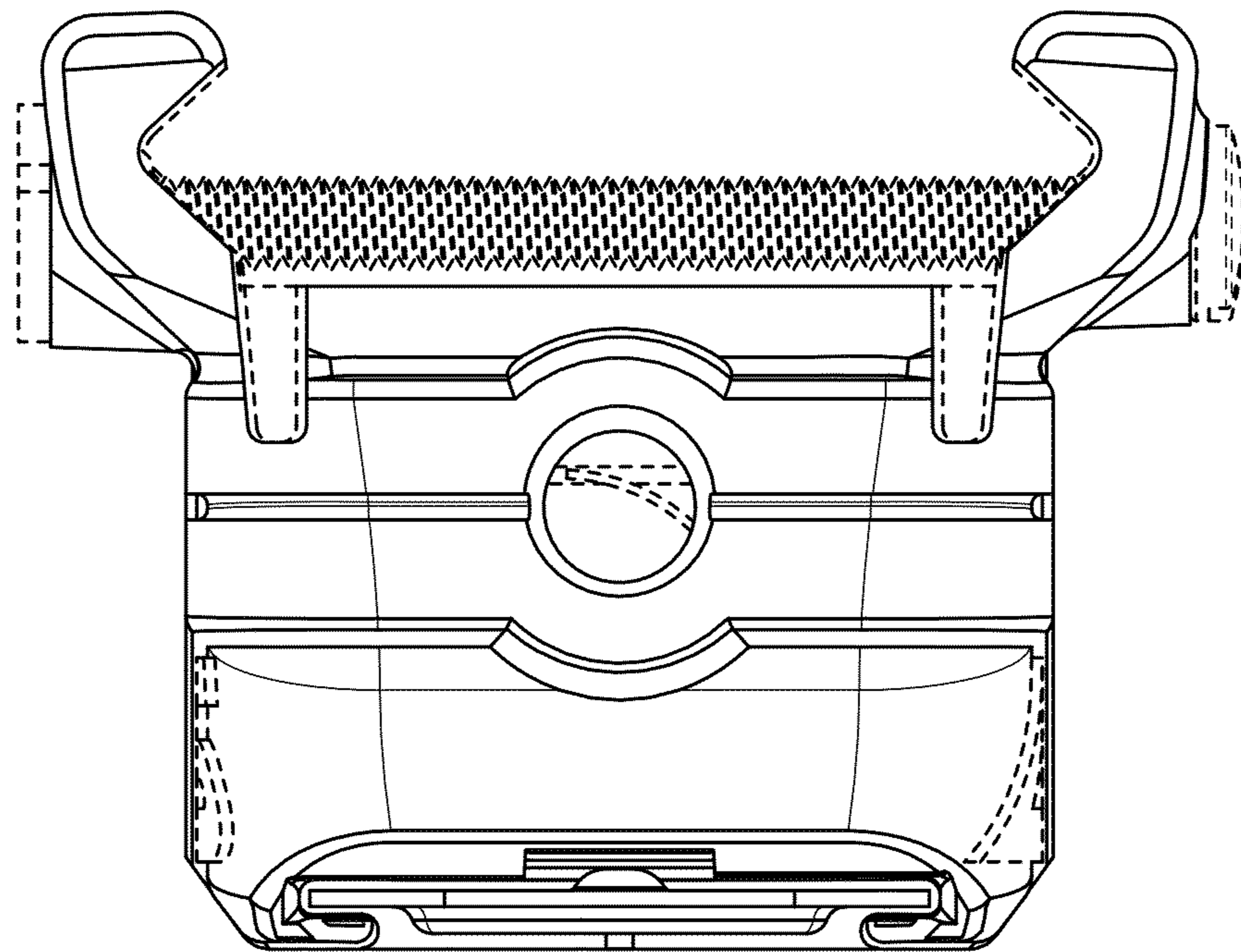


FIG. 2

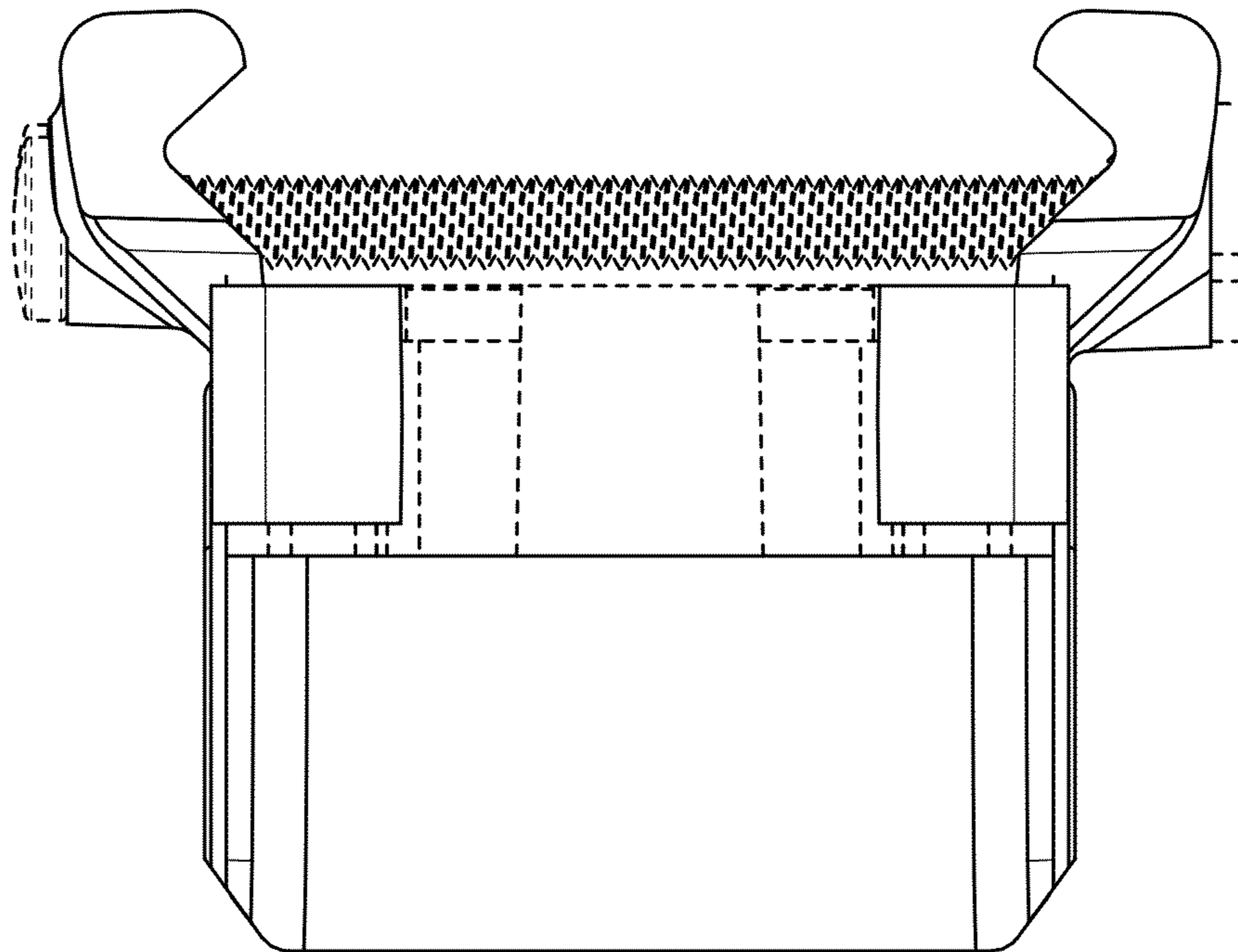


FIG. 3

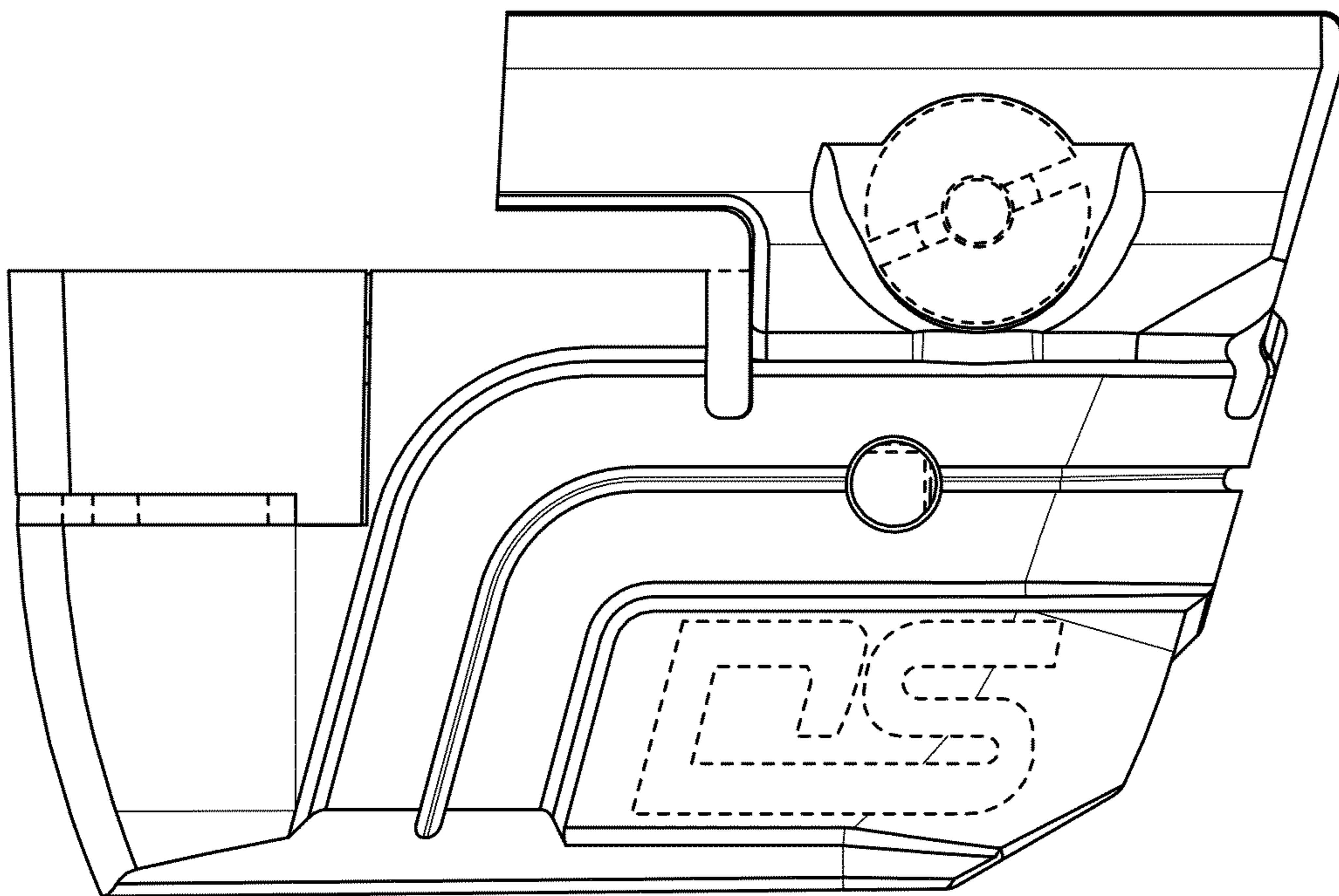


FIG. 4

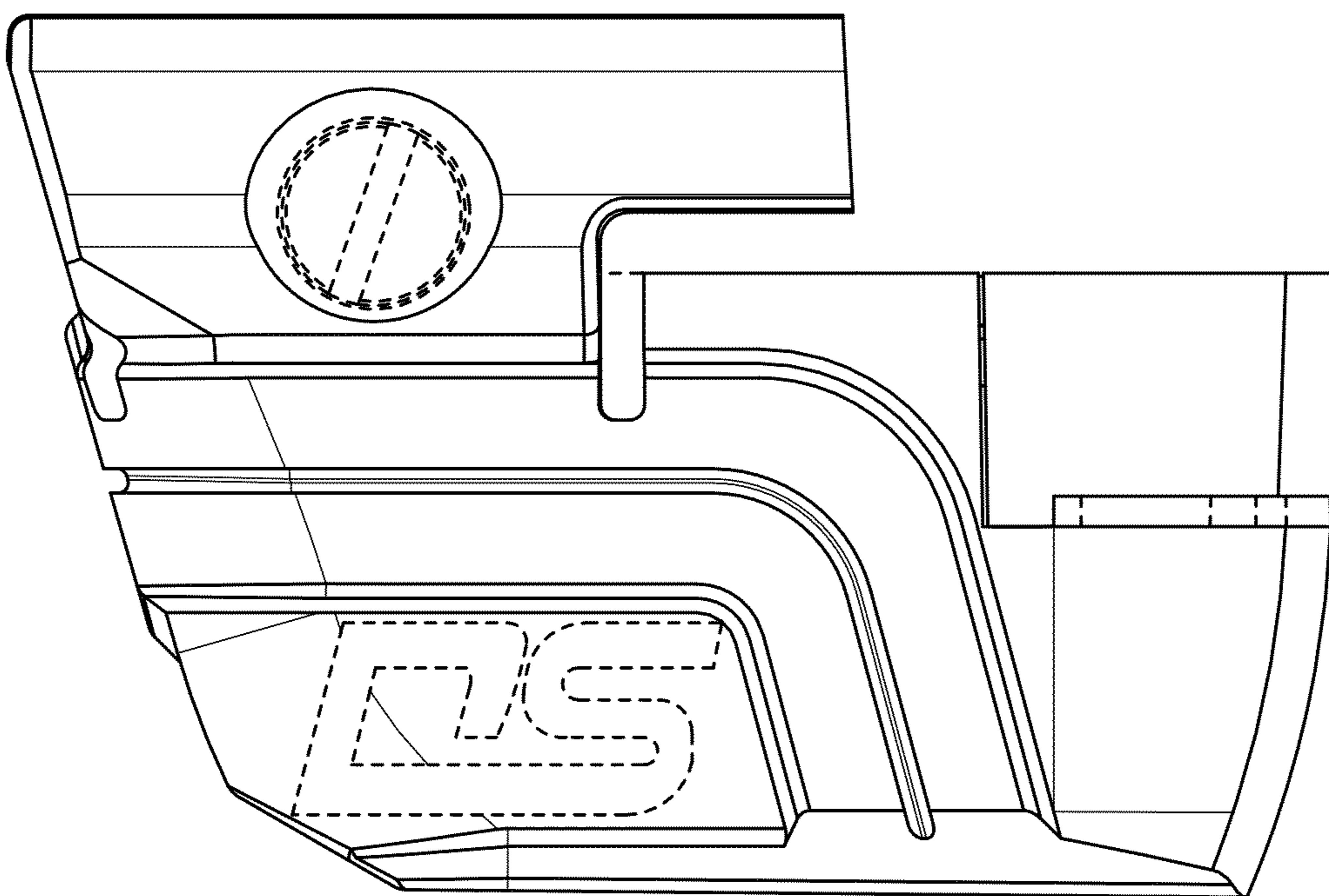


FIG. 5

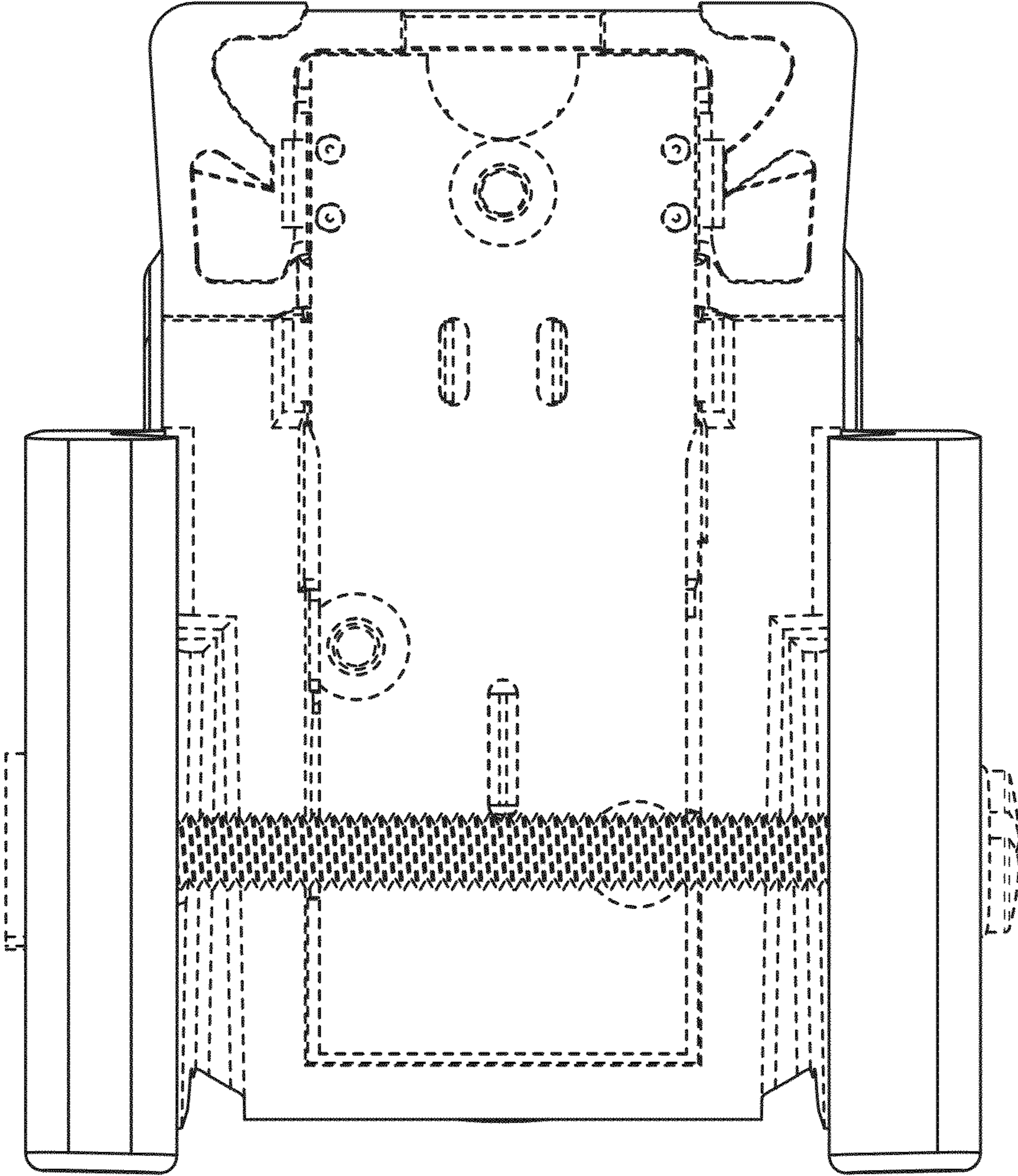


FIG. 6

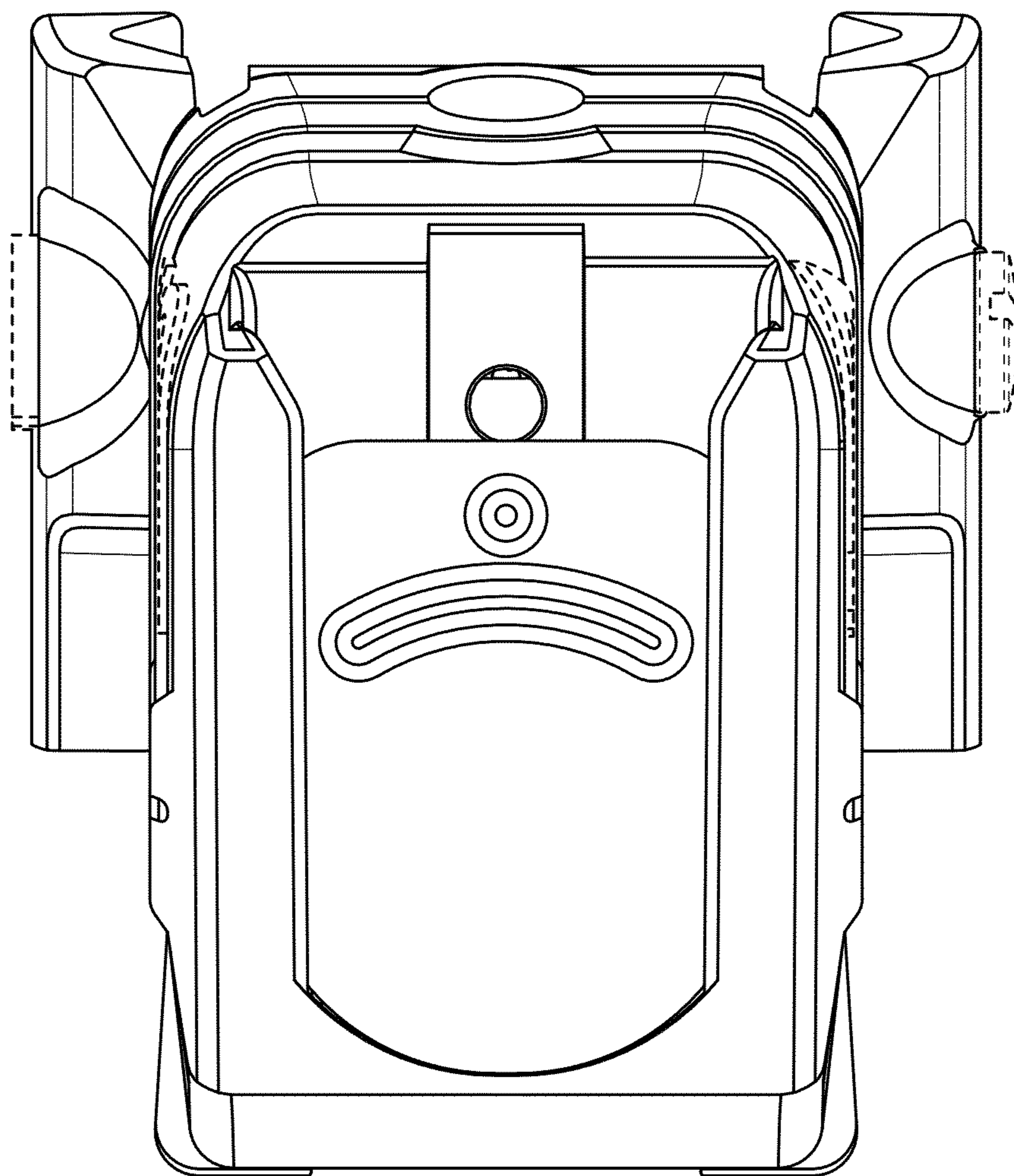


FIG. 7

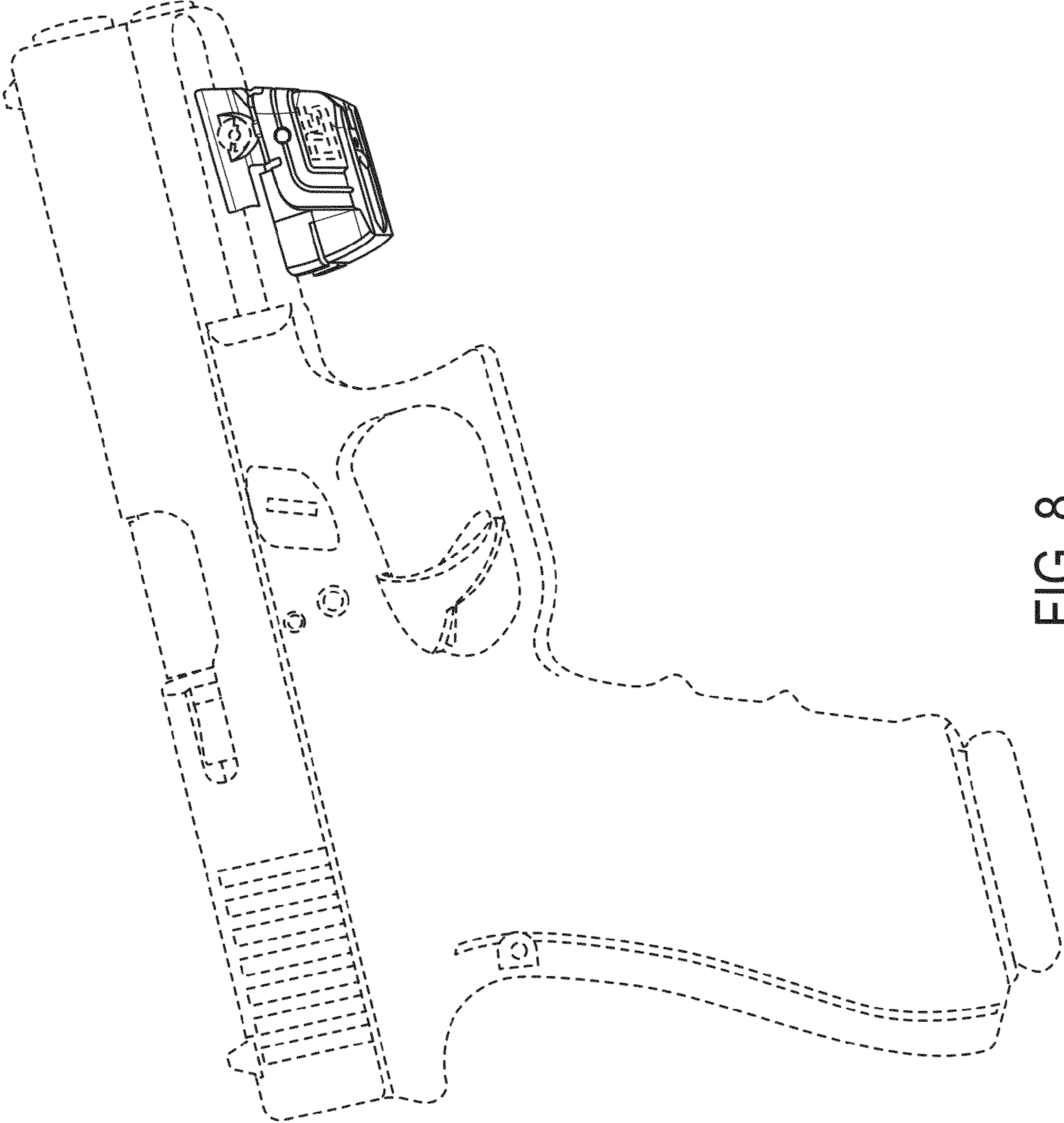


FIG. 8