



US00D755339S

(12) **United States Design Patent**
Geissele

(10) **Patent No.:** **US D755,339 S**

(45) **Date of Patent:** **** May 3, 2016**

(54) **FIREARM TRIGGER**

(71) Applicant: **WHG Properties, LLC**, North Wales, PA (US)

(72) Inventor: **William H. Geissele**, Lower Gwynedd, PA (US)

(73) Assignee: **WHG Properties, LLC**, North Wales, PA (US)

(**) Term: **14 Years**

(21) Appl. No.: **29/512,565**

(22) Filed: **Dec. 19, 2014**

(51) **LOC (10) Cl.** **22-01**

(52) **U.S. Cl.**
USPC **D22/108**

(58) **Field of Classification Search**

USPC D22/108; D8/68; D21/572

CPC F41A 19/10; F41A 17/46; F41A 35/00;

F41A 19/09; F41A 19/11; F41A 19/21;

F41C 27/00

See application file for complete search history.

(56) **References Cited**

U.S. PATENT DOCUMENTS

D462,105 S * 8/2002 Myers D22/108

D504,168 S * 4/2005 McCormick D22/108

7,600,338 B2 * 10/2009 Geissele F41A 19/10
42/69.03

D659,790 S 5/2012 Geissele

D740,907 S * 10/2015 Oglesby D22/108

* cited by examiner

Primary Examiner — Michael A Pratt

(74) *Attorney, Agent, or Firm* — Merchant & Gould P.C.

(57) **CLAIM**

The ornamental design for a firearm trigger, as shown and described.

DESCRIPTION

FIG. 1 is a rear, top, right side perspective view of an embodiment of a firearm trigger according to the present disclosure;

FIG. 2 is a front, top, right side perspective view of the firearm trigger of FIG. 1;

FIG. 3 is a rear, bottom, right side perspective view of the firearm trigger of FIG. 1;

FIG. 4 is a right side view of the firearm trigger of FIG. 1;

FIG. 5 is a left side view of the firearm trigger of FIG. 1;

FIG. 6 is a rear view of the firearm trigger of FIG. 1;

FIG. 7 is a front view of the firearm trigger of FIG. 1;

FIG. 8 is bottom view of the firearm trigger of FIG. 1;

FIG. 9 is an enlarged right side view of the firearm trigger of FIG. 1 shown on a rifle which forms no part of the claimed design;

FIG. 10 is a rear, top, right side perspective view of a second embodiment of a firearm trigger according to the present disclosure;

FIG. 11 is a front, top, right side perspective view of the firearm trigger of FIG. 10;

FIG. 12 is a rear, bottom, right side perspective view of the firearm trigger of FIG. 10;

FIG. 13 is a right side view of the firearm trigger of FIG. 10;

FIG. 14 is a left side view of the firearm trigger of FIG. 10;

FIG. 15 is a rear view of the firearm trigger of FIG. 10;

FIG. 16 is a front view of the firearm trigger of FIG. 10;

FIG. 17 is bottom view of the firearm trigger of FIG. 10;

FIG. 18 is an enlarged right side view of the firearm trigger of FIG. 10 shown on a rifle which forms no part of the claimed design;

FIG. 19 is a rear, top, right side perspective view of a third embodiment of a firearm trigger according to the present disclosure;

FIG. 20 is a front, top, right side perspective view of the firearm trigger of FIG. 19;

FIG. 21 is a rear, bottom, right side perspective view of the firearm trigger of FIG. 19;

FIG. 22 is a right side view of the firearm trigger of FIG. 19;

FIG. 23 is a left side view of the firearm trigger of FIG. 19;

FIG. 24 is a rear view of the firearm trigger of FIG. 19;

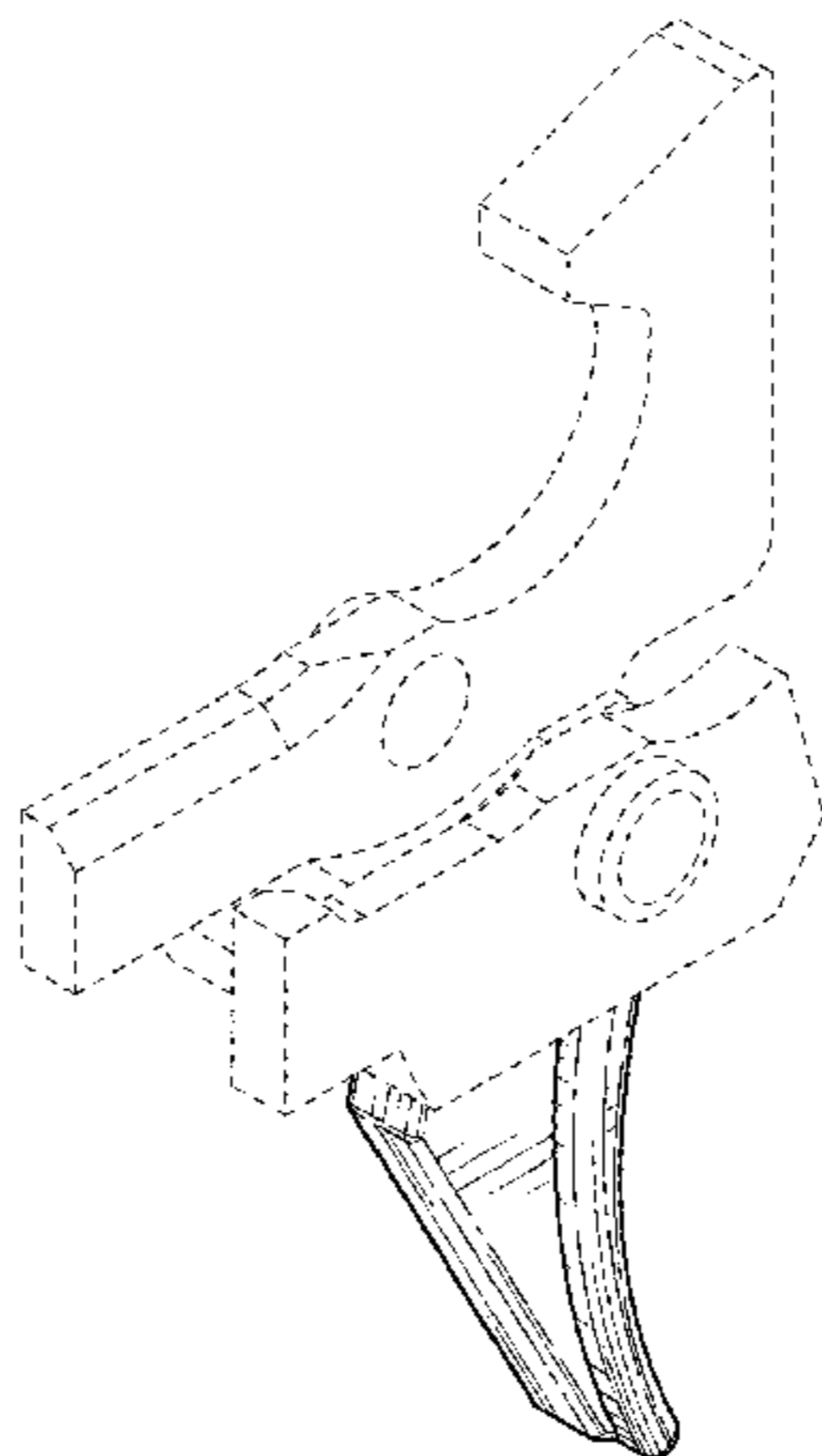
FIG. 25 is a front view of the firearm trigger of FIG. 19;

FIG. 26 is bottom view of the firearm trigger of FIG. 19; and,

FIG. 27 is an enlarged right side view of the firearm trigger of FIG. 19 shown on a rifle which forms no part of the claimed design.

The broken lines in the Figures are for illustrative purposes only and form no part of the claimed design.

1 Claim, 12 Drawing Sheets



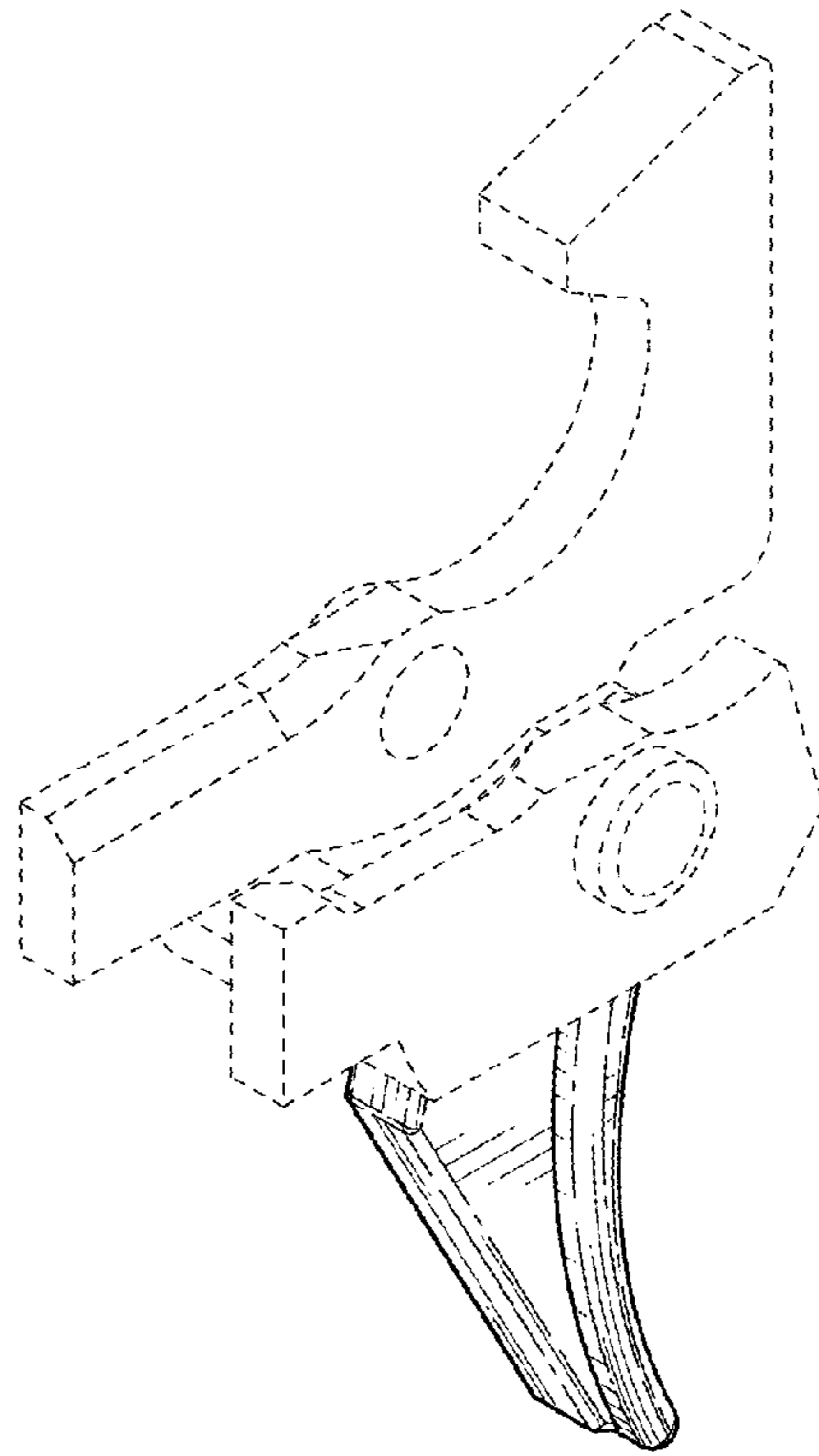


FIG. 1

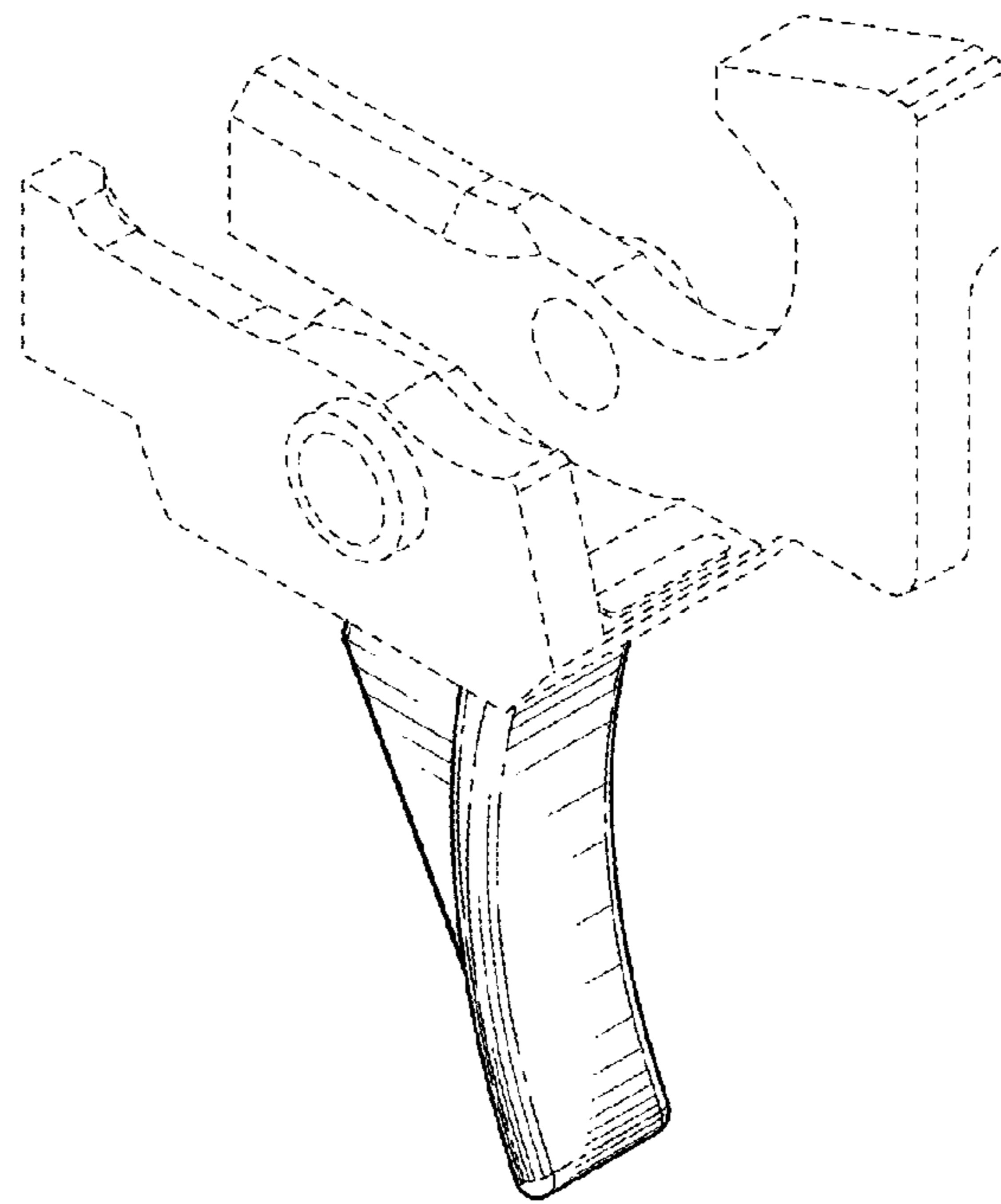


FIG. 2

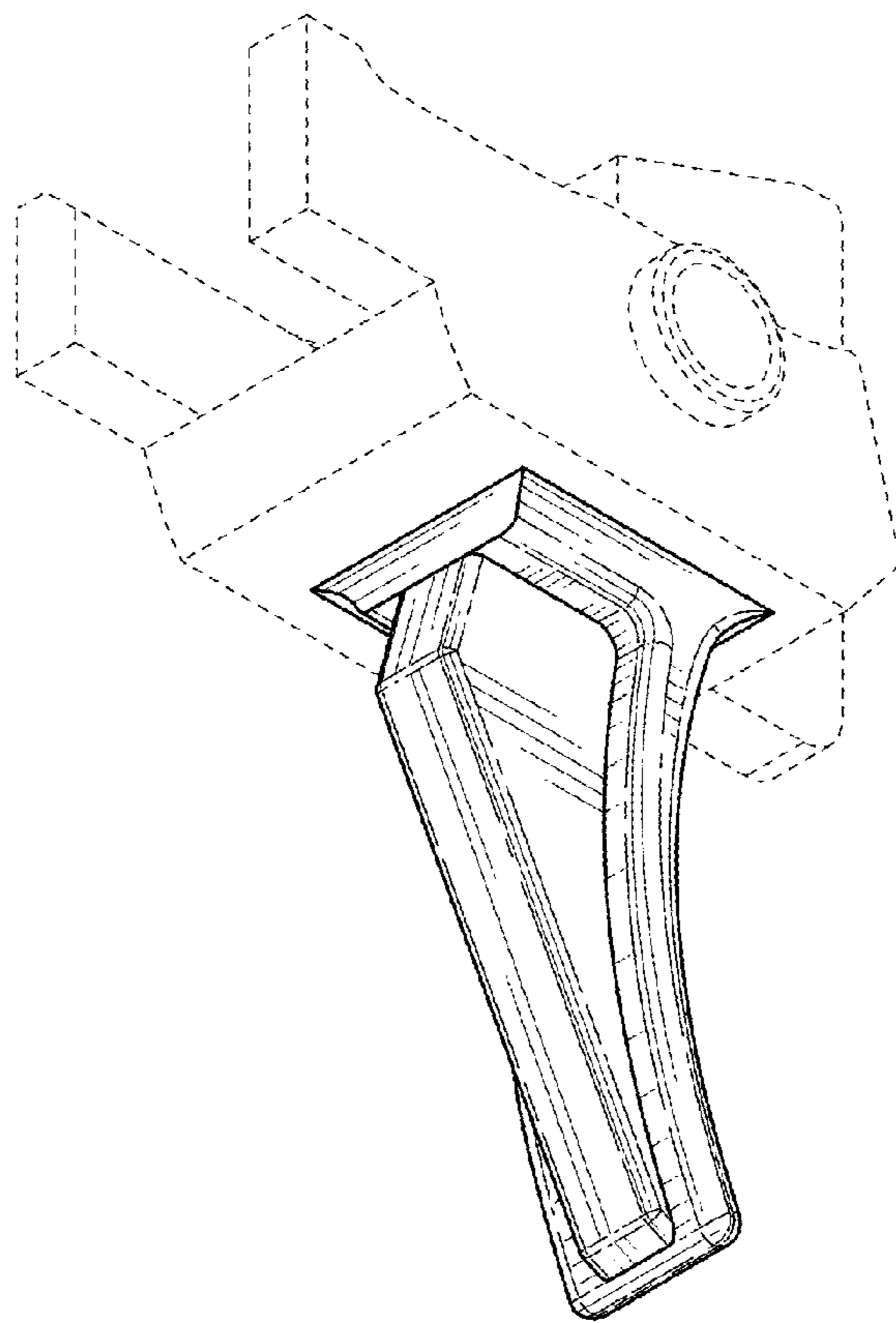


FIG. 3

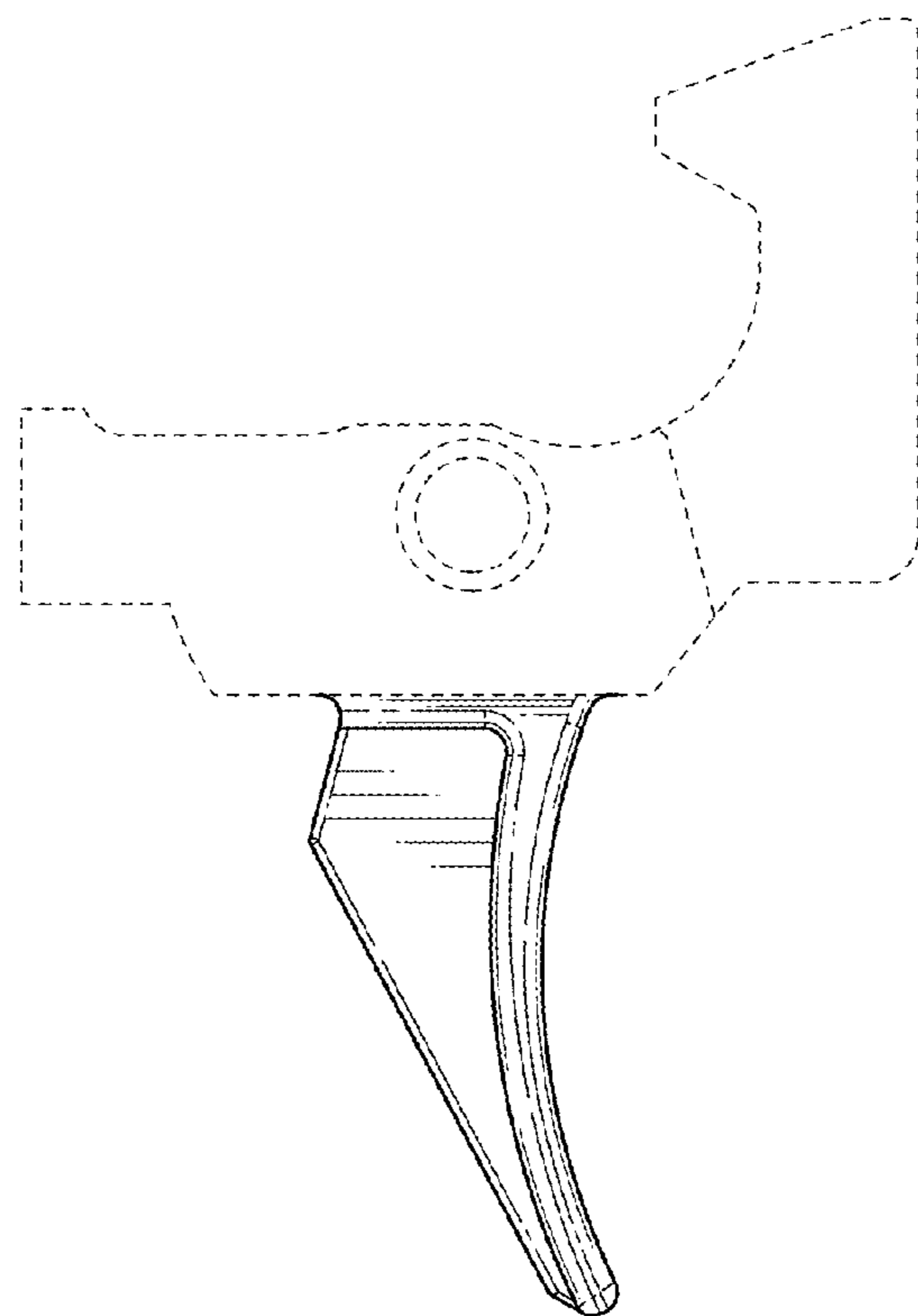


FIG. 4

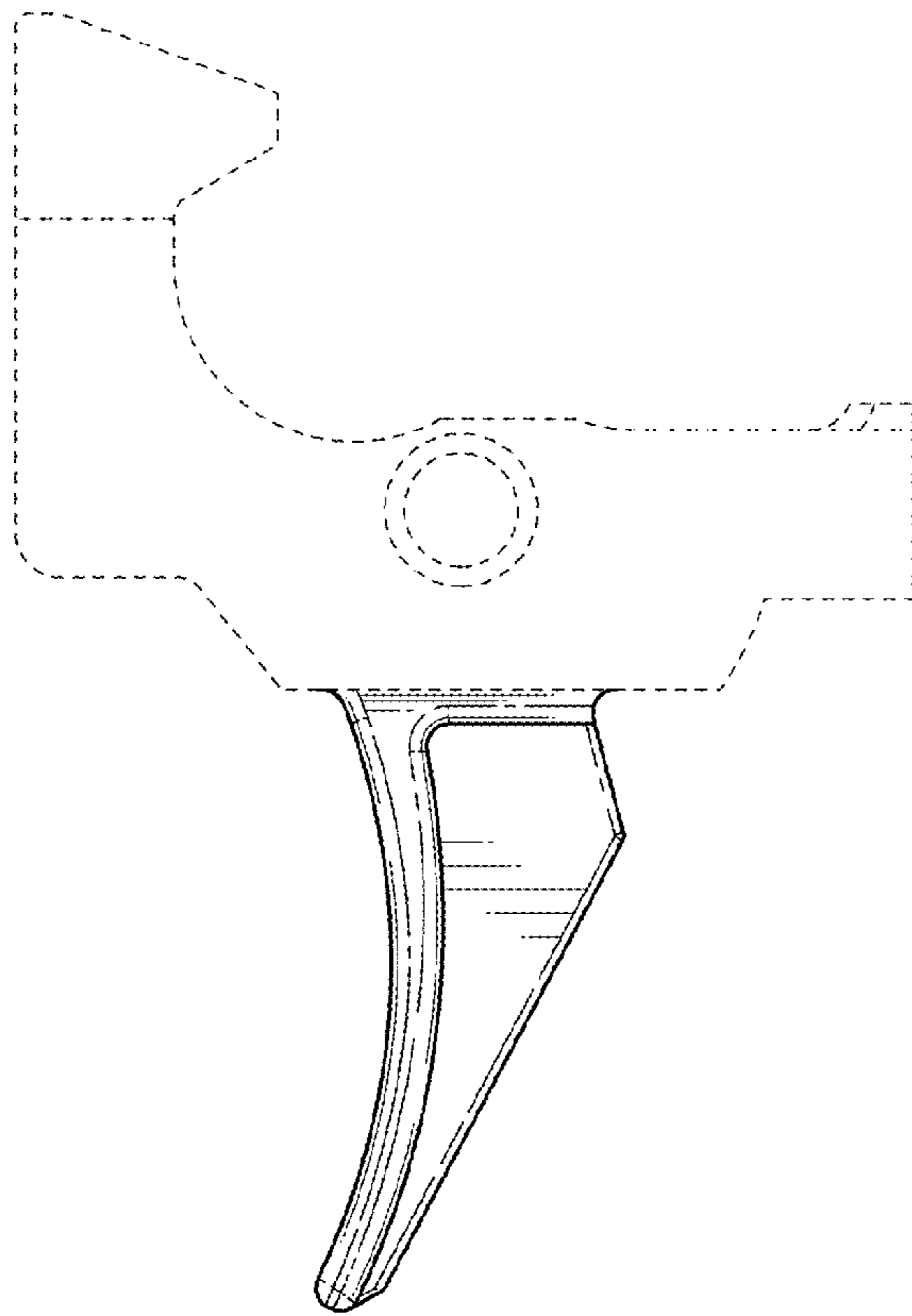


FIG. 5

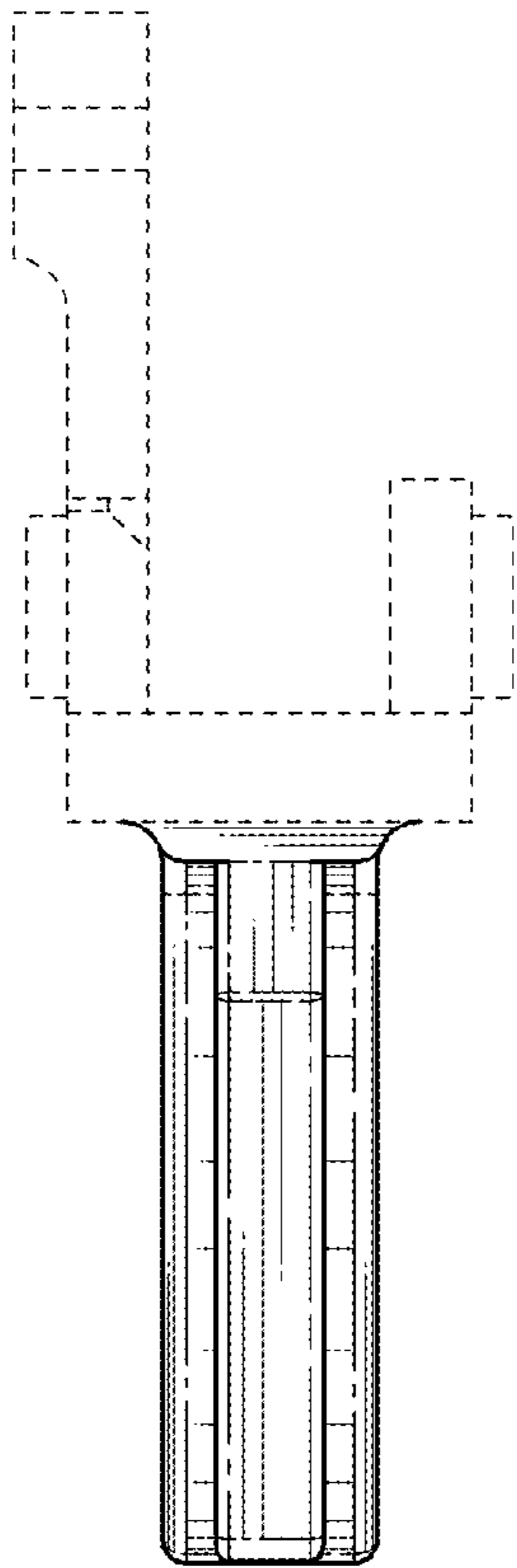


FIG. 6

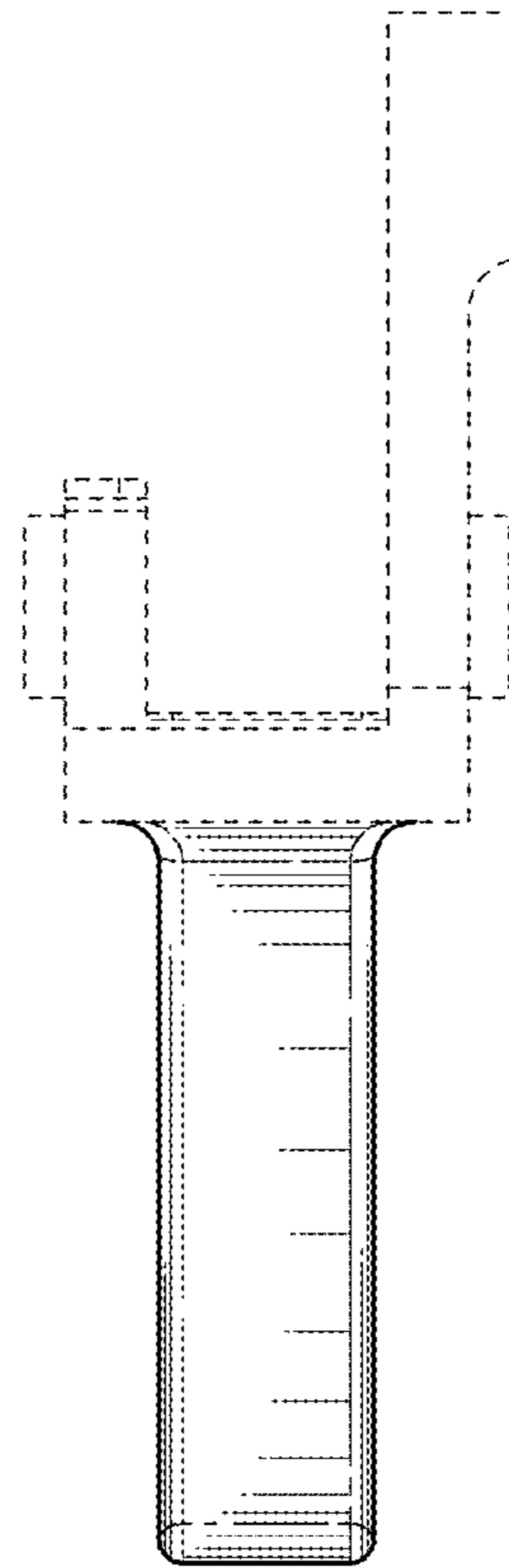


FIG. 7

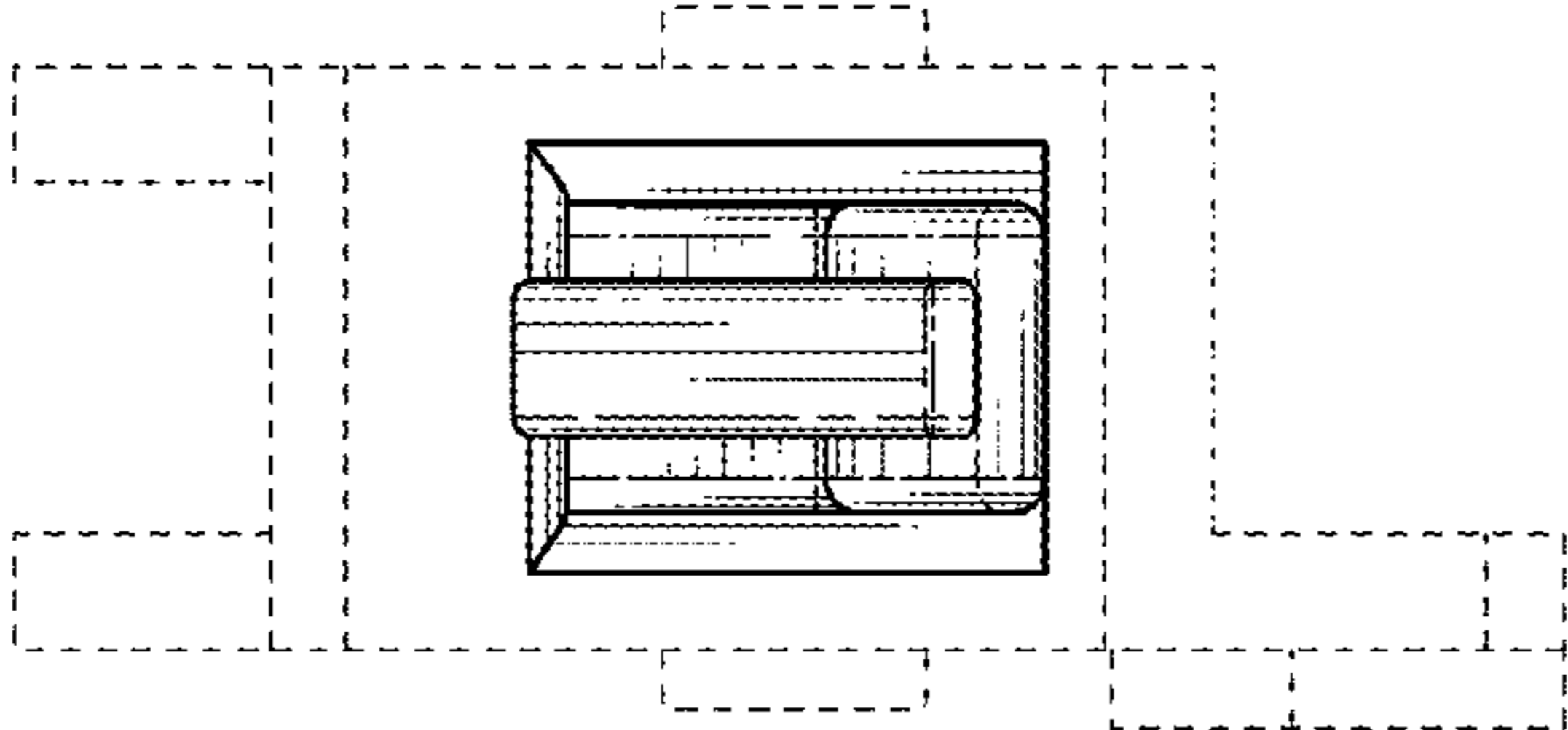


FIG. 8

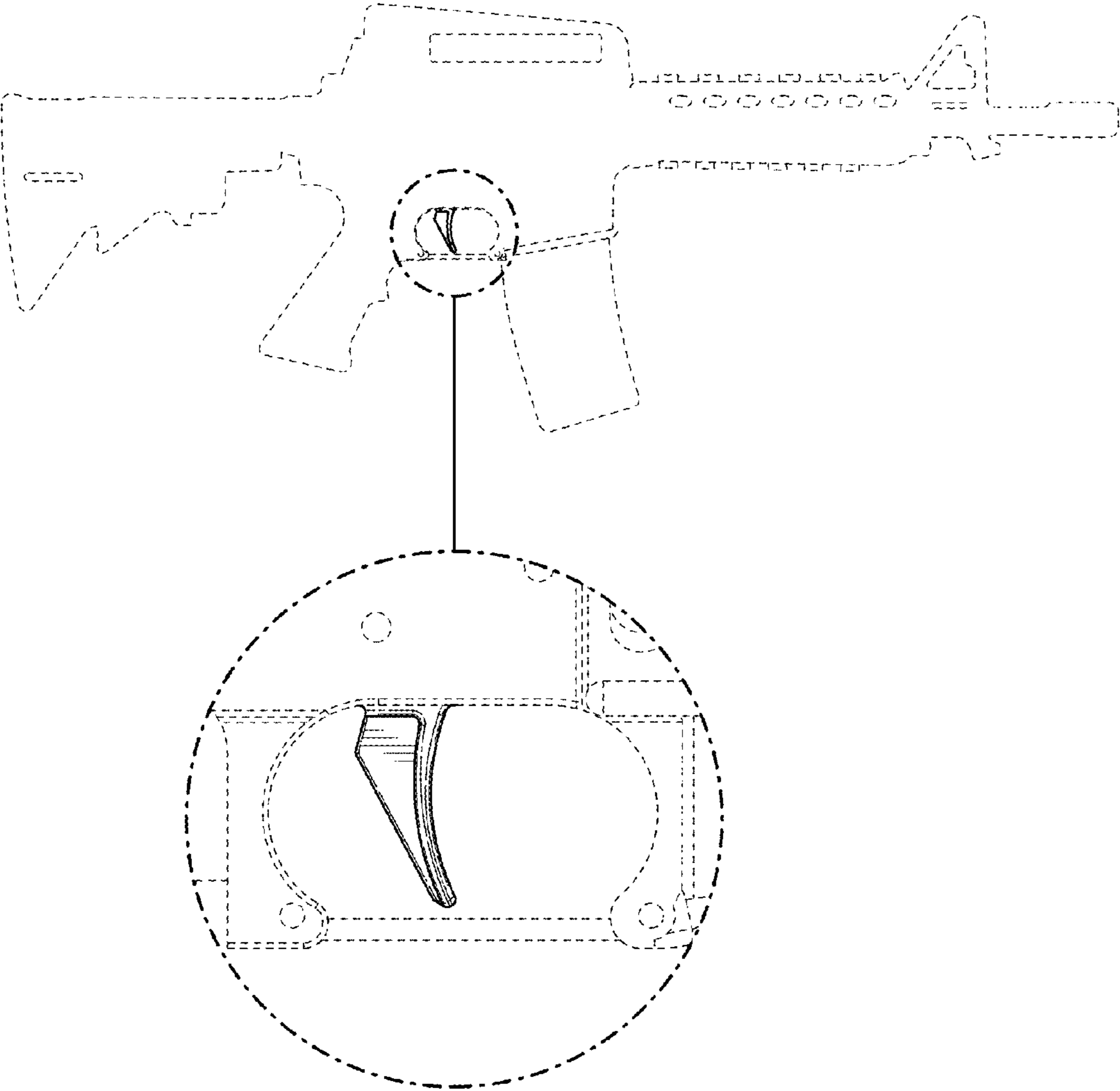


FIG. 9

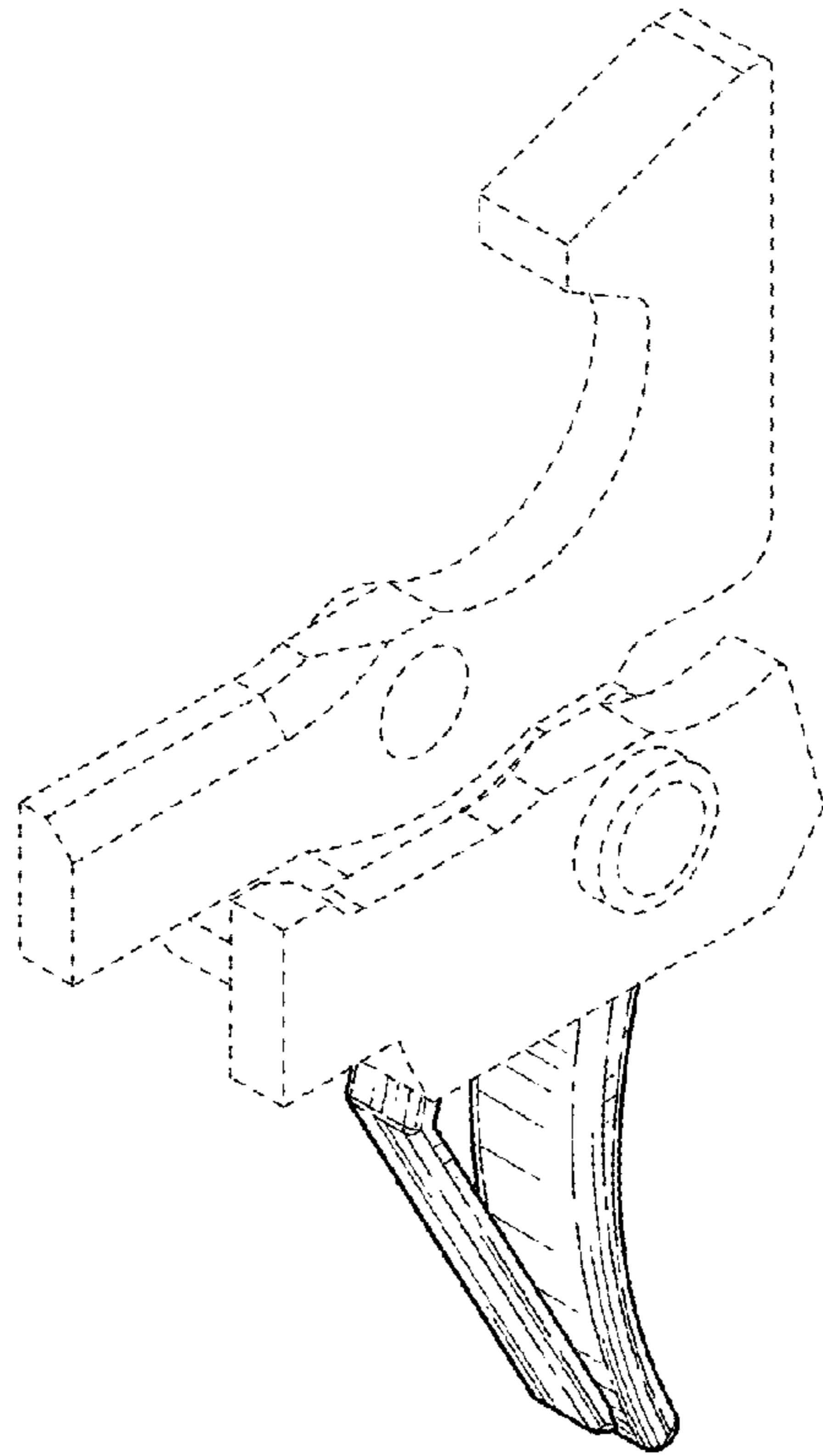


FIG. 10

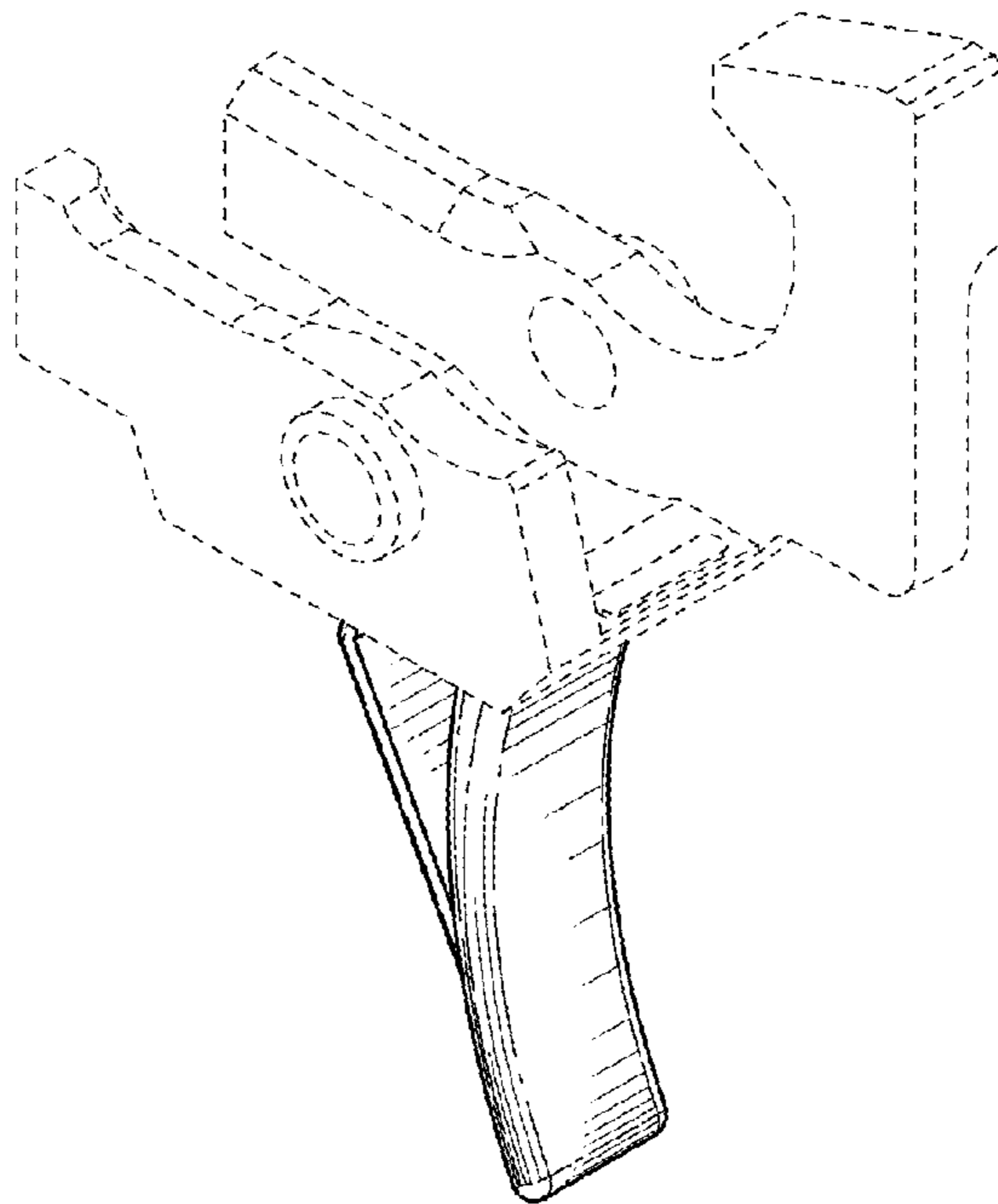


FIG. 11

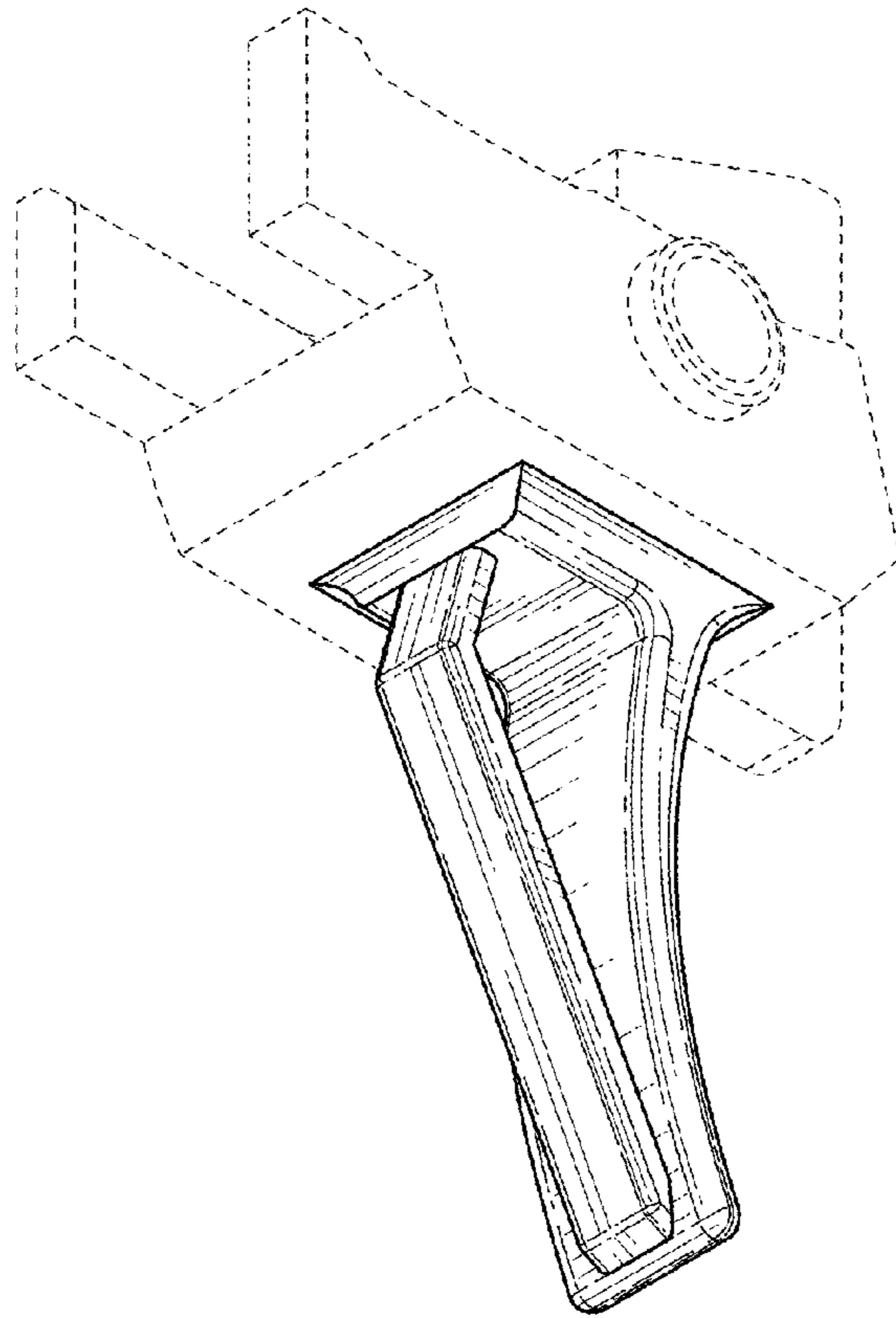


FIG. 12

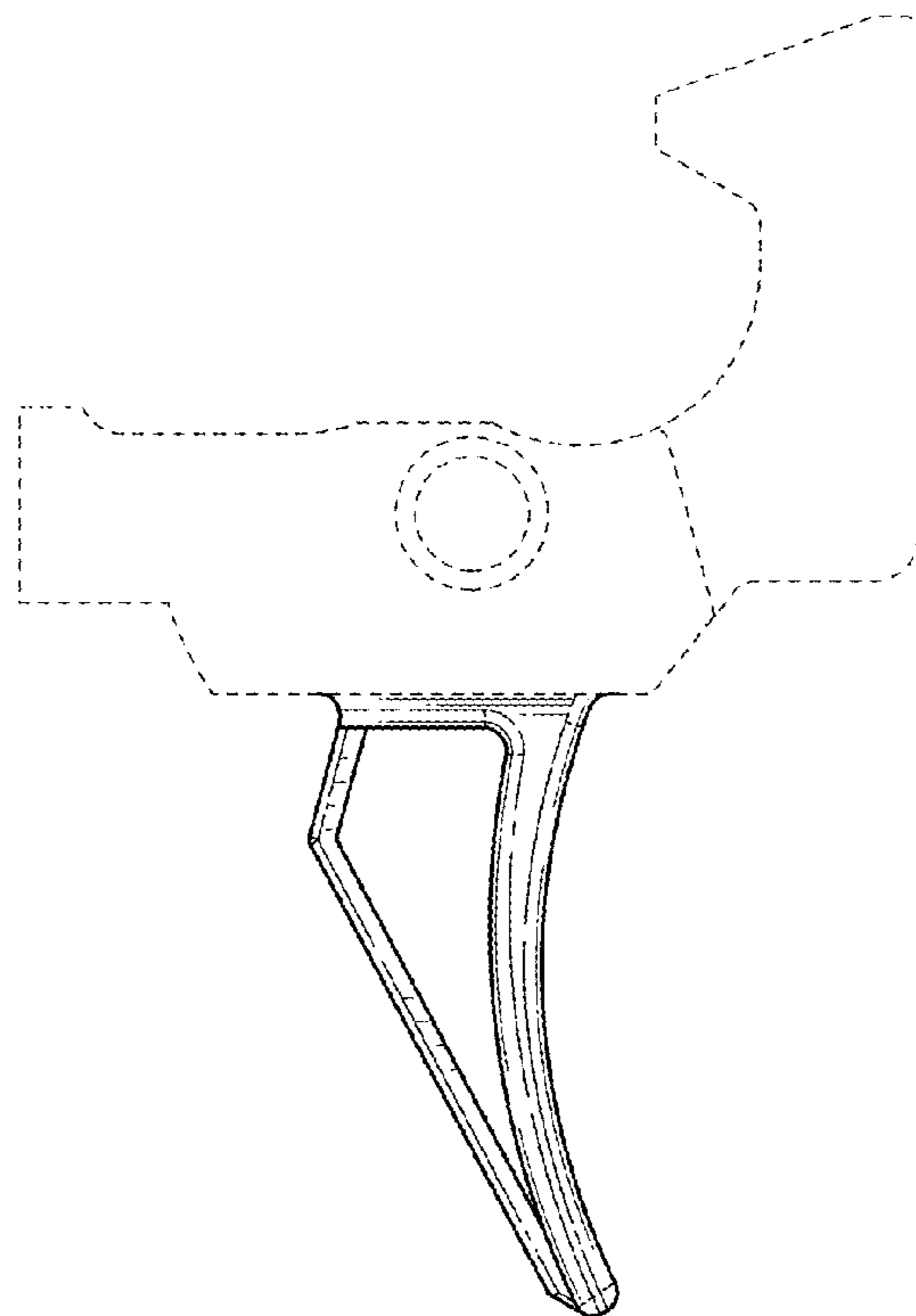


FIG. 13

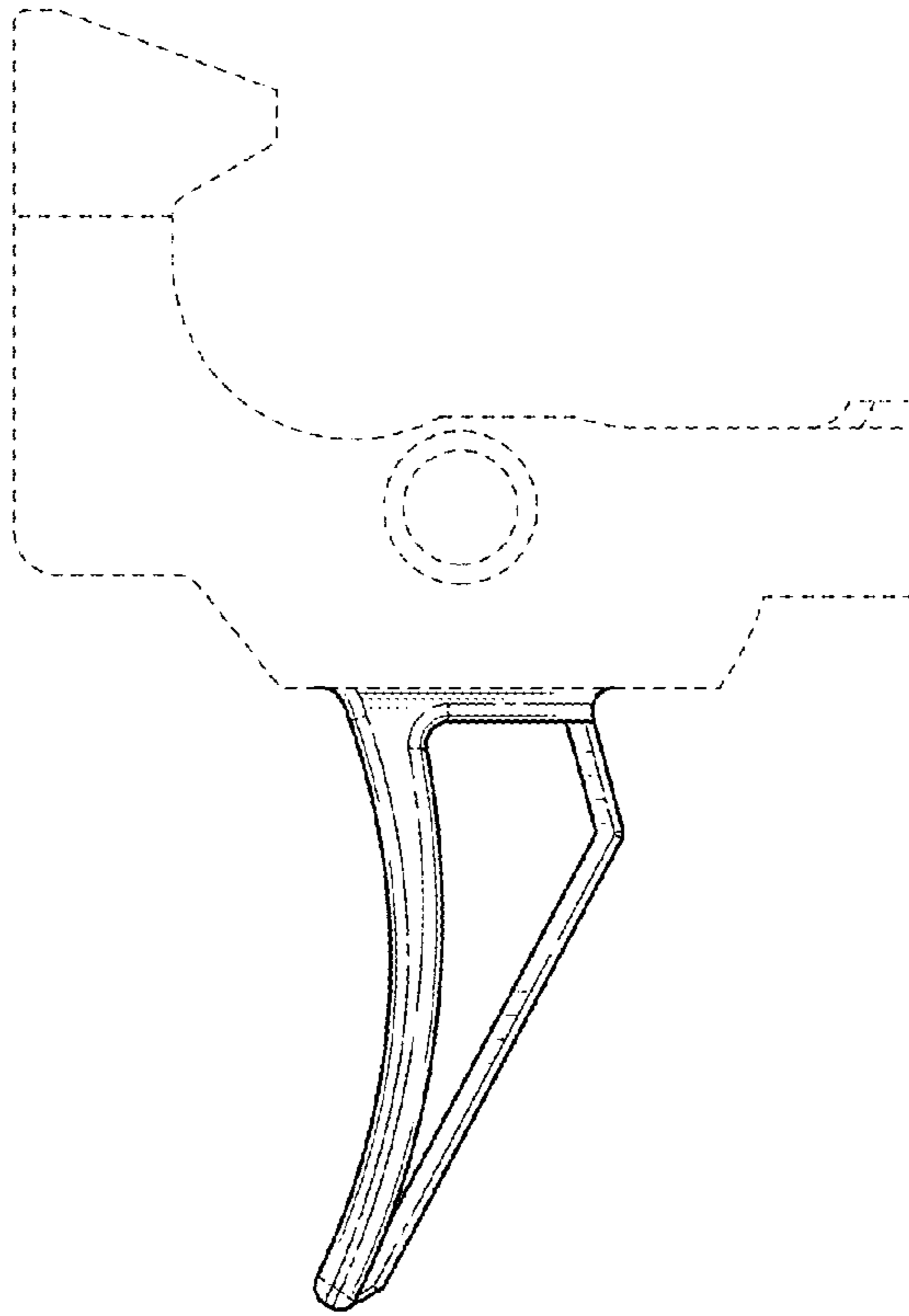


FIG. 14

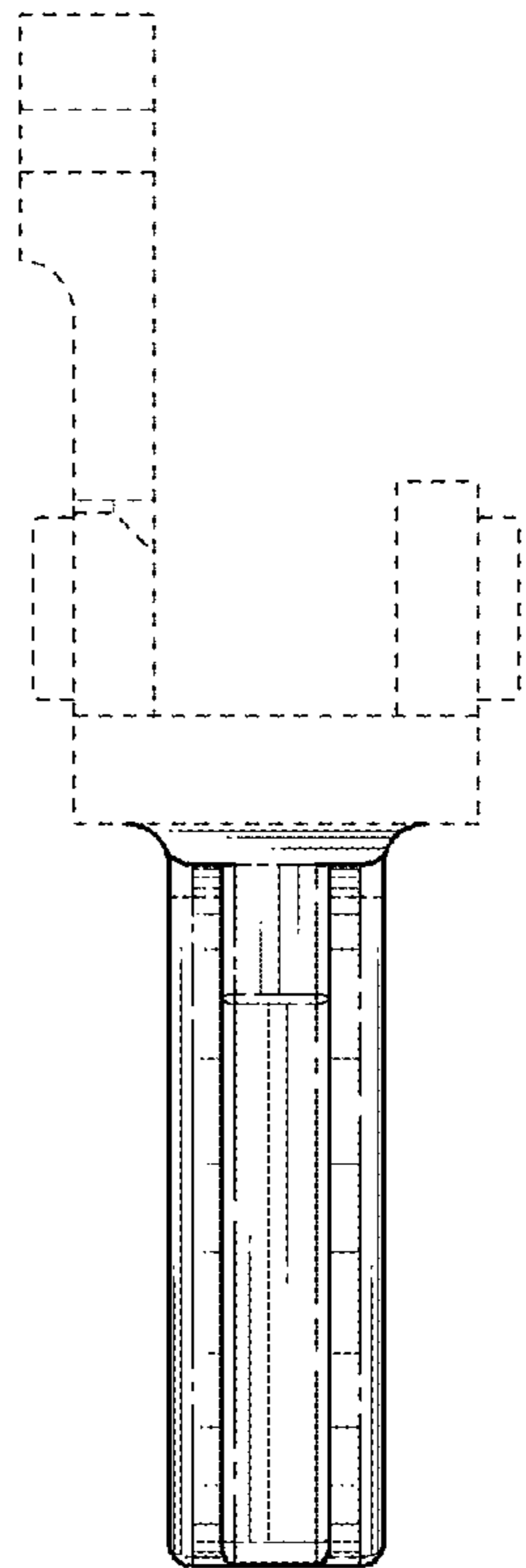


FIG. 15

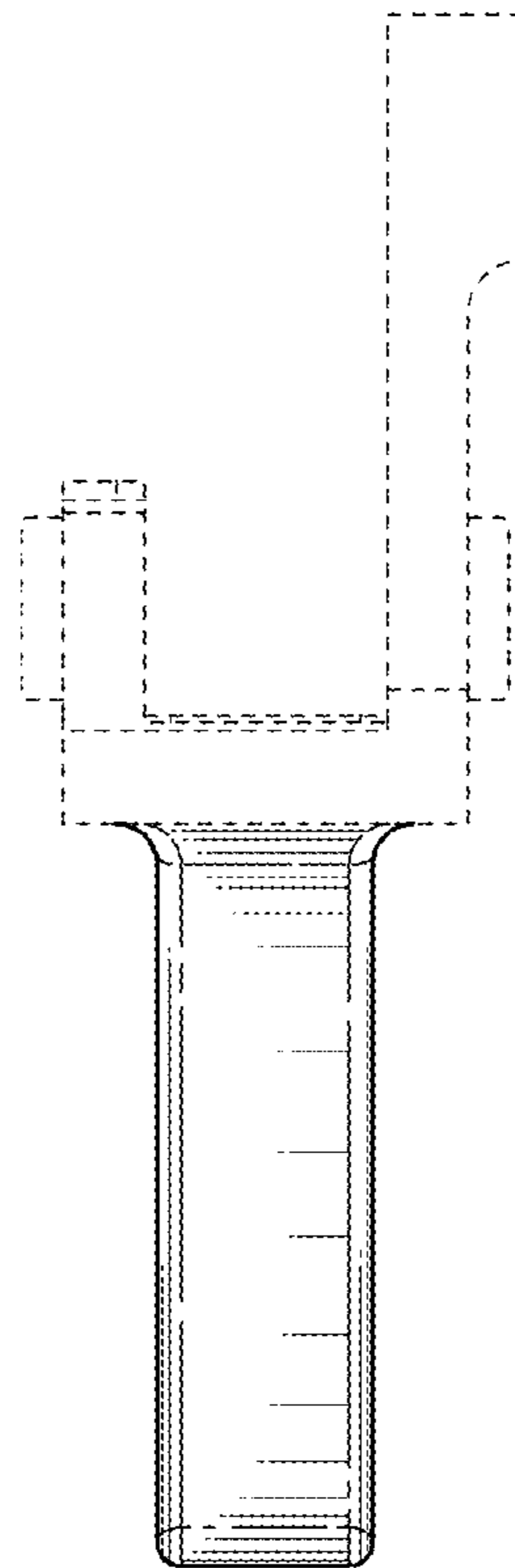


FIG. 16

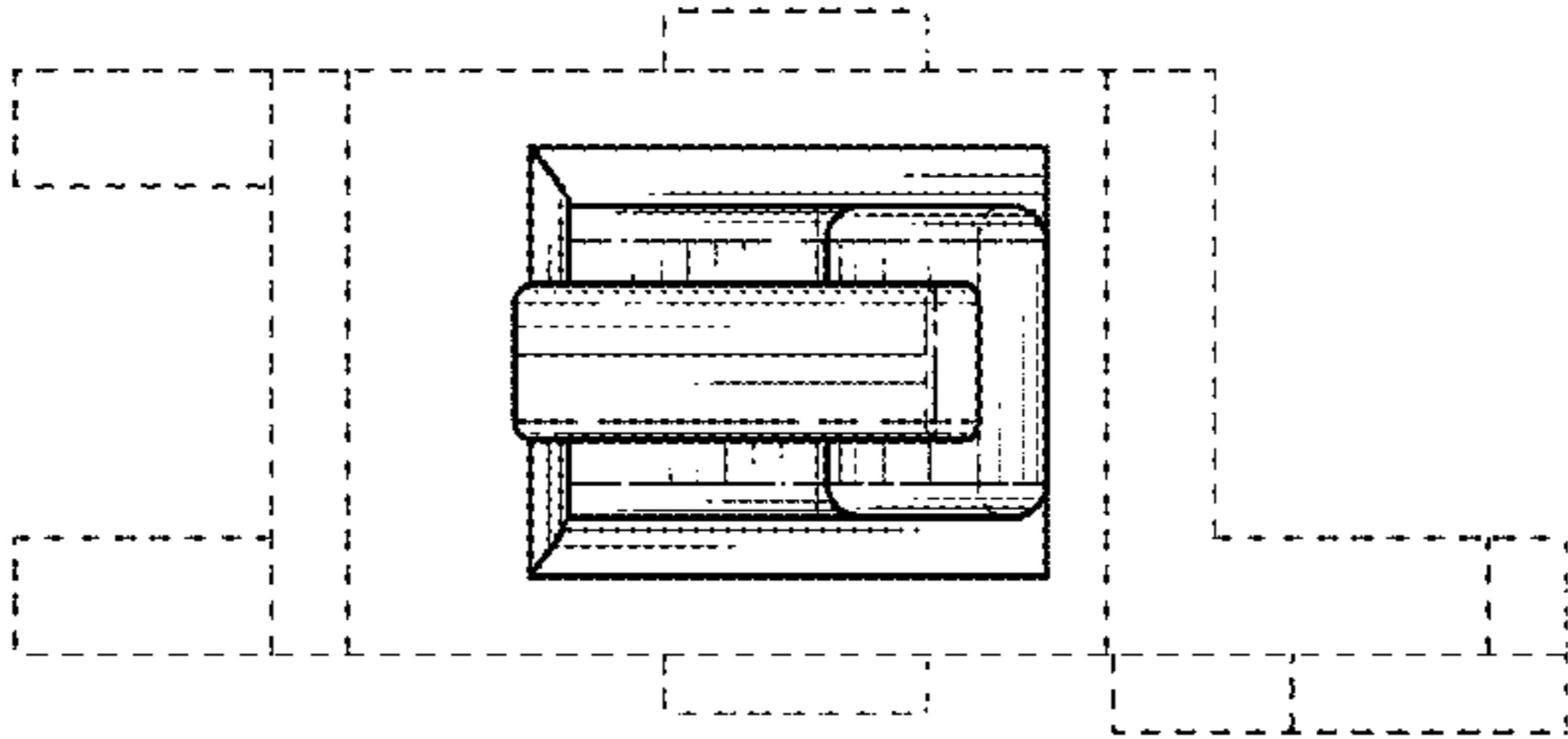


FIG. 17

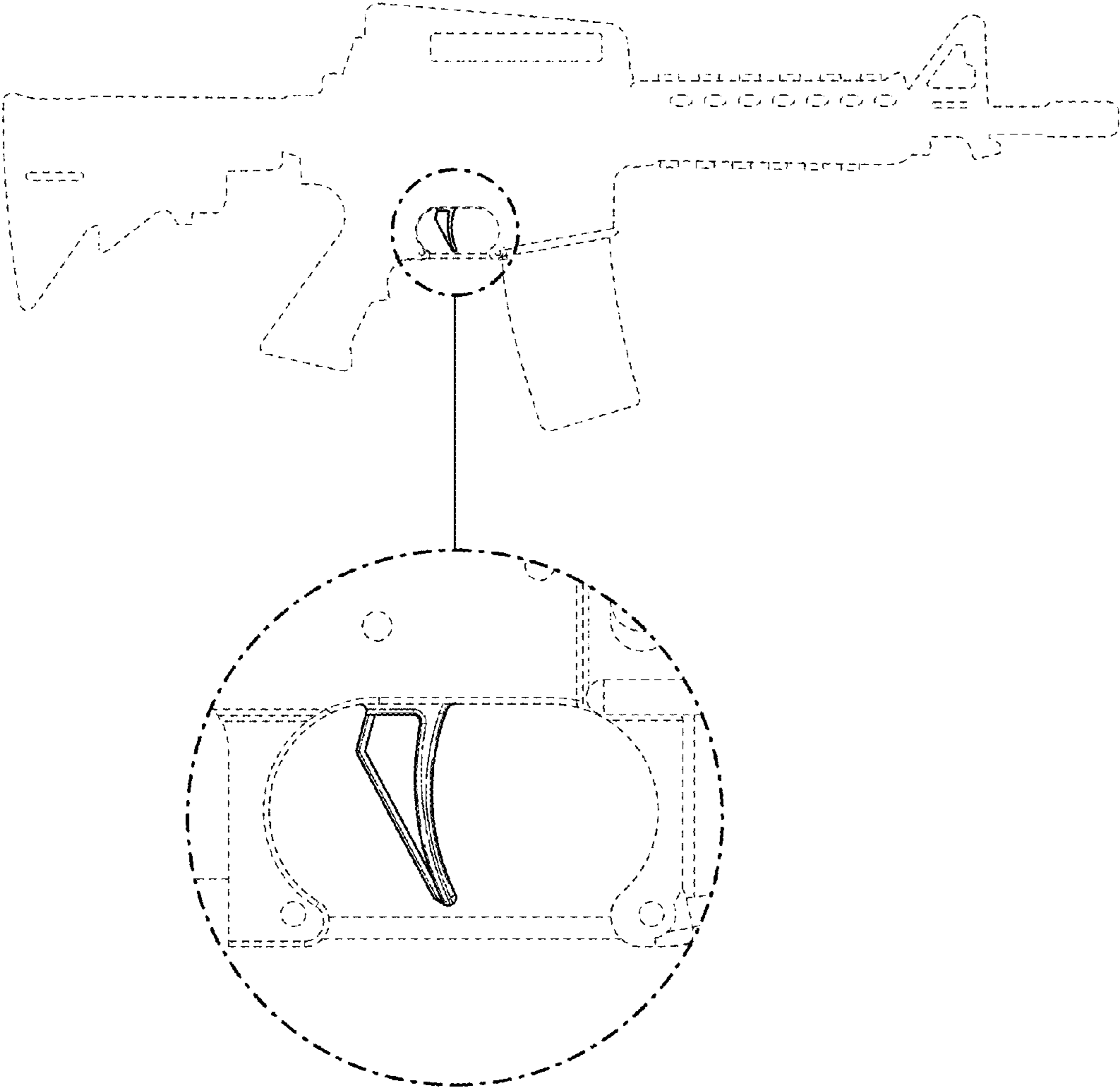


FIG. 18

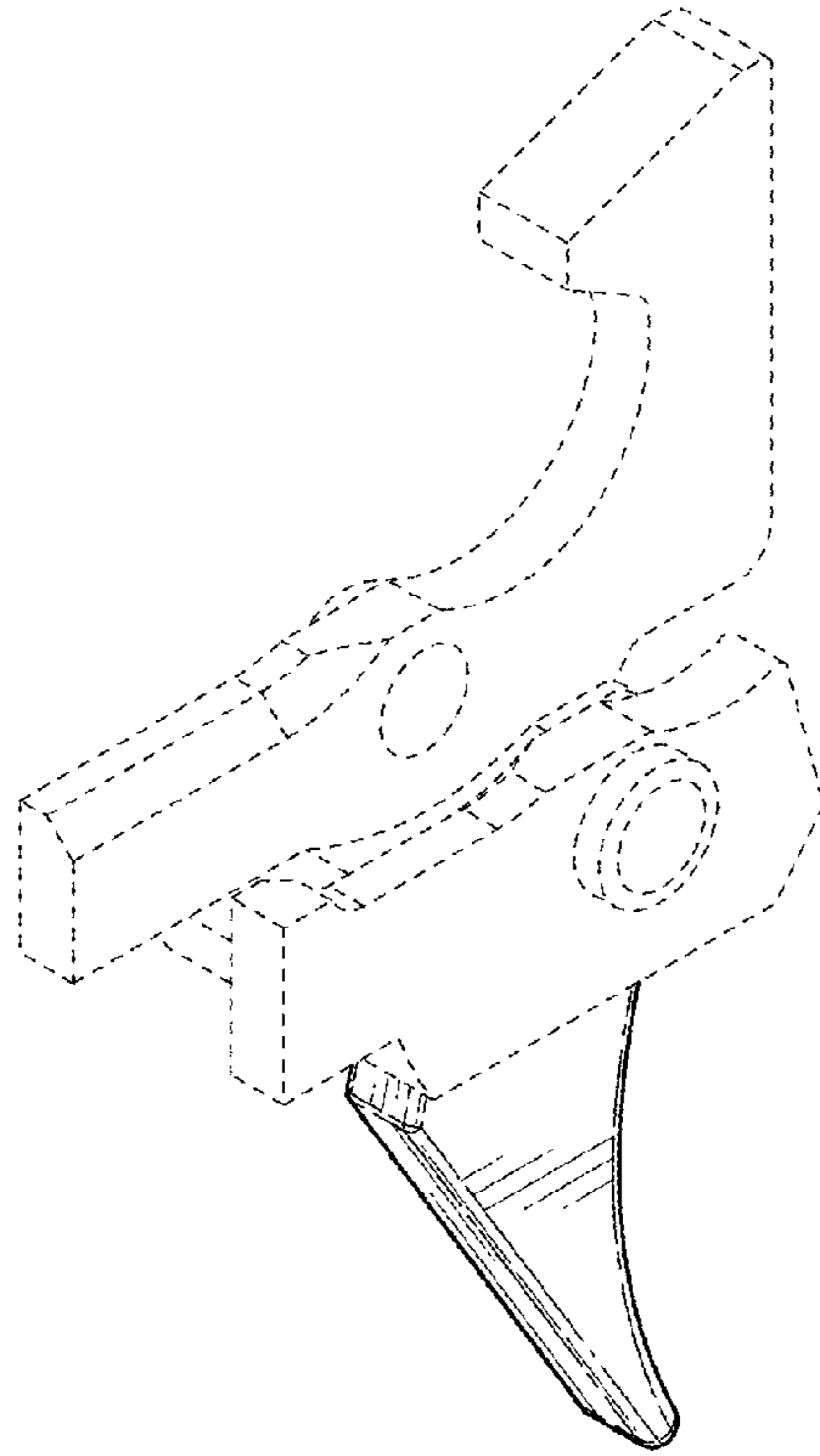


FIG. 19

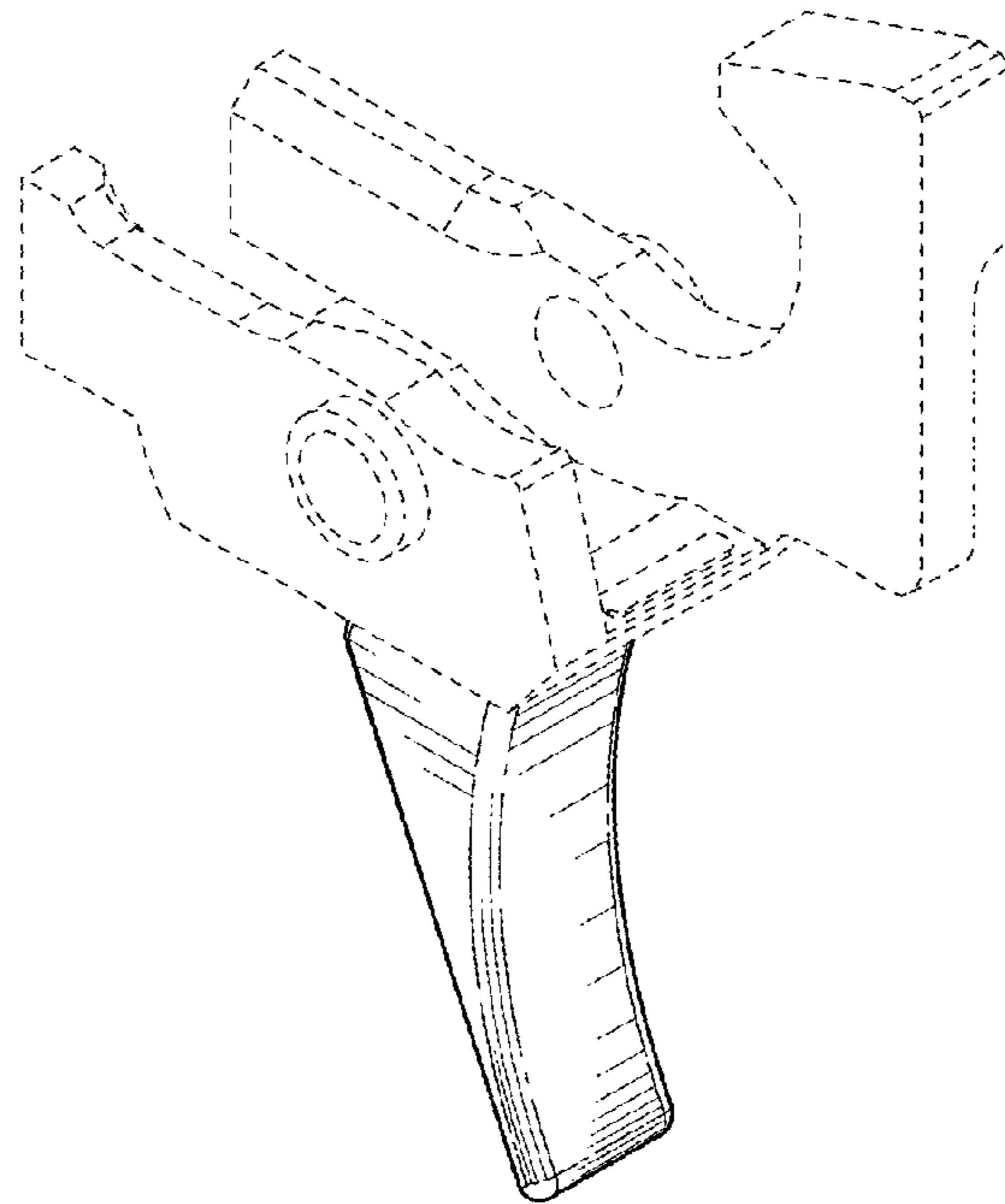


FIG. 20

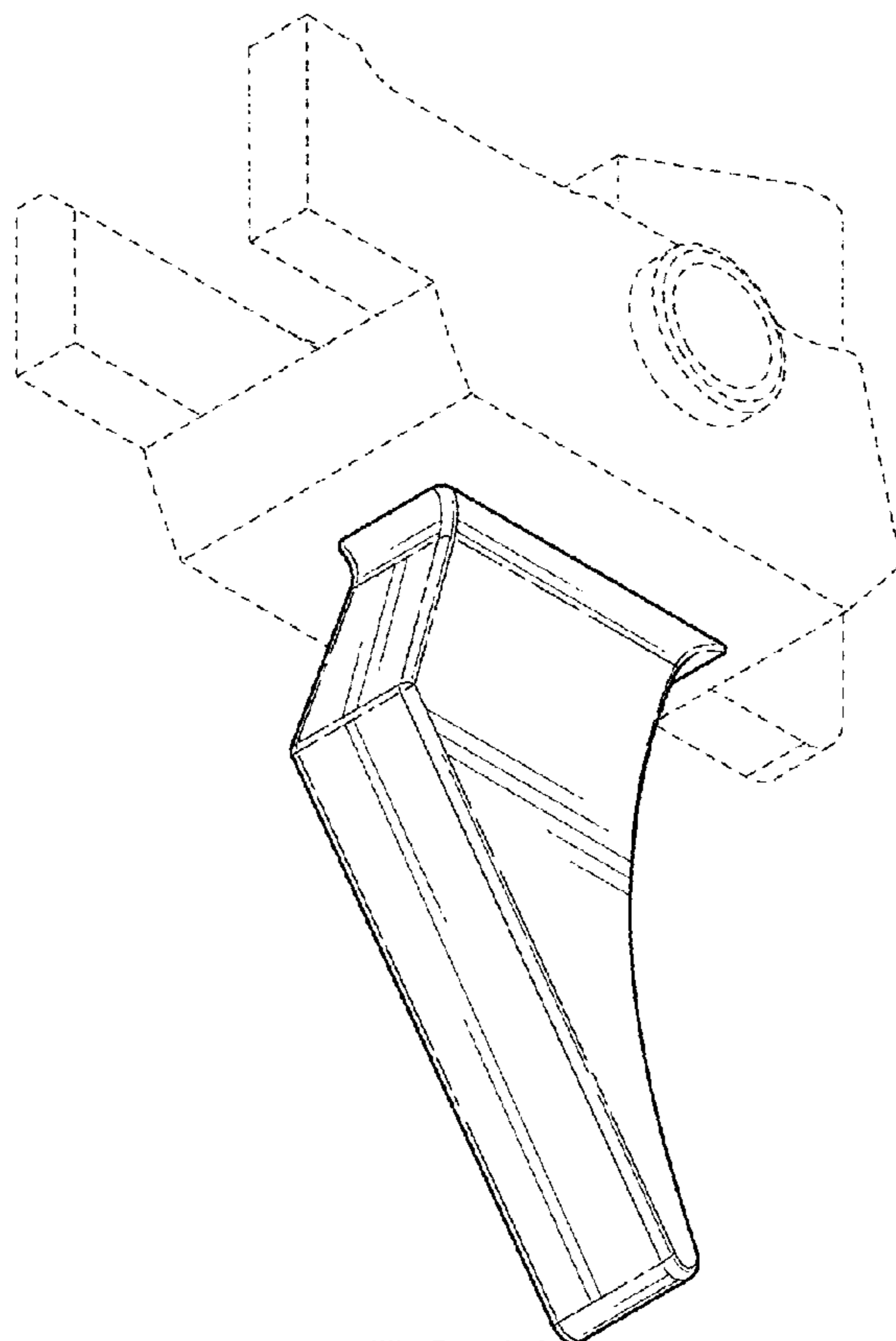


FIG. 21

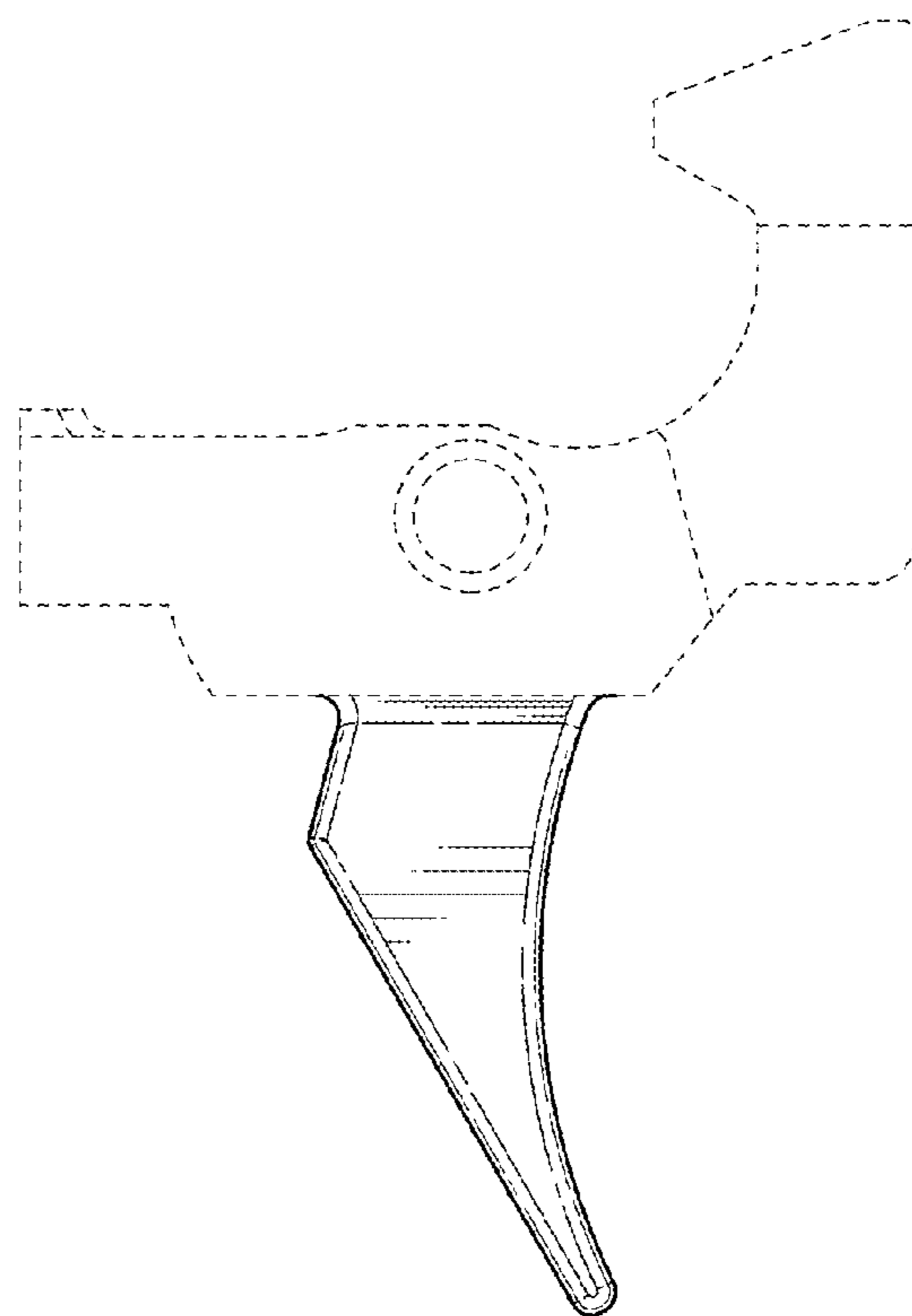


FIG. 22

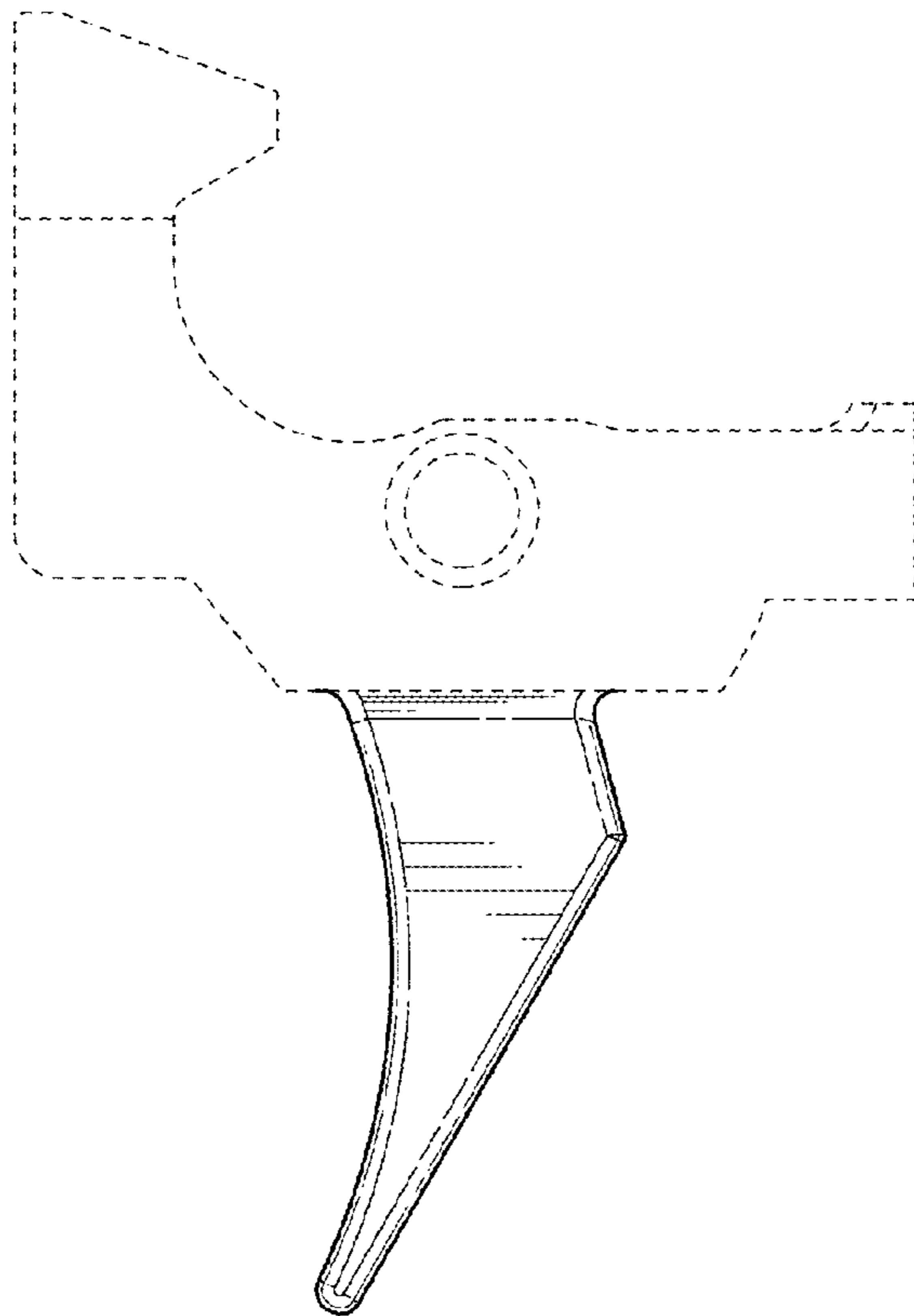


FIG. 23

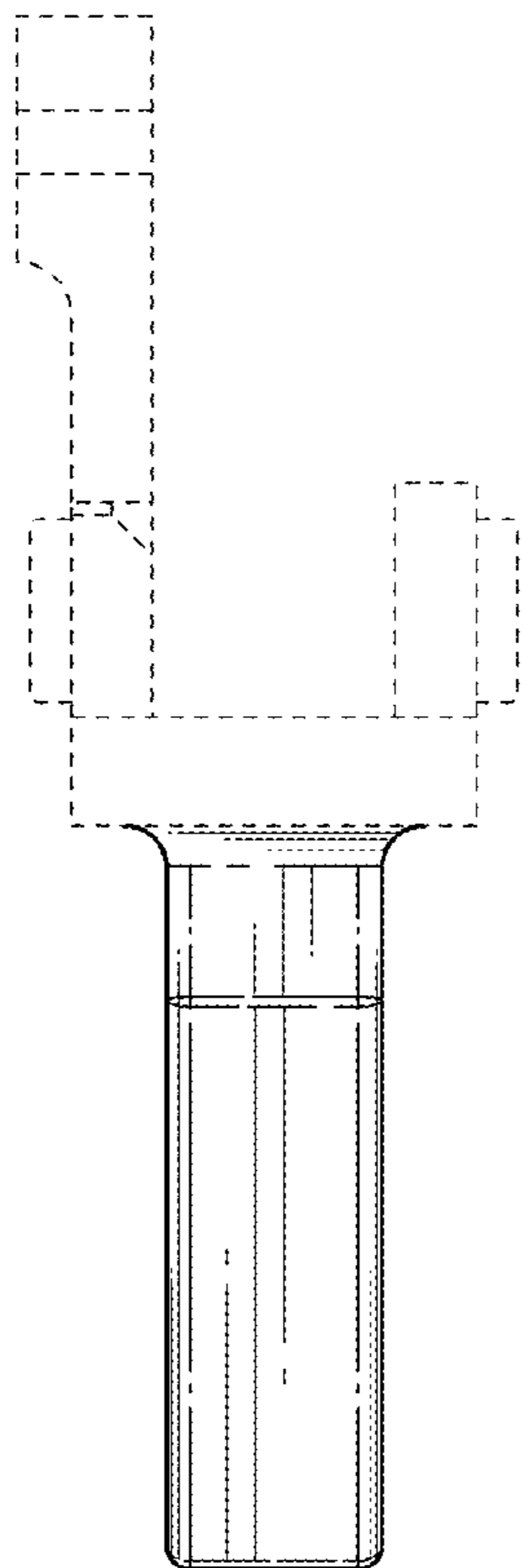


FIG. 24

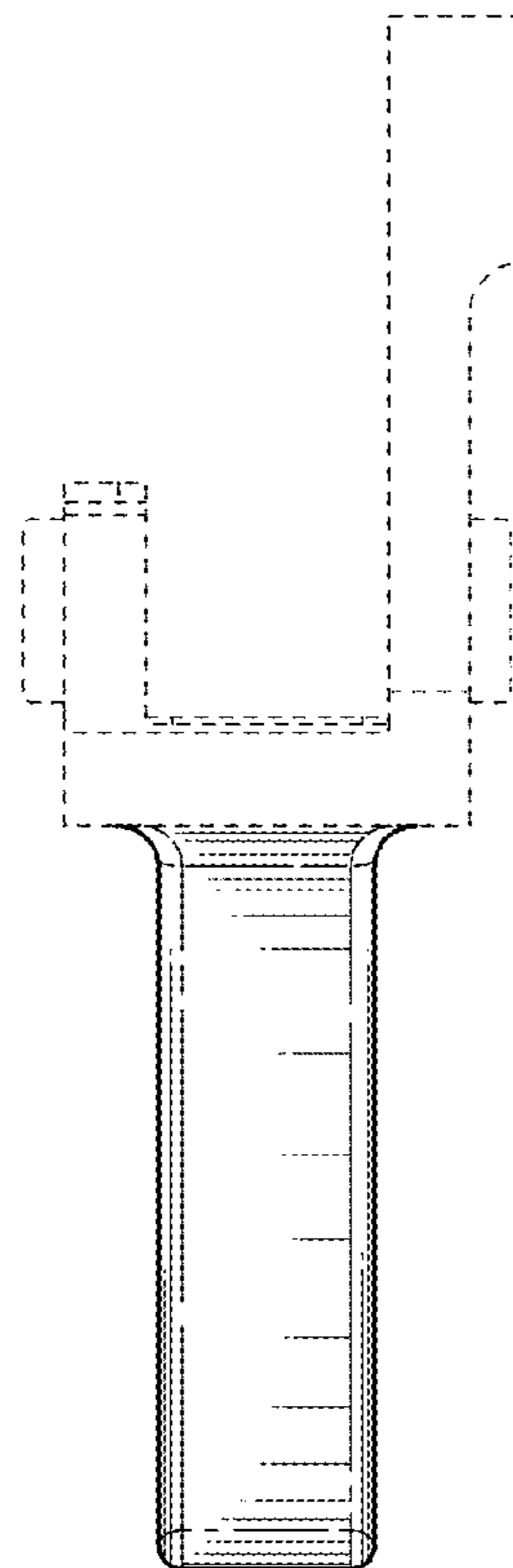


FIG. 25

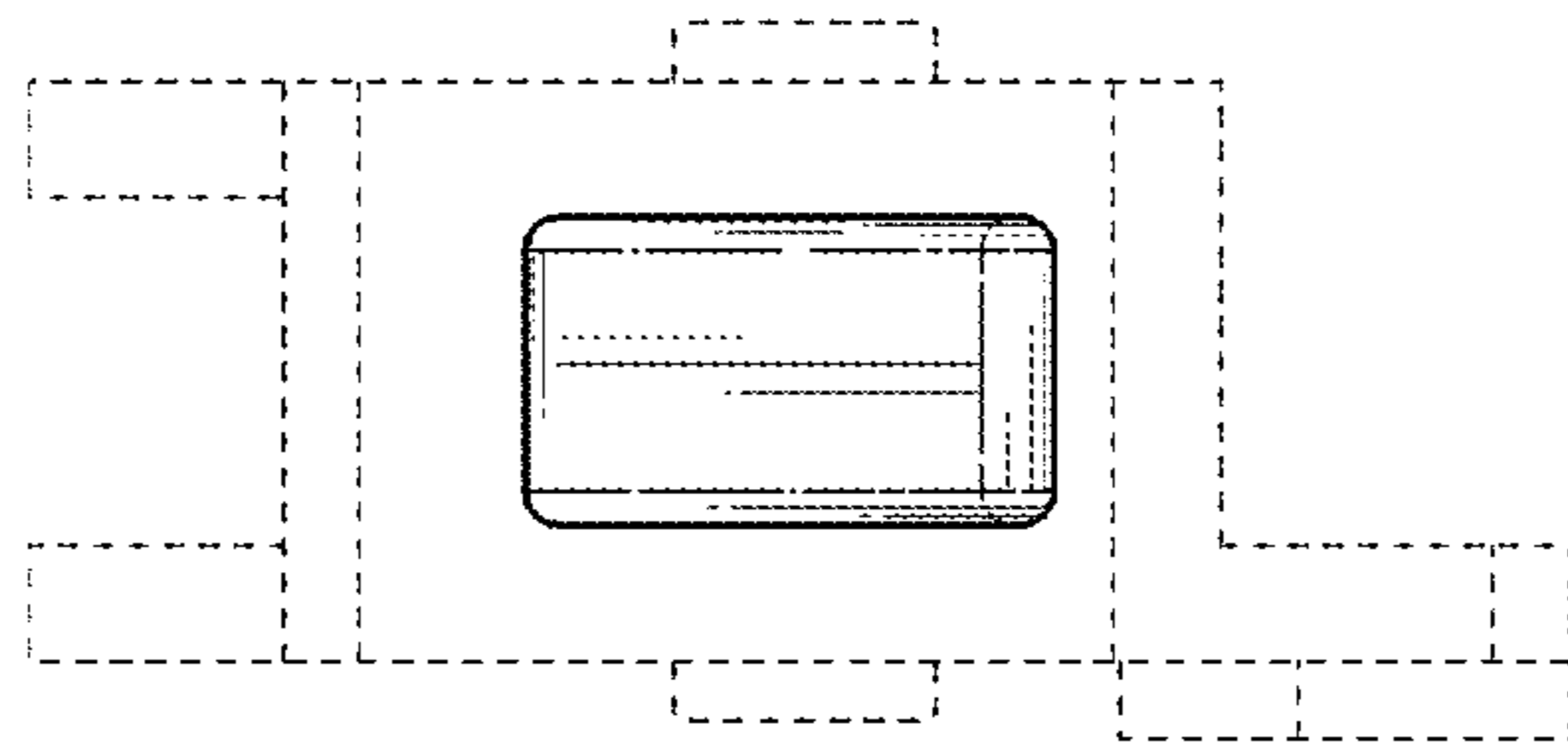


FIG. 26

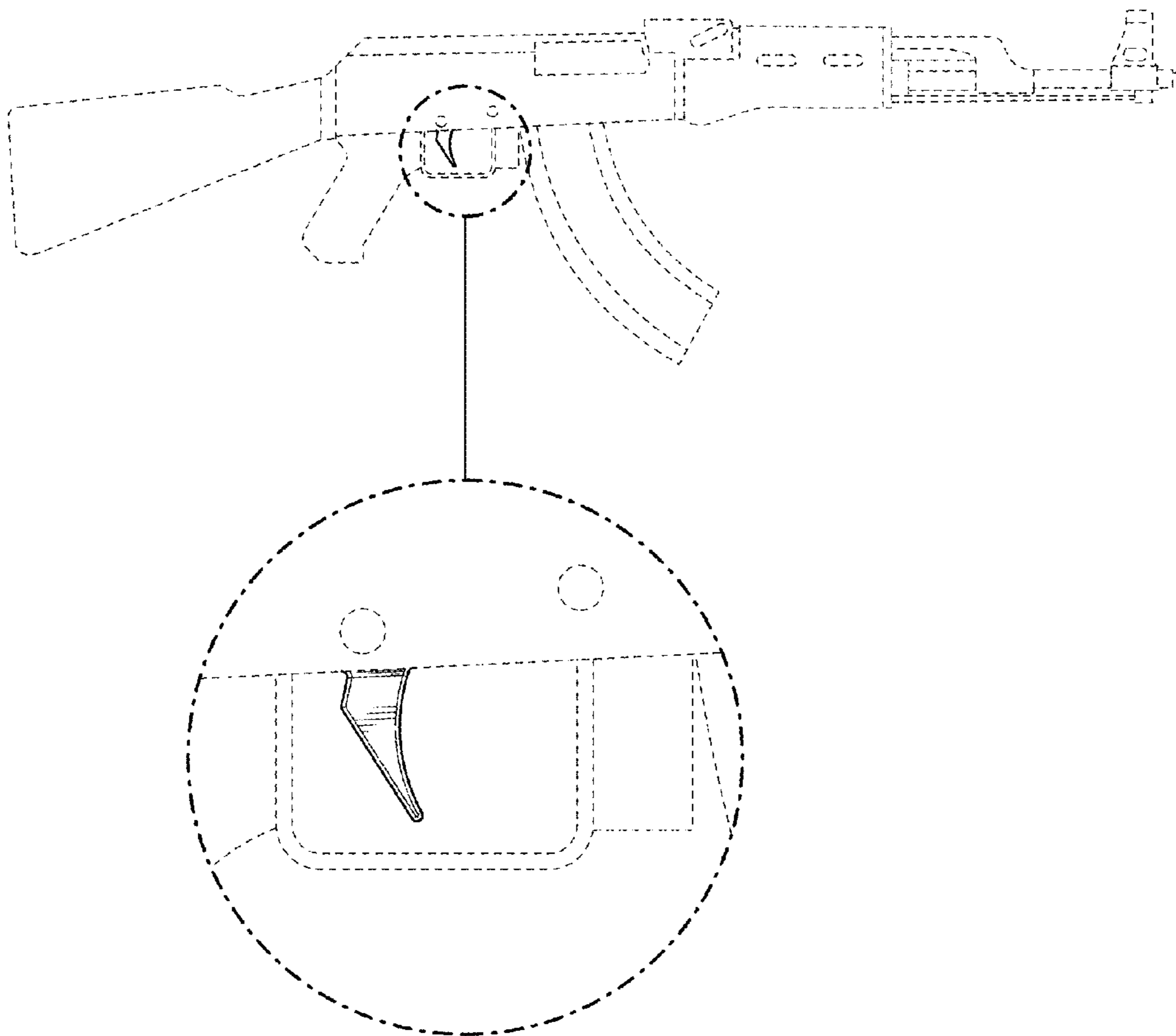


FIG. 27