



US00D755338S

(12) **United States Design Patent**
Slank

(10) **Patent No.:** **US D755,338 S**

(45) **Date of Patent:** **** May 3, 2016**

(54) **FIREARM RECEIVER**

(71) Applicant: **Adam E. Slank**, Austin, TX (US)

(72) Inventor: **Adam E. Slank**, Austin, TX (US)

(**) Term: **14 Years**

(21) Appl. No.: **29/511,240**

(22) Filed: **Dec. 9, 2014**

(51) **LOC (10) Cl.** **22-01**

(52) **U.S. Cl.**
USPC **D22/108**

(58) **Field of Classification Search**
USPC D22/103, 108; D21/572-575
CPC F41C 23/00; F41C 27/00; F41C 27/06;
F41C 23/10; F41C 23/14; F41C 23/16;
F41C 23/18; F41A 5/18; F41A 5/24; F41A
21/28

See application file for complete search history.

(56) **References Cited**

U.S. PATENT DOCUMENTS

6,722,072	B1 *	4/2004	McCormick	F41A 19/10 42/69.03
9,121,652	B1 *	9/2015	Mangiameli	F41A 9/64
2005/0183310	A1 *	8/2005	Finn	F41A 17/38 42/49.01
2005/0183317	A1 *	8/2005	Finn	F41A 19/11 42/72
2010/0000139	A1 *	1/2010	Brown	F41A 3/66 42/96
2013/0227869	A1 *	9/2013	Thordsen	F41C 27/00 42/6
2014/0230298	A1 *	8/2014	King, Jr.	F41A 21/00 42/16

2015/0000171	A1 *	1/2015	Roberts	F41A 3/66 42/75.03
2015/0052793	A1 *	2/2015	Cassady	F41A 9/61 42/8
2015/0153125	A1 *	6/2015	Lutton	F41A 17/46 42/69.01
2015/0323273	A1 *	11/2015	McGinty	F41A 3/26 42/25
2016/0018181	A1 *	1/2016	Swadener	F41A 3/72 42/90

* cited by examiner

Primary Examiner — Michael A Pratt

(74) *Attorney, Agent, or Firm* — David O. Simmons

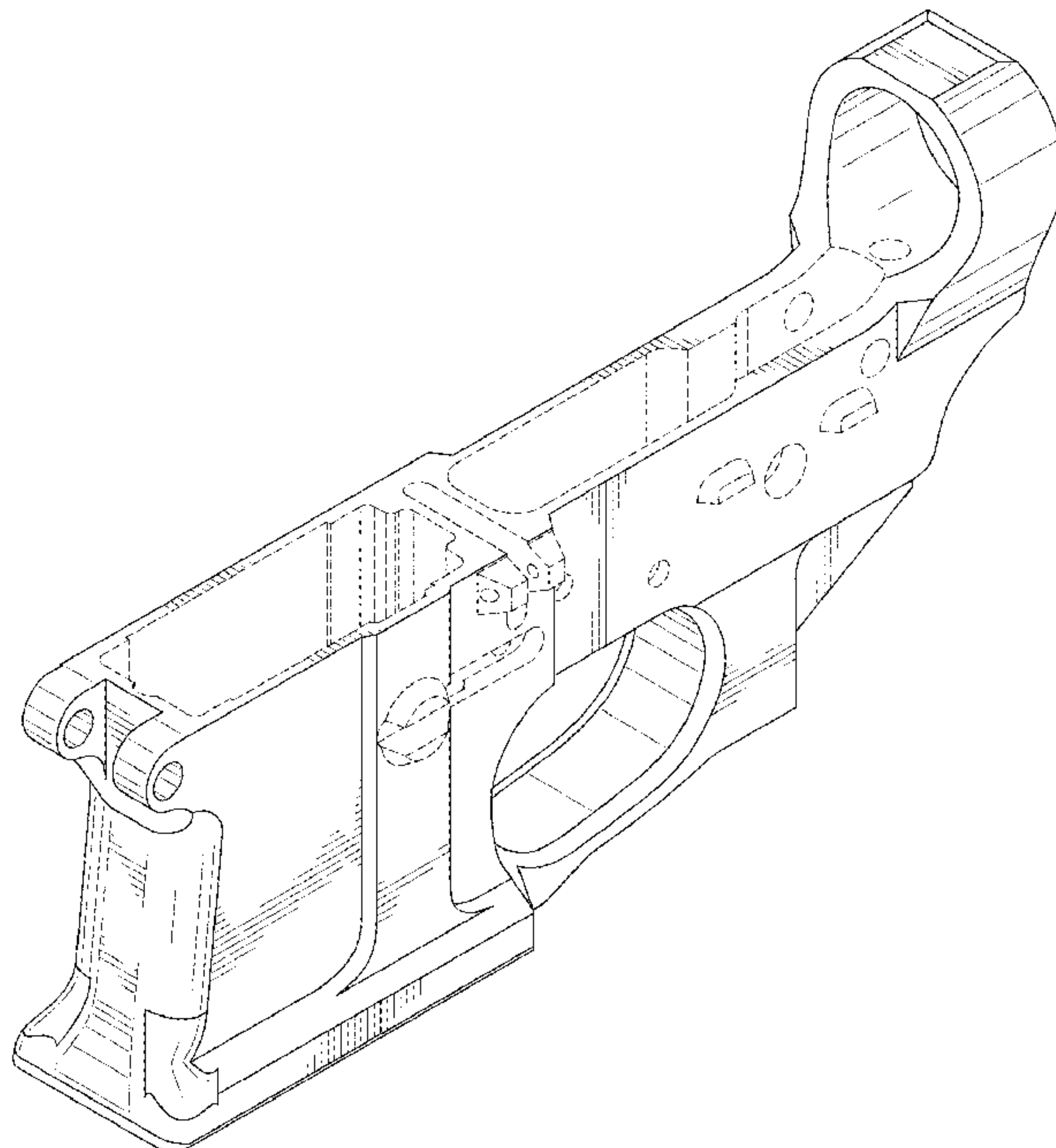
(57) **CLAIM**

The ornamental design for a firearm receiver, as shown and described.

DESCRIPTION

FIG. 1 is a first perspective view of a firearm receiver in accordance with an embodiment of the present invention; FIG. 2 is a second perspective view of the firearm receiver shown in FIG. 1; FIG. 3 is a rear view of the firearm receiver shown in FIG. 1; FIG. 4 is a front view of the firearm receiver shown in FIG. 1; FIG. 5 is a right side view of the firearm receiver shown in FIG. 1; FIG. 6 is a left side view of the firearm receiver shown in FIG. 1; FIG. 7 is a top view of the firearm receiver shown in FIG. 1; and, FIG. 8 is a bottom view of the firearm receiver shown in FIG. 1. The broken lines in FIGS. 1-8 form no part of the claimed design.

1 Claim, 7 Drawing Sheets



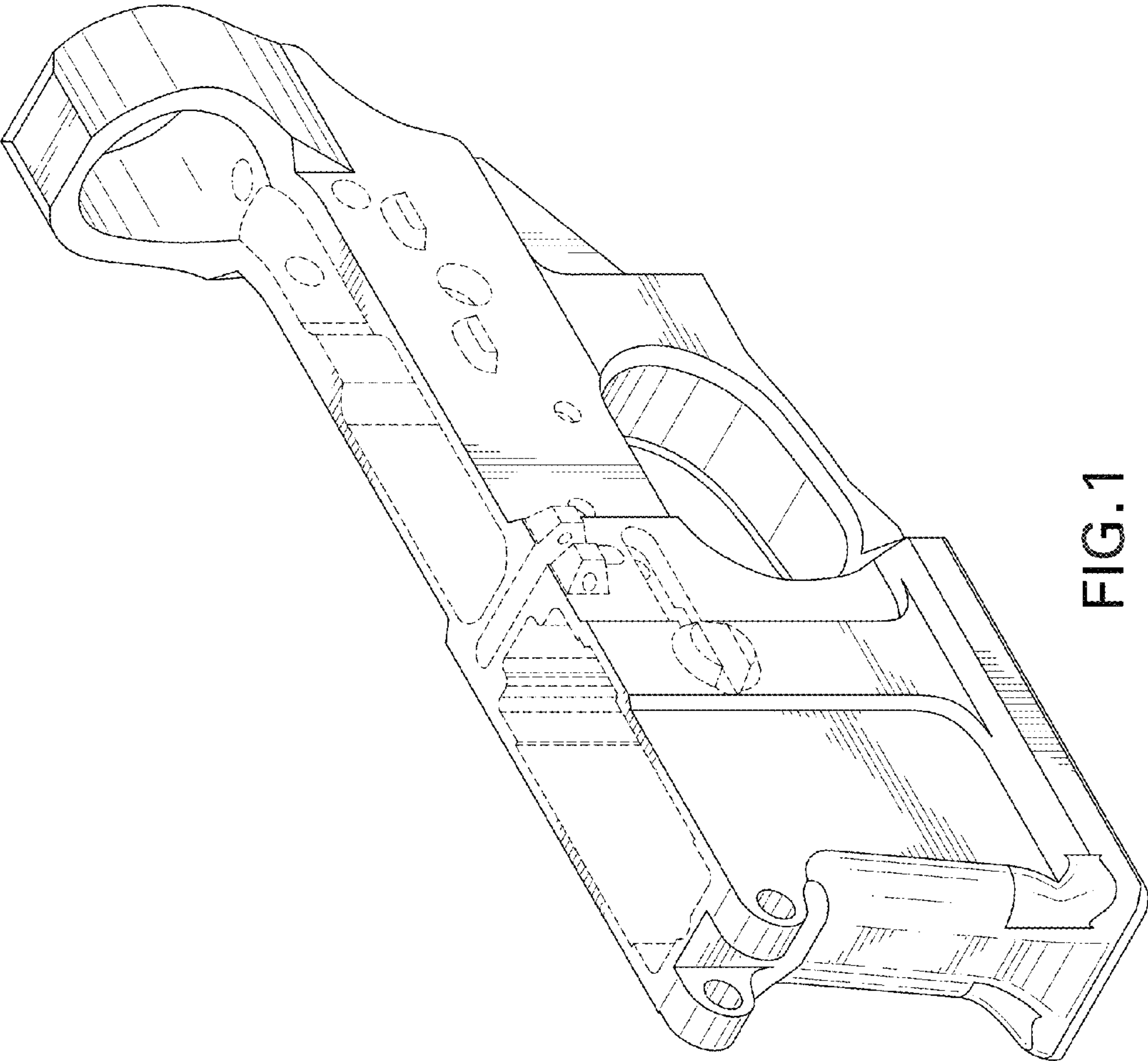


FIG. 1

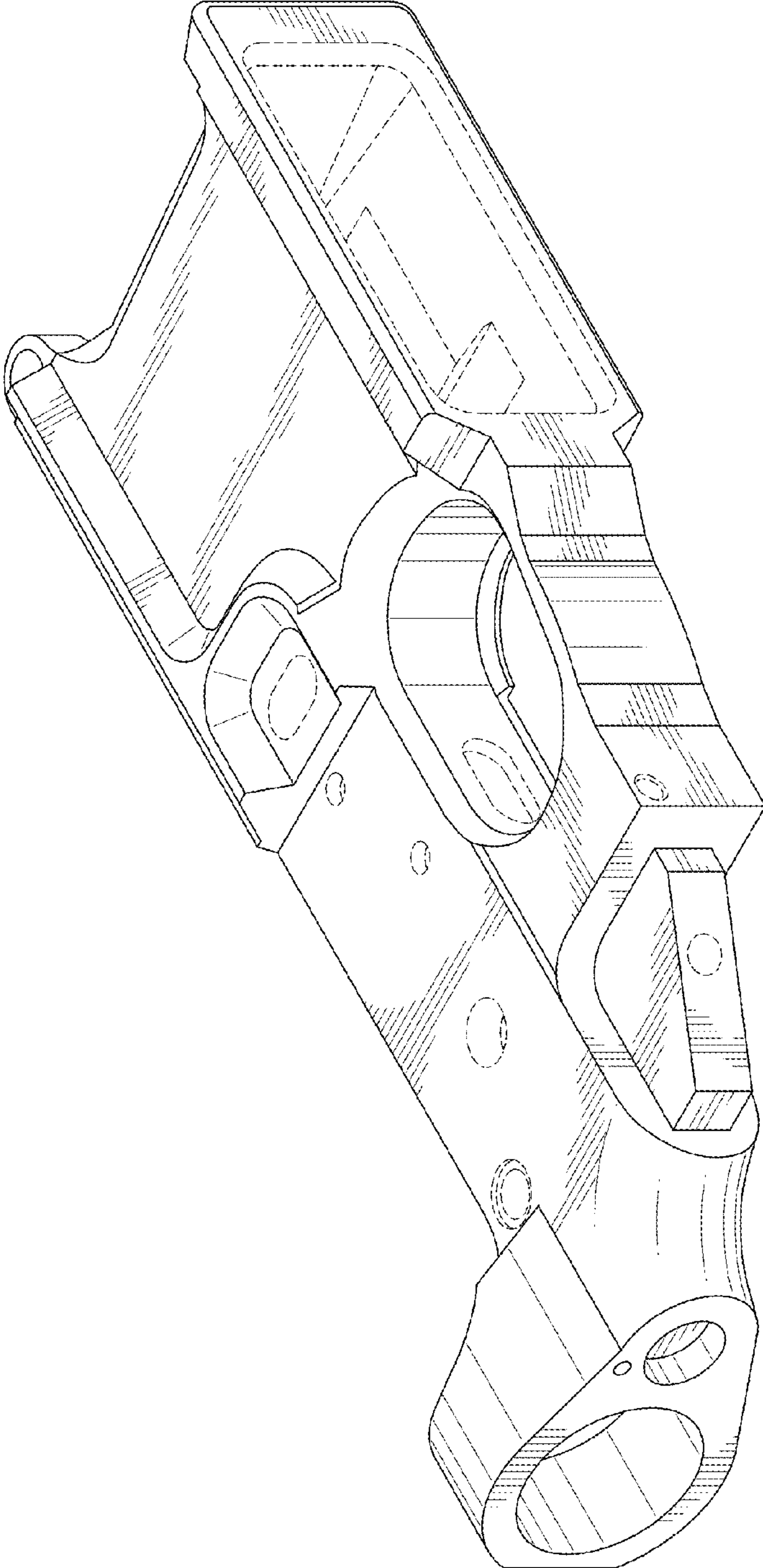


FIG. 2

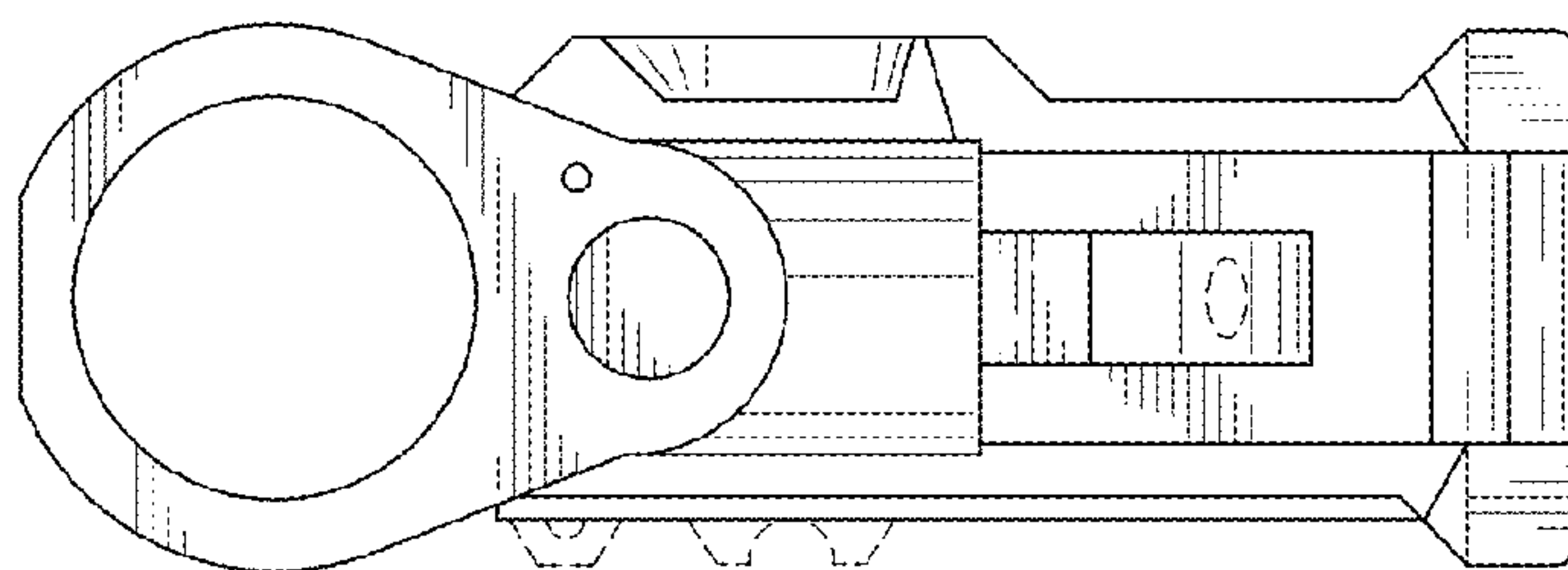


FIG. 4

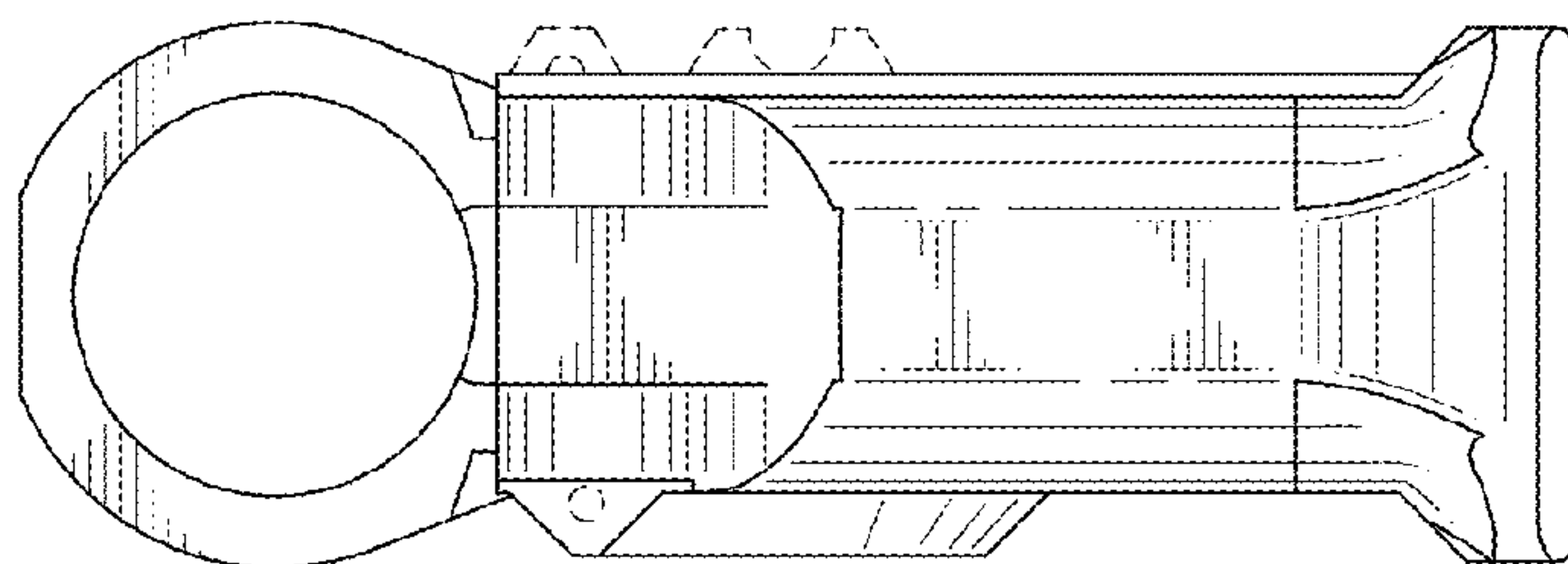


FIG. 3

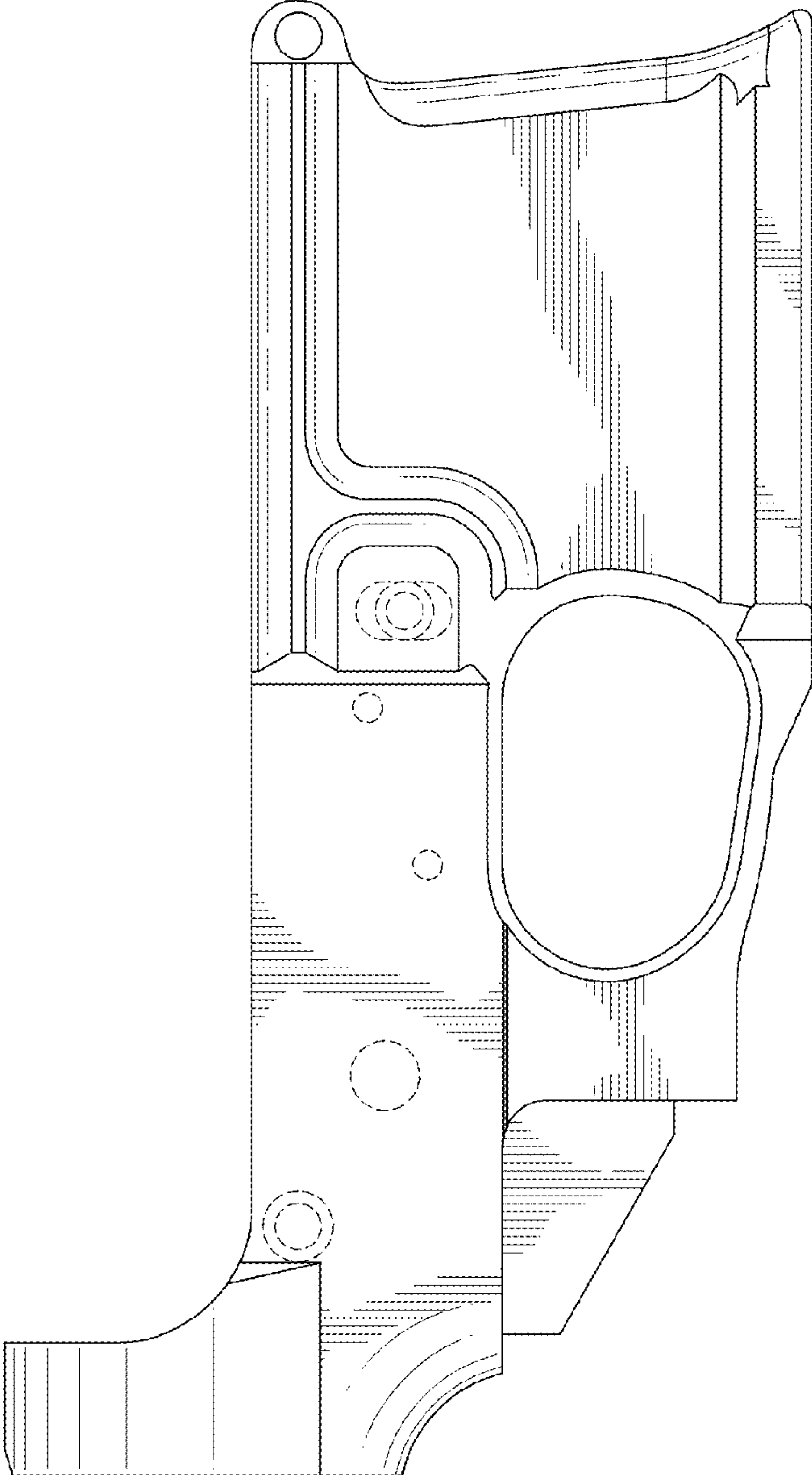


FIG. 5

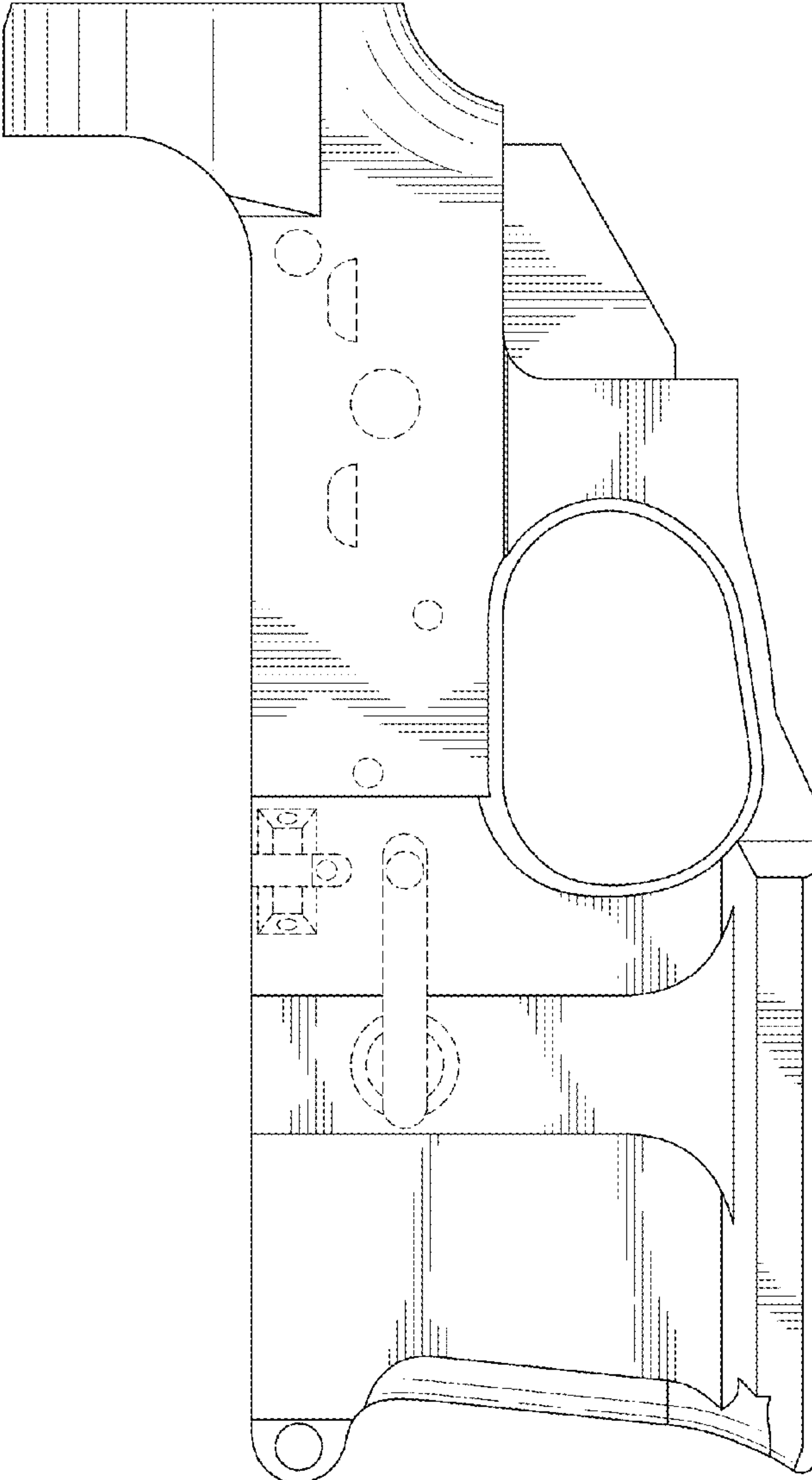


FIG. 6

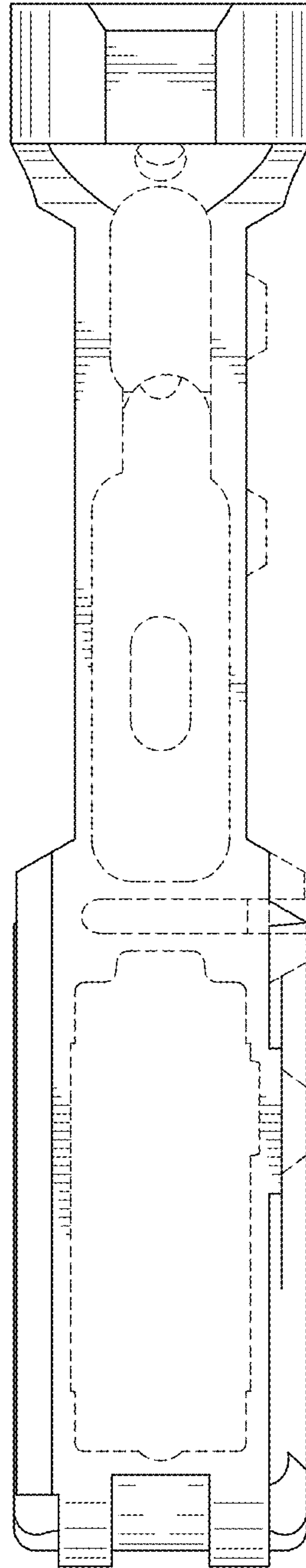


FIG. 7

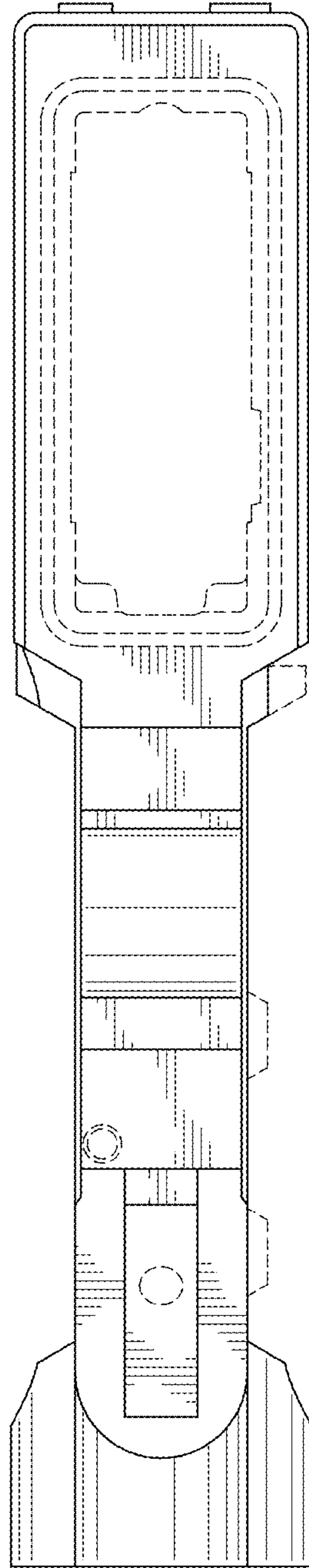


FIG. 8