



US00D755335S

(12) **United States Design Patent**
Alis

(10) **Patent No.:** **US D755,335 S**

(45) **Date of Patent:** **** May 3, 2016**

(54) **SUBMACHINE GUN**

(56) **References Cited**

(71) Applicant: **Sarsilmaz Silah Sanayi A.S.**, Düzce (TR)

U.S. PATENT DOCUMENTS

(72) Inventor: **Latif Aral Alis**, Duzce (TR)

6,722,072	B1 *	4/2004	McCormick	F41A 19/10 42/69.03
9,121,652	B1 *	9/2015	Mangiameli	F41A 9/64
2005/0183310	A1 *	8/2005	Finn	F41A 17/38 42/49.01
2005/0183317	A1 *	8/2005	Finn	F41A 19/11 42/72
2010/0000139	A1 *	1/2010	Brown	F41A 3/66 42/96
2013/0227869	A1 *	9/2013	Thordsen	F41C 27/00 42/6
2014/0230298	A1 *	8/2014	King, Jr.	F41A 21/00 42/16
2015/0000171	A1 *	1/2015	Roberts	F41A 3/66 42/75.03
2015/0052793	A1 *	2/2015	Cassady	F41A 9/61 42/8
2015/0153125	A1 *	6/2015	Lutton	F41A 17/46 42/69.01
2015/0323273	A1 *	11/2015	McGinty	F41A 3/26 42/25
2016/0018181	A1 *	1/2016	Swadener	F41A 3/72 42/90

(73) Assignee: **Sarsilmaz Silah Sanayi A.S.**, Duzce (TR)

(**) Term: **14 Years**

(21) Appl. No.: **29/510,870**

(22) Filed: **Dec. 4, 2014**

Related U.S. Application Data

(62) Division of application No. 29/460,711, filed on Jul. 12, 2013, now Pat. No. Des. 724,168.

(30) **Foreign Application Priority Data**

Mar. 20, 2013 (TR) 2013-02247

(51) **LOC (10) Cl.** **22-01**

(52) **U.S. Cl.**
USPC **D22/108**

(58) **Field of Classification Search**
USPC D22/103, 108; D21/572-575
CPC F41C 23/00; F41C 27/00; F41C 27/06;
F41C 23/10; F41C 23/14; F41C 23/16;
F41C 23/18; F41A 5/18; F41A 5/24; F41A
21/28

See application file for complete search history.

* cited by examiner

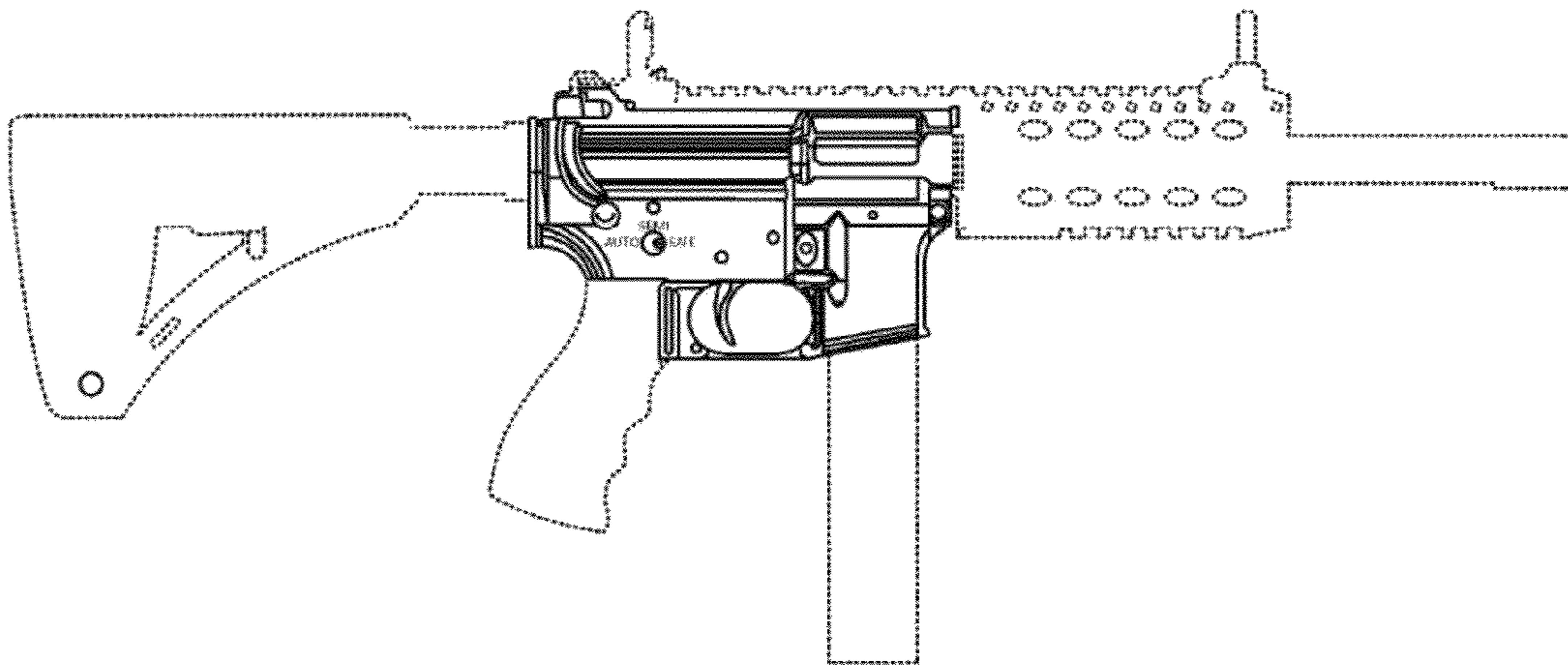
Primary Examiner — Michael A Pratt
(74) *Attorney, Agent, or Firm* — Gokalp Bayramoglu

(57) **CLAIM**
The ornamental design for a submachine gun, as shown and described.

DESCRIPTION

FIG. 1 is a side view of the submachine gun; and, FIG. 2 is a side view of the submachine gun.

1 Claim, 2 Drawing Sheets



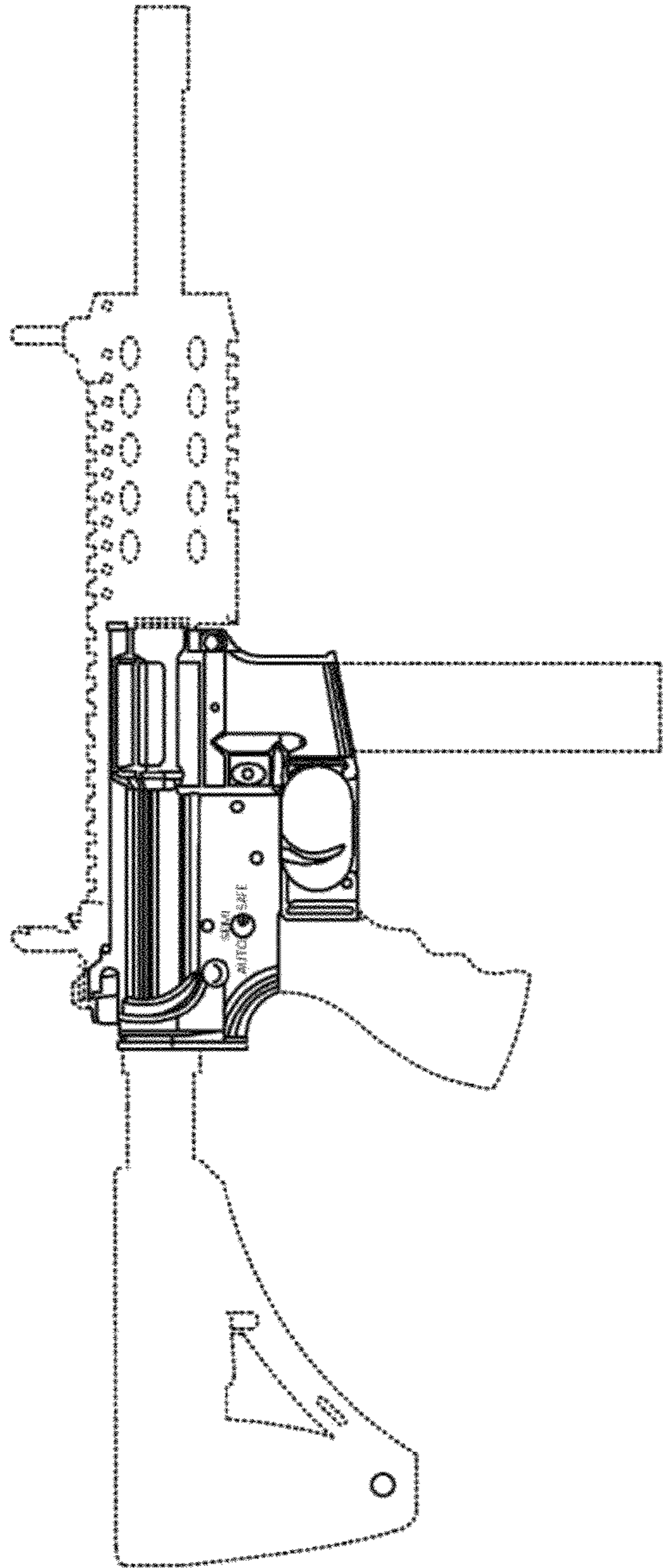


FIG. 1

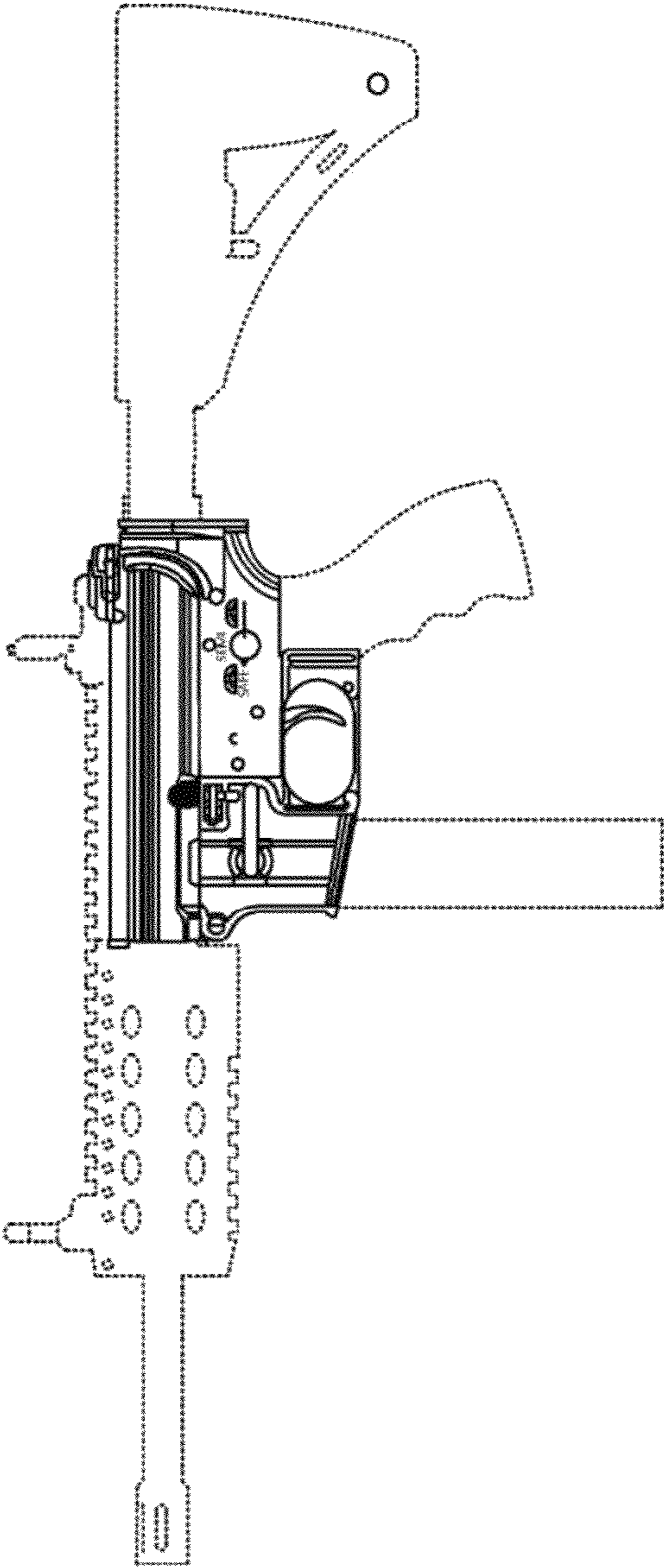


FIG. 2