



US00D755333S

(12) **United States Design Patent**
Kielsmeier et al.

(10) **Patent No.:** **US D755,333 S**
(45) **Date of Patent:** **** May 3, 2016**

- (54) **HAND STOP FOR A FIREARM**
- (71) Applicant: **Magpul Industries Corporation**, Erie, CO (US)
- (72) Inventors: **Nicholas Kielsmeier**, Denver, CO (US); **Michael T. Mayberry**, Denver, CO (US); **Duane Liptak**, Erie, CO (US)
- (73) Assignee: **Magpul Industries Corporation**, Louisville, CO (US)
- (**) Term: **14 Years**
- (21) Appl. No.: **29/510,106**
- (22) Filed: **Nov. 25, 2014**
- (51) **LOC (10) Cl.** **22-01**
- (52) **U.S. Cl.**
USPC **D22/108**
- (58) **Field of Classification Search**
USPC D22/108; D8/68
CPC F41C 23/10; F41C 23/14; F41C 23/16;
F41C 23/18
See application file for complete search history.

7,430,828 B2 10/2008 Munst
7,562,483 B2 7/2009 Hines
D625,378 S 10/2010 Fitzpatrick
7,823,316 B2 11/2010 Storch

(Continued)

OTHER PUBLICATIONS

Bravo Company USA Sling-Swivel-Mounts, Online Catalog (2010), <http://www.bravocompanyusa.com/Sling-Swivel-Mounts-s/63.htm>.

(Continued)

Primary Examiner — Michael A Pratt

(74) *Attorney, Agent, or Firm* — Swanson & Bratschun, L.L.C.

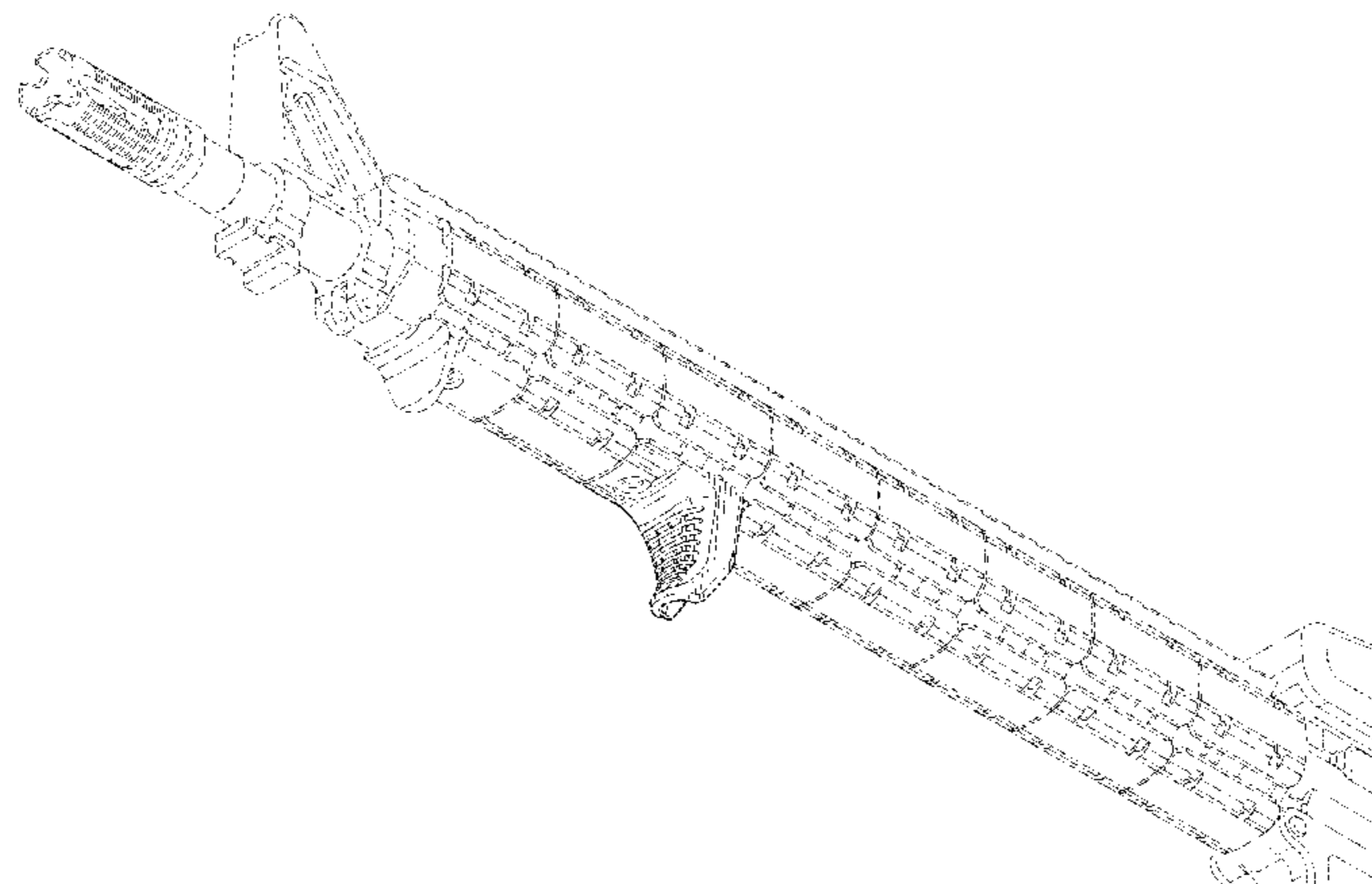
(57) **CLAIM**

The ornamental design for a hand stop for a firearm, as shown and described.

DESCRIPTION

FIG. 1 is a left, front, bottom perspective view of a embodiment of a hand stop for a firearm attached to a firearm hand guard showing our new design;
 FIG. 2 is a left, front, bottom perspective view of the hand stop for a firearm of FIG. 1;
 FIG. 3 is a front elevation view of the hand stop for a firearm of FIG. 1;
 FIG. 4 is a rear elevation view of the hand stop for a firearm of FIG. 1;
 FIG. 5 is a left side elevation view of the hand stop for a firearm of FIG. 1;
 FIG. 6 is a right side elevation view of the hand stop for a firearm of FIG. 1;
 FIG. 7 is a top plan view of the hand stop for a firearm of FIG. 1; and,
 FIG. 8 is a bottom plan view of the hand stop for a firearm of FIG. 1.
 The broken lines showing portions of the design in all figures are included for the purpose of illustrating environment and unclaimed features and form no part of the claimed design.

1 Claim, 8 Drawing Sheets



(56)

References Cited

U.S. PATENT DOCUMENTS

7,845,105	B1	12/2010	Cahill	
7,856,749	B2	12/2010	Fitzpatrick	
D636,836	S	4/2011	Fitzpatrick et al.	
7,971,383	B2	7/2011	Fitzpatrick	
D652,470	S	1/2012	Trusty	
D667,917	S	9/2012	Fitzpatrick	
D668,731	S	10/2012	Fitzpatrick	
D676,920	S	2/2013	Fitzpatrick	
D691,236	S *	10/2013	Fitzpatrick	D22/108
D704,789	S	5/2014	Fitzpatrick	
D704,791	S	5/2014	Fitzpatrick et al.	
D706,378	S	6/2014	Fitzpatrick et al.	
D712,499	S *	9/2014	Pittman	D22/108
D745,623	S *	12/2015	Flores	D22/108
D745,624	S *	12/2015	Flores	D22/108
D745,940	S *	12/2015	Flores	D22/108
2003/0074822	A1	4/2003	Faifer	
2003/0106252	A1	6/2003	Hines	
2004/0000083	A1	1/2004	Grant	
2004/0064994	A1	4/2004	Luke	
2009/0038198	A1	2/2009	Yu	
2009/0241397	A1	10/2009	Fitzpatrick	
2010/0236124	A1	9/2010	Troy	
2010/0287808	A1	11/2010	King	
2011/0107643	A1	5/2011	Fitzpatrick	
2012/0085013	A1	4/2012	Cahill	

OTHER PUBLICATIONS

BravoCompanyUSA_Arisaka_Finger_Stop_KeyMod Bravo Company USA Arisaka Finger Stop KeyMod; Website [Online] Available Website: <http://www.bravocompanyusa.com/Arisaka-Finger-Stop-KeyMod-p/arisaka-fs-k.htm>; Last Update: Unknown; Accessed on: Feb. 10, 2015.

BravoCompanyUSA_MI_G2SS_PANEL_KIT_DE Bravo Company USA MI G2SS Panel Kit—DE; Website [Online] Available Website: <http://www.bravocompanyusa.com/MI-G2SS-PANEL-KIT-DE-p/mi-12ss-pk-de.htm>; Last Update: Unknown; Accessed on: Feb. 10, 2015.

BravoCompanyUSA_MI_HAND_STOP_BLACK Bravo Company USA MI Hand Stop—Black; Website [Online] Available Website: <http://www.bravocompanyusa.com/MI-HAND-STOP-BLACK-p/mi-ssp-hs.htm>; Last Update: Unknown; Accessed on: Feb. 10, 2015.

BravoCompanyUSA_2013_Magpul_MAG511_XTM_Hand_Stop_Kit_BLACK Bravo Company USA (Jan. 1, 2013) Magpul (MAG511) XTM Hand Stop Kit—Black; Website [Online] Available Website: <http://www.bravocompanyusa.com/Magpul-XTM-Hand-Stop-Kit-p/mag511-blk.htm>; Last Update: Sep. 28, 2013; Accessed on: Feb. 10, 2015.

Magpul_XTM_HAND_STOP_KIT_1913_PICATINNY Magpul Industries Corporation XTM® Hand Stop Kit 1913

Picatinny; Website [Online] Available Website: <http://www.magpul.com/products/xtm%C2%AE-hand-stop-kit?VariantID=VO343>; Last Update: Unknown; Accessed on: Feb. 10, 2015.

MidwayUSA_Midwest_Industries_KeyMod_Handstop_Textured_Polymer MidwayUSA Midwest Industries KeyMod Handstop Textured Polymer; Website [Online] Available Website: http://www.midwayusa.com/product/2344127427/midwest-industries-keymod-handstop-textured-polymer?cm_vc=ProductFinding; Last Update: Unknown; Accessed on: Feb. 10, 2015.

MidwayUSA_Samson_KeyMod_Handstop_for_Evolution_KeyMod_Free_Float_Handguard_AR15_Aluminum_Black MidwayUSA Samson KeyMod Handstop for Evolution KeyMod Free Float Handguard AR-15 Aluminum Black; Website [Online] Available Website: http://www.midwayusacom/product/999986/samson-keymod-handstop-for-evolution-keymod-free-float-handguard-ar-15-aluminum-black?cm_vc=ProductFinding; Last Update: Unknown; Accessed on: Feb. 10, 2015.

Noveske_2014_POLYMER_ACCESSORY_PACK Noveske (Feb. 10, 2014) Polymer Accessory Pack; Website [Online] Available Website: <http://www.shopnoveske.com/products/polymer-accessory-pack>; Last Update: Jul. 3, 2014; Accessed on: Feb. 10, 2015.

U.S. Appl. No. 12/359,096, “Rail Cover Panel for a Firearm” filed Jan. 23, 2009, (Issued).

Design U.S. Appl. No. 29/331,379, “Rail Cover” filed Jan. 23, 2009, (Issued).

U.S. Appl. No. 12/978,153, “Rail Cover Panel for a Firearm” filed Dec. 23, 2010, (Issued).

Design U.S. Appl. No. 29/400,004, “Rail Cover with Surface Partitions” filed Aug. 22, 2011, (Issued).

Design U.S. Appl. No. 29/400,006, “Rail Cover Half” filed Aug. 22, 2011, (Issued).

Design U.S. Appl. No. 29/400,489, “Rail Stop Attachment” filed Aug. 29, 2011, (Issued).

Design U.S. Appl. No. 29/400,444, “Rail Cover Index Attachment” filed Aug. 29, 2011, (Issued).

Design U.S. Appl. No. 29/424,972, “Rail Cover Panel with Surface Depressions” filed Jun. 18, 2012, (Issued).

Design U.S. Appl. No. 29/424,974, “Rail Finger Stop with Thick Base” filed Jun. 18, 2012, (Issued).

Design U.S. Appl. No. 29/440,345, “Rail Cover Half Panel with Surface Texture” filed Dec. 20, 2012, (Issued).

Design U.S. Appl. No. 29/443,123, “Rail-Mounted Sling Attachment” filed Jan. 14, 2013, (Issued).

Design U.S. Appl. No. 29/440,791, “Rail Cover Panel with Surface Texture” filed Dec. 27, 2012, (Issued).

Design U.S. Appl. No. 29/510,203, “Index Attachment for a Firearm” filed Nov. 25, 2014.

Wilson_Combat_Slingmounts_Online_2010 Wilson Combat Picatinny Rail Sling Mounts, Online Catalog (2010), http://www.wilsoncombat.com/r_pr_slingmounts.asp.

* cited by examiner

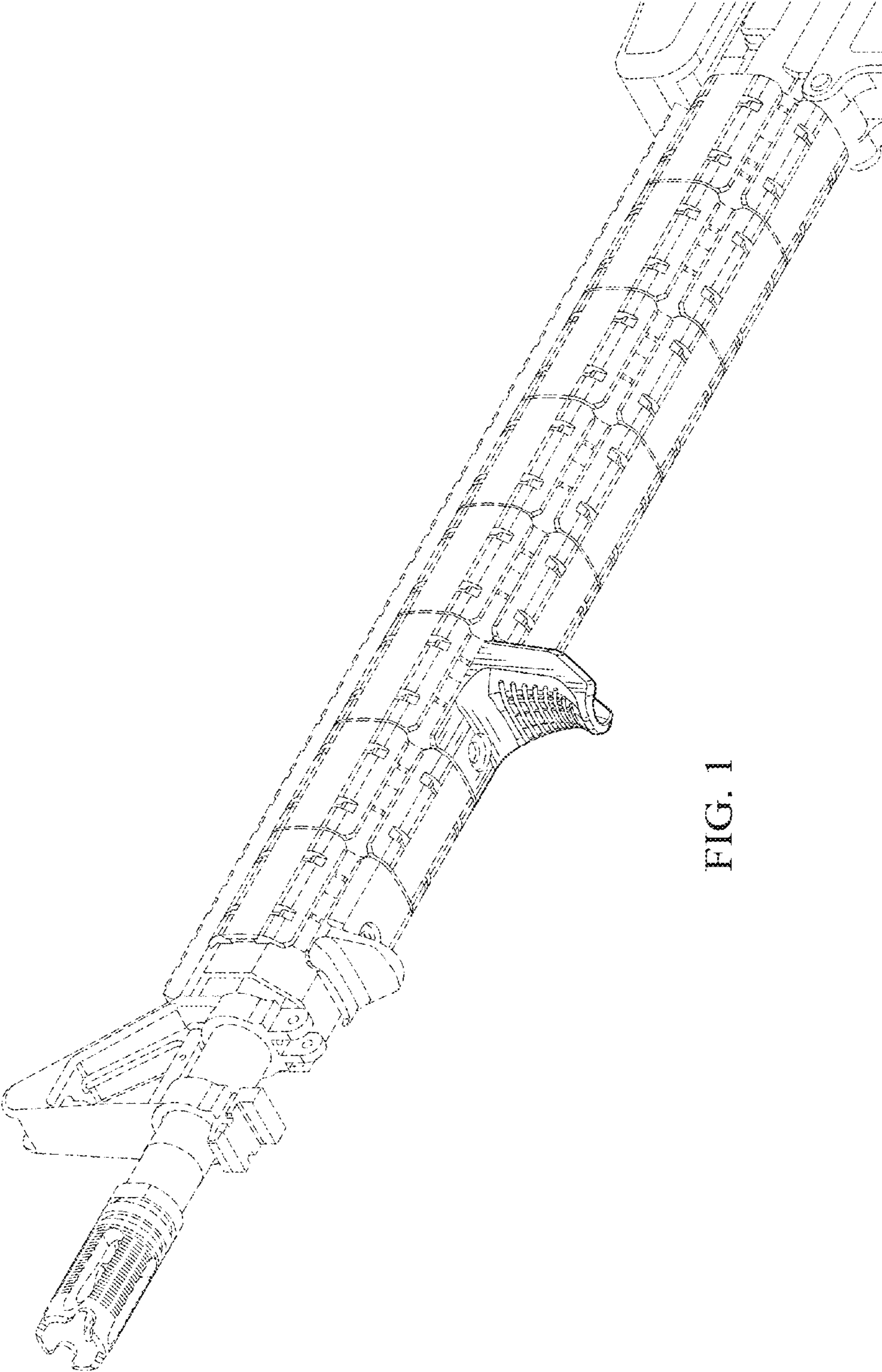


FIG. 1

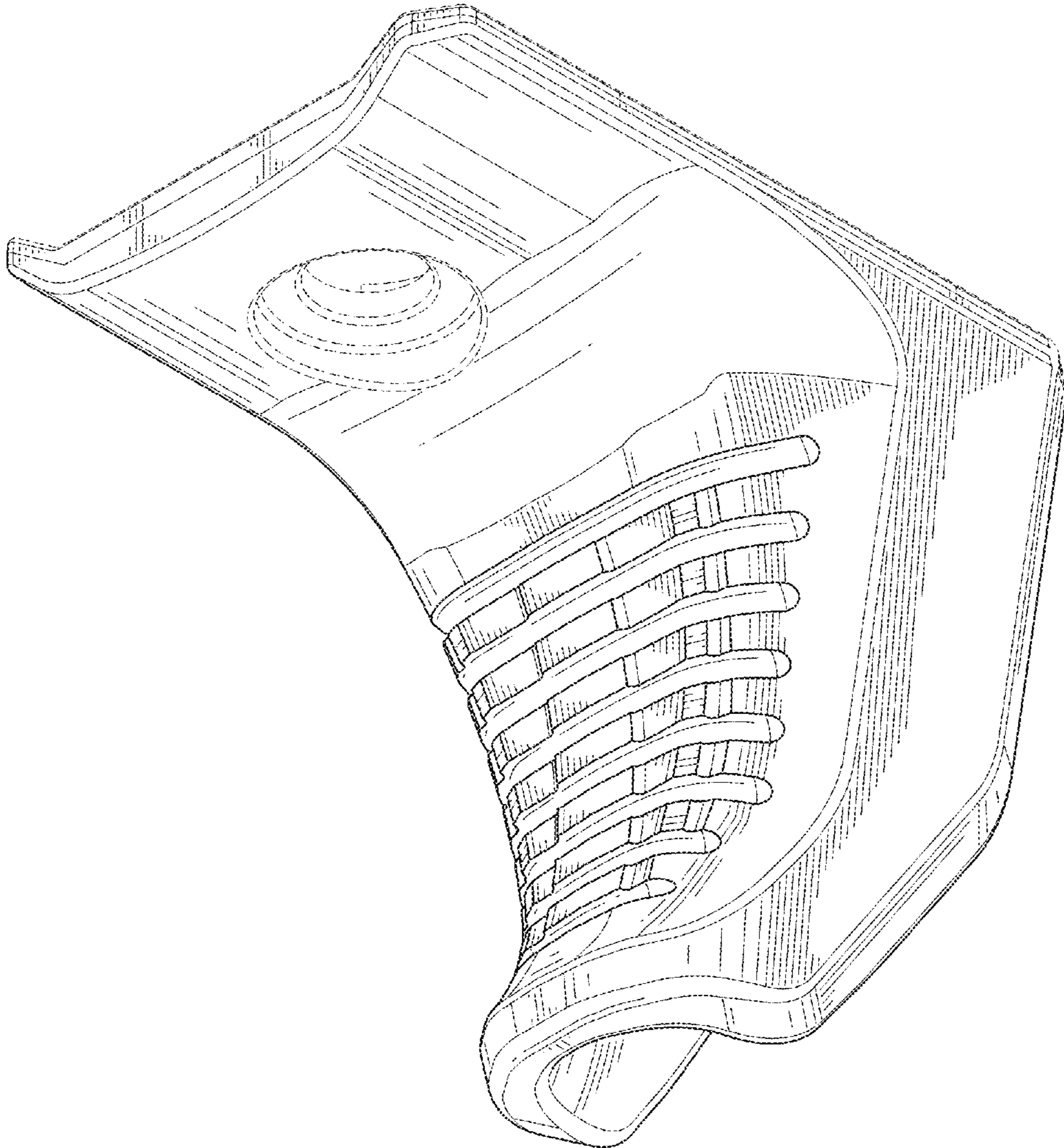


FIG. 2

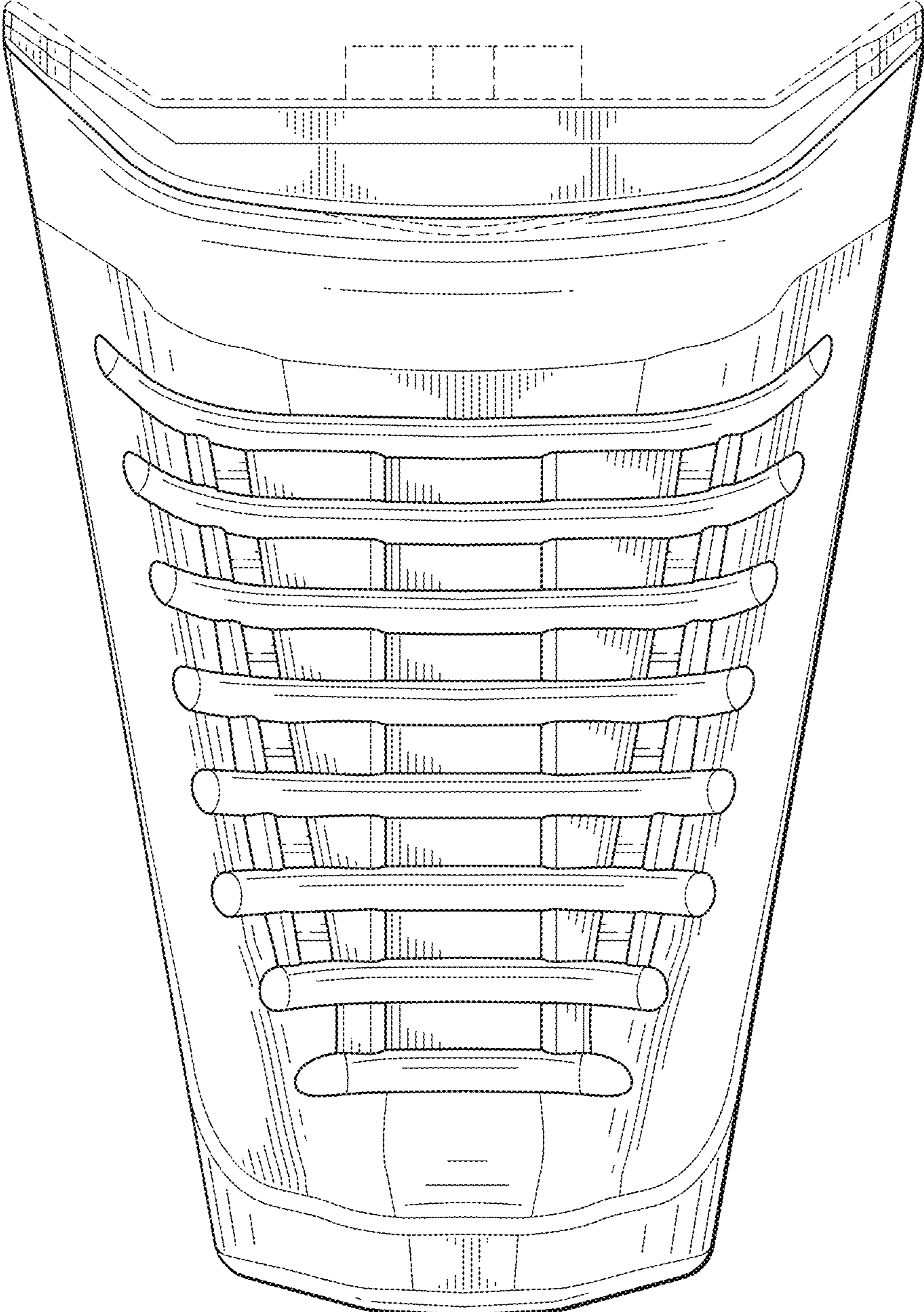


FIG. 3

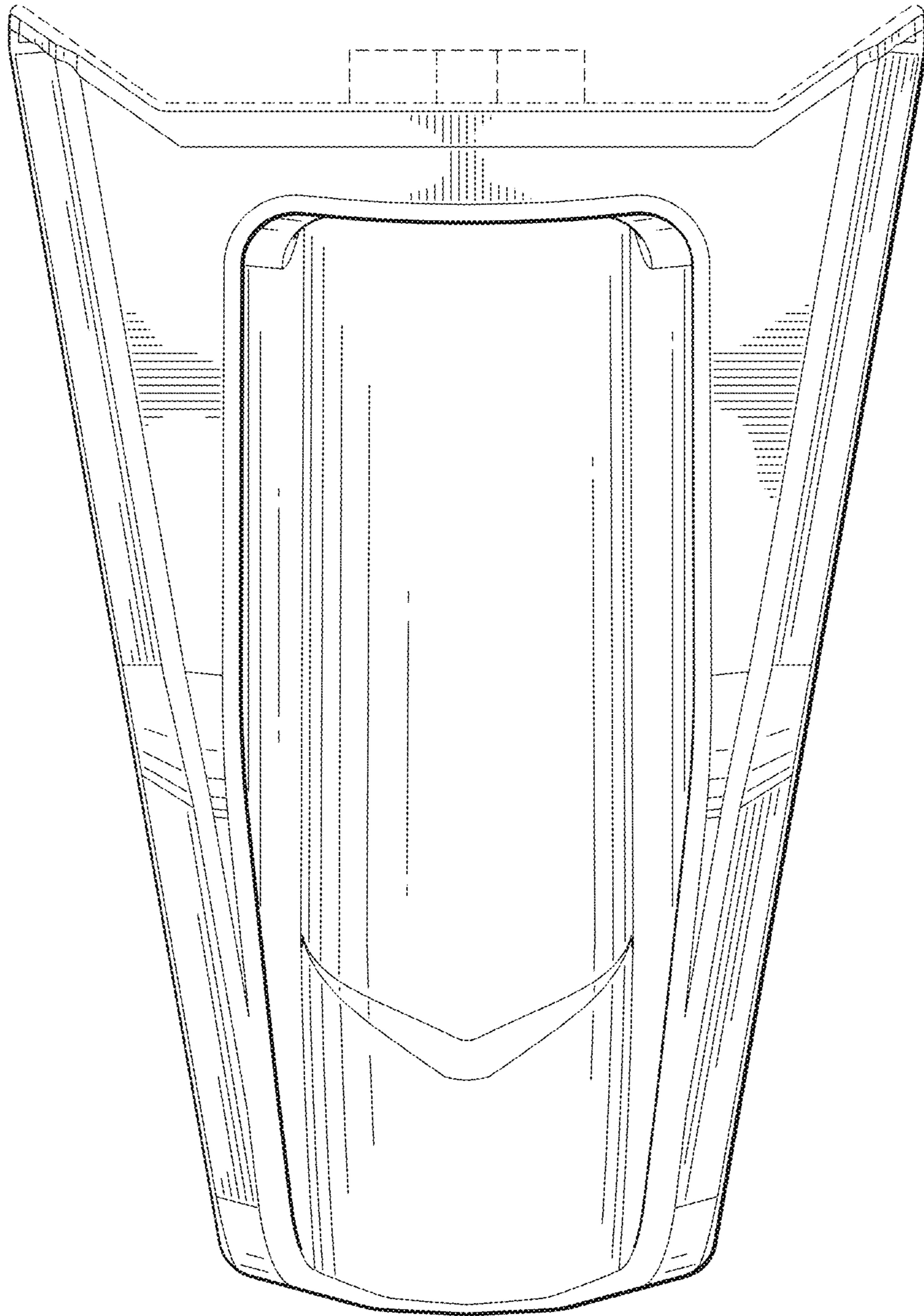


FIG. 4

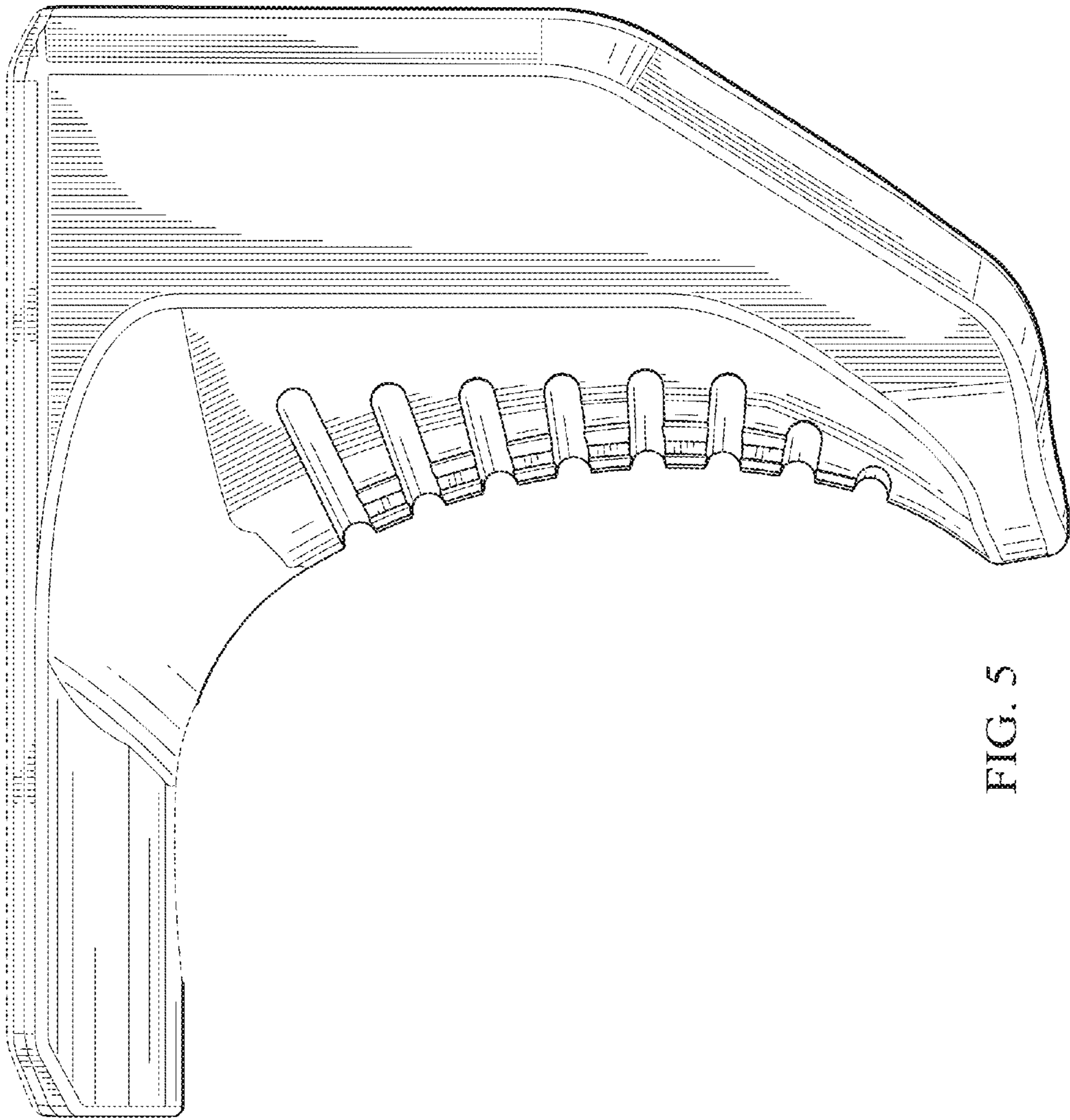


FIG. 5

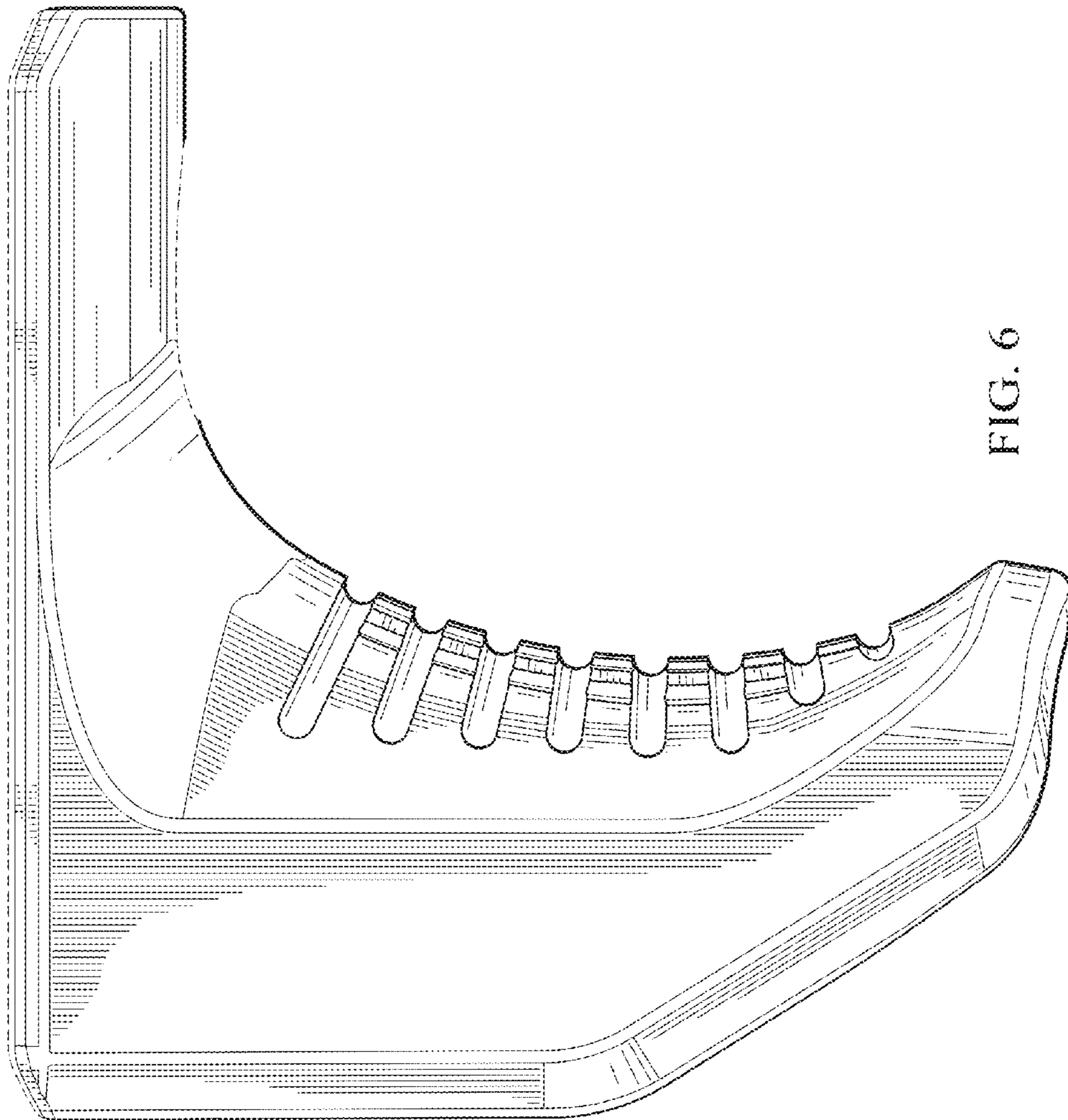


FIG. 6

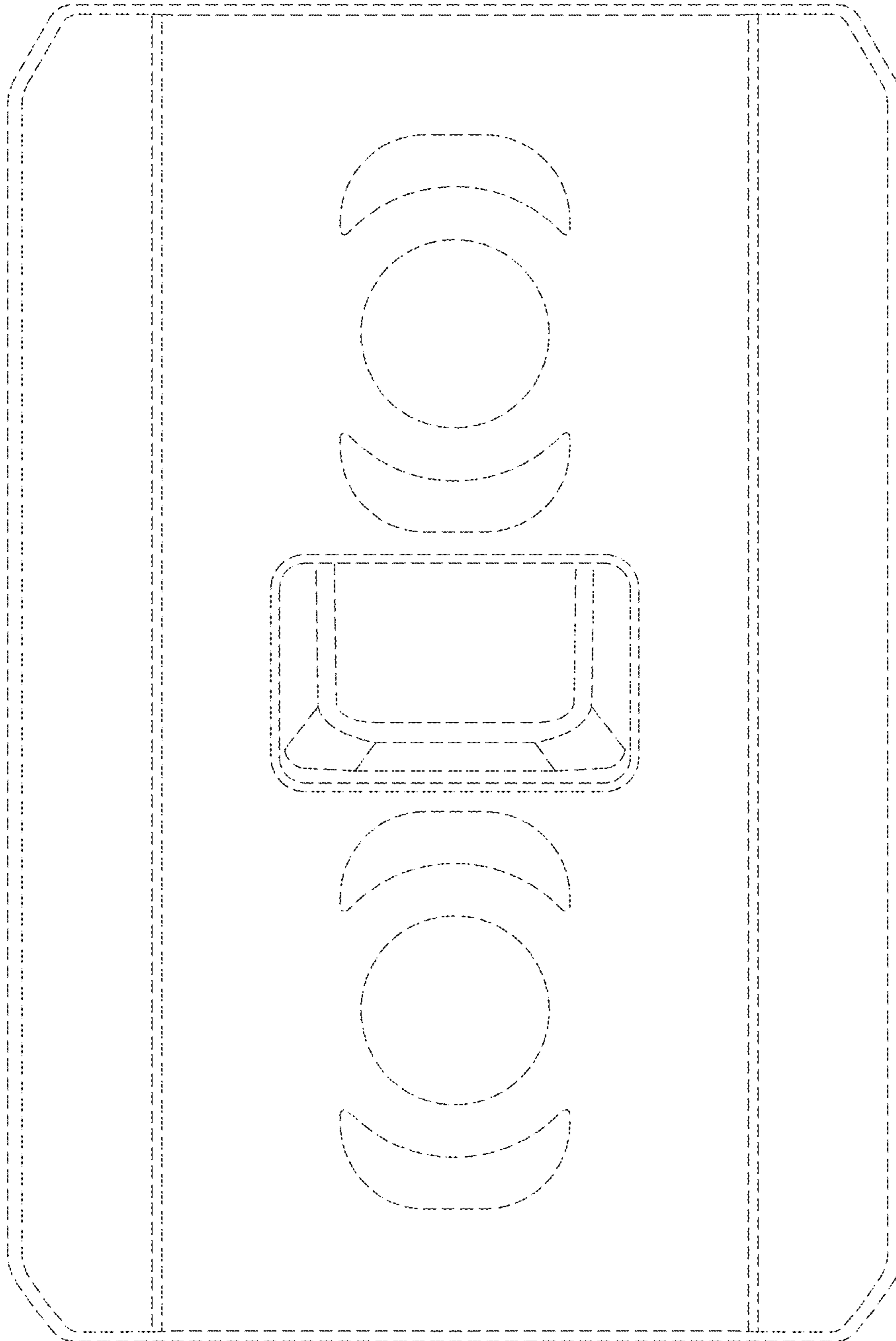


FIG. 7

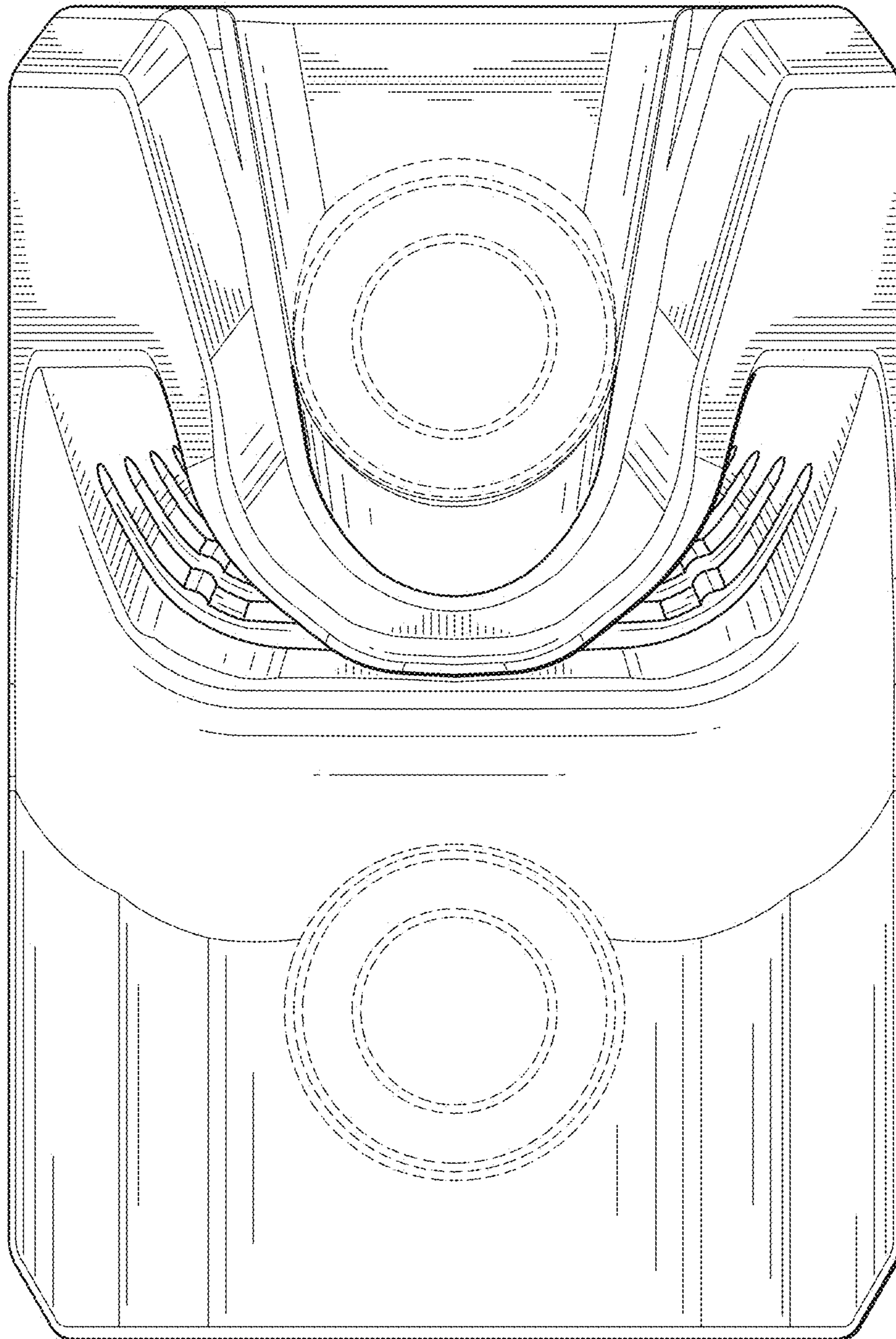


FIG. 8