



US00D755332S

(12) **United States Design Patent**
Kielsmeier et al.

(10) **Patent No.:** **US D755,332 S**
(45) **Date of Patent:** **** May 3, 2016**

- (54) **SLOT COVER SET FOR A FIREARM**
- (71) Applicant: **Magpul Industries Corporation**, Erie, CO (US)
- (72) Inventors: **Nicholas Kielsmeier**, Denver, CO (US); **Brian Nakayama**, Arvada, CO (US); **Michael T. Mayberry**, Denver, CO (US); **Richard Fitzpatrick**, West Lake Hills, TX (US); **Christopher F. Miller**, Erie, CO (US)
- (73) Assignee: **Magpul Industries Corporation**, Louisville, CO (US)
- (**) Term: **14 Years**

D667,917 S	9/2012	Fitzpatrick	
D668,731 S	10/2012	Fitzpatrick	
D676,920 S	2/2013	Fitzpatrick	
D691,235 S	10/2013	Fitzpatrick	
D704,789 S	5/2014	Fitzpatrick et al.	
D704,791 S	5/2014	Fitzpatrick et al.	
D719,632 S *	12/2014	Lau	D22/108
D729,337 S *	5/2015	Boone	D22/108
D730,474 S *	5/2015	Ding	D22/108
2003/0074822 A1	4/2003	Faifer	
2003/0106252 A1	6/2003	Hines	
2004/0000083 A1	1/2004	Grant	
2004/0064994 A1	4/2004	Luke	
2009/0038198 A1	2/2009	Yu	
2009/0193702 A1	8/2009	Lin	
2009/0241397 A1	10/2009	Fitzpatrick	
2010/0236124 A1	9/2010	Troy	
2012/0085013 A1	4/2012	Cahill	

- (21) Appl. No.: **29/509,804**
- (22) Filed: **Nov. 21, 2014**
- (51) **LOC (10) Cl.** **22-01**
- (52) **U.S. Cl.**
USPC **D22/108**
- (58) **Field of Classification Search**
USPC D22/108
CPC F41A 35/02; F41C 23/16
See application file for complete search history.

OTHER PUBLICATIONS

AR15com_2014_AR15_KeyMod_Plugs_Hand_Protectors
AR15.com (Sep. 25, 2014) KeyMod Plugs Hand Protectors; Website [Online] Available Website: http://www.ar15.com/forums/t_3_124/657096_KeyMod_Plugs_hand_protectors_by_Veriforce_Tactical.html; Last Update: Unknown; Accessed on: Mar. 2, 2015.

Del_Ton_2007_TANGODOWN_BATTLE_GRIP_RAIL_COVER
Del Ton Incorporated (Aug. 10, 2007) Tangodown Battle Grip Rail Cover; WebsiteName (Date) Title; Website [Online] Available Website: http://www.del-ton.com/TangoDown_Grip_Rail_Cover_p/hg1035.htm; Last Update: Jul. 21, 2014; Accessed on: Mar. 2, 2015.

LaRue_Tactical_2011_Ergo_Grips_Textured_Rail_Covers
LaRue Tactical (Sep. 30, 2011) Ergo Grips Textured Rail Covers; Website [Online] Available Website: <http://www.laruetactical.com/ergo-grips-textured-rail-covers>; Last Update: Aug. 9, 2014; Accessed on: Mar. 2, 2015.

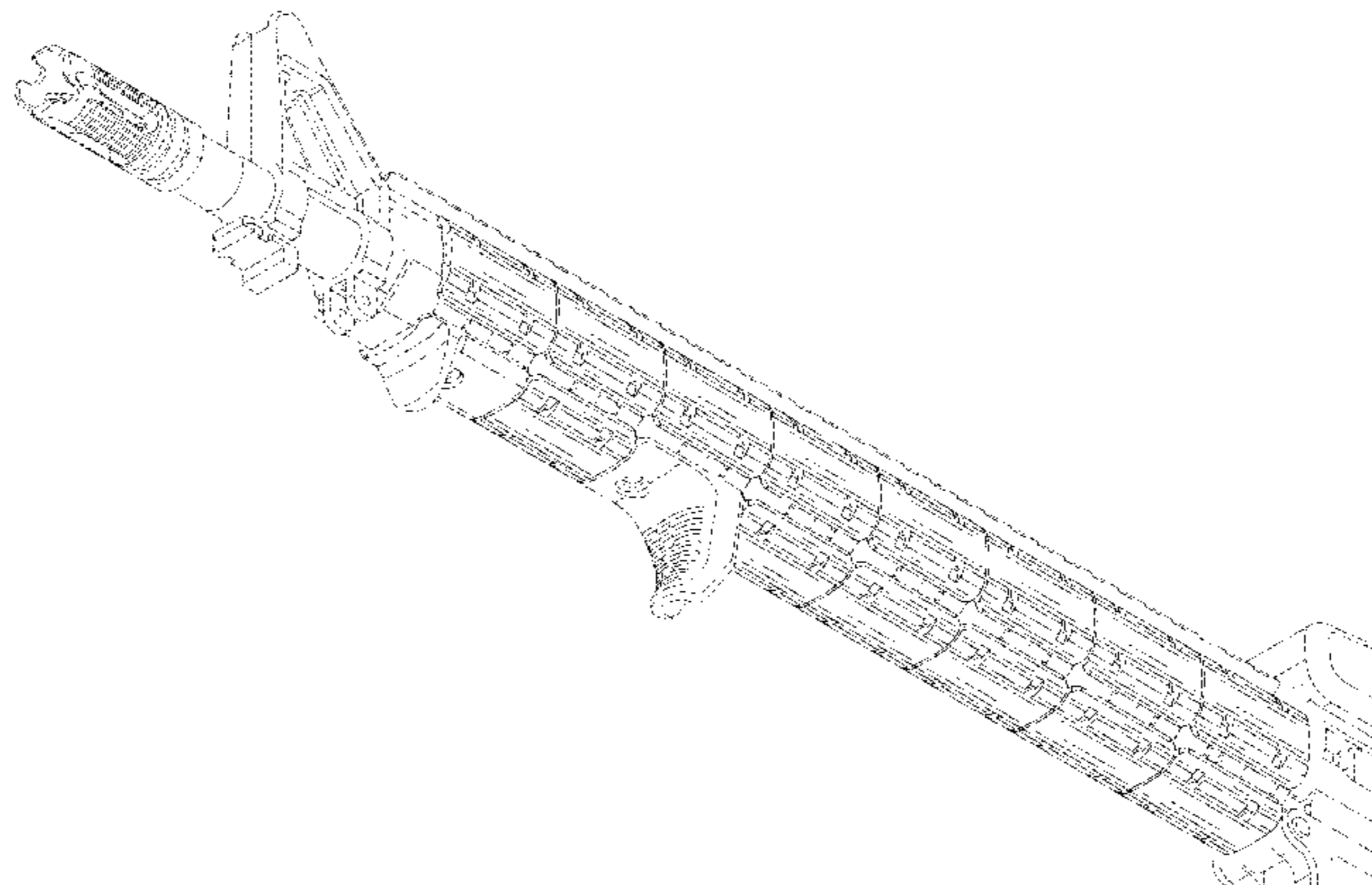
LaRue_Tactical_2011_Index_Clips_72_Piece_Set
LaRue Tactical (Sep. 30, 2011) IndexClips, 72 Piece Set; Website [Online] Available Website: <http://www.laruetactical.com/indexclips-72-piece-set>; Last Update: Aug. 9, 2014; Accessed on: Mar. 2, 2015.

Magpul_Search_Results_Light-Mount_Panels_Hand_Stop_Kit
Magpul Search Results: Rail Light Mount; XTM® Enhanced Rail Panels; XTM® Hand Stop Kit; Website [Online] Available Website: ; Last Update: Unknown; Accessed on: Mar. 2, 2015.

Magpul_Ladder_Rail_Panel
Magpul Ladder Rail Panel; Website [Online] Available Website: <https://www.magpul.com/search-results?PID=88&ProductNumber=MAG013>; Last Update: Unknown; Accessed on: Mar. 2, 2015.

(56) **References Cited**
U.S. PATENT DOCUMENTS

4,934,085 A	6/1990	Lough
5,826,363 A	10/1998	Olson
6,421,946 B1	7/2002	LaRocco
6,725,594 B2	4/2004	Hines
6,836,990 B2	1/2005	Shiloni
6,895,708 B2	5/2005	Kim
7,117,625 B2	10/2006	Pikielny
7,430,828 B2	10/2008	Munst
7,438,430 B2	10/2008	Kim
7,441,918 B2	10/2008	Kim
7,562,483 B2	7/2009	Hines
D625,378 S	10/2010	Fitzpatrick
7,845,105 B1	12/2010	Cahill
7,856,749 B2	12/2010	Fitzpatrick
7,971,383 B2	7/2011	Fitzpatrick



Magpul_XT_Rail_Panel Magpul XT® Rail Panel; Website [Online] Available Website: <https://www.magpul.com/search-results?PID=88&ProductNumber=XT+rail+panel>; Last Update: Unknown; Accessed on: Mar. 2, 2014.

Noveske_2014_POLYMER_ACCESSORY_PACK Noveske (Feb. 10, 2014) Polymer Accessory Pack; Website [Online] Available Website: <http://www.shopnoveske.com/products/polymer-accessory-pack>; Last Update: Jul. 3, 2014; Accessed on: Feb. 10, 2015.

Troy_2014_Rail_Cover_Kit_12_Piece Troy Industries (Apr. 22, 2014) Rail Cover Kit 12 Piece—BLK; Website [Online] Available Website: <https://troyind.com/products/rail-cover-kit-12-piece-blk>; Last Update: Unknown; Accessed on: Mar. 2, 2015.

Troy_Suid_Grip_7_Pack Troy Industries Squid Grip 7-Pack—Tan; Website [Online] Available Website: <https://troyind.com/products/squid-grip-7-pack-tan>; Last Update: Unknown; Accessed on: Mar. 3, 2015.

Design U.S. Appl. No. 29/513,504, “Slot Cover for a Firearm” filed Dec. 31, 2014.

* cited by examiner

Primary Examiner — Michael A Pratt
(74) *Attorney, Agent, or Firm* — Swanson & Bratschun, L.L.C.

(57) **CLAIM**

The ornamental design for a slot cover set, as shown and described.

DESCRIPTION

FIG. 1 is a left, front, bottom perspective view of a number of assembled slot cover sets comprising a cover element and a base element showing the slot set for a firearm assembled in accordance with a first configuration deployed on a firearm hand guard;

FIG. 2 is a front, right, top perspective view of the cover element of the slot cover set for a firearm of FIG. 1;

FIG. 3 is a right side elevation view of the cover element of FIG. 2 the left side elevation view being a mirror image thereof;

FIG. 4 is a front elevation view of the cover element of FIG. 2, the rear elevation view being a mirror image thereof;

FIG. 5 is a top plan view of the cover element of FIG. 2;

FIG. 6 is a bottom plan view of the cover element of FIG. 2;

FIG. 7 is a left, front, bottom perspective view of the cover element of FIG. 2;

FIG. 8 is a front, right, top perspective view of the base element of the slot cover set for a firearm of FIG. 1;

FIG. 9 is a right side elevation view of the base element of FIG. 8, the left side elevation view being a mirror image thereof;

FIG. 10 is a front elevation view of the base element of FIG. 8, the rear elevation view being a mirror image thereof;

FIG. 11 is a top plan view of the base element of FIG. 8;

FIG. 12 is a bottom plan view of the base element of FIG. 8;

FIG. 13 is a left, front, bottom perspective view of the base element of FIG. 8;

FIG. 14 is a left, front, top perspective view of the slot cover set for a firearm assembled according to the first configuration of FIG. 1;

FIG. 15 is a right side elevation view of the slot cover set for a firearm assembled according to the first configuration of FIG. 1, the left side elevation view being a mirror image thereof;

FIG. 16 is a front elevation view of the slot cover set for a firearm assembled according to the first configuration of FIG. 1, the rear elevation view being a mirror image thereof;

FIG. 17 is a top plan view of the slot cover set for a firearm assembled according to the first configuration of FIG. 1;

FIG. 18 is a bottom plan view of slot cover set for a firearm assembled according to the first configuration of FIG. 1;

FIG. 19 is a left, front, bottom perspective view of the slot cover set for a firearm assembled according to the first configuration of FIG. 1;

FIG. 20 is a top plan view of a number of the slot cover set for a firearm assembled according to the first configuration of FIG. 1;

FIG. 21 is a top plan view of a number of the slot cover set for a firearm of FIG. 1 assembled according to a second configuration;

FIG. 22 is a top plan view of a first alternate embodiment of a slot cover set for a firearm which is identical to the slot cover set for a firearm of FIGS. 1-20 only having base and cover elements of distinct colors assembled according to a first configuration of FIG. 1 with one permutation of a layout of the various bases and covers having distinct colors; and,

FIG. 23 is a top plan view of the first alternate embodiment of the slot cover set for a firearm of FIG. 22 assembled according to the second configuration of FIG. 21 with one permutation of a layout of the various bases and covers having distinct colors.

The broken lines showing portions of the design in all figures are included for the purpose of illustrating environment and unclaimed features and form no part of the claimed design. The stippling in FIGS. 22 and 23 shows a contrast in color with no particular color being claimed thereby. The one permutation of layout of the various bases and covers having distinct colors in FIGS. 22 and 23 are non-limiting combinations and all other permutations of layout are within the scope of the claim set forth herein.

1 Claim, 11 Drawing Sheets

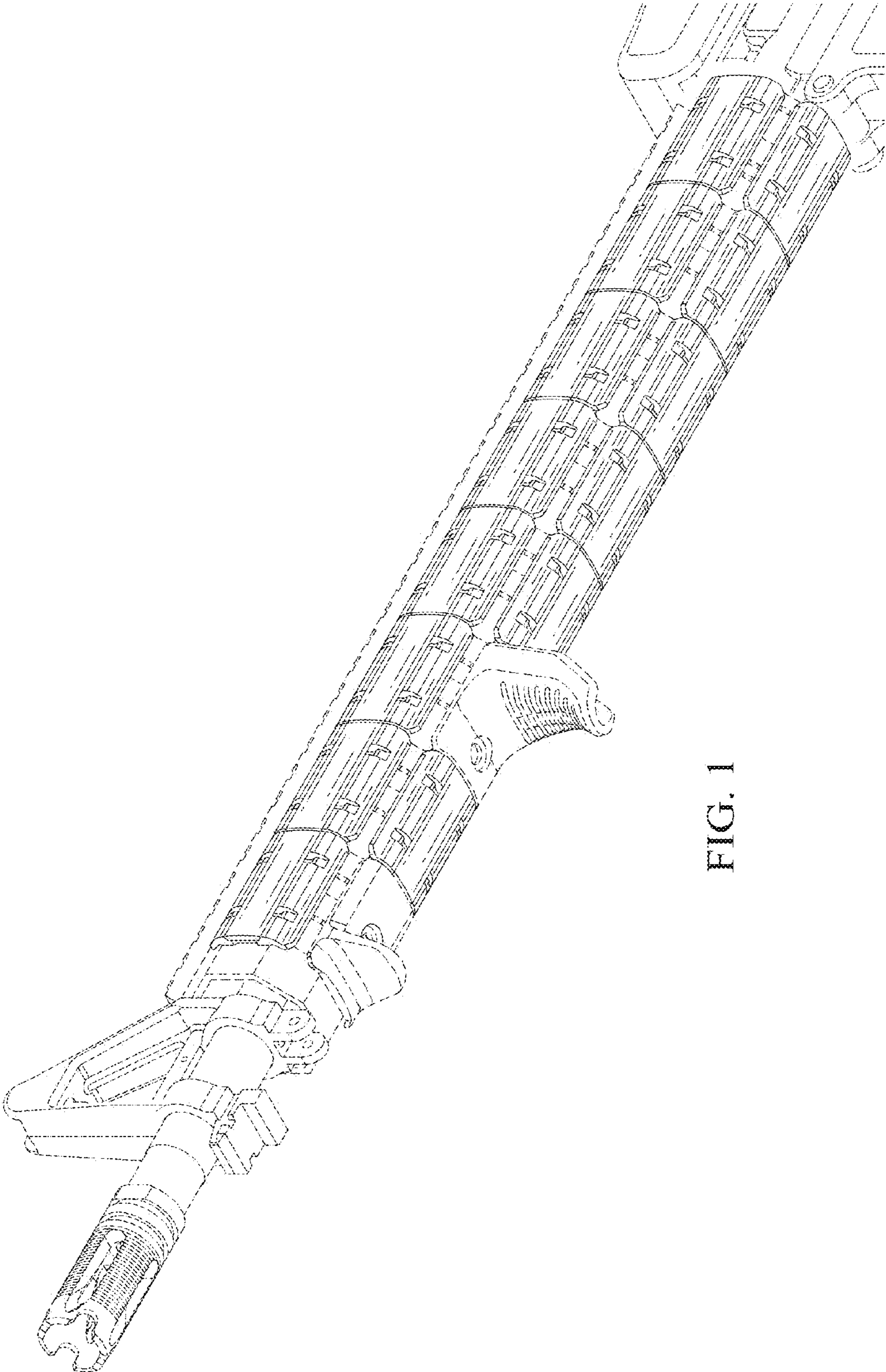


FIG. 1

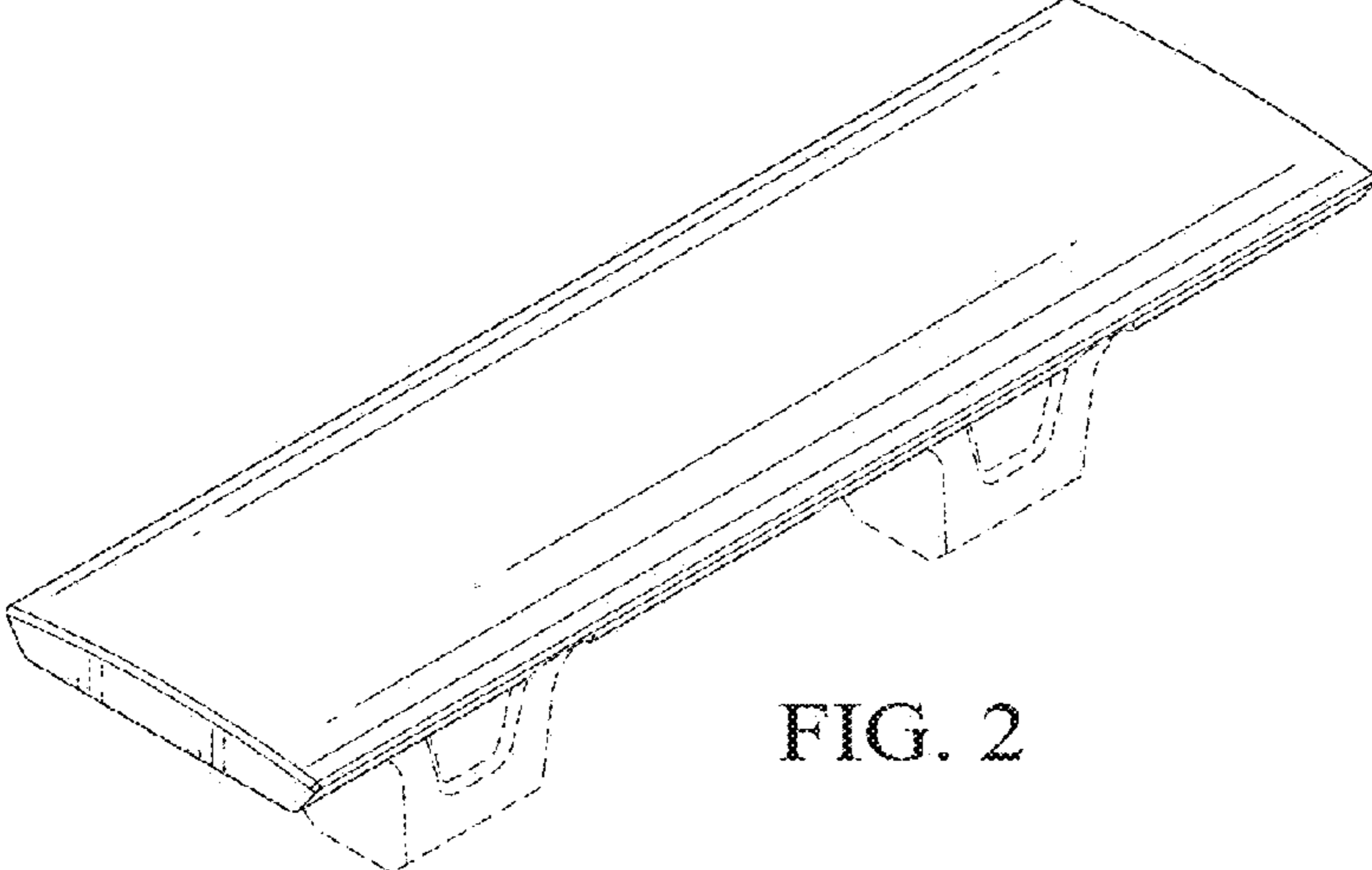


FIG. 2

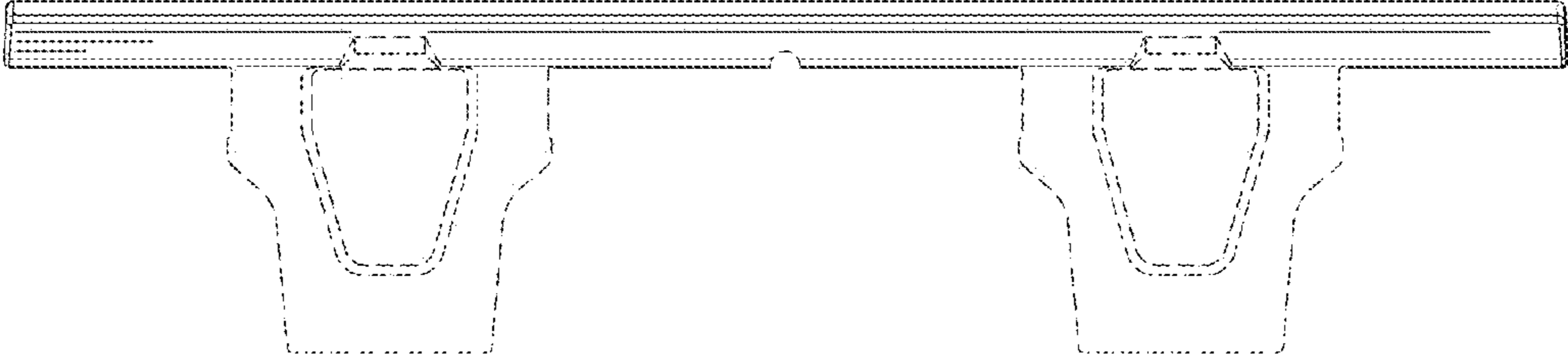


FIG. 3

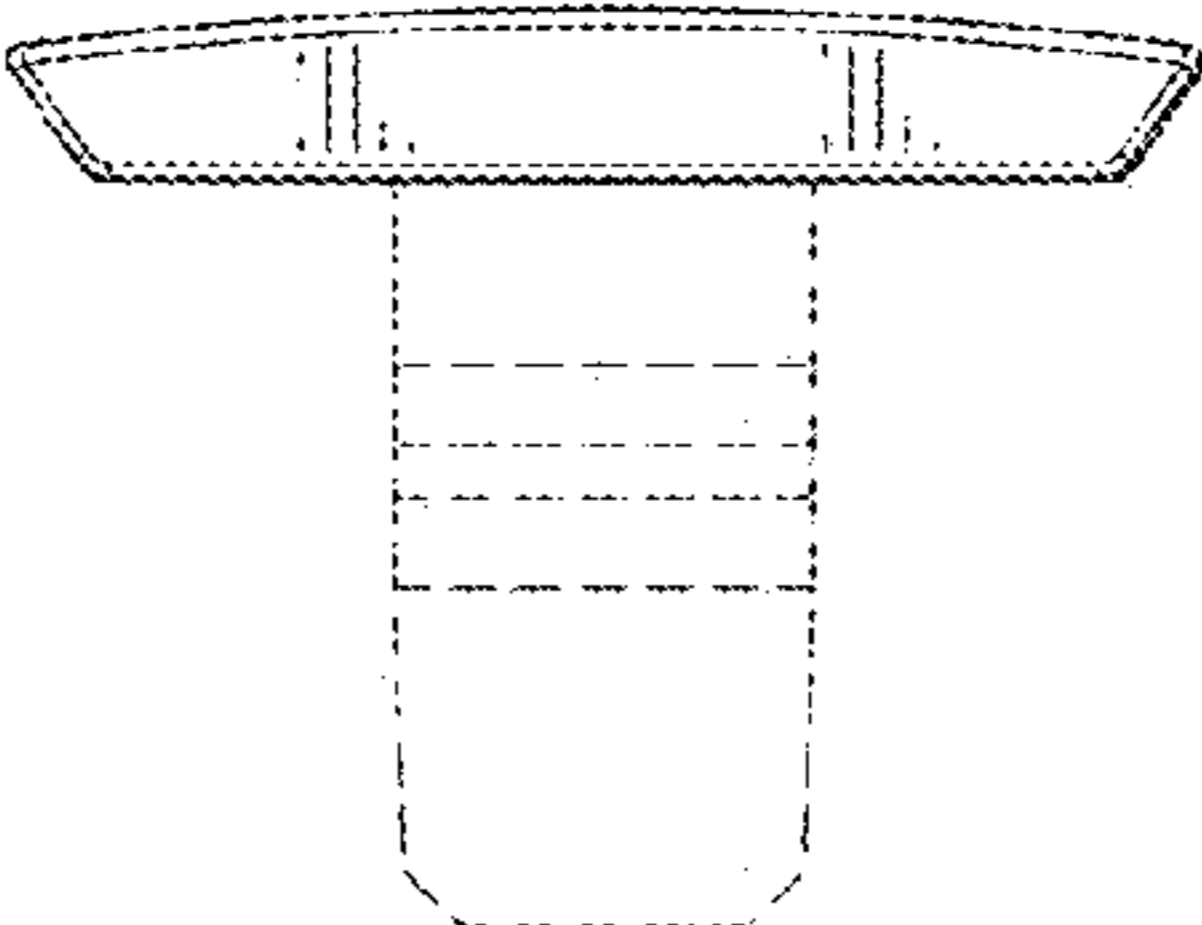


FIG. 4

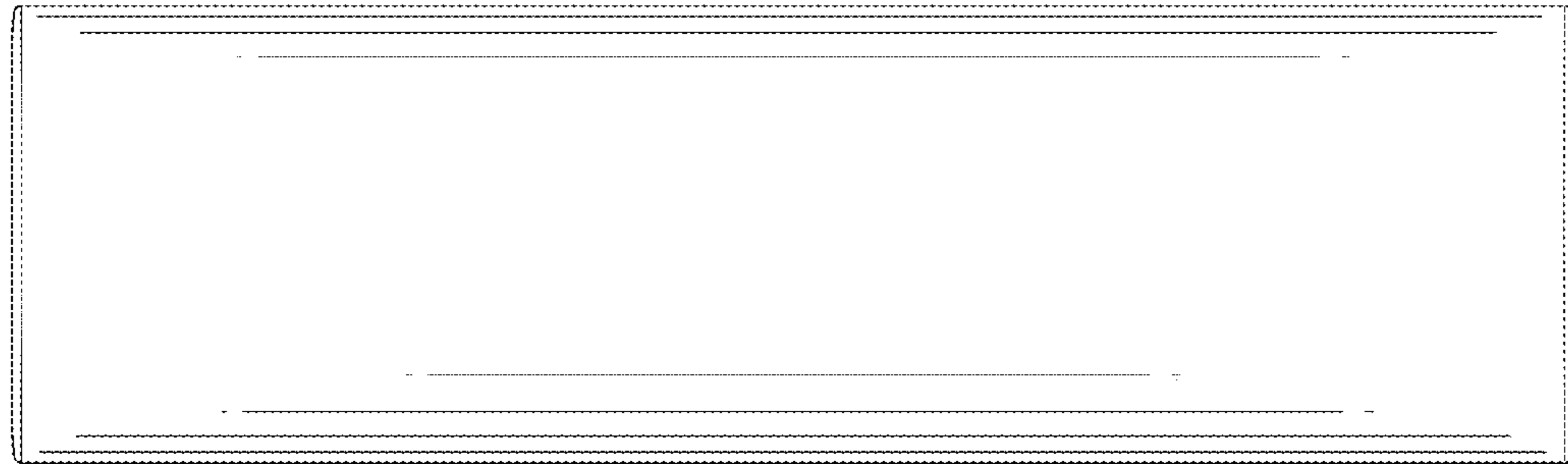


FIG. 5

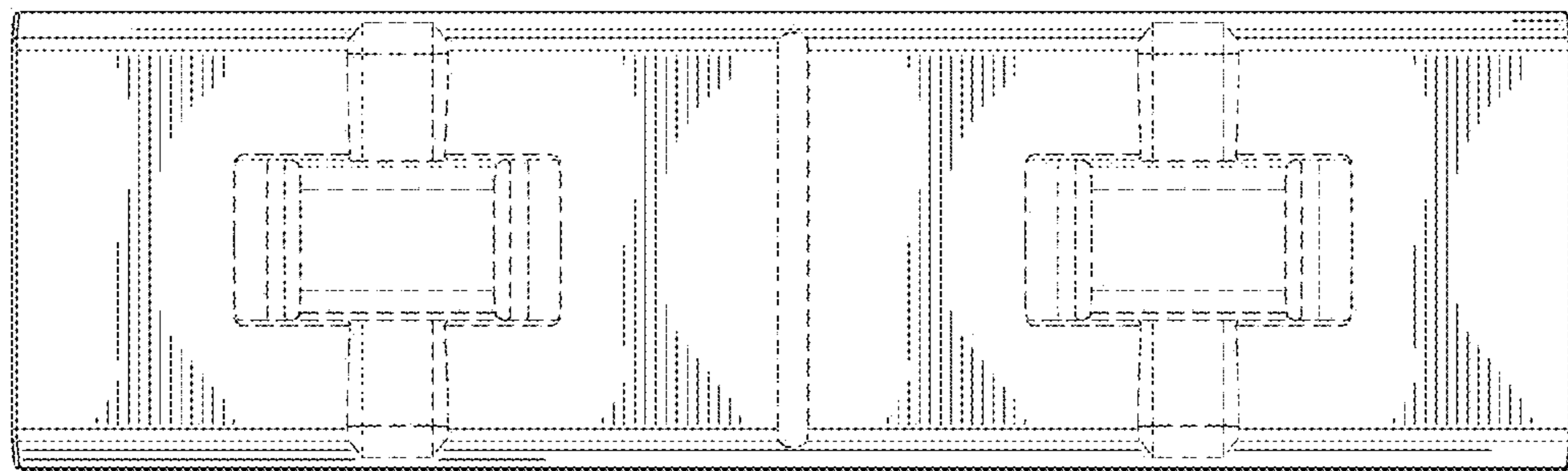


FIG. 6

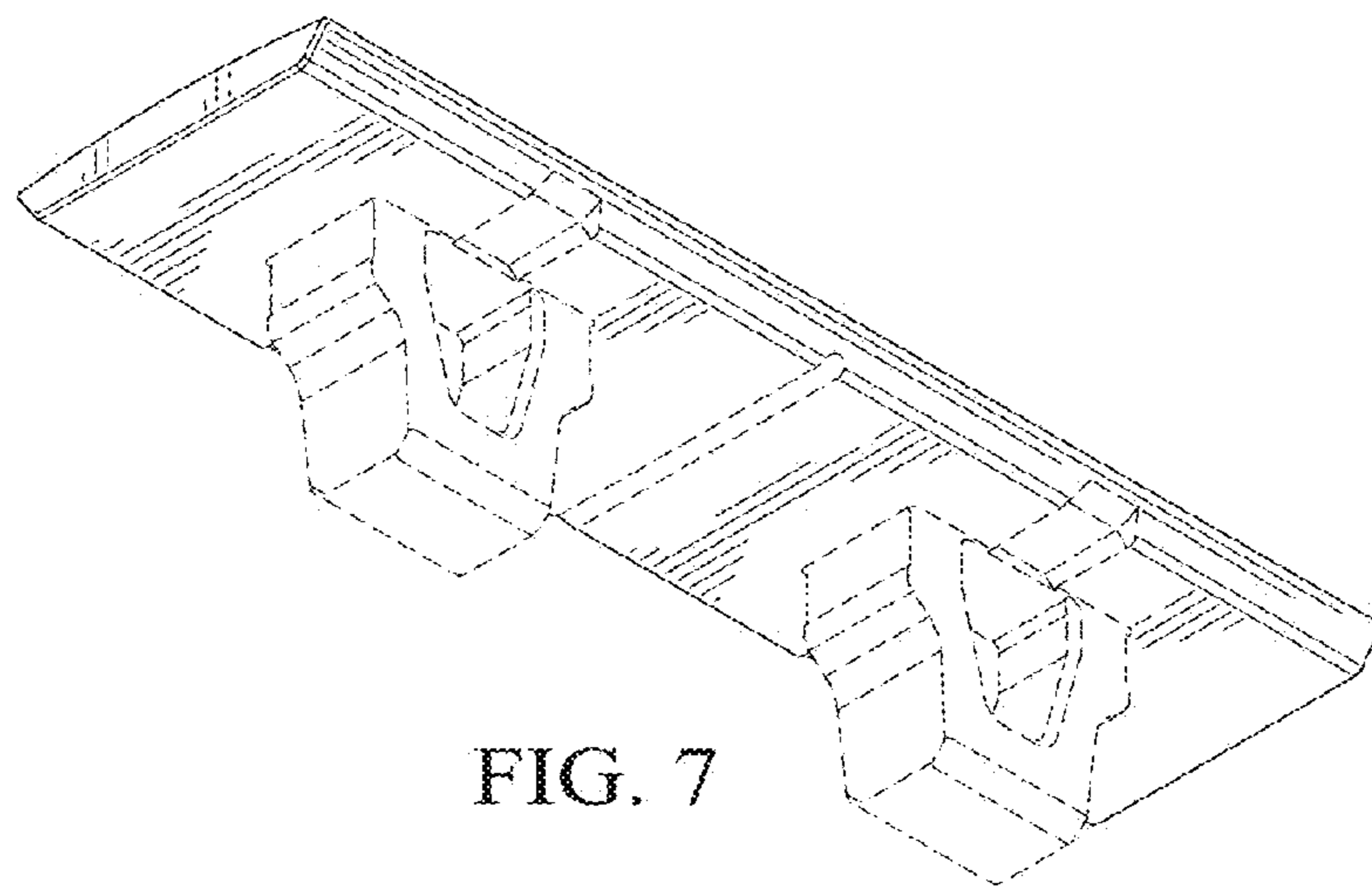


FIG. 7

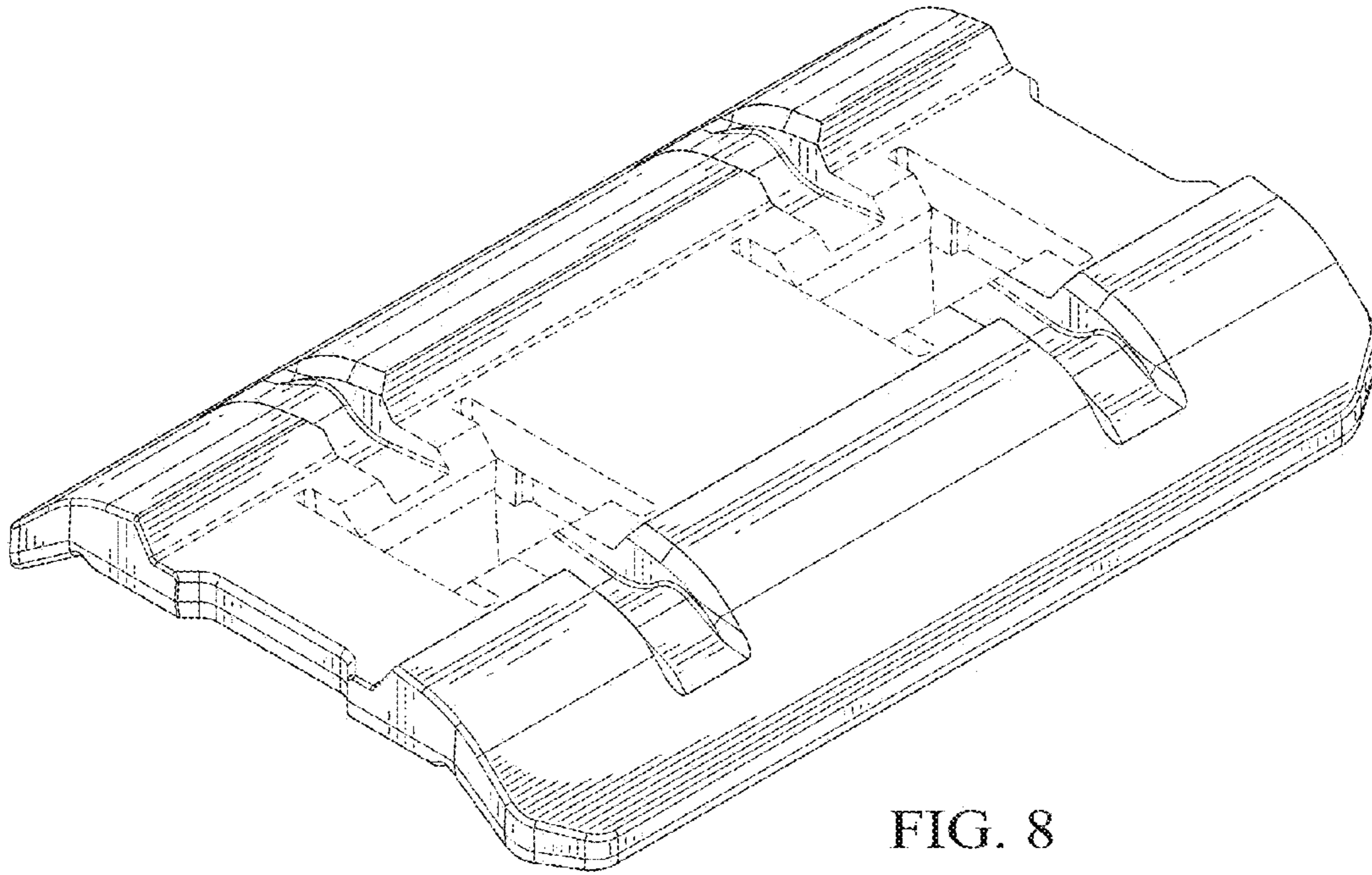


FIG. 8

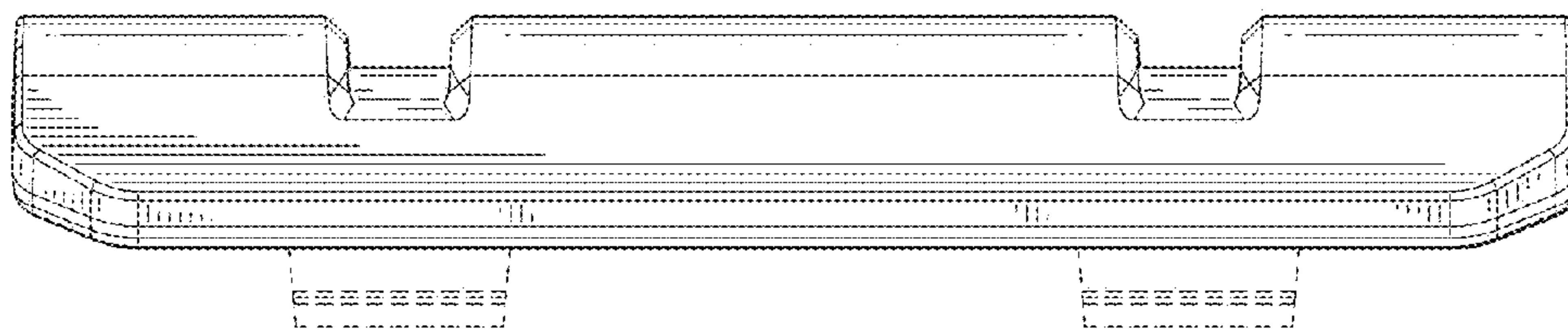


FIG. 9

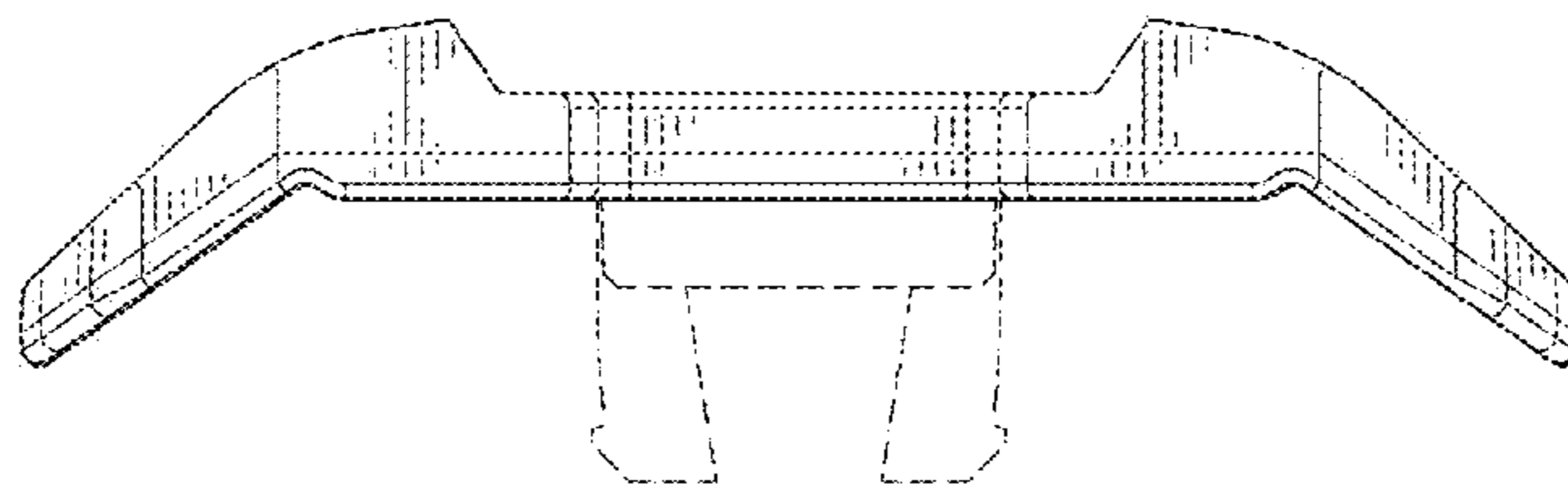


FIG. 10

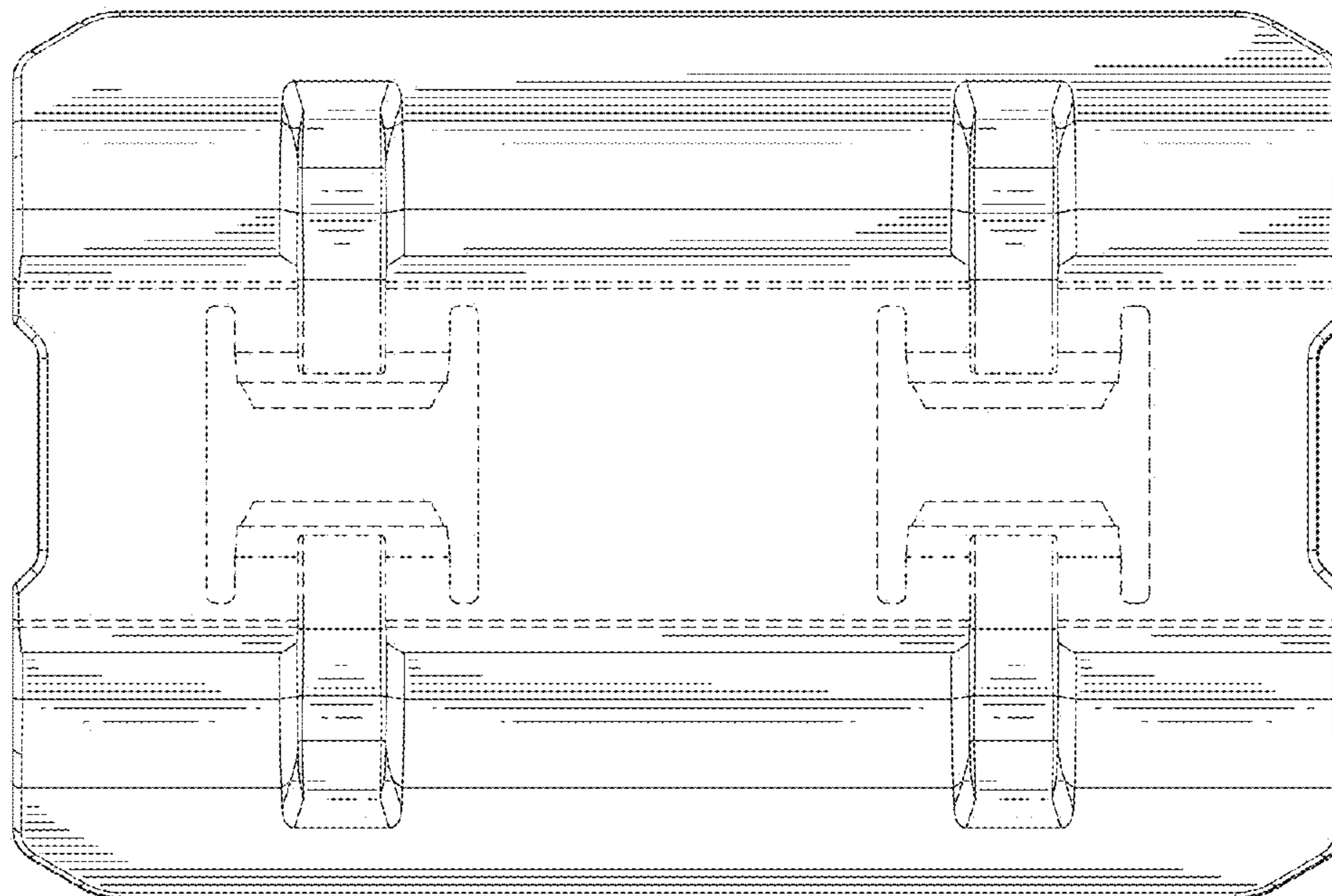


FIG. 11

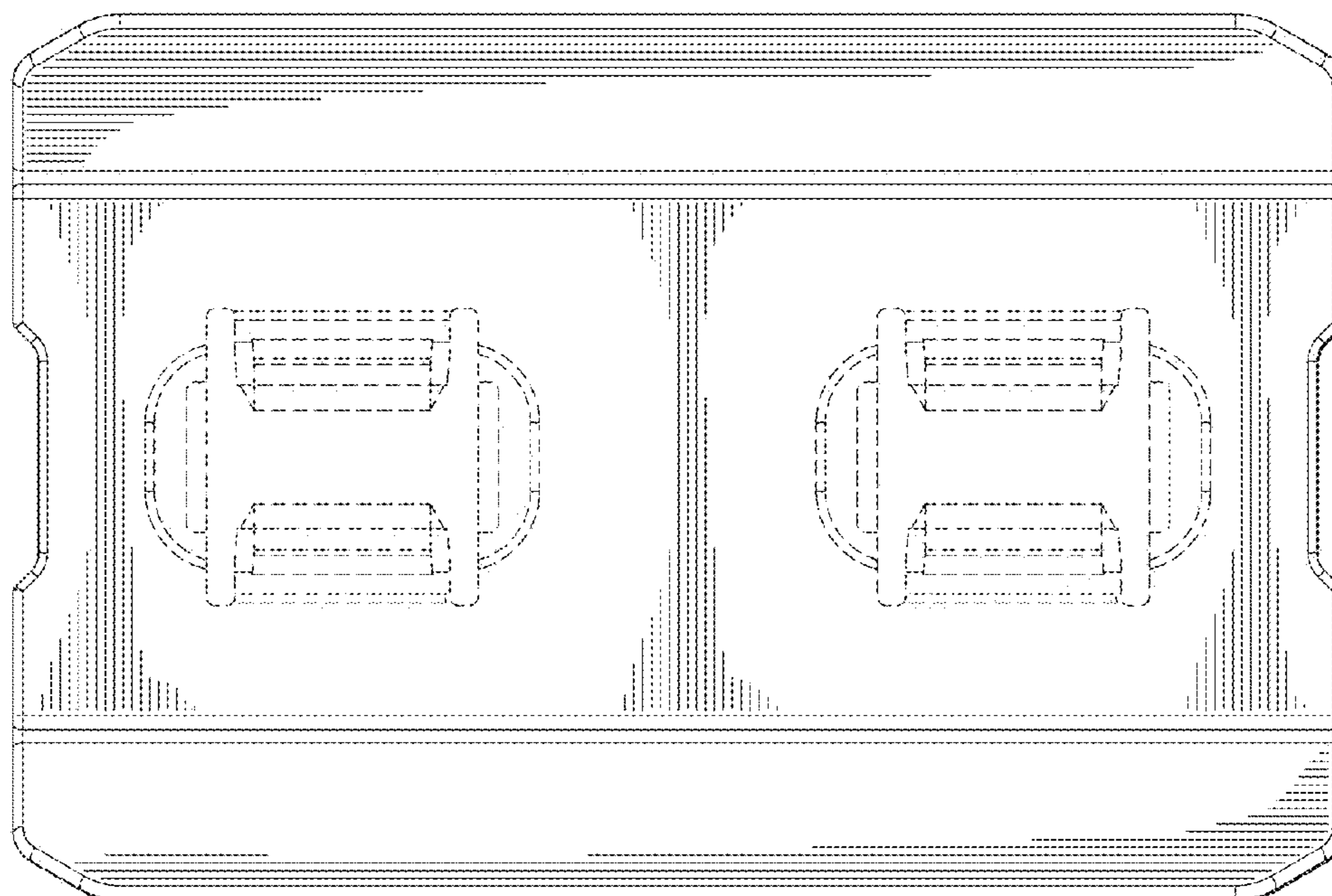


FIG. 12

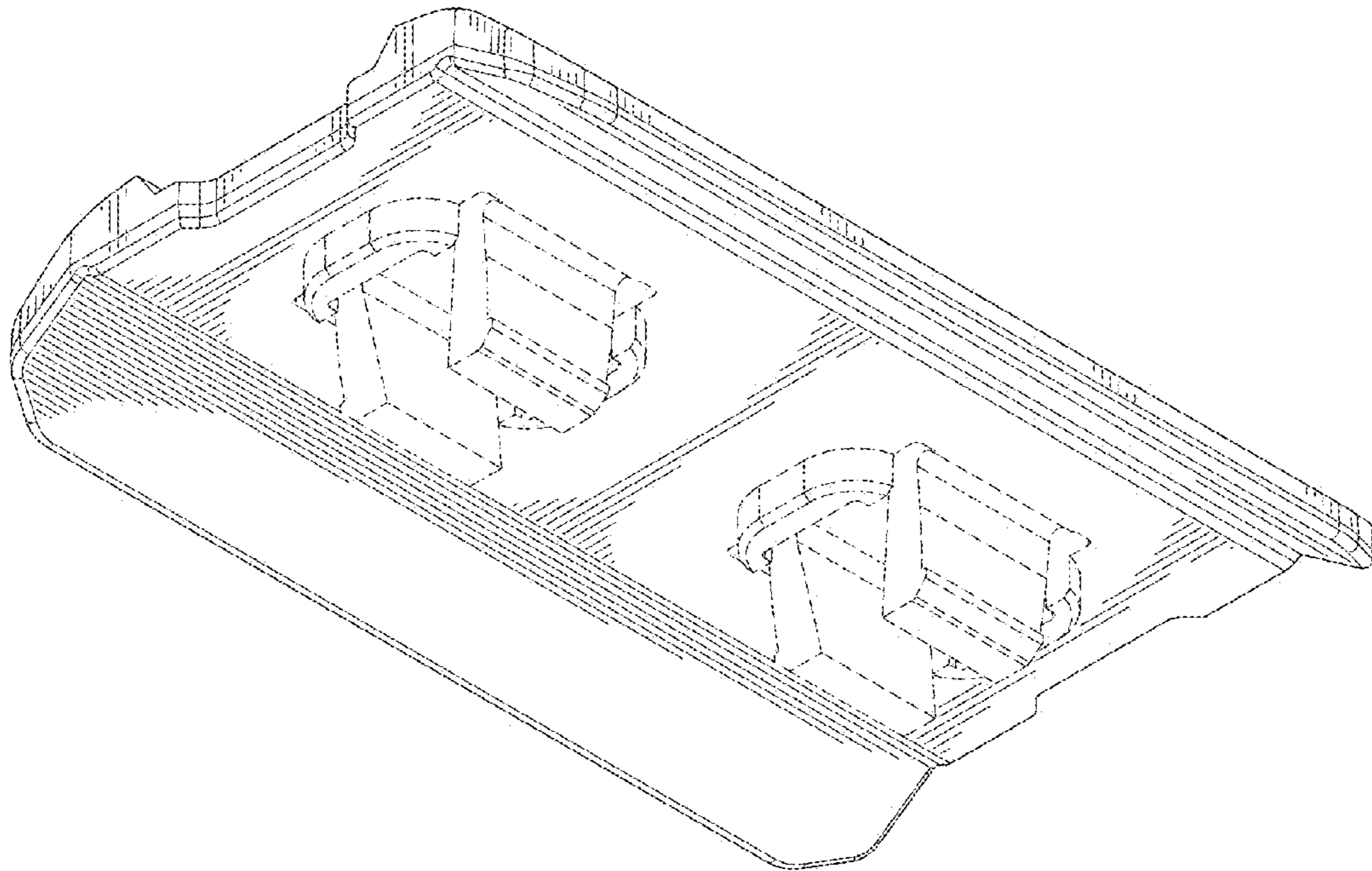


FIG. 13

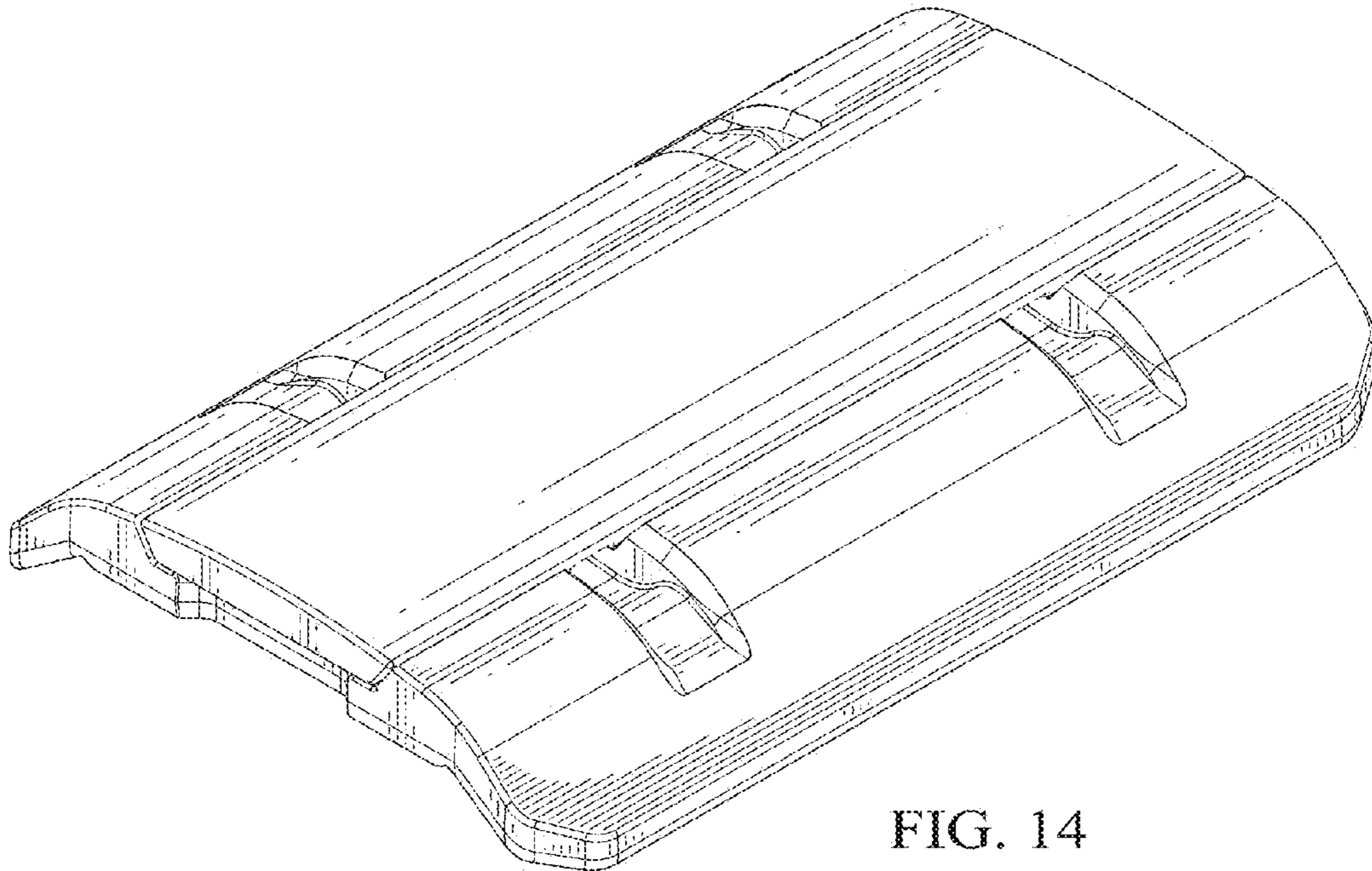


FIG. 14

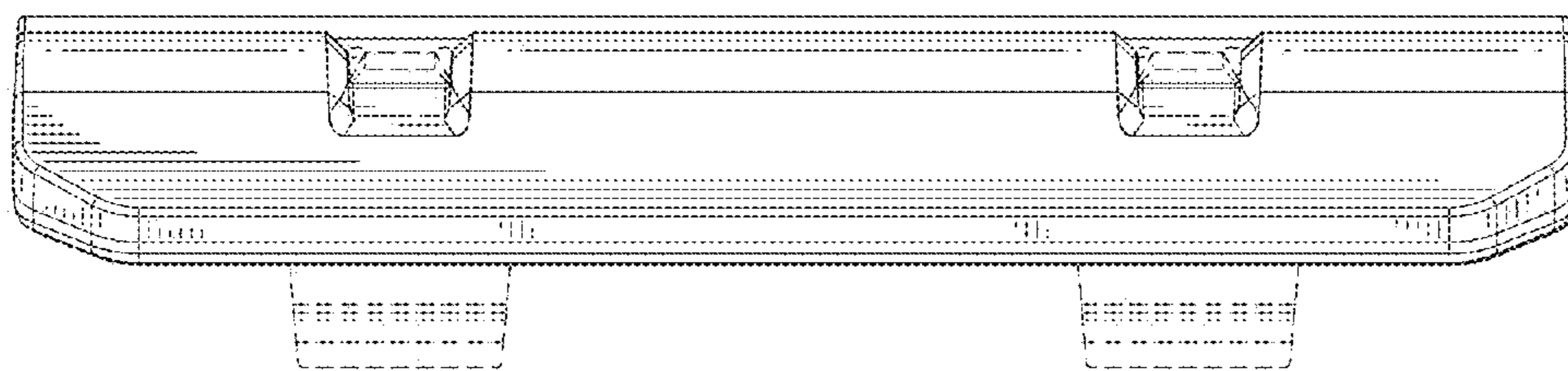


FIG. 15

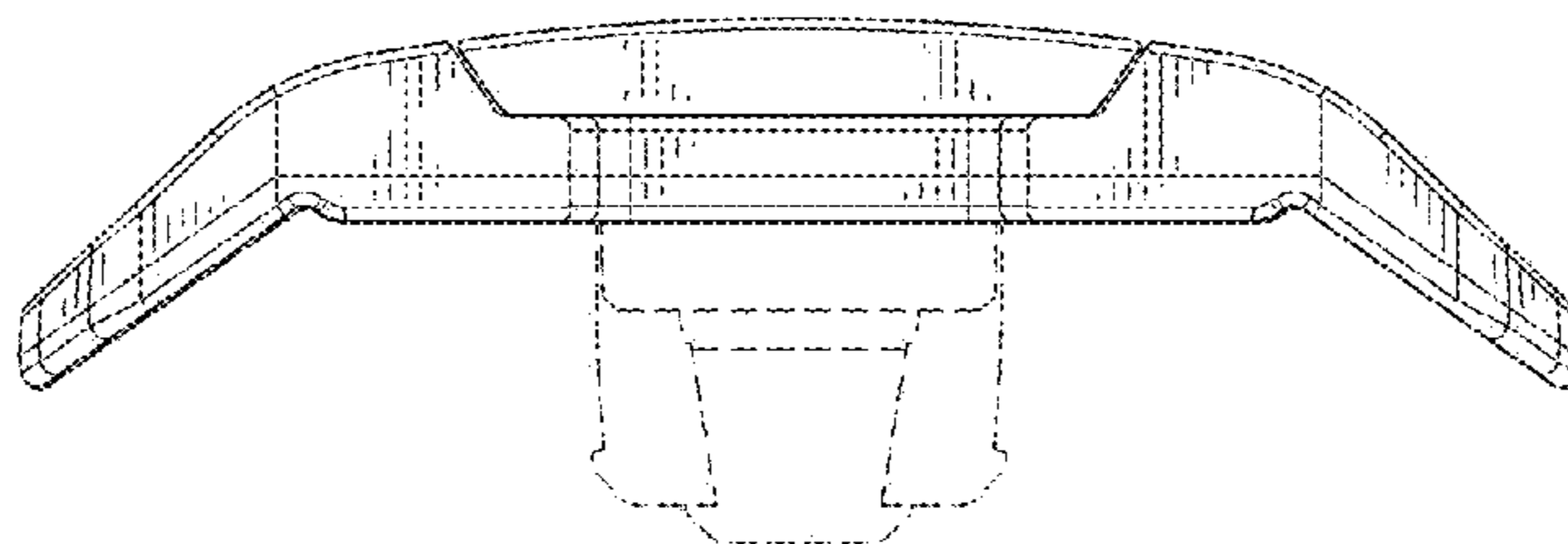


FIG. 16

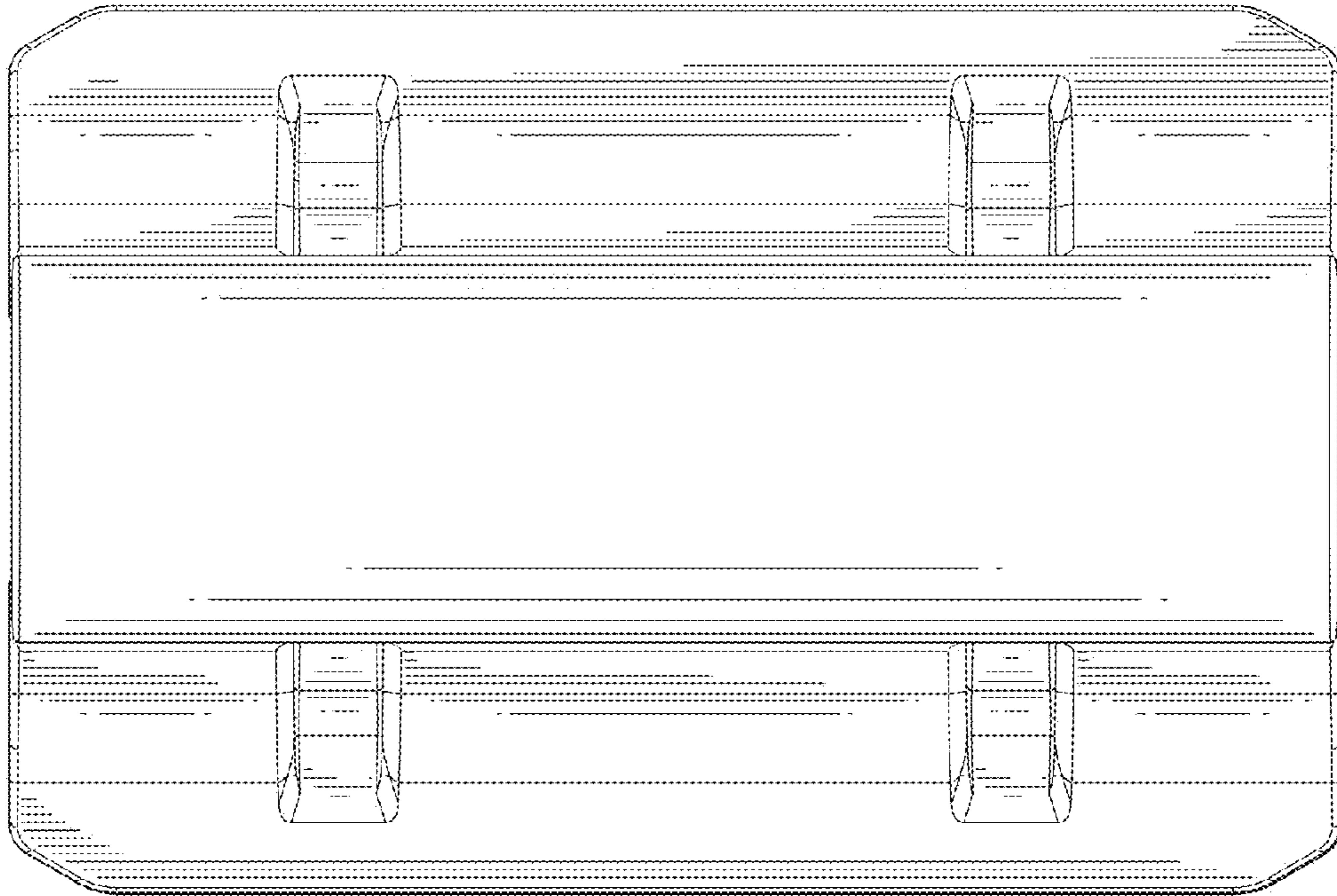


FIG. 17

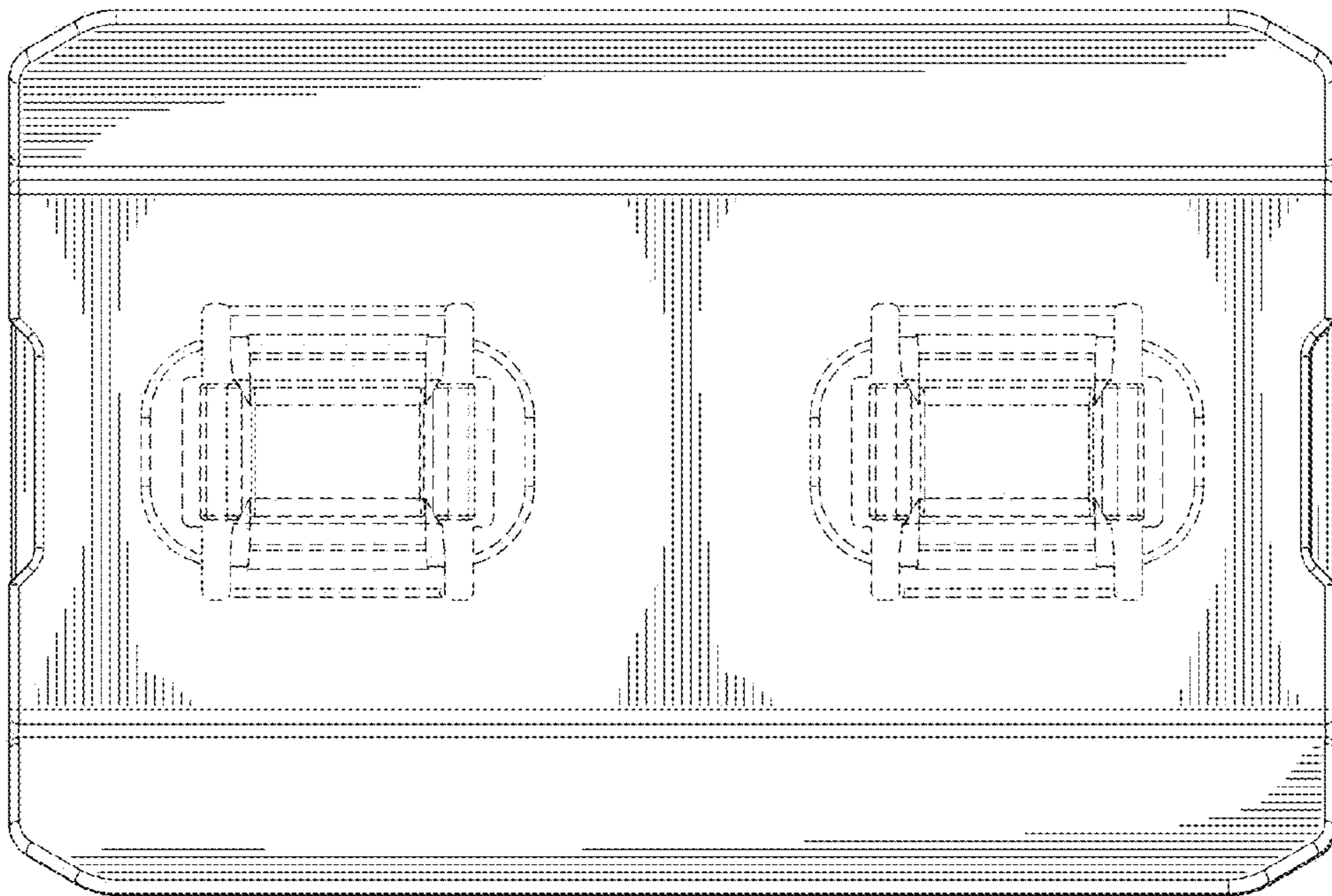


FIG. 18

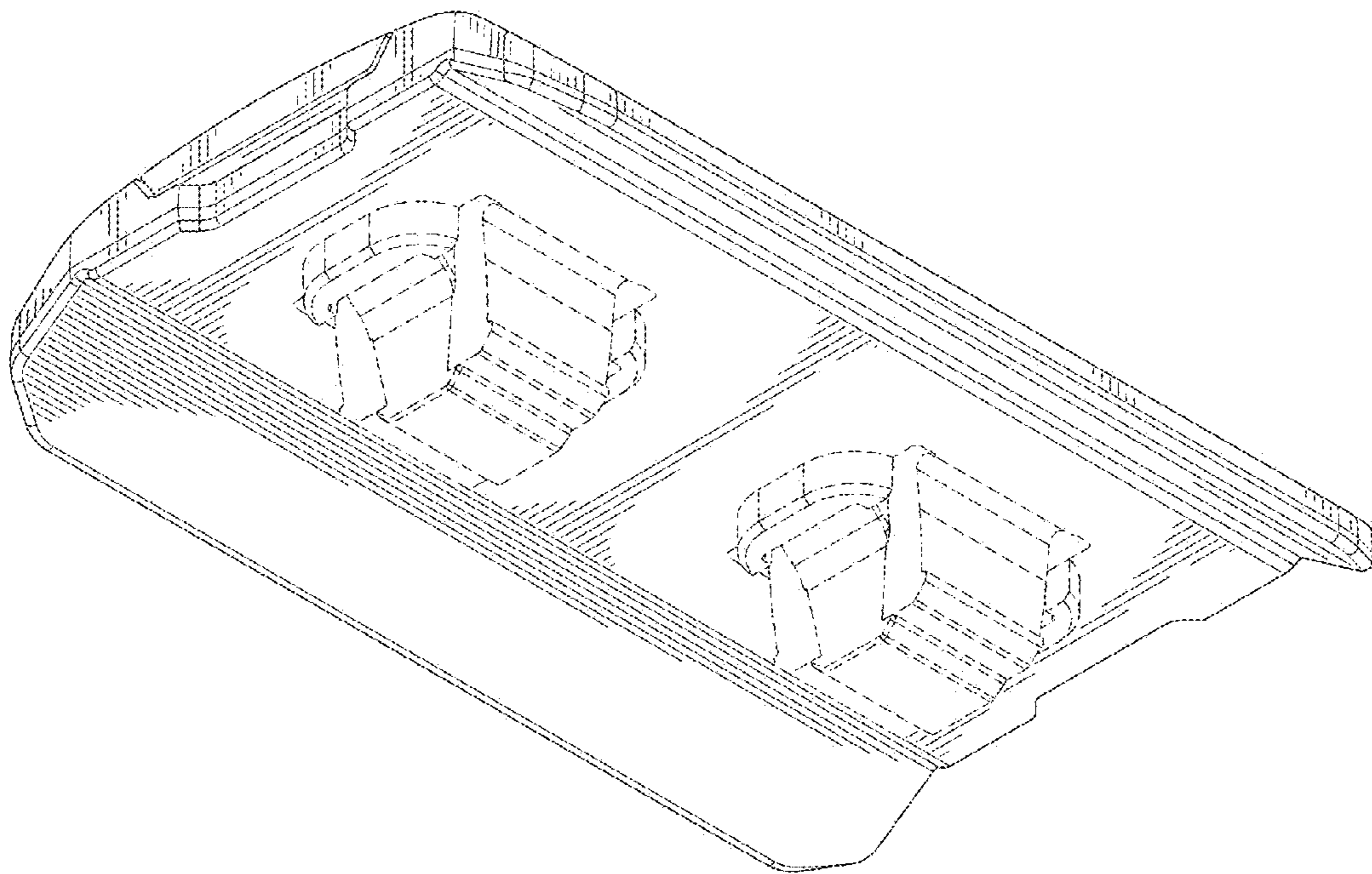


FIG. 19

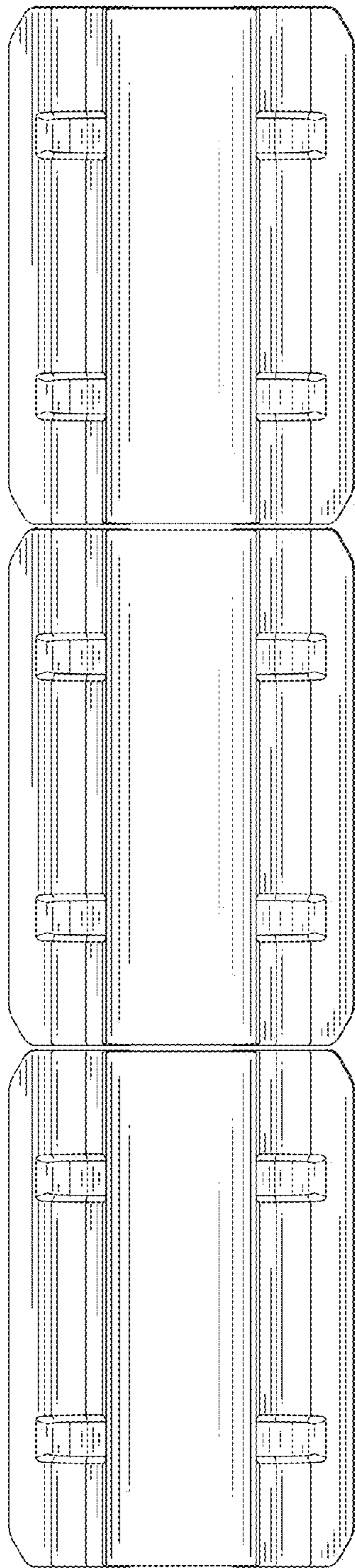


FIG. 20

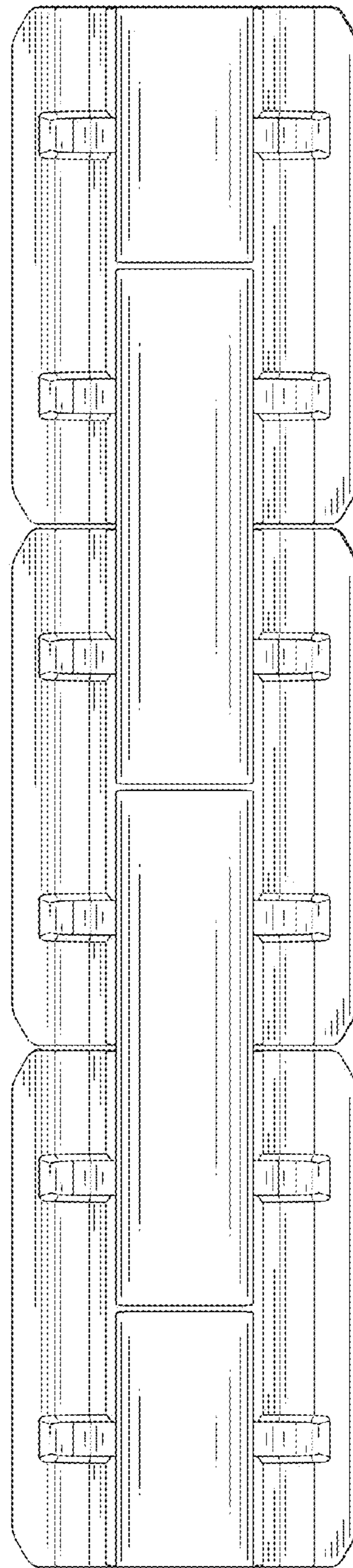


FIG. 21

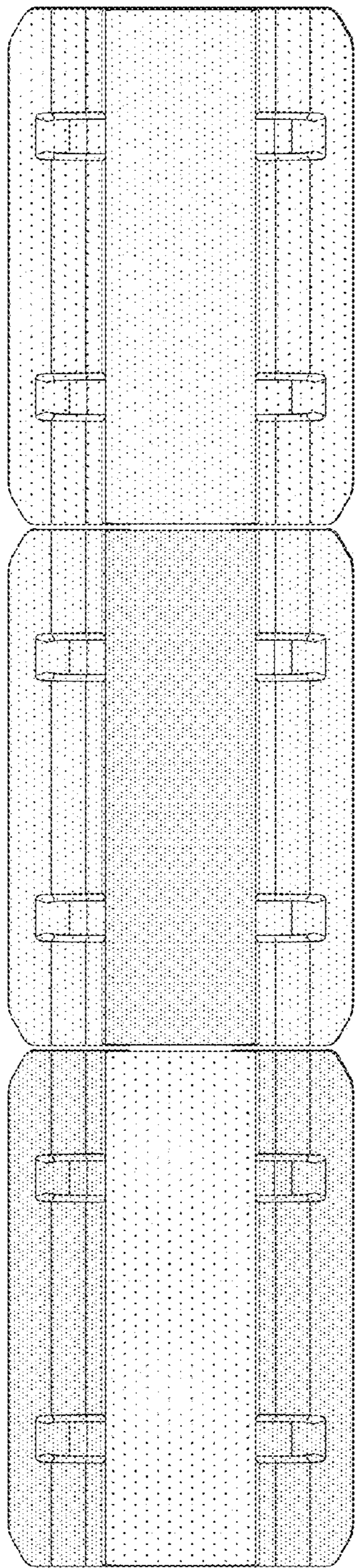


FIG. 22

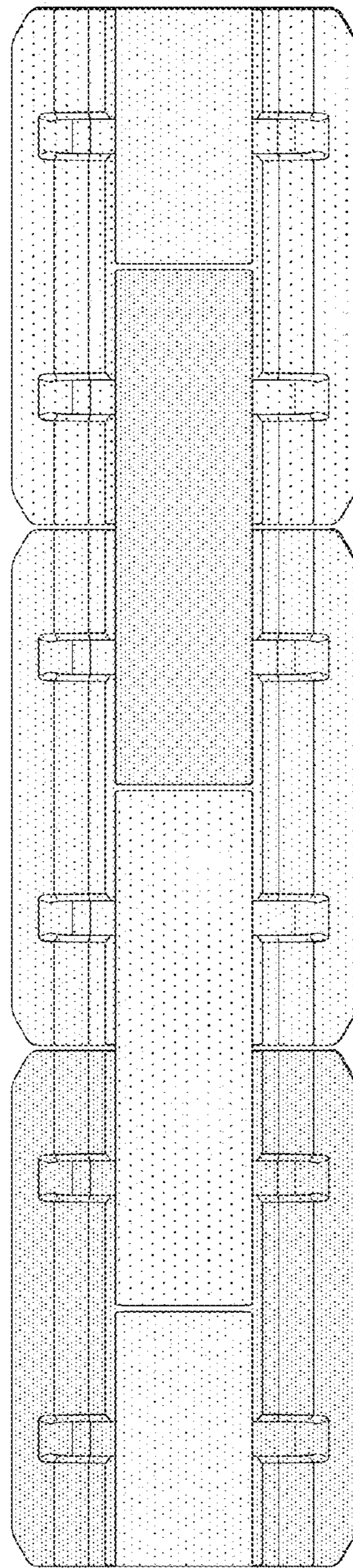


FIG. 23