



US00D755331S

(12) **United States Design Patent**
Eitan et al.

(10) **Patent No.:** **US D755,331 S**

(45) **Date of Patent:** **** May 3, 2016**

(54) **TRIGGER GUARD FOR A FIREARM**

(71) Applicant: **Magpul Industries Corporation**, Erie, CO (US)

(72) Inventors: **Yehezkel Eitan**, Johnstown, CO (US); **Michael T. Mayberry**, Denver, CO (US); **Richard Fitzpatrick**, West Lake Hills, TX (US); **Duane Liptak**, Erie, CO (US); **Felix Nuss**, Boulder, CO (US)

(73) Assignee: **Magpul Industries Corporation**, Louisville, CO (US)

(**) Term: **14 Years**

(21) Appl. No.: **29/508,883**

(22) Filed: **Nov. 12, 2014**

(51) **LOC (10) Cl.** **22-01**

(52) **U.S. Cl.**
USPC **D22/108**

(58) **Field of Classification Search**
USPC D22/103, 108; D21/572
CPC F41A 19/10; F41A 17/46; F41A 35/00;
F41A 19/09; F41A 19/11; F41A 19/21;
F41A 27/00

See application file for complete search history.

(56) **References Cited**

U.S. PATENT DOCUMENTS

D640,766 S * 6/2011 Joplin D22/108
2010/0162605 A1 * 7/2010 Laney F41A 3/24
42/25
2013/0104440 A1 * 5/2013 Addis F41A 17/38
42/90

OTHER PUBLICATIONS

Brownells_2014_Accurate_Mag_Remington_700_Bottom_Metal_Magazine Brownells (Nov. 5, 2014) Accurate Mag—

Remington 700 Bottom Metal & Magazine; Website [Online] Available Website: <http://www.brownells.com/rifle-parts/receiver-parts/bottom-metals/remington-700-bottom-metal-magazine-prod45195.aspx>; Last Update: Unkown; Accessed on: Mar. 18, 2015.

(Continued)

Primary Examiner — Michael A Pratt

(74) *Attorney, Agent, or Firm* — Swanson & Bratschun, L.L.C.

(57) **CLAIM**

The ornamental design for a trigger guard for a firearm, as shown and described.

DESCRIPTION

FIG. 1 is a right, front, bottom perspective view of a of a trigger guard for a firearm attached to a firearm showing our new design;

FIG. 2 is a right, front, bottom perspective view of the trigger guard for a firearm of FIG. 1;

FIG. 3 is a left side elevation view of the trigger guard for a firearm of FIG. 1, the right side elevation view being a mirror image thereof;

FIG. 4 is a top plan view of the trigger guard for a firearm of FIG. 1;

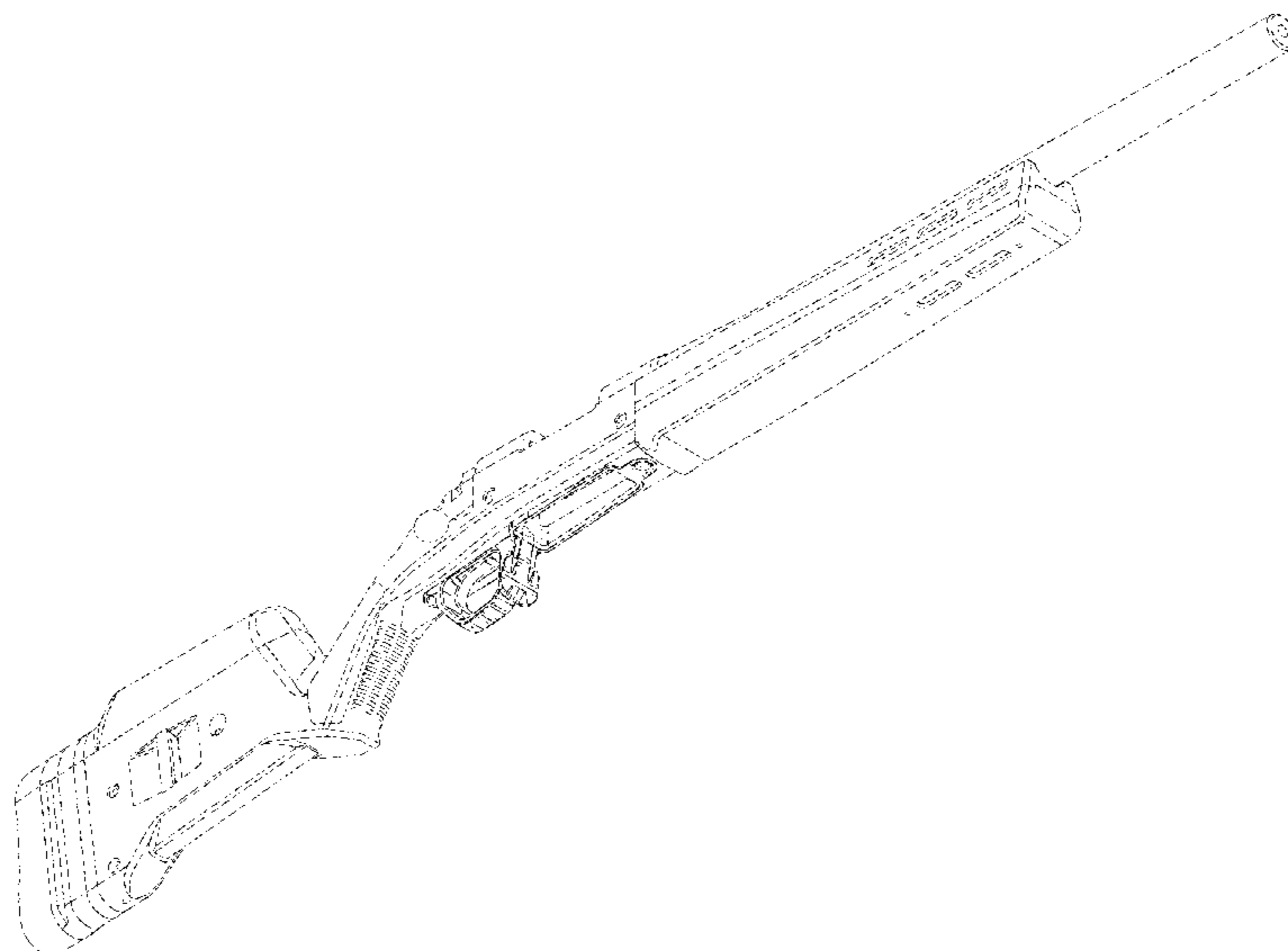
FIG. 5 is a bottom plan view of the trigger guard for a firearm of FIG. 1;

FIG. 6 is a front elevation view of the trigger guard for a firearm of FIG. 1; and,

FIG. 7 is a rear elevation view of the trigger guard for a firearm of FIG. 1.

The broken lines showing portions of the design in all figures are included for the purpose of illustrating environment and unclaimed features and form no part of the claimed design. The long-short segment broken line indicates a boundary line and the unshaded surfaces adjacent the boundary line form no part of the claimed design.

1 Claim, 5 Drawing Sheets



(56)

References Cited

OTHER PUBLICATIONS

Brownells_Badger_Ordnance_700_M5_Detachable_Bottom_Metal Brownells (Oct. 7, 2014) Badger Ordnance—700 M5 Detachable Bottom Metal; Website [Online] Available Website: <http://www.brownells.com/rifle-parts/receiver-parts/bottom-metals/700-m5->

detachable-bottom-metal-prod61093.aspx; Last Update: Apr. 1, 2014; Accessed on: Mar. 18, 2015.

Battle_Arms_Development_Bad_DBM Battle Arms Development BAD-DBM; Website [Online] Available Website: <http://www.battlearmsdevelopment.com/bad-dbm>; Last Update: Unknown; Accessed on: Mar. 18, 2015.

* cited by examiner

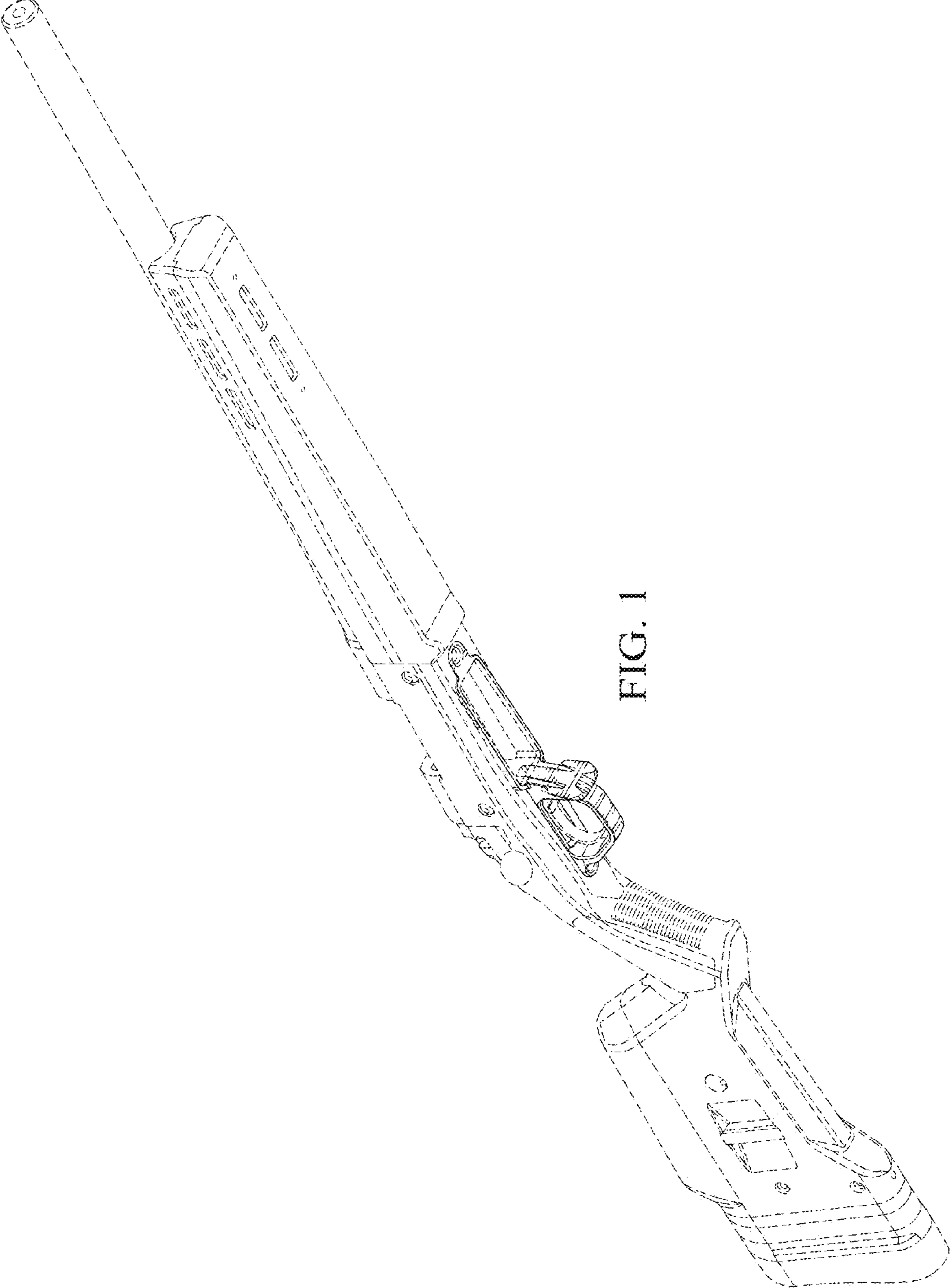


FIG. 1

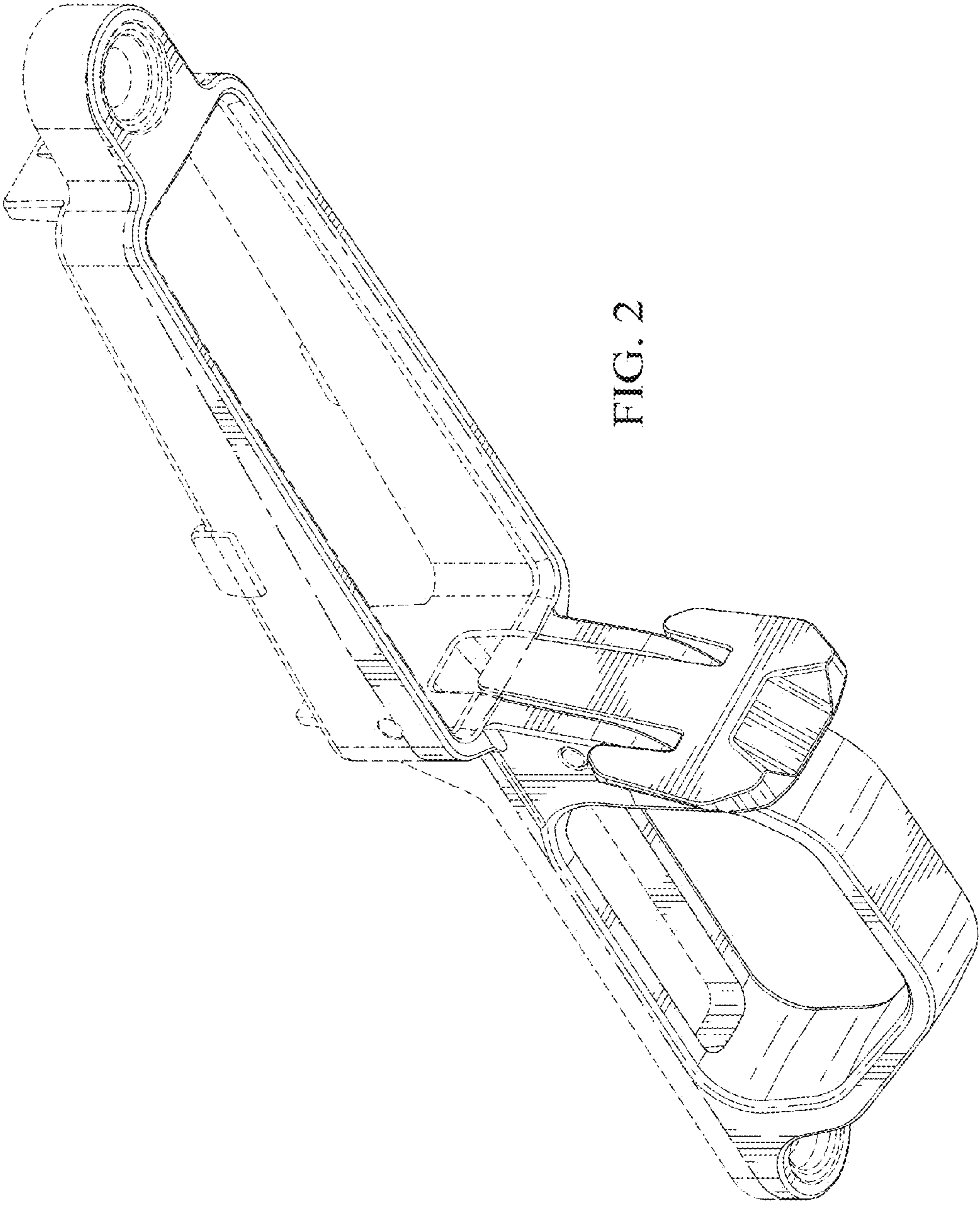


FIG. 2

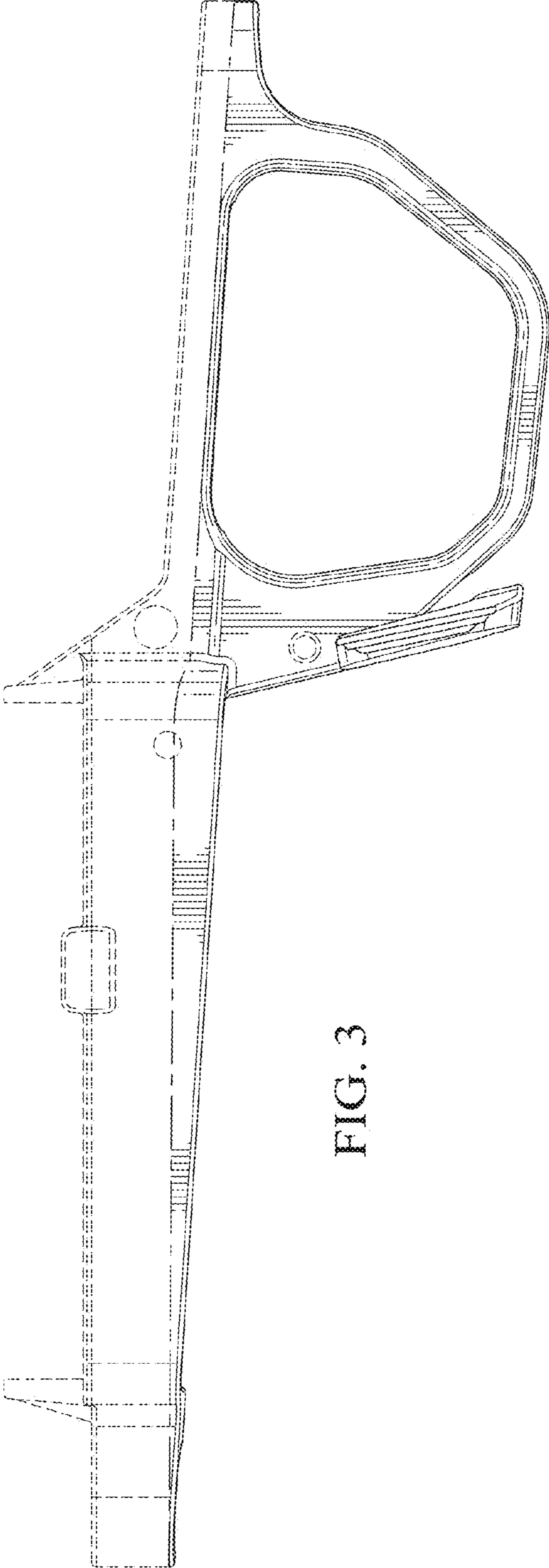


FIG. 3

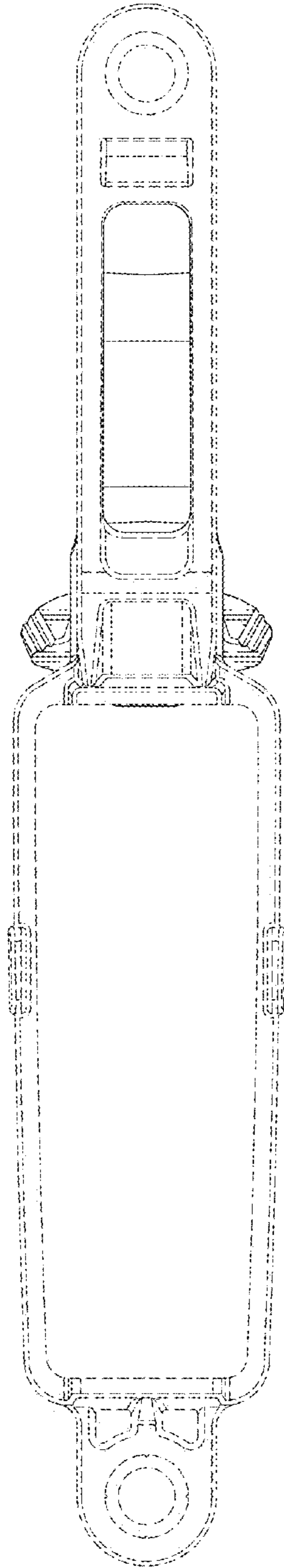


FIG. 4

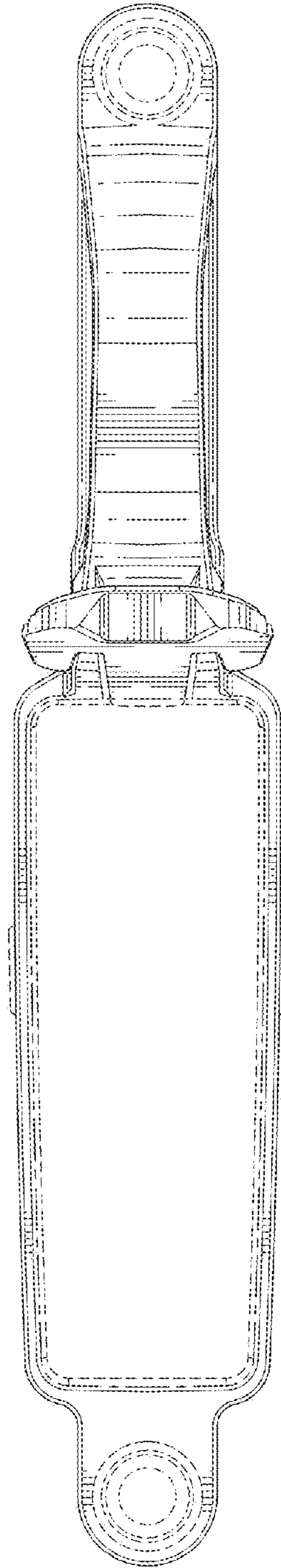


FIG. 5

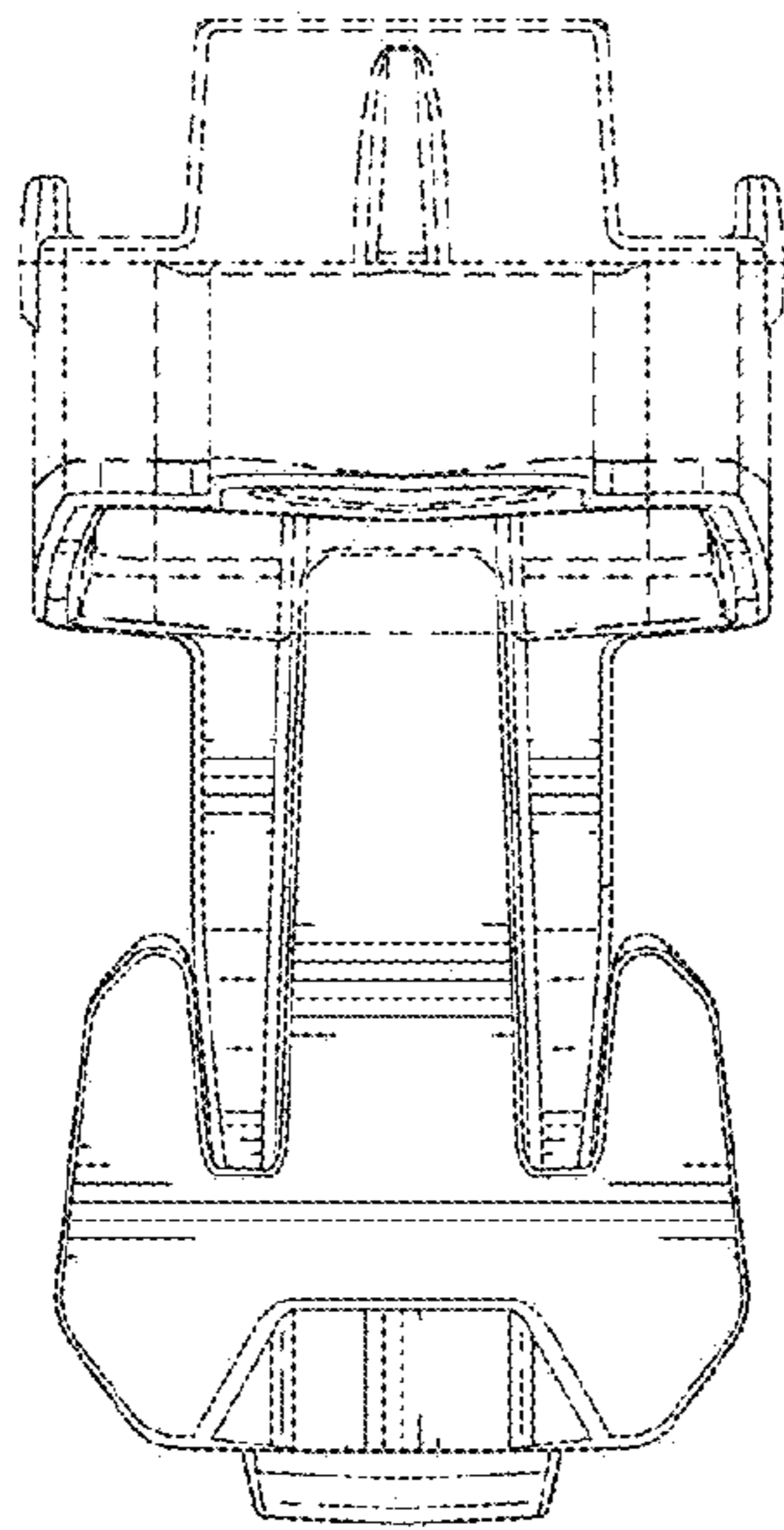


FIG. 6

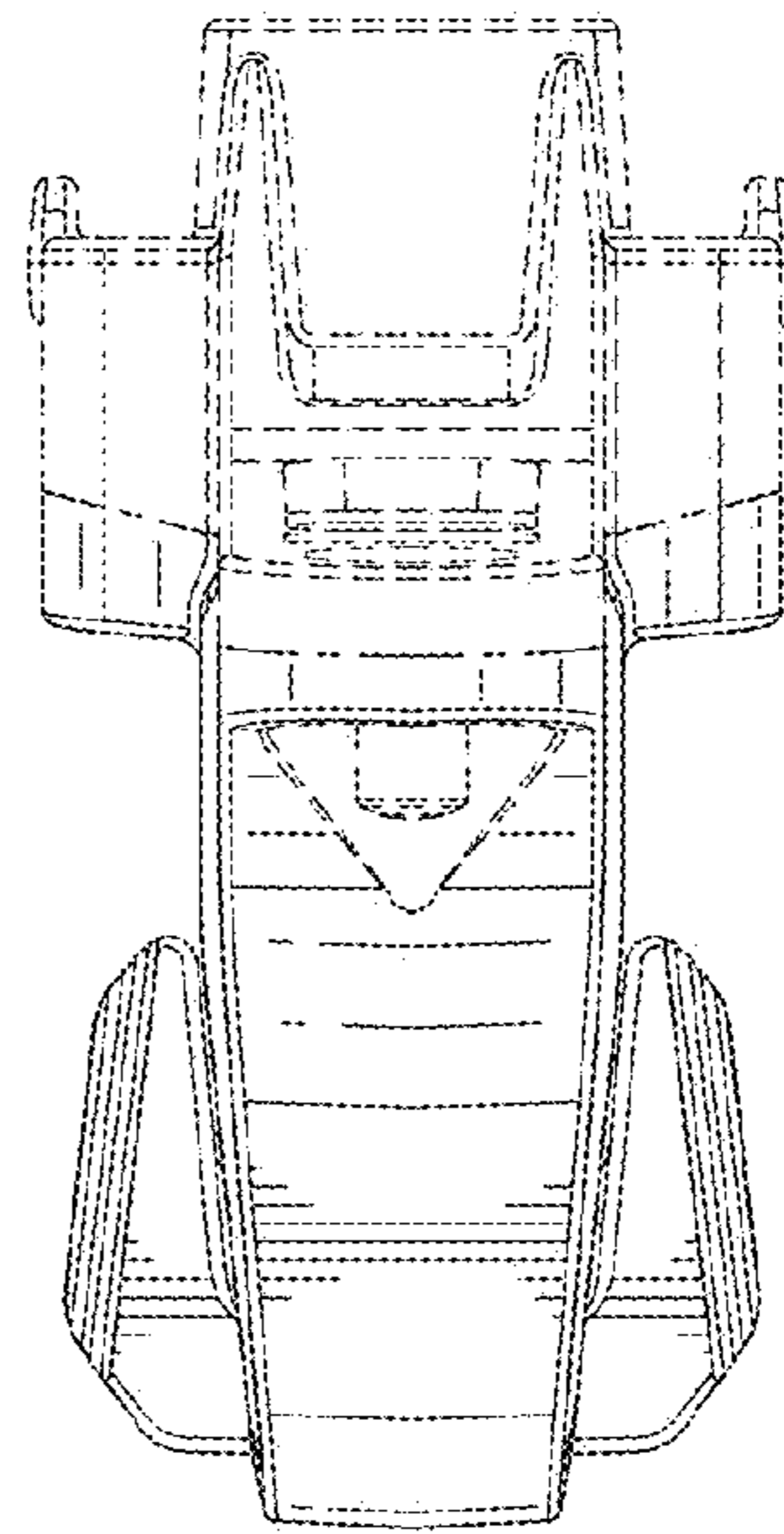


FIG. 7