



US00D755328S

(12) **United States Design Patent**  
**Eitan et al.**

(10) **Patent No.:** **US D755,328 S**

(45) **Date of Patent:** **\*\* May 3, 2016**

- (54) **PAD FOR A FIREARM SLING**
- (71) Applicant: **Magpul Industries Corporation**, Erie, CO (US)
- (72) Inventors: **Yehezkel Eitan**, Johnstown, CO (US); **William B. Bennett**, Lafayette, CO (US); **Michael T. Mayberry**, Denver, CO (US); **Duane Liptak**, Erie, CO (US)
- (73) Assignee: **Magpul Industries Corporation**, Louisville, CO (US)
- (\*\*) Term: **14 Years**
- (21) Appl. No.: **29/502,180**
- (22) Filed: **Sep. 12, 2014**
- (51) **LOC (10) Cl.** ..... **22-01**
- (52) **U.S. Cl.**  
USPC ..... **D22/108**
- (58) **Field of Classification Search**  
USPC ..... D22/108  
CPC .... F41C 33/002; F41C 33/001; F41C 33/006;  
F41C 33/007; F41C 23/02; A45F 3/12;  
A45F 2003/142  
See application file for complete search history.

(56) **References Cited**

**U.S. PATENT DOCUMENTS**

- 784,430 A \* 3/1905 Powell ..... F41C 33/002  
224/150
- D728,221 S \* 5/2015 Quinnan ..... D3/221
- D745,630 S \* 12/2015 Eitan ..... D22/108
- D745,631 S \* 12/2015 Eitan ..... D22/108
- 2004/0221373 A1 \* 11/2004 Lee ..... A45C 13/30  
2/268
- 2007/0251965 A1 \* 11/2007 Mosley ..... A45F 3/047  
224/637
- 2009/0152144 A1 \* 6/2009 Anderson ..... A45C 13/30  
206/315.3
- 2009/0283561 A1 \* 11/2009 Zamora ..... A45F 3/12  
224/264

- 2012/0248161 A1 \* 10/2012 Chauhan ..... A45F 3/12  
224/264
- 2015/0076181 A1 \* 3/2015 Seuk ..... F41C 33/002  
224/150
- 2015/0290018 A1 \* 10/2015 Okazawa ..... A45F 3/12  
428/138

**OTHER PUBLICATIONS**

5\_11\_VTAC\_2\_POINT\_PADDED\_SLING 5.11 VTAC 2 Point Padded Sling; Website [Online] Available Website: <http://www.511tactical.com/vtac-2-point-padded-sling.html>; Last Update: Unknown; Accessed on: Dec. 1, 2014.

Area51Tactical\_Blue\_Force\_Gear\_VCAS\_Vickers\_Sling Area51Tactical.com Blue Force Gear VCAS Vickers Sling Padded AA Model—Black; Website [Online] Available Website: [http://store.a51tactical.com/index.php?main\\_page=product\\_info&products\\_id=1967](http://store.a51tactical.com/index.php?main_page=product_info&products_id=1967); Last Update: Unknown; Accessed on: Dec. 1, 2014.

Blue\_Force\_Gear\_Vickers\_M249\_SAW\_Sling Blue Force Gear Vickers M249 Saw Sling; Website [Online] Available Website: <https://www.blueforcegear.com/vickers-combat-applications-sling-m249-saw-sling.html>; Last Update: Unknown; Accessed on: Dec. 1, 2014.

(Continued)

*Primary Examiner* — Michael A Pratt

(74) *Attorney, Agent, or Firm* — Swanson & Bratschun, L.L.C.

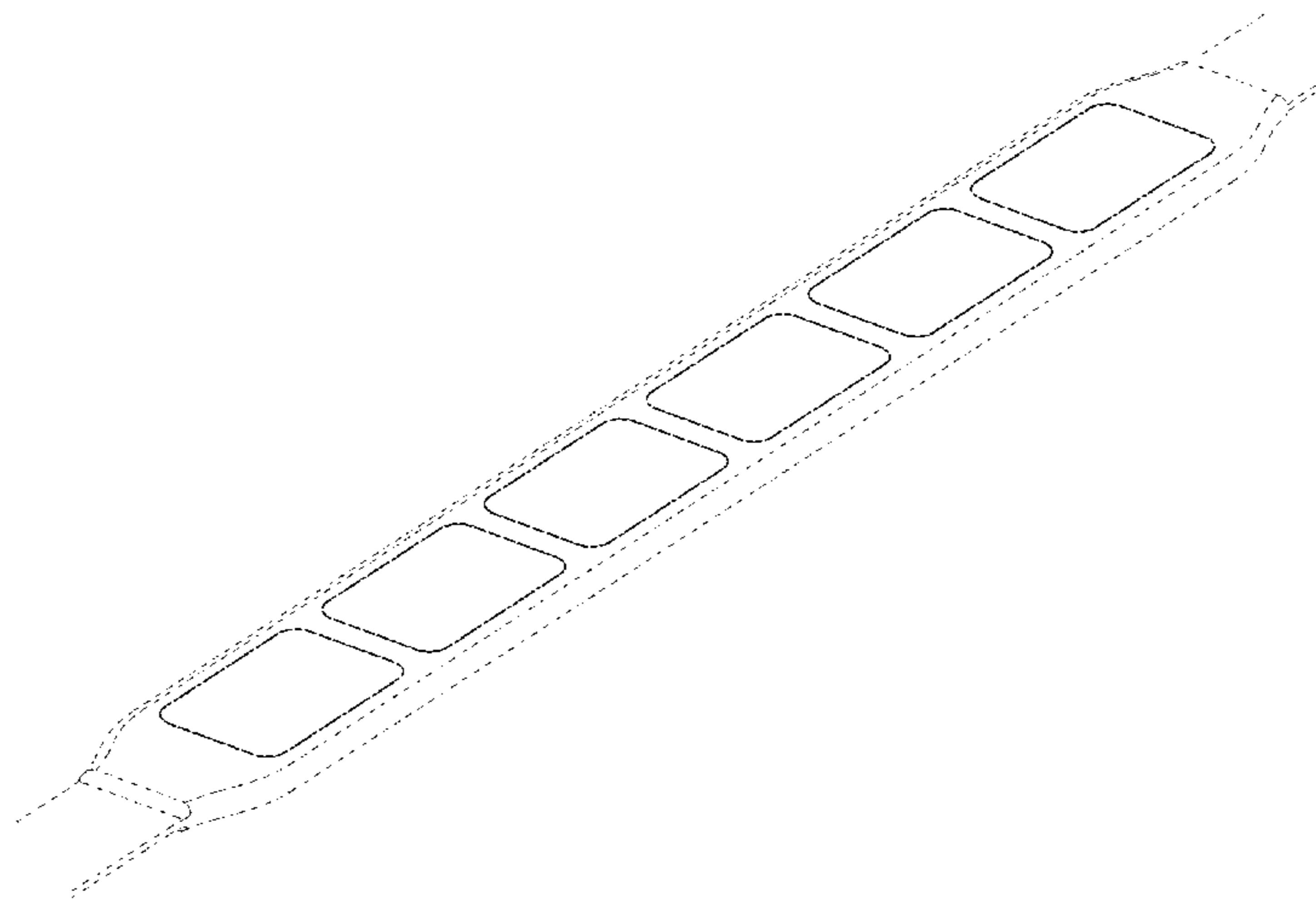
(57) **CLAIM**

The ornamental design for a pad for a firearm sling, as shown and described.

**DESCRIPTION**

FIG. 1 is a top, front, left perspective view of a pad for a firearm sling showing our new design, the bottom, rear, right perspective view being a mirror image thereof; and, FIG. 2 is a top plan view of the pad for a firearm sling of FIG. 1, the bottom plan view being a mirror image thereof. The broken lines showing portions of the design in all figures are included for the purpose of illustrating environment and unclaimed features and forms no part of the claimed design.

**1 Claim, 2 Drawing Sheets**



(56)

**References Cited**

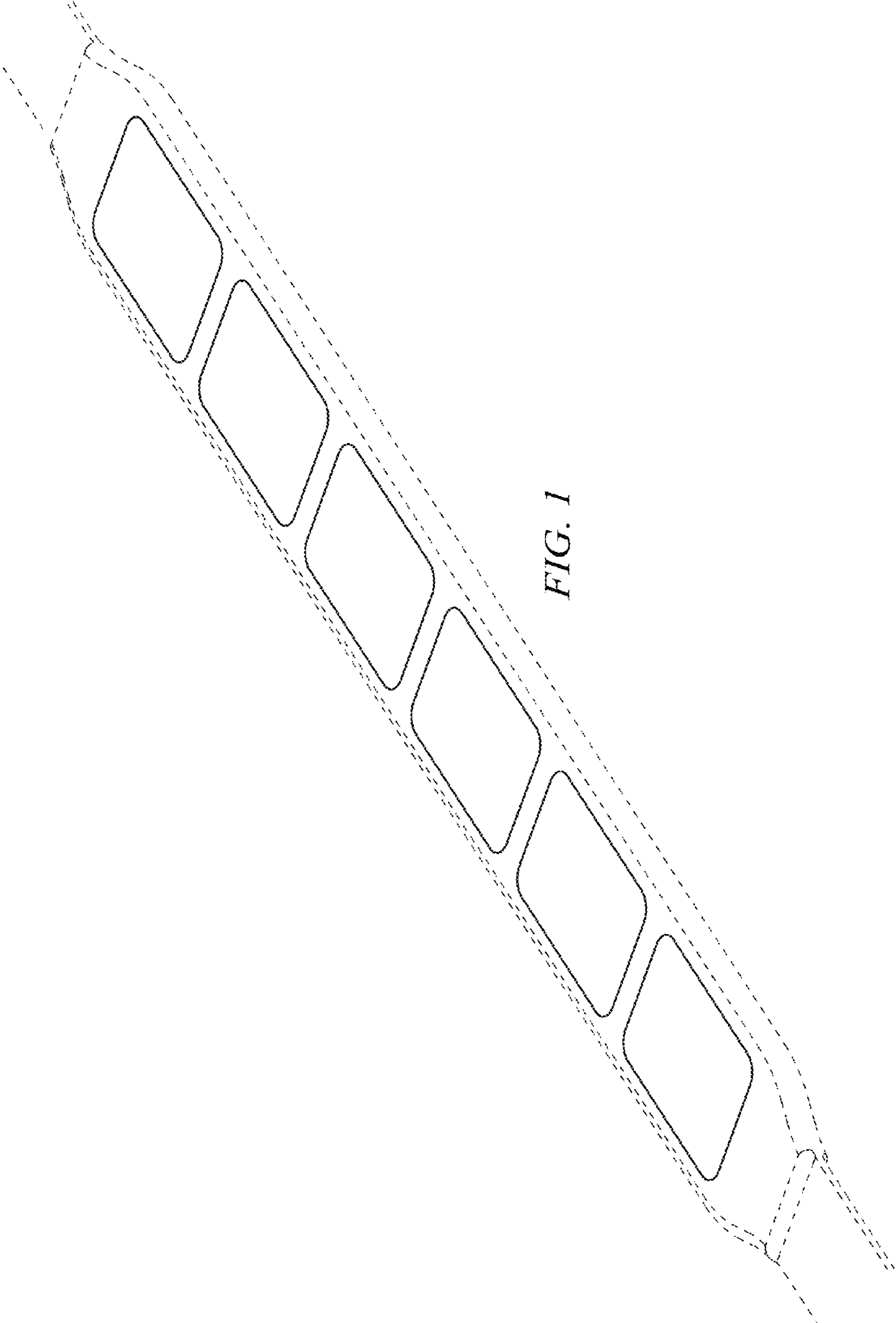
OTHER PUBLICATIONS

Bravo Company USA Sling-Swivel-Mounts, Online Catalog (2010), <http://www.bravocompanyusa.com/Sling-Swivel-Mounts-s/63.htm>. Design U.S. Appl. No. 29/400,245, filed Aug. 25, 2011, "MS3 D-Ring" by Fitzpatrick.

Vickers\_Tactical\_M240\_Sling Vickers Tactical Vickers Tactical M240 Sling; Website [Online] Available Website: <http://vickerstactical.com/larry-vickers-products/m240-sling/>; Last Update: Unknown; Accessed on: Dec. 1, 2014.

Wilson Combat Picatinny Rail Sling Mounts, Online Catalog (2010), [http://www.wilsoncombat.com/r\\_pr\\_slingmounts.asp](http://www.wilsoncombat.com/r_pr_slingmounts.asp).

\* cited by examiner



*FIG. 1*

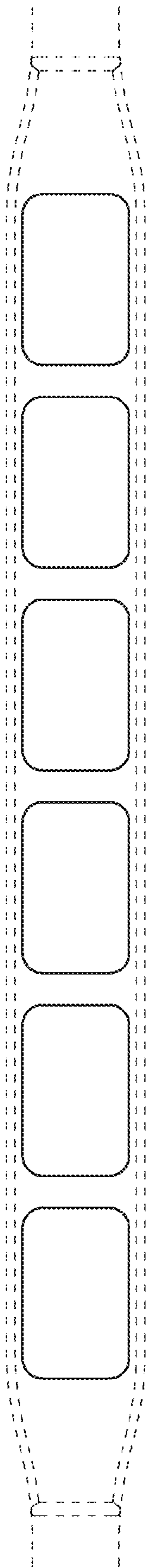


FIG. 2