



US00D755327S

(12) **United States Design Patent**  
**Siddle et al.**

(10) **Patent No.:** **US D755,327 S**

(45) **Date of Patent:** **\*\* \*May 3, 2016**

(54) **OFF-TRIGGER LOCATOR ATTACHMENT**

(71) Applicants: **Bruce K. Siddle**, Millstadt, IL (US);  
**David A. Grossman**, Mascoutah, IL (US); **Jonathon D. Grossman**,  
Mascoutah, IL (US)

(72) Inventors: **Bruce K. Siddle**, Millstadt, IL (US);  
**David A. Grossman**, Mascoutah, IL (US); **Jonathon D. Grossman**,  
Mascoutah, IL (US)

(\*) Notice: This patent is subject to a terminal disclaimer.

(\*\*) Term: **14 Years**

(21) Appl. No.: **29/501,177**

(22) Filed: **Sep. 2, 2014**

(51) **LOC (10) Cl.** ..... **22-01**

(52) **U.S. Cl.**  
USPC ..... **D22/108**

(58) **Field of Classification Search**  
USPC ..... D22/108  
CPC ..... F41C 23/10; F41C 23/14; F41C 23/16;  
F41C 23/18

See application file for complete search history.

(56) **References Cited**

**U.S. PATENT DOCUMENTS**

189,721 A	4/1877	Freund
607,344 A	7/1898	Cooper
694,969 A	3/1902	Kemp
837,563 A	12/1906	Hartman
1,087,747 A	2/1914	Evans
1,277,002 A	8/1918	Van Name
1,363,553 A	12/1920	Barringer
1,475,037 A	11/1923	Thimgren
1,680,186 A	8/1928	Von Frommer
1,890,005 A	12/1932	Stiennon
2,058,305 A	10/1936	Forsling
2,270,707 A	1/1942	Humski
D142,016 S	8/1945	Birk
D177,679 S	5/1956	Ivy

(Continued)

**OTHER PUBLICATIONS**

KSC M17, Sep. 19, 2011, [www.north-texas-airsoft.org/wiki/index.php?title=KSC\\_M17&oldid=1511](http://www.north-texas-airsoft.org/wiki/index.php?title=KSC_M17&oldid=1511).

(Continued)

*Primary Examiner* — Michael A Pratt

(74) *Attorney, Agent, or Firm* — Thompson Coburn LLP;  
Matthew Himich

(57) **CLAIM**

The ornamental design for an off-trigger locator attachment, as shown and described.

**DESCRIPTION**

FIG. 1 is a front view of the off-trigger locator attachment for a firearm;

FIG. 2 is a top view of the off-trigger locator attachment of FIG. 1;

FIG. 3 is a left side view of the off-trigger locator attachment of FIG. 1;

FIG. 4 is a right side view of the off-trigger locator attachment of FIG. 1;

FIG. 5 is rear view of the off-trigger locator attachment of FIG. 1 (opposite the view of FIG. 1);

FIG. 6 is bottom view of the off-trigger locator attachment of FIG. 1 (opposite the view of FIG. 2);

FIG. 7 is a perspective view of the off-trigger locator attachment of FIG. 1;

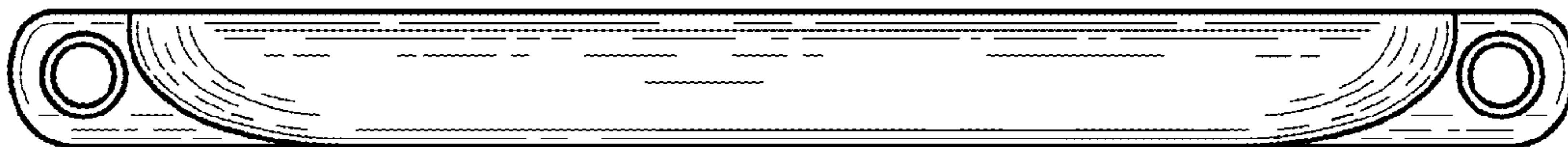
FIG. 8 is an alternate perspective view of the off-trigger locator attachment of FIG. 1;

FIG. 9 is a front view of the off-trigger locator attachment of FIG. 1 shown mounted to an exemplary firearm (shown in phantom) to illustrate the environment in which the off-trigger locator attachment is used; and,

FIG. 10 is an alternative front view of the off-trigger locator attachment of FIG. 1 shown mounted to an exemplary firearm (shown in phantom) to illustrate the environment in which the off-trigger locator attachment is used.

The dashed lines form no part of the claimed design.

**1 Claim, 5 Drawing Sheets**



(56)

References Cited

U.S. PATENT DOCUMENTS

3,031,786 A \* 5/1962 Swan ..... F41A 19/11  
42/104

3,065,560 A 11/1962 Bumiller

3,090,123 A 5/1963 Barnes

3,381,380 A 5/1968 Thomas

D218,931 S 10/1970 Quinn

3,641,676 A 2/1972 Knutsen et al.

3,698,091 A 10/1972 Merrill et al.

3,901,125 A 8/1975 Raville

4,476,644 A 10/1984 Laing

4,601,123 A 7/1986 Swearingen et al.

5,065,519 A 11/1991 Bindon

5,359,800 A 11/1994 Fisher et al.

5,426,882 A 6/1995 Dornaus

5,515,636 A 5/1996 McGarry et al.

5,560,133 A 10/1996 Kuebler

D377,513 S 1/1997 Lenkarski et al.

5,654,594 A 8/1997 Bjornsen, III et al.

D416,069 S 11/1999 Emerson

D435,281 S 12/2000 Ling, Jr.

6,216,351 B1 4/2001 Flubacher et al.

D447,206 S 8/2001 Ling, Jr.

6,360,471 B1 3/2002 Stein

6,363,647 B2 4/2002 Kaminski

6,388,655 B1 5/2002 Leung

6,481,137 B2 11/2002 Kornberger

6,622,412 B1 9/2003 Wilkes

6,769,210 B2 8/2004 Bubits

6,775,940 B2 8/2004 Dworzan et al.

6,860,053 B2 3/2005 Christiansen

D562,931 S 2/2008 Szabo

D564,291 S 3/2008 Zemel

D565,144 S 3/2008 Price

7,509,766 B2 3/2009 Vasquez

D599,430 S 9/2009 Siddle et al.

D604,794 S 11/2009 Bentley

7,786,397 B2 8/2010 Dick

7,832,138 B1 11/2010 Price

8,132,352 B2 3/2012 Lippard

D658,263 S 4/2012 Nierenberg

D658,738 S 5/2012 Lund

8,181,378 B2 5/2012 Losinger

8,191,301 B2 6/2012 Hatfield

8,261,481 B1 9/2012 Shebaro

8,479,433 B1 7/2013 Shebaro

8,490,311 B2 7/2013 Hogue

8,497,767 B2 7/2013 Hollis, Jr.

D697,996 S \* 1/2014 Grossman ..... D22/108

RE44,786 E 3/2014 Hudson et al.

D701,280 S 3/2014 Siddle et al.

8,671,605 B2 3/2014 Siddle et al.

D713,485 S \* 9/2014 Firpo, I ..... D22/108

D738,983 S \* 9/2015 Mayberry ..... D22/108

2002/0170224 A1 11/2002 Lawless

2002/0174585 A1 11/2002 Fluhr et al.

2002/0194767 A1 12/2002 Houde-Walter et al.

2004/0003528 A1 1/2004 Holtzknecht et al.

2004/0216348 A1 11/2004 McMoore

2005/0229457 A1 10/2005 McGarry

2006/0096147 A1 5/2006 Gussalli Beretta

2006/0156608 A1 7/2006 Kellermann et al.

2007/0240354 A1 10/2007 Warren

2008/0120891 A1 5/2008 Wei

2009/0071053 A1 3/2009 Thomele et al.

2009/0071056 A1 3/2009 Storch et al.

2010/0170138 A1 7/2010 Zukowski

2010/0225064 A1 9/2010 Deatherage, Jr.

2010/0263254 A1 10/2010 Glock

2010/0319234 A1 12/2010 Clouser

2011/0047847 A1 3/2011 Hughes et al.

2011/0107642 A1 5/2011 Godard

2011/0138667 A1 6/2011 Bolden

2011/0314721 A1 12/2011 Lamb

2012/0005930 A1 1/2012 Cragg

2012/0141957 A1 6/2012 Miller

2012/0144721 A1 6/2012 Glimpse et al.

2012/0198744 A1 8/2012 Meller et al.

2013/0000173 A1 1/2013 Green et al.

2013/0081318 A1 4/2013 Morando

2013/0104440 A1 5/2013 Addis

2013/0185983 A1 7/2013 Glimpse et al.

2014/0047749 A1 \* 2/2014 Grossman ..... F41A 17/46  
42/1.01

2014/0047750 A1 \* 2/2014 Siddle ..... F41C 27/00  
42/1.01

OTHER PUBLICATIONS

Smith&WessonForums.com, Dec. 23, 2011, pp. 1-5.

U.S. Appl. No. 13/588,690, filed Aug. 17, 2012.

U.S. Appl. No. 13/588,722, filed Aug. 17, 2012.

U.S. Appl. No. 13/588,743, filed Aug. 17, 2012.

U.S. Appl. No. 13/588,759, filed Aug. 17, 2012.

U.S. Appl. No. 13/632,565, filed Oct. 1, 2012.

U.S. Appl. No. 29/429,844, filed Aug. 17, 2012.

U.S. Appl. No. 29/429,847, filed Aug. 17, 2012.

U.S. Appl. No. 29/429,857, filed Aug. 17, 2012.

U.S. Appl. No. 29/429,863, filed Aug. 17, 2012.

U.S. Appl. No. 29/433,523, filed Oct. 1, 2012.

X-Treme Grips, Dec. 8, 2009, [https://www.facebook.com/pages/X-Treme-Grips/197937916894?id=197937916894&sk=photos\\_stream](https://www.facebook.com/pages/X-Treme-Grips/197937916894?id=197937916894&sk=photos_stream).

\* cited by examiner

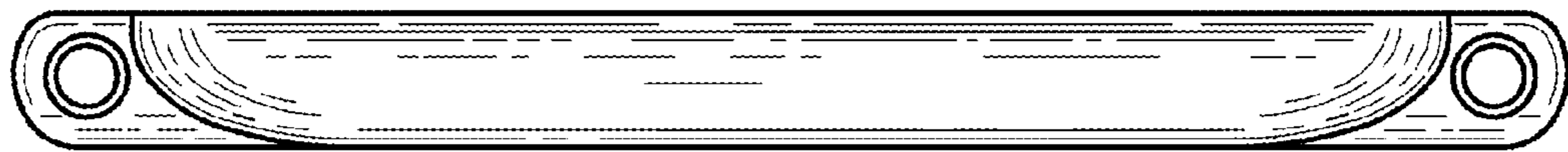


FIG. 1



FIG. 2

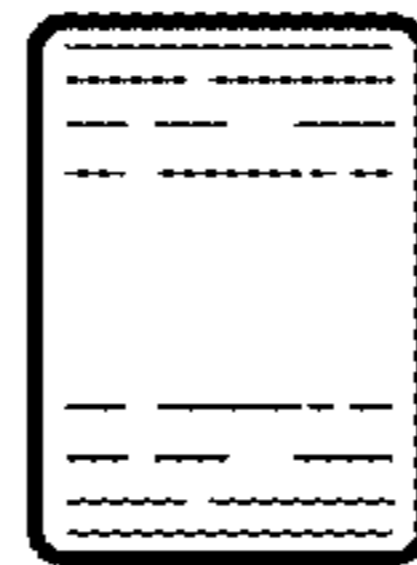


FIG. 3

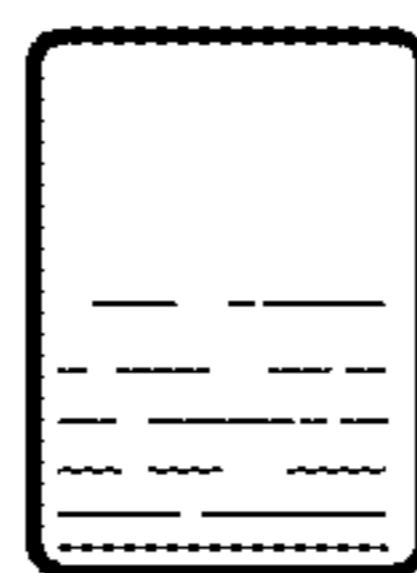


FIG. 4



FIG. 5



FIG. 6

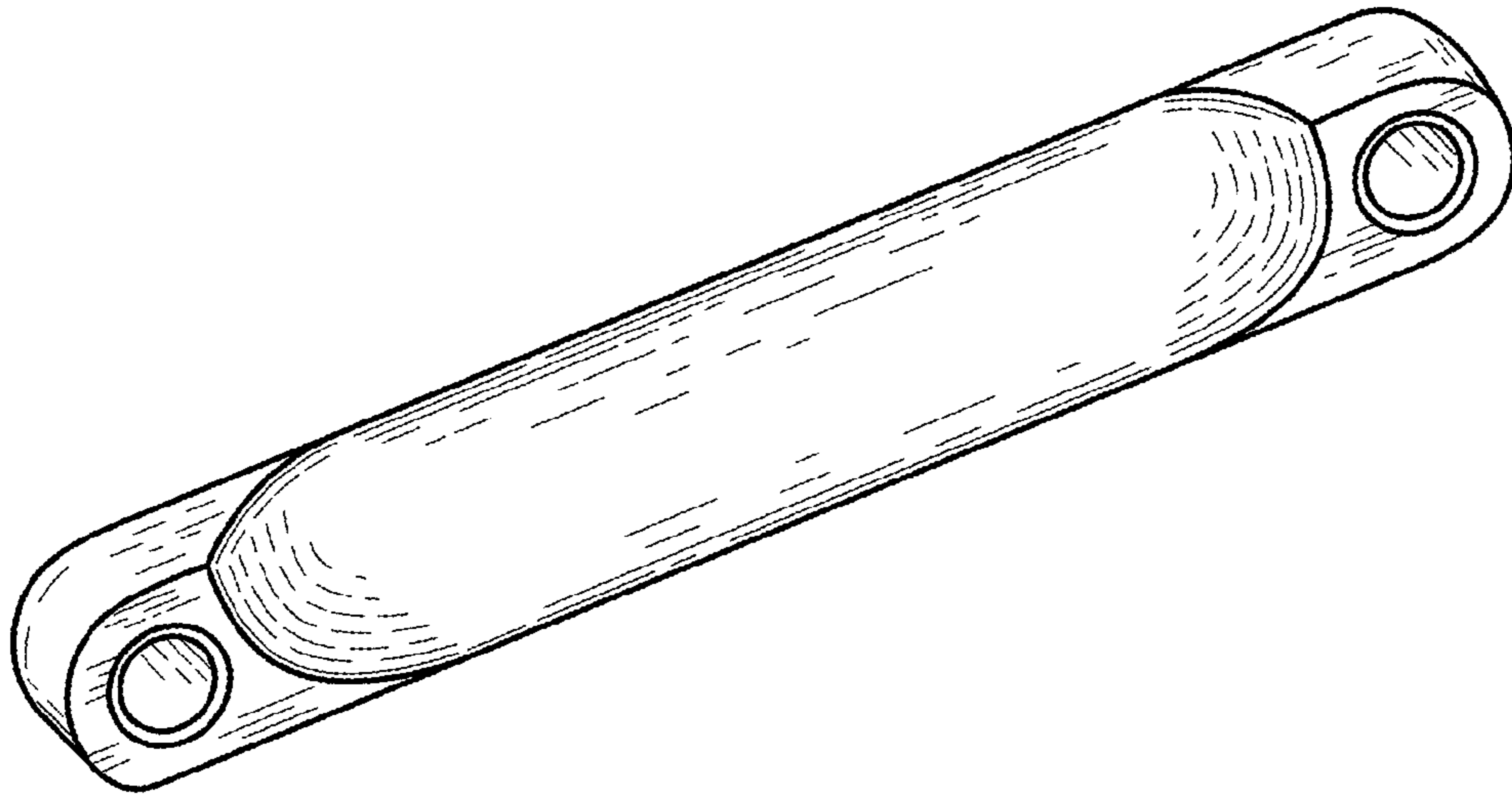


FIG. 7

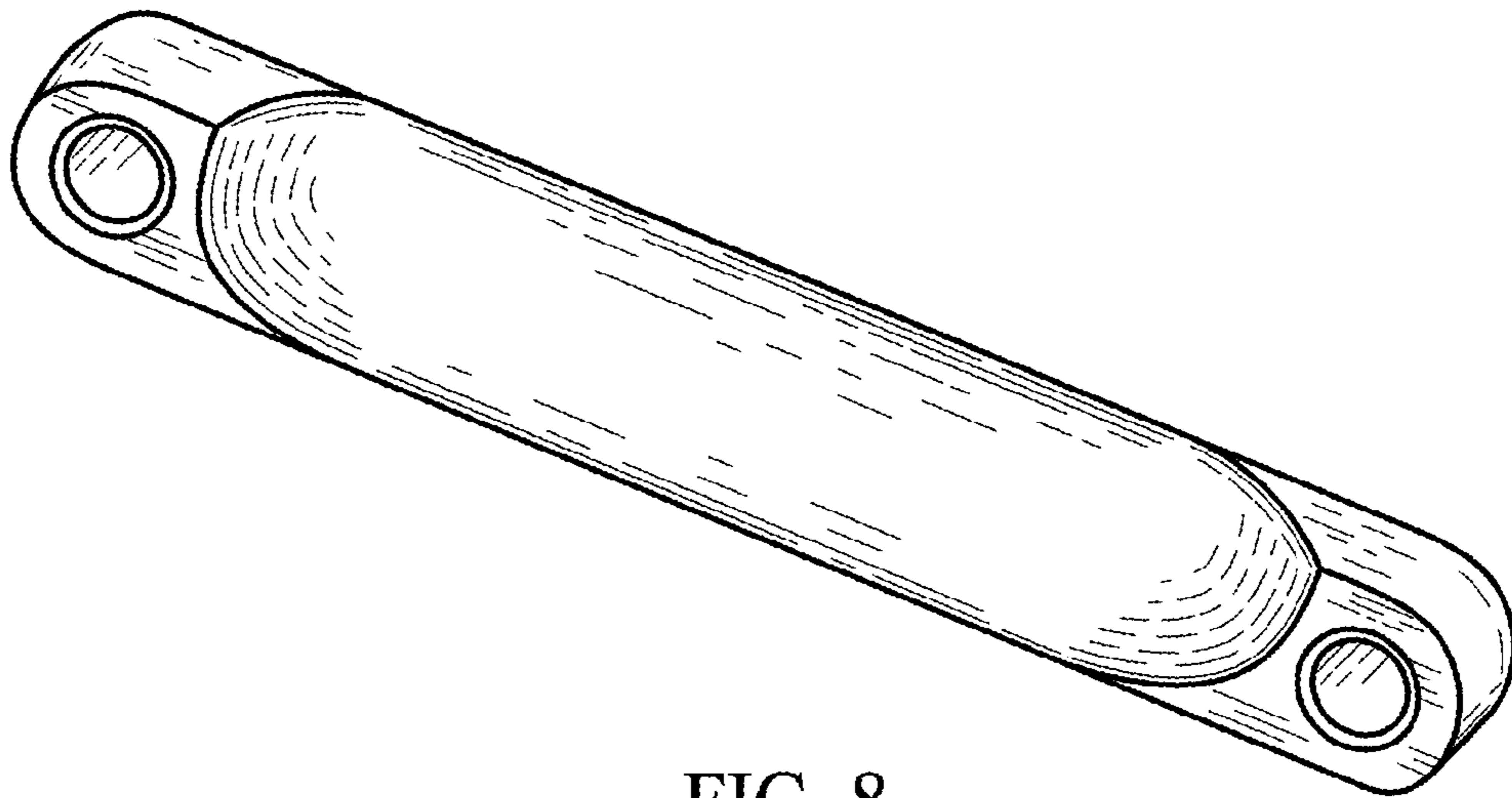


FIG. 8

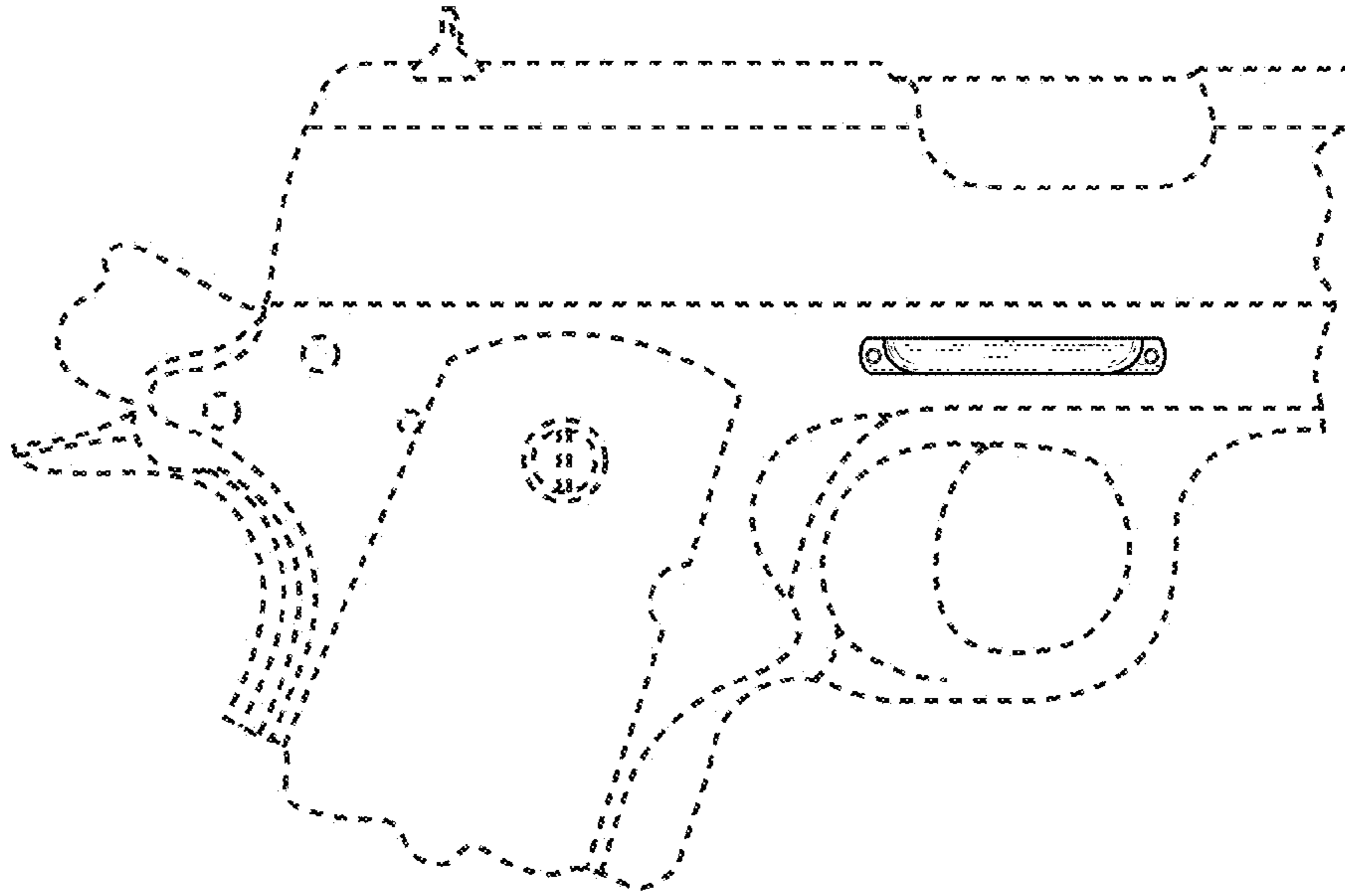


FIG. 9

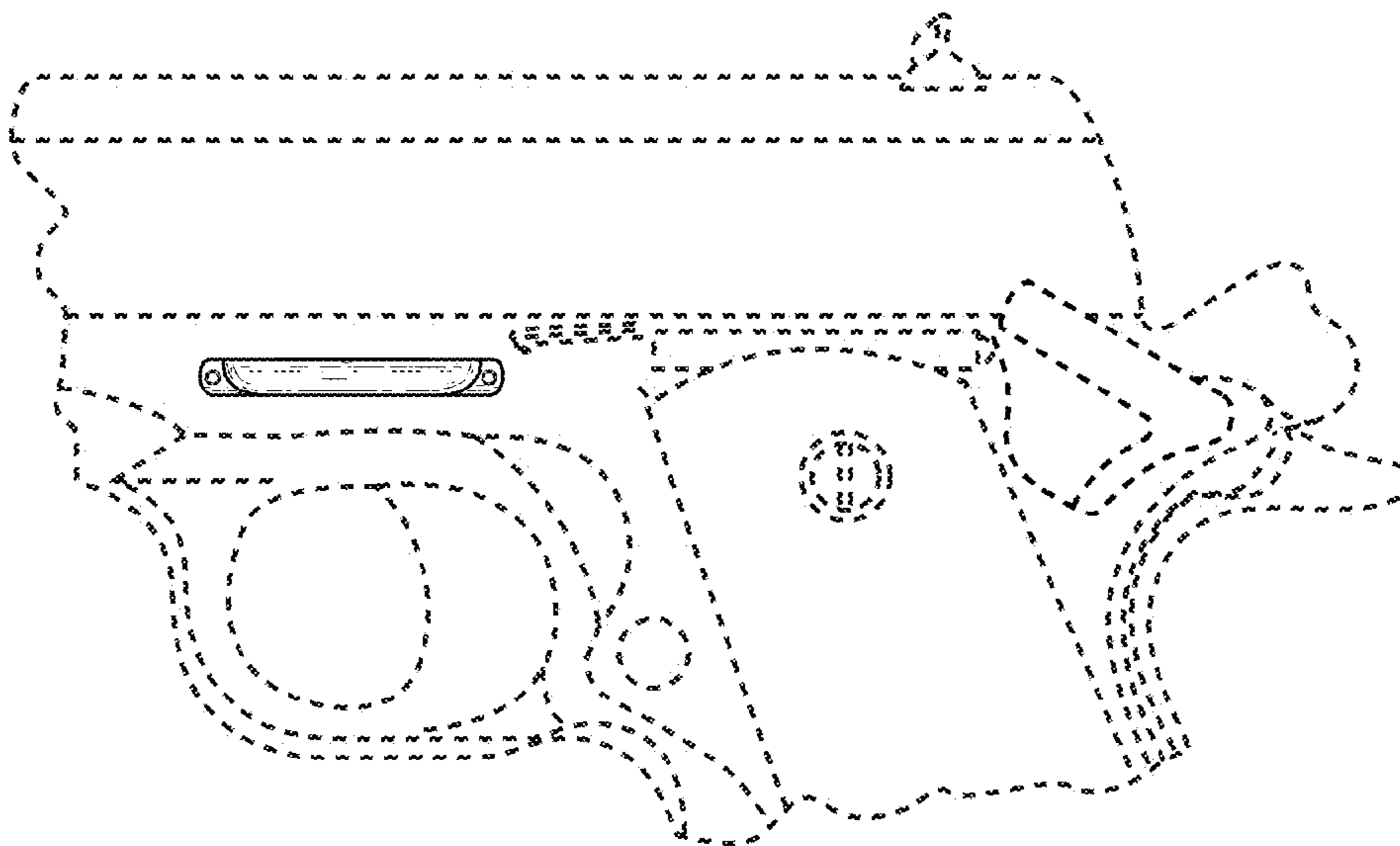


FIG. 10