

US00D755326S

(12) **United States Design Patent**  
**Siddle et al.**

(10) **Patent No.:** **US D755,326 S**

(45) **Date of Patent:** **\*\* \*May 3, 2016**

(54) **FIREARM WITH OFF-TRIGGER LOCATOR**

(71) Applicants: **Bruce K. Siddle**, Millstadt, IL (US);  
**David A. Grossman**, Mascoutah, IL (US);  
**Jonathon D. Grossman**, Mascoutah, IL (US)

(72) Inventors: **Bruce K. Siddle**, Millstadt, IL (US);  
**David A. Grossman**, Mascoutah, IL (US);  
**Jonathon D. Grossman**, Mascoutah, IL (US)

(\*) Notice: This patent is subject to a terminal disclaimer.

(\*\*) Term: **14 Years**

(21) Appl. No.: **29/501,176**

(22) Filed: **Sep. 2, 2014**

(51) **LOC (10) Cl.** ..... **22-01**

(52) **U.S. Cl.**  
USPC ..... **D22/108**

(58) **Field of Classification Search**  
USPC ..... D22/108  
CPC ..... F41C 23/10; F41C 23/14; F41C 23/16;  
F41C 23/18

See application file for complete search history.

(56) **References Cited**

**U.S. PATENT DOCUMENTS**

189,721 A 4/1877 Freund  
607,344 A 7/1898 Cooper

(Continued)

**OTHER PUBLICATIONS**

KSC M17, Sep. 19, 2011, [www.north-texas-airsoft.org/wiki/index.php?title=KSC\\_M17&oldid=1511](http://www.north-texas-airsoft.org/wiki/index.php?title=KSC_M17&oldid=1511).

(Continued)

*Primary Examiner* — Michael A Pratt

(74) *Attorney, Agent, or Firm* — Thompson Coburn LLP;  
Matthew Himich

(57) **CLAIM**

The ornamental design for firearm with off-trigger locator, as shown and described.

**DESCRIPTION**

FIG. 1 is a partial right side elevational view of a firearm with off-trigger locator of our new design comprising an elongate raised portion disposed on a frame of the firearm adjacent the trigger of the firearm;

FIG. 2 is a partial left side elevational view of the firearm of FIG. 1;

FIG. 3 is a partial perspective view of the firearm of FIG. 1;

FIG. 4 is a partial alternate perspective view of the firearm of FIG. 1;

FIG. 5 is a partial alternate perspective view of the firearm of FIG. 1;

FIG. 6 is a partial alternate perspective view of the firearm of FIG. 1;

FIG. 7 is an enlarged partial cross-section view of the firearm of FIG. 1 taken along lines 7-7 of FIG. 1;

FIG. 8 is a partial left side elevational view of a firearm showing an alternate embodiment of a firearm with off-trigger locator of our new design comprising an elongate raised portion disposed on a frame of the firearm adjacent the trigger of the firearm;

FIG. 9 is a partial right side elevational view of the firearm of FIG. 8;

FIG. 10 is a partial perspective view of the firearm of FIG. 8;

FIG. 11 is a partial alternate perspective view of the firearm of FIG. 8;

FIG. 12 is a partial perspective view of the firearm of FIG. 8;

FIG. 13 is a partial alternate perspective view of the firearm of FIG. 8;

FIG. 14 is an enlarged partial cross-section view of the firearm of FIG. 8 taken along lines 14-14 of FIG. 8;

FIG. 15 is a partial right side elevational view of a firearm showing an alternate embodiment of a firearm with off-trigger locator of our new design comprising an elongate raised portion disposed on a frame of the firearm adjacent the trigger of the firearm;

FIG. 16 is a partial left side elevational view of the firearm of FIG. 15;

FIG. 17 is a partial alternate perspective view of the firearm of FIG. 15;

FIG. 18 is a partial alternate perspective view of the firearm of FIG. 15;

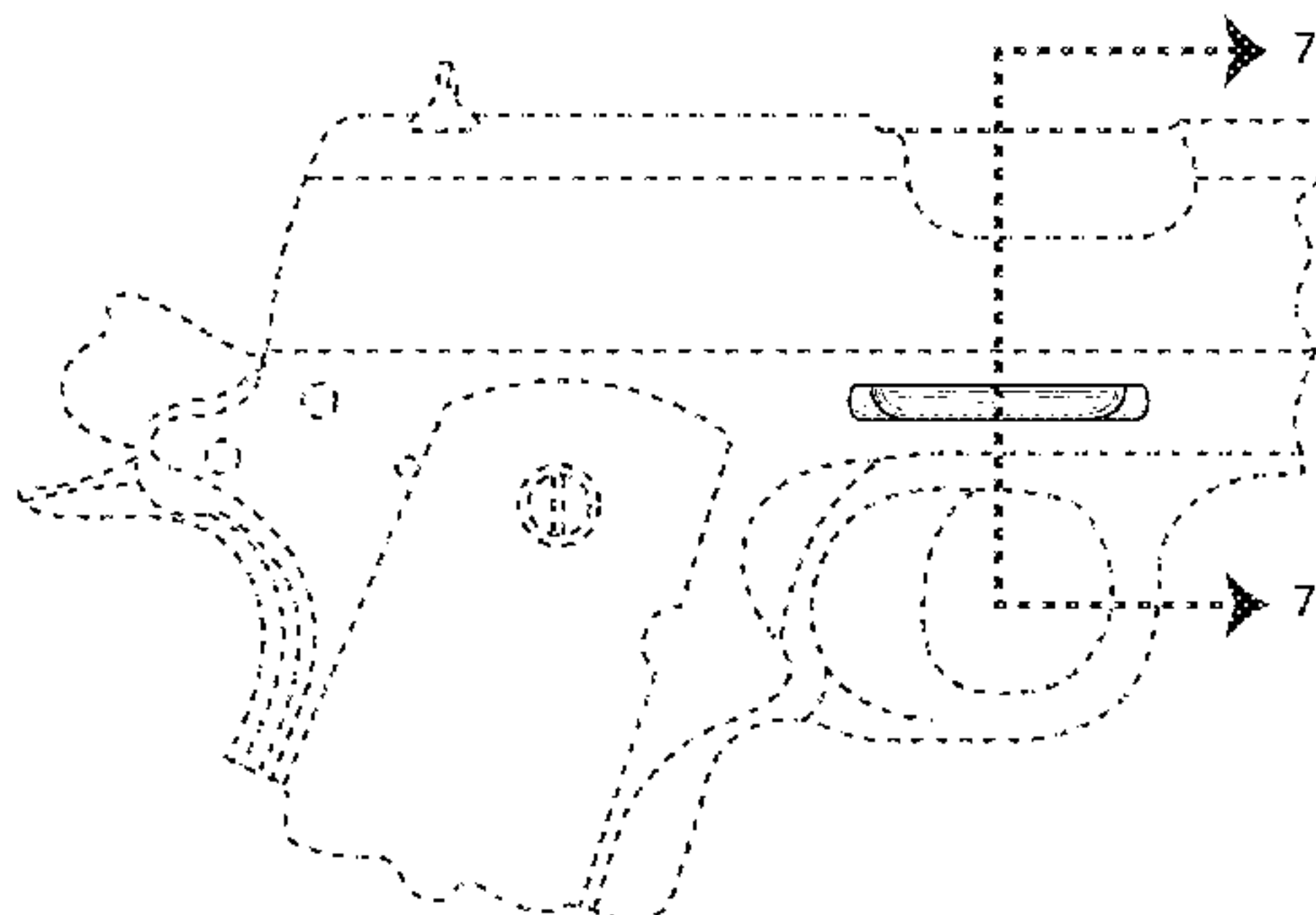
FIG. 19 is a partial alternate perspective view of the firearm of FIG. 15;

FIG. 20 is a partial alternate perspective view of the firearm of FIG. 15; and,

FIG. 21 is an enlarged partial cross-section view of the firearm of FIG. 15 taken along lines 21-21 of FIG. 15.

The dashed lines within the figures are for illustrative purposes only and form no part of the claimed design.

**1 Claim, 17 Drawing Sheets**



(56)

References Cited

U.S. PATENT DOCUMENTS

694,969 A 3/1902 Kemp  
 837,563 A 12/1906 Hartman  
 1,087,747 A 2/1914 Evans  
 1,277,002 A 8/1918 Van Name  
 1,363,553 A 12/1920 Barringer  
 1,475,037 A 11/1923 Thimgren  
 1,680,186 A 8/1928 Von Frommer  
 1,890,005 A 12/1932 Stiennon  
 2,058,305 A 10/1936 Forsling  
 2,270,707 A 1/1942 Humski  
 D142,016 S 8/1945 Birk  
 D177,679 S 5/1956 Ivy  
 3,031,786 A \* 5/1962 Swan ..... F41A 19/11  
 42/104  
 3,065,560 A 11/1962 Bumiller  
 3,090,123 A 5/1963 Barnes  
 3,381,380 A 5/1968 Thomas  
 D218,931 S 10/1970 Quinn  
 3,641,676 A 2/1972 Knutsen et al.  
 3,698,091 A 10/1972 Merrill et al.  
 3,901,125 A 8/1975 Raville  
 4,476,644 A 10/1984 Laing  
 4,601,123 A 7/1986 Swearengen et al.  
 5,065,519 A 11/1991 Bindon  
 5,359,800 A 11/1994 Fisher et al.  
 5,426,882 A 6/1995 Dornaus  
 5,515,636 A 5/1996 McGarry et al.  
 5,560,133 A 10/1996 Kuebler  
 D377,513 S 1/1997 Lenkarski et al.  
 5,654,594 A 8/1997 Bjornsen, III et al.  
 D416,069 S 11/1999 Emerson  
 D435,281 S 12/2000 Ling, Jr.  
 6,216,351 B1 4/2001 Flubacher et al.  
 D447,206 S 8/2001 Ling, Jr.  
 6,360,471 B1 3/2002 Stein  
 6,363,647 B2 4/2002 Kaminski  
 6,388,655 B1 5/2002 Leung  
 6,481,137 B2 11/2002 Kornberger  
 6,622,412 B1 9/2003 Wilkes  
 6,769,210 B2 8/2004 Bubits  
 6,775,940 B2 8/2004 Dworzan et al.  
 6,860,053 B2 3/2005 Christiansen  
 D562,931 S 2/2008 Szabo  
 D564,291 S 3/2008 Zemel  
 D565,144 S 3/2008 Price  
 7,509,766 B2 3/2009 Vasquez  
 D599,430 S 9/2009 Siddle et al.  
 D604,794 S 11/2009 Bentley  
 7,786,397 B2 8/2010 Dick  
 7,832,138 B1 11/2010 Price  
 8,132,352 B2 3/2012 Lippard  
 D658,263 S 4/2012 Nierenberg  
 D658,738 S 5/2012 Lund  
 8,181,378 B2 5/2012 Losinger  
 8,191,301 B2 6/2012 Hatfield

8,261,481 B1 9/2012 Shebaro  
 8,479,433 B1 7/2013 Shebaro  
 8,490,311 B2 7/2013 Hogue  
 8,497,767 B2 7/2013 Hollis, Jr.  
 D697,996 S \* 1/2014 Grossman ..... D22/108  
 RE44,786 E 3/2014 Hudson et al.  
 D713,485 S \* 9/2014 Firpo ..... D22/108  
 D738,983 S \* 9/2015 Mayberry ..... D22/108  
 2002/0170224 A1 11/2002 Lawless  
 2002/0174585 A1 11/2002 Fluhr et al.  
 2002/0194767 A1 12/2002 Houde-Walter et al.  
 2004/0003528 A1 1/2004 Holtzknecht et al.  
 2004/0216348 A1 11/2004 McMoore  
 2005/0229457 A1 10/2005 McGarry  
 2006/0096147 A1 5/2006 Gussalli Beretta  
 2006/0156608 A1 7/2006 Kellermann et al.  
 2007/0240354 A1 10/2007 Warren  
 2008/0120891 A1 5/2008 Wei  
 2009/0071053 A1 3/2009 Thomele et al.  
 2009/0071056 A1 3/2009 Storch et al.  
 2010/0170138 A1 7/2010 Zukowski  
 2010/0225064 A1 9/2010 Deatherage, Jr.  
 2010/0263254 A1 10/2010 Glock  
 2010/0319234 A1 12/2010 Clouser  
 2011/0047847 A1 3/2011 Hughes et al.  
 2011/0107642 A1 5/2011 Godard  
 2011/0138667 A1 6/2011 Bolden  
 2011/0314721 A1 12/2011 Lamb  
 2012/0005930 A1 1/2012 Cragg  
 2012/0141957 A1 6/2012 Miller  
 2012/0144721 A1 6/2012 Glimpse et al.  
 2012/0198744 A1 8/2012 Meller et al.  
 2013/0000173 A1 1/2013 Green et al.  
 2013/0081318 A1 4/2013 Morando  
 2013/0104440 A1 5/2013 Addis  
 2013/0185983 A1 7/2013 Glimpse et al.  
 2014/0047749 A1 \* 2/2014 Grossman ..... F41A 17/46  
 42/1.01  
 2014/0047750 A1 \* 2/2014 Siddle ..... F41C 27/00  
 42/1.01

OTHER PUBLICATIONS

Smith&WessonForums.com, Dec. 23, 2011, pp. 1-5.  
 U.S. Appl. No. 13/588,690, filed Aug. 17, 2012.  
 U.S. Appl. No. 13/588,722, filed Aug. 17, 2012.  
 U.S. Appl. No. 13/588,743, filed Aug. 17, 2012.  
 U.S. Appl. No. 13/588,759, filed Aug. 17, 2012.  
 U.S. Appl. No. 13/632,565, filed Oct. 1, 2012.  
 U.S. Appl. No. 29/429,844, filed Aug. 17, 2012.  
 U.S. Appl. No. 29/429,847, filed Aug. 17, 2012.  
 U.S. Appl. No. 29/429,857, filed Aug. 17, 2012.  
 U.S. Appl. No. 29/429,863, filed Aug. 17, 2012.  
 U.S. Appl. No. 29/433,523, filed Oct. 1, 2012.  
 X-Treme Grips, Dec. 8, 2009, [https://www.facebook.com/pages/X-TREME-GRIPS/197937916894?id=197937916894&sk=photos\\_stream](https://www.facebook.com/pages/X-TREME-GRIPS/197937916894?id=197937916894&sk=photos_stream).

\* cited by examiner



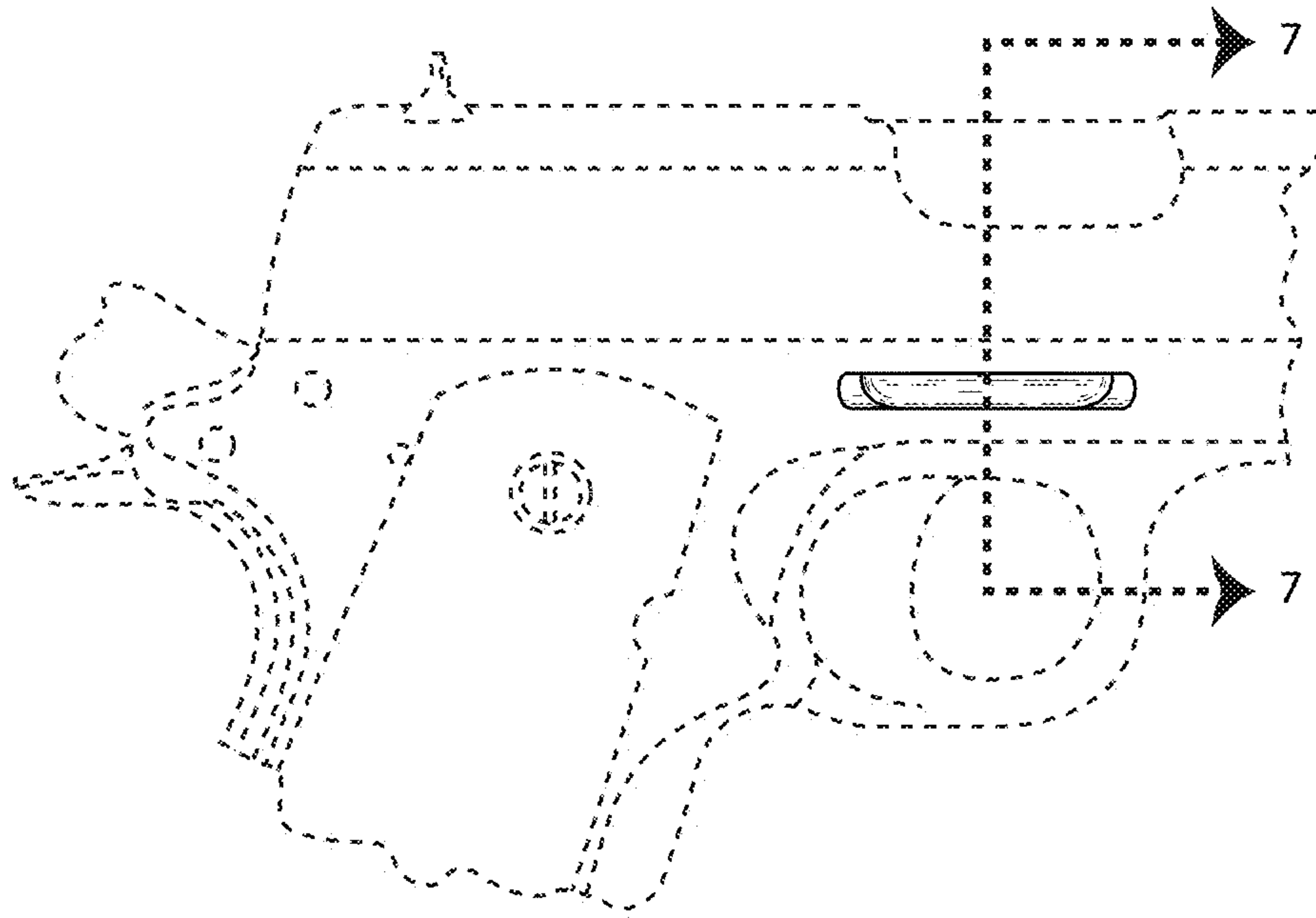


FIG. 1

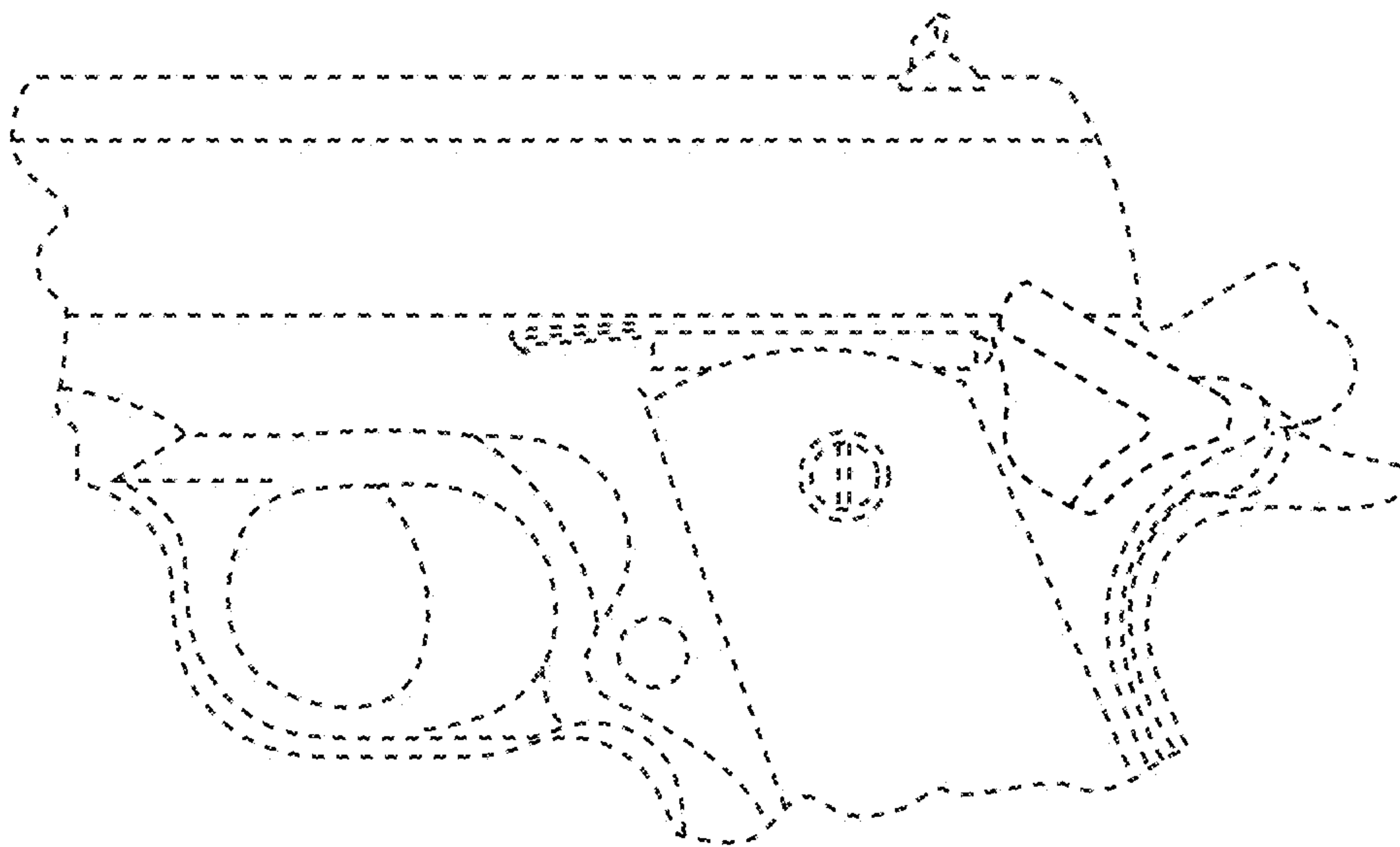


FIG. 2

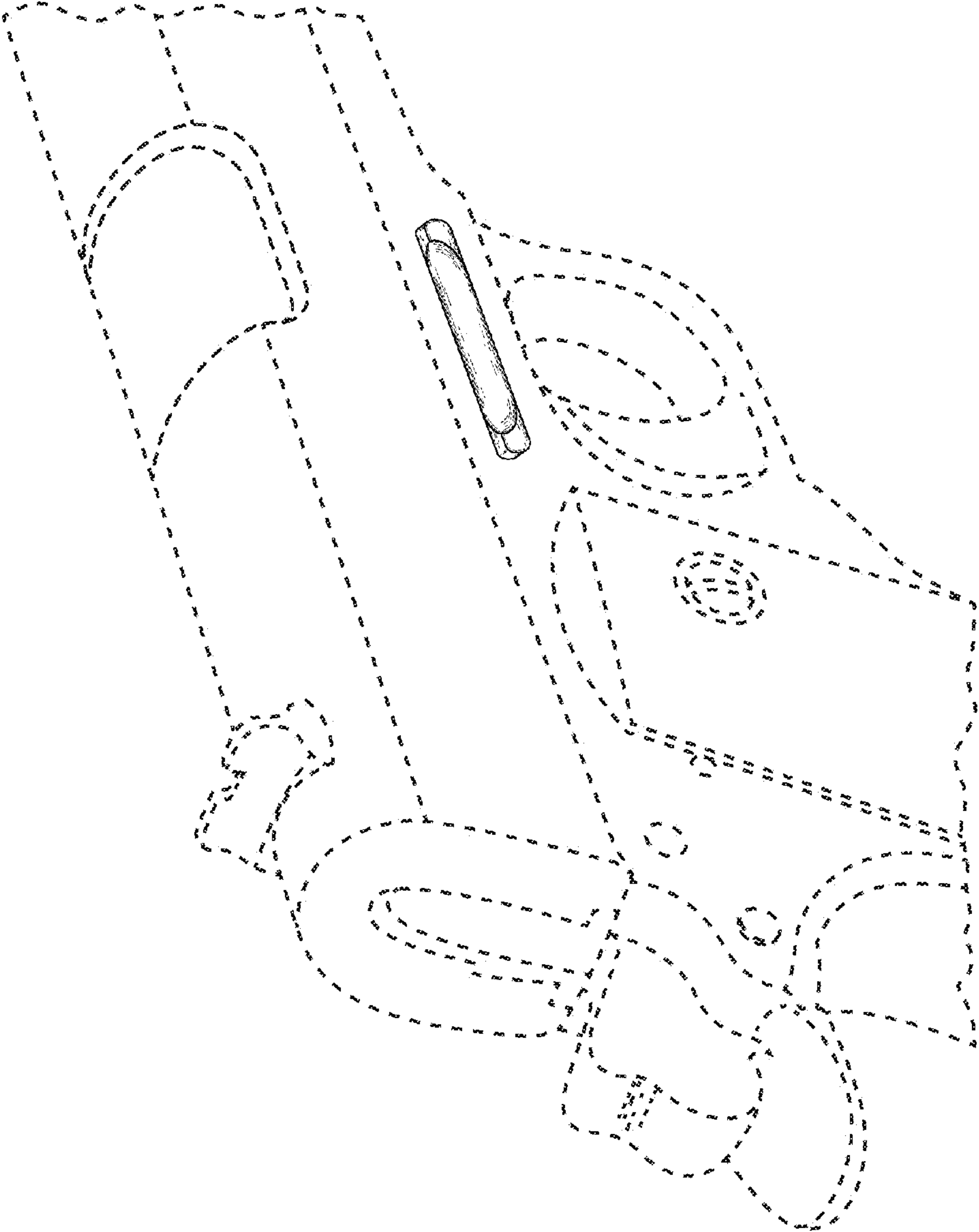


FIG. 3

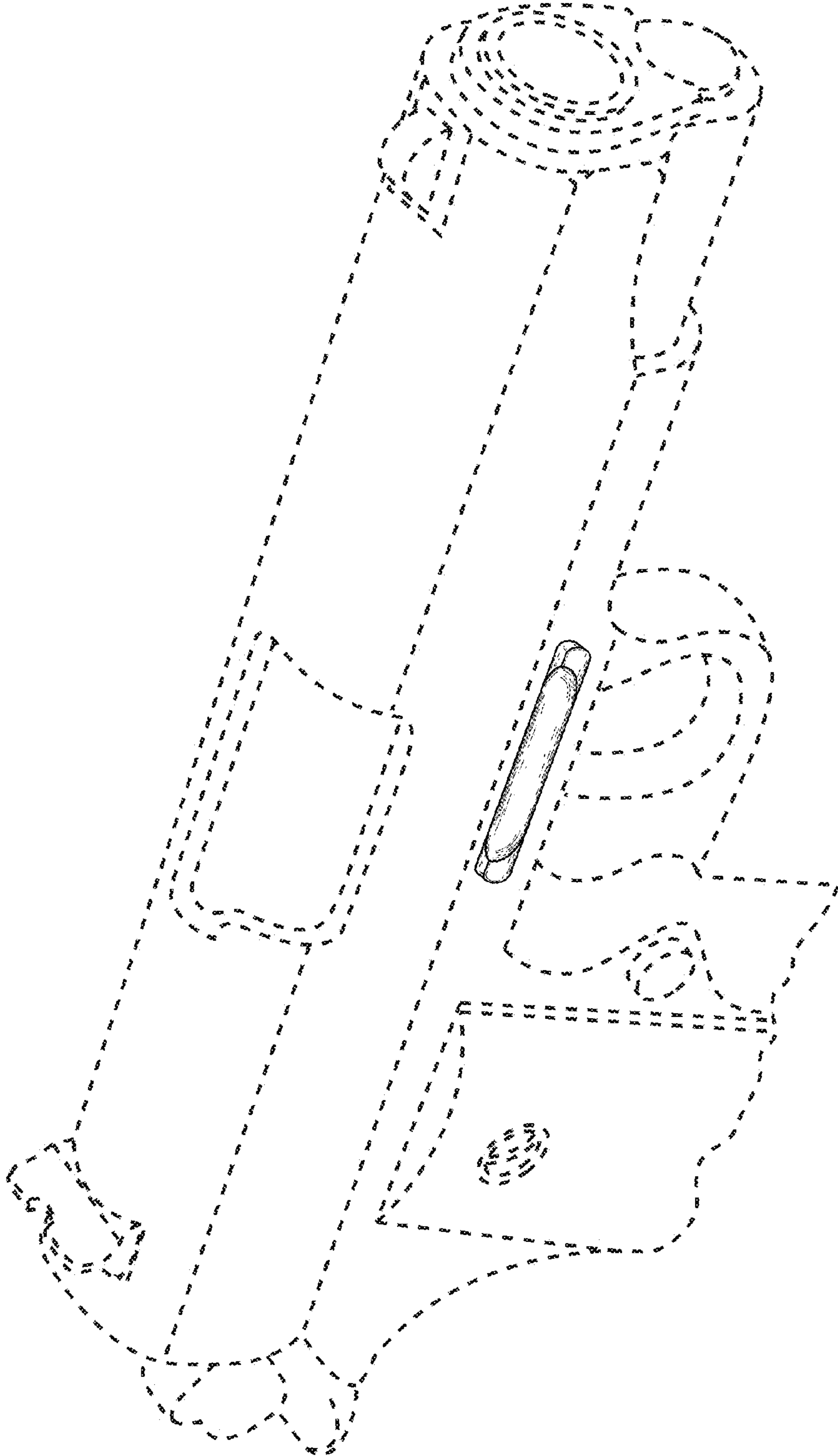


FIG. 4

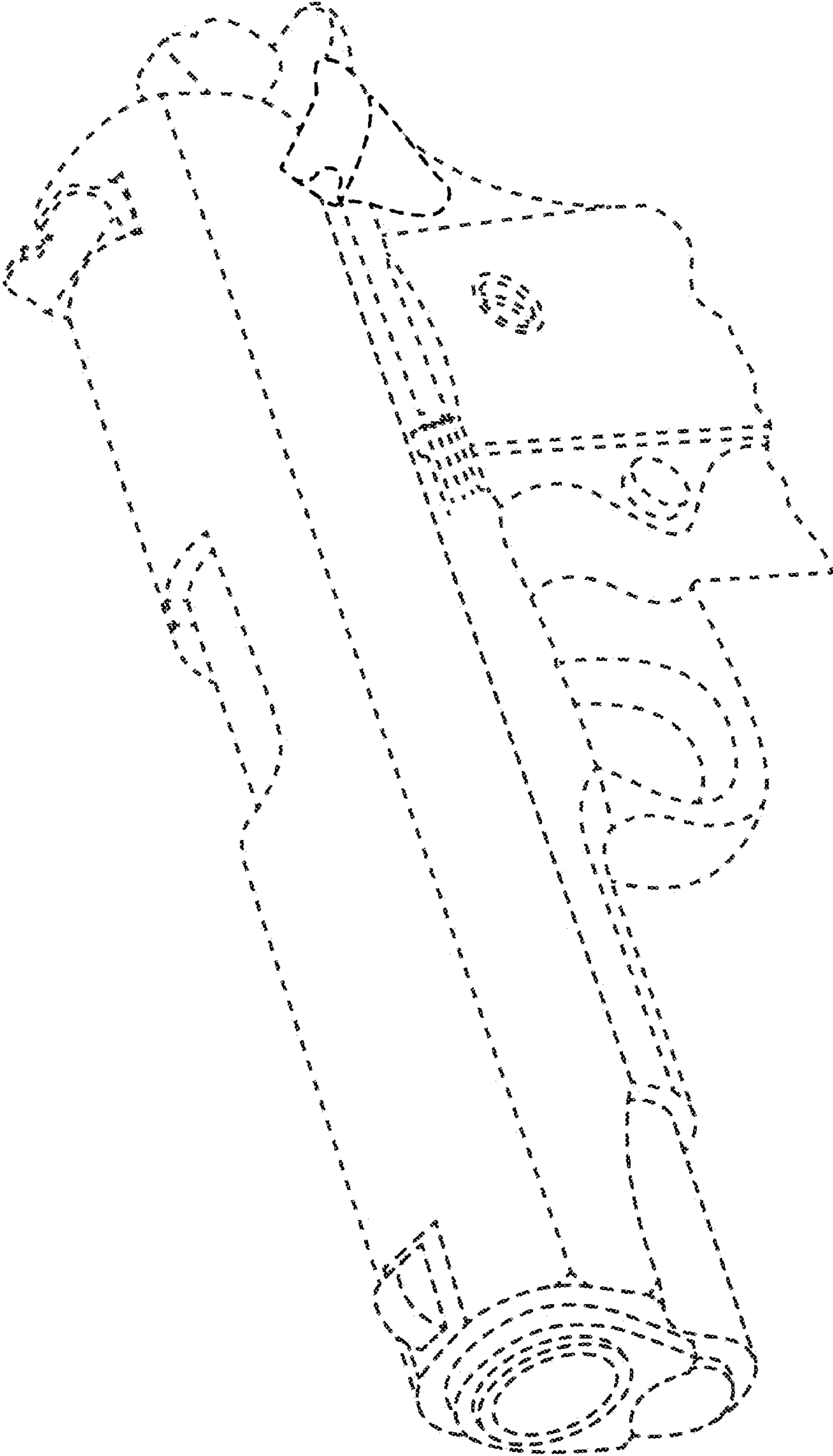


FIG. 5

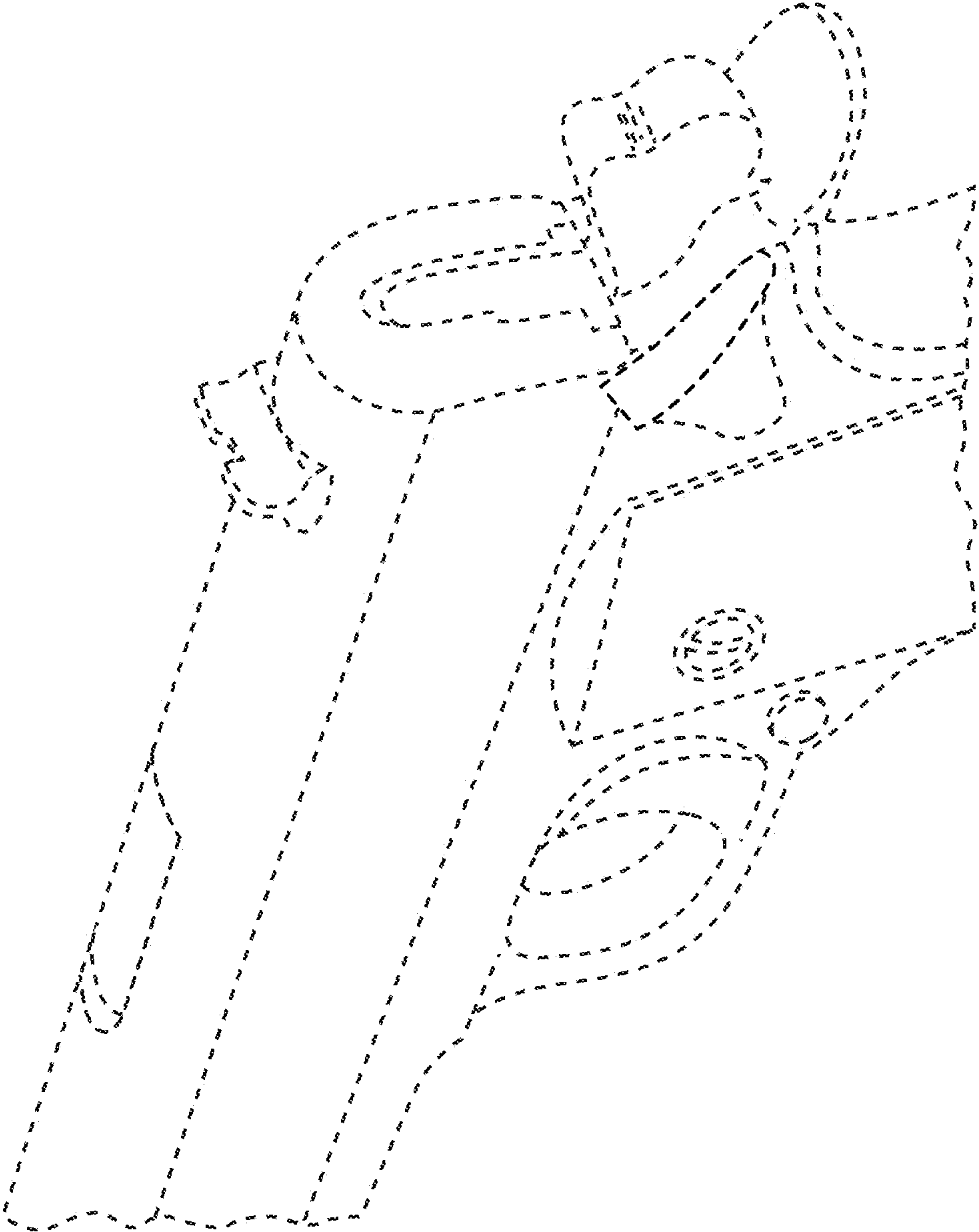


FIG. 6

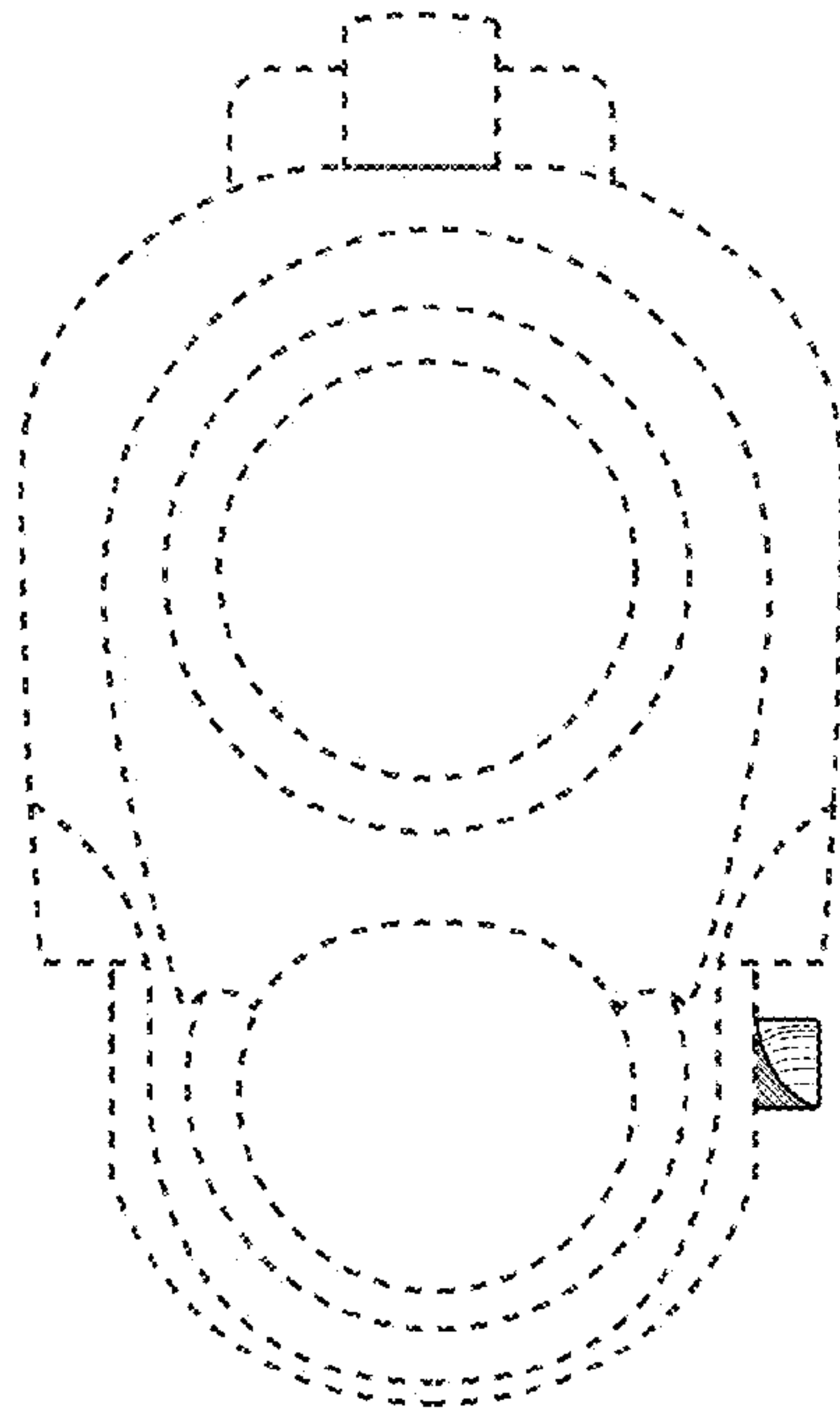


FIG. 7

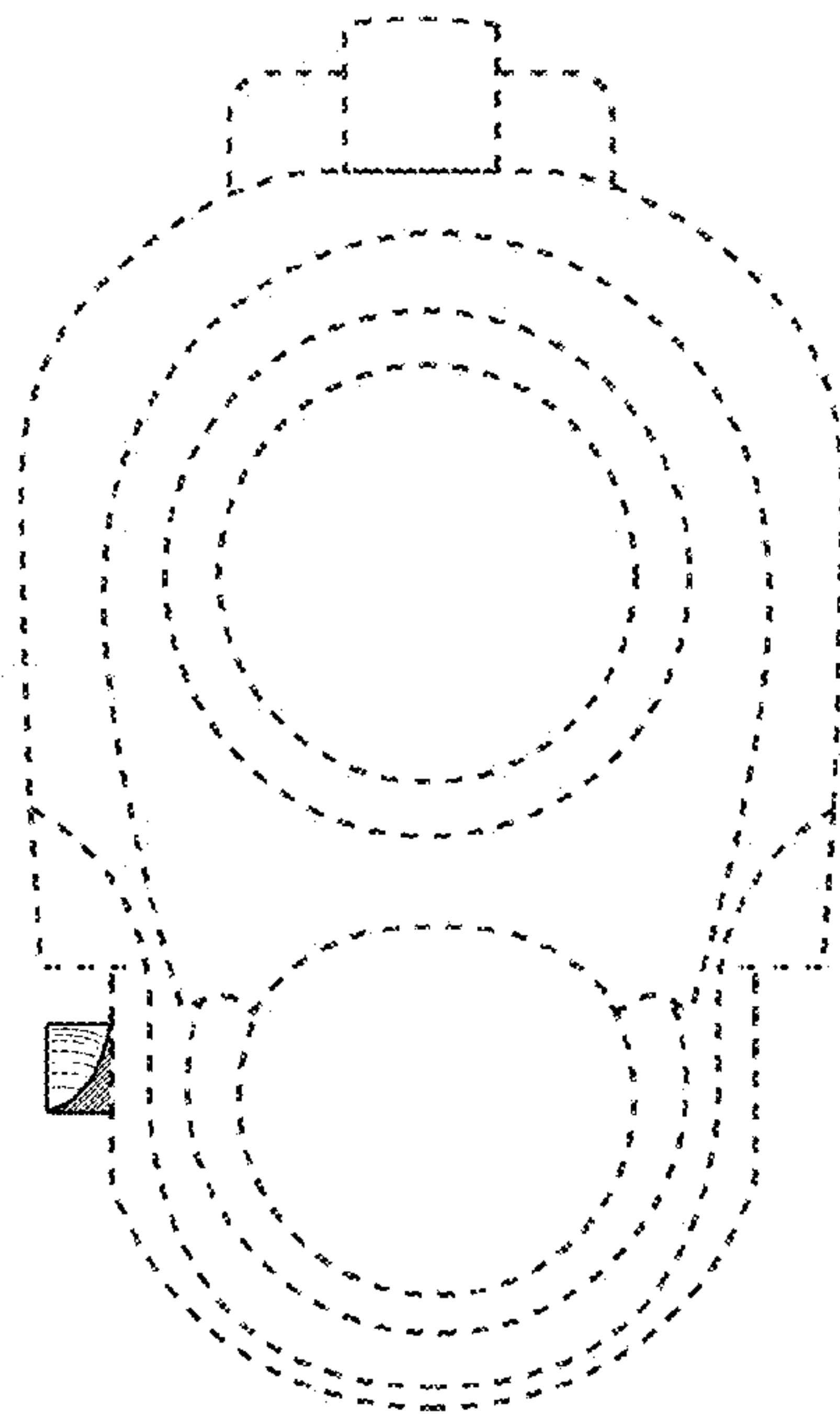


FIG. 14



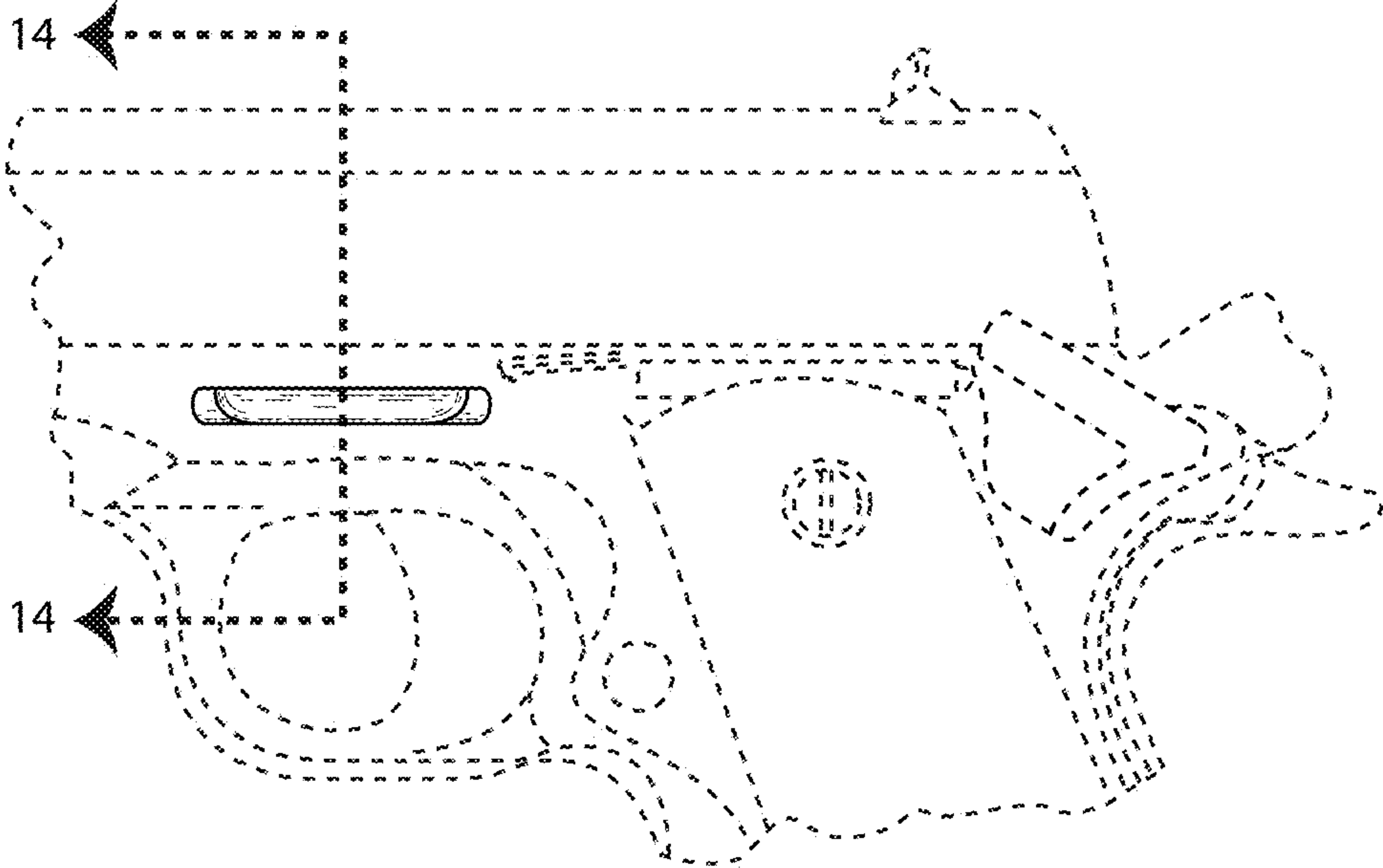


FIG. 8

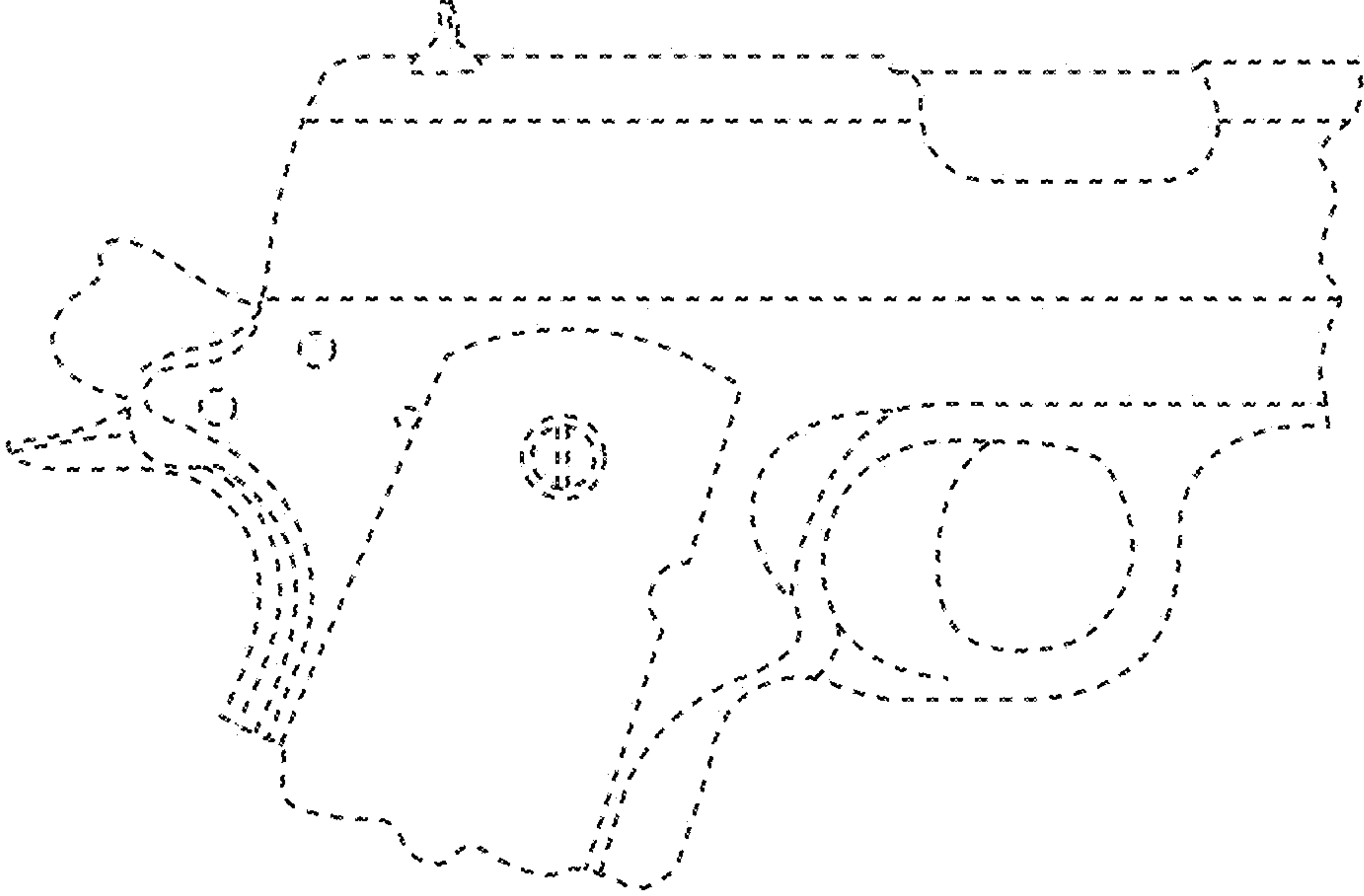


FIG. 9

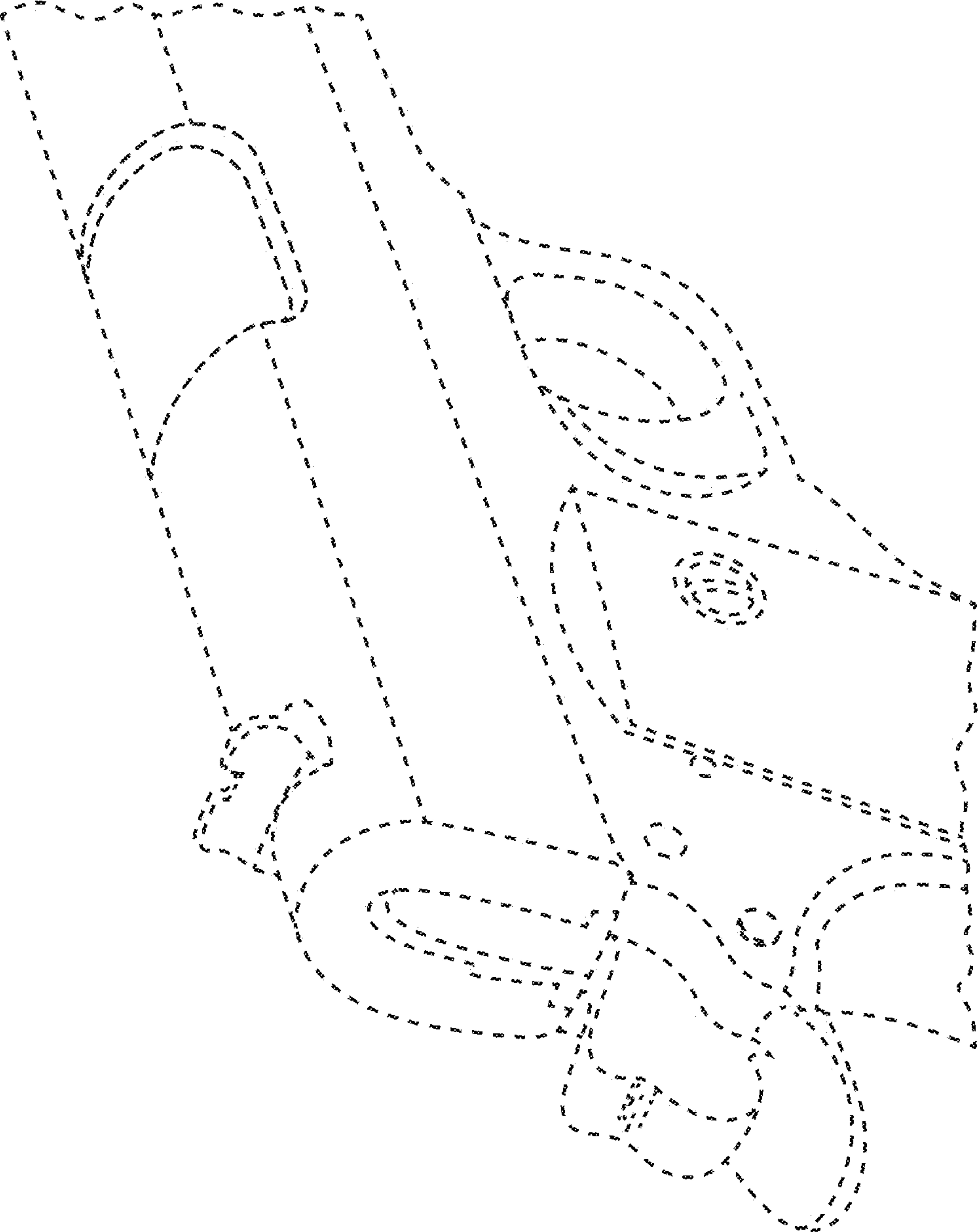


FIG. 10

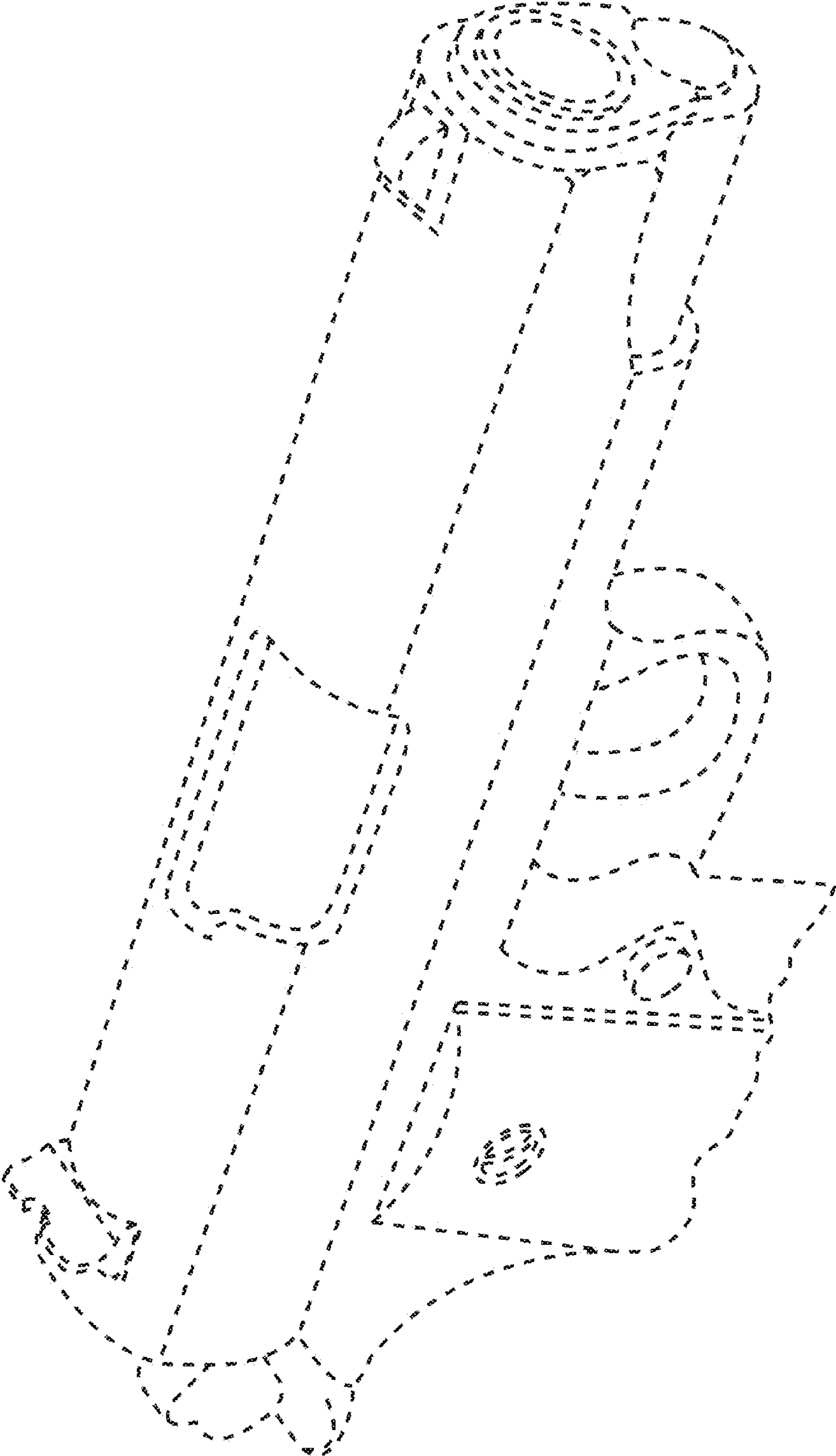


FIG. 11

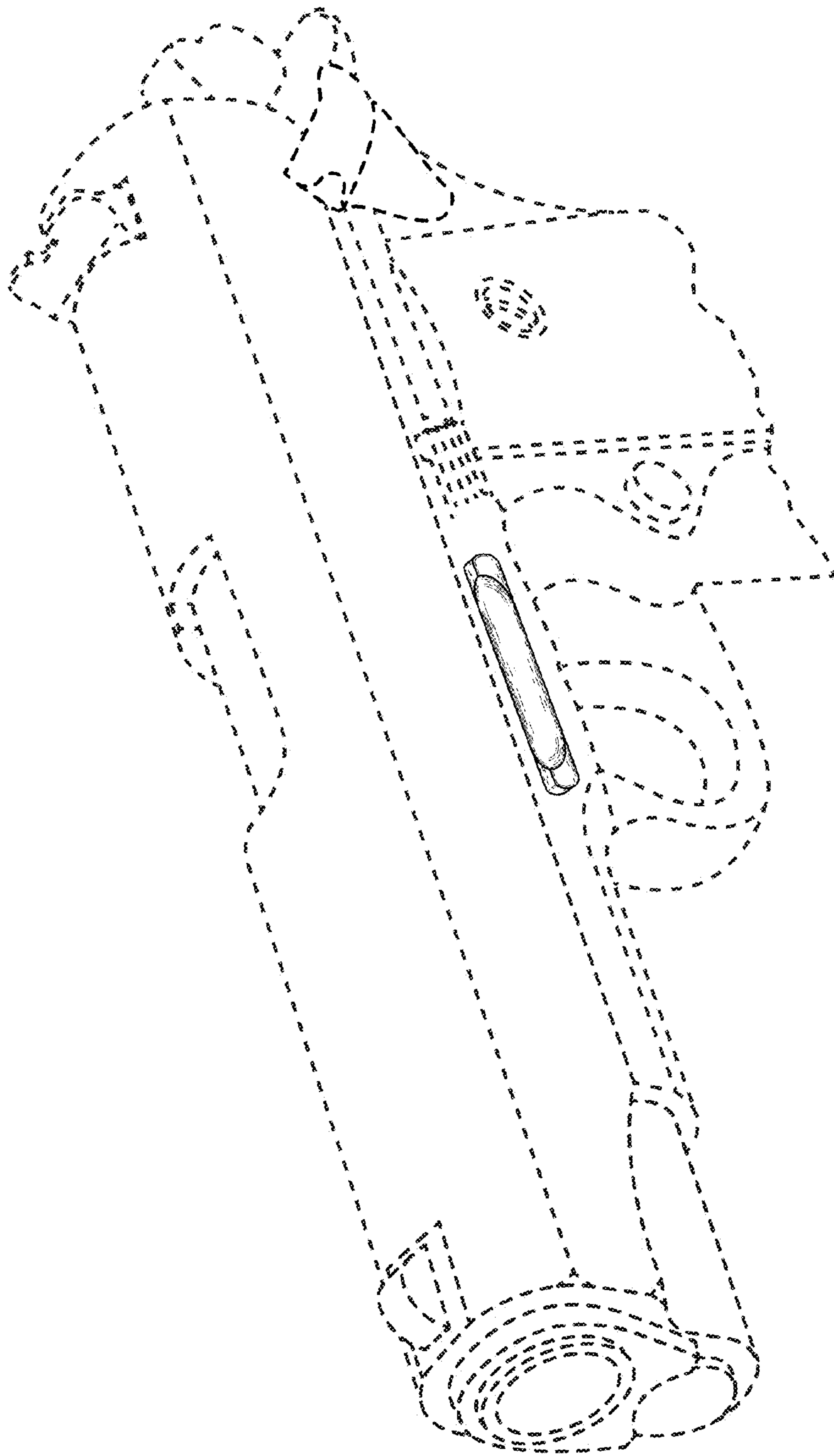


FIG. 12



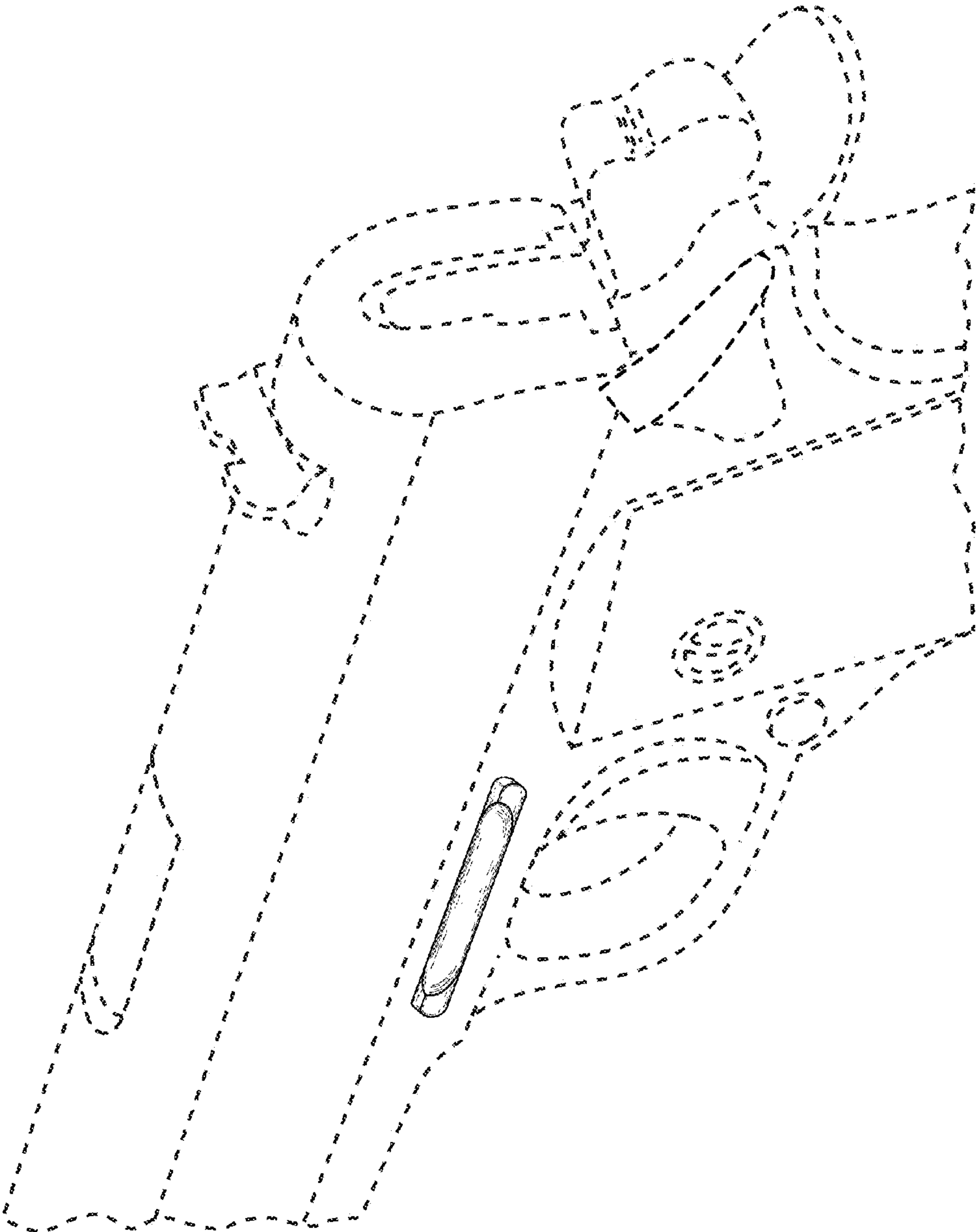


FIG. 13

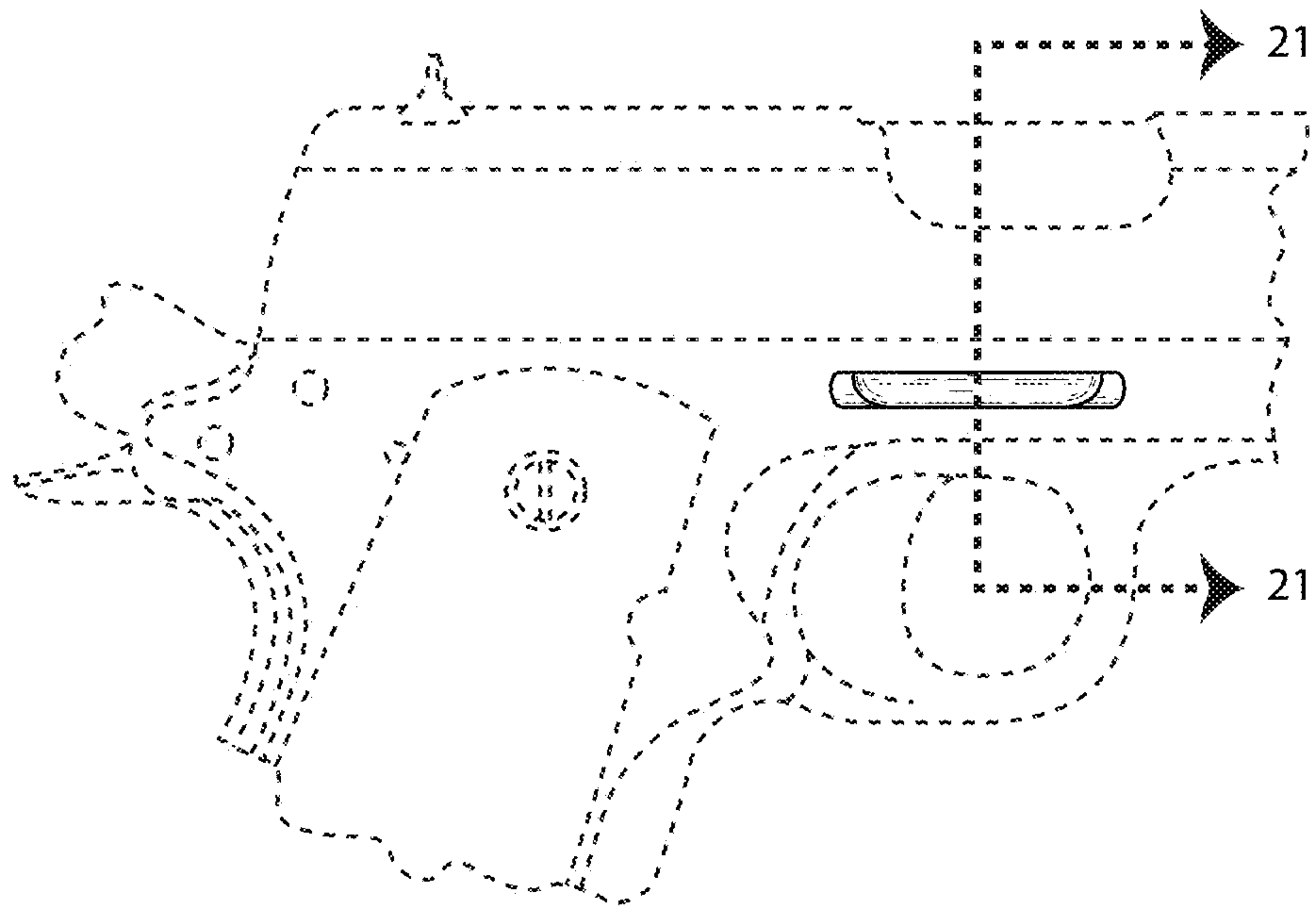


FIG. 15

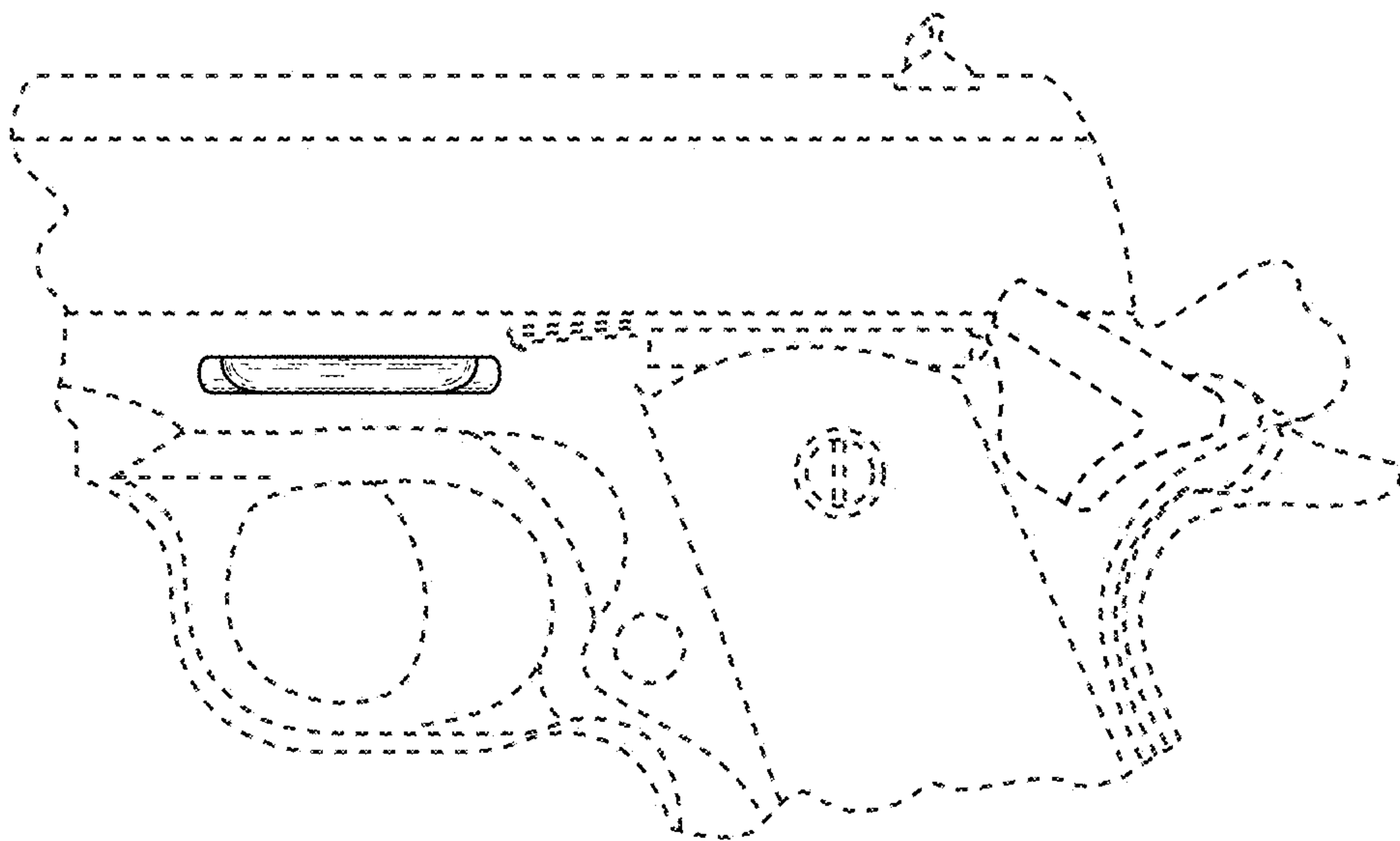


FIG. 16

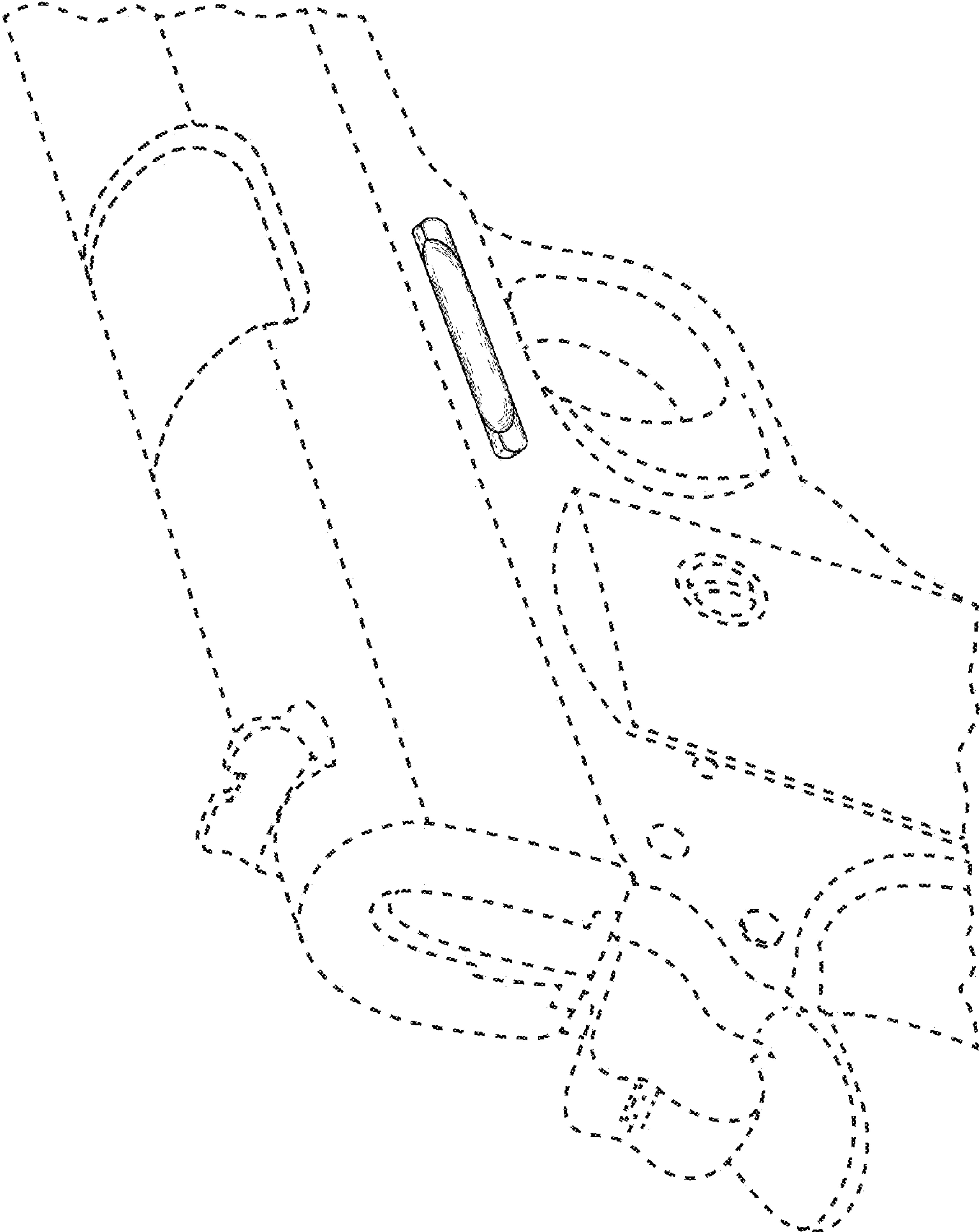


FIG. 17

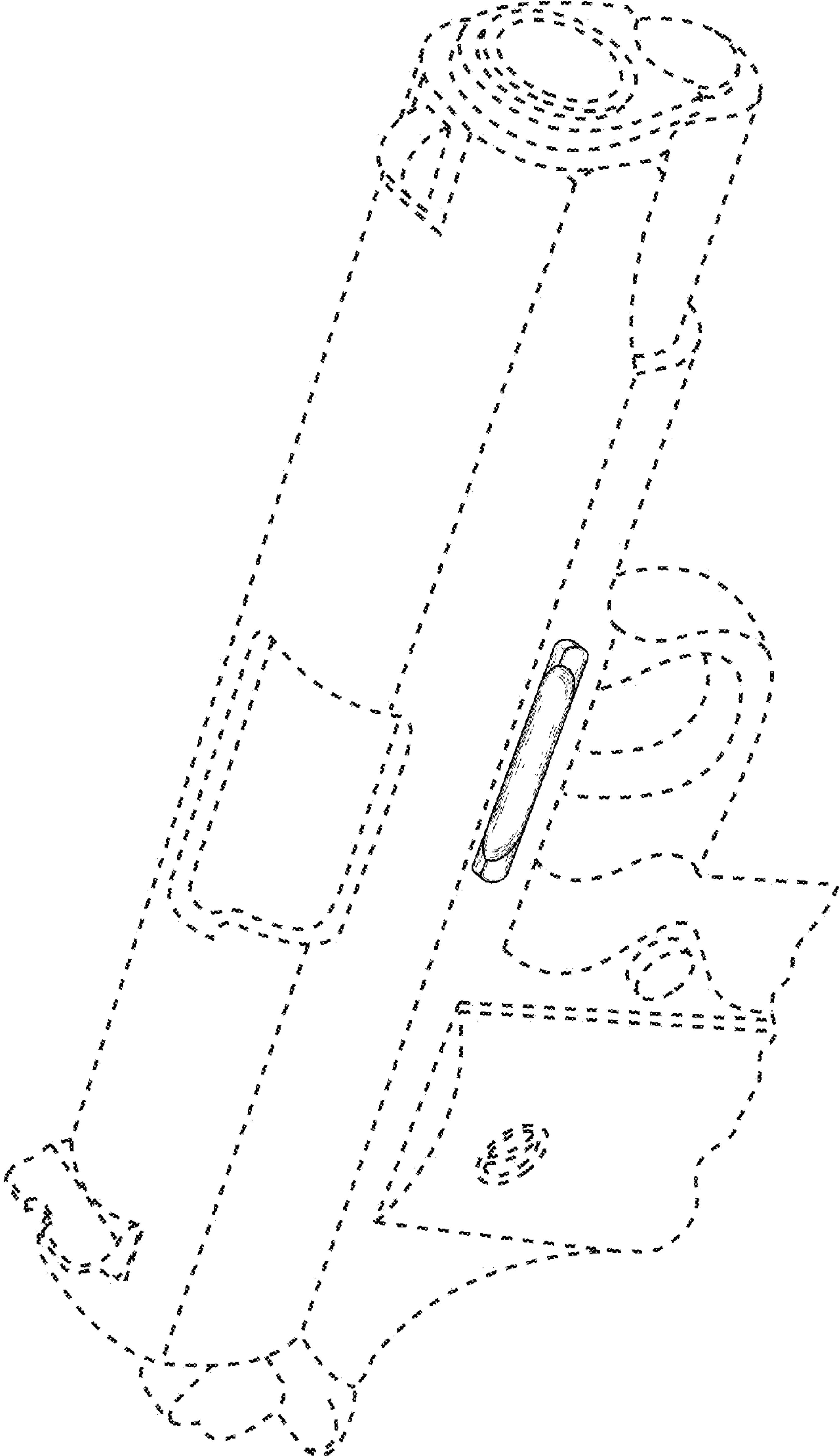


FIG. 18



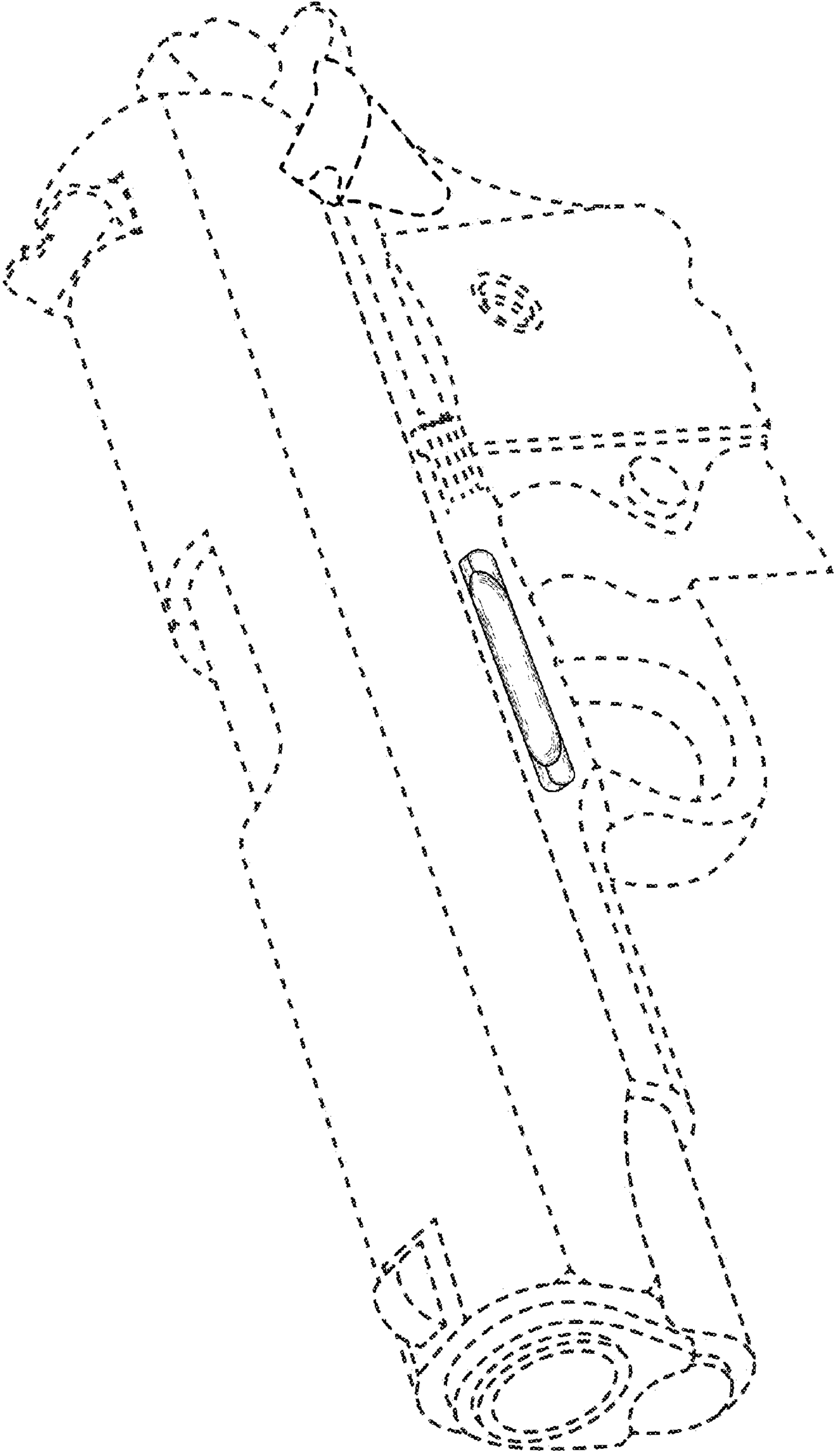


FIG. 19

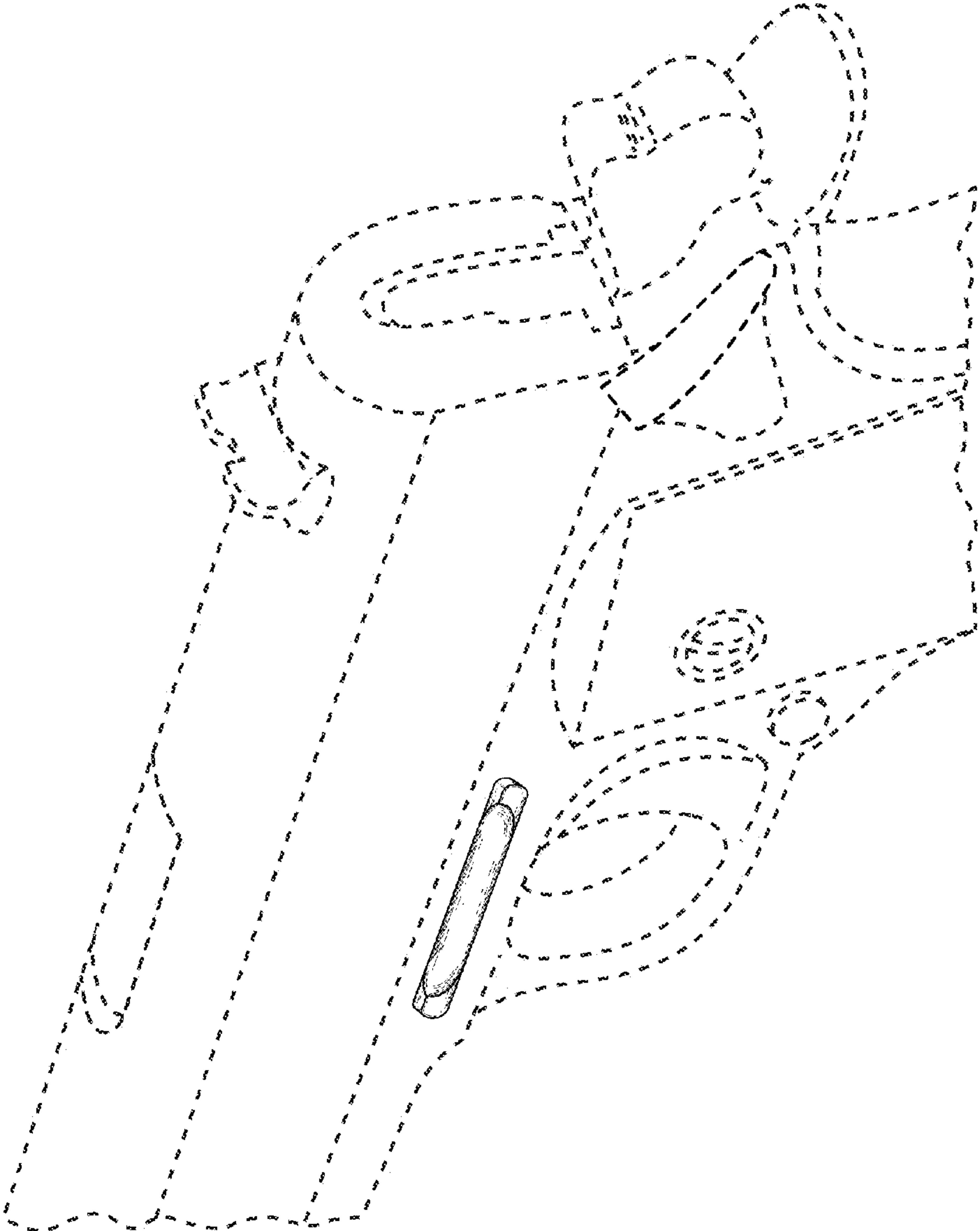


FIG. 20

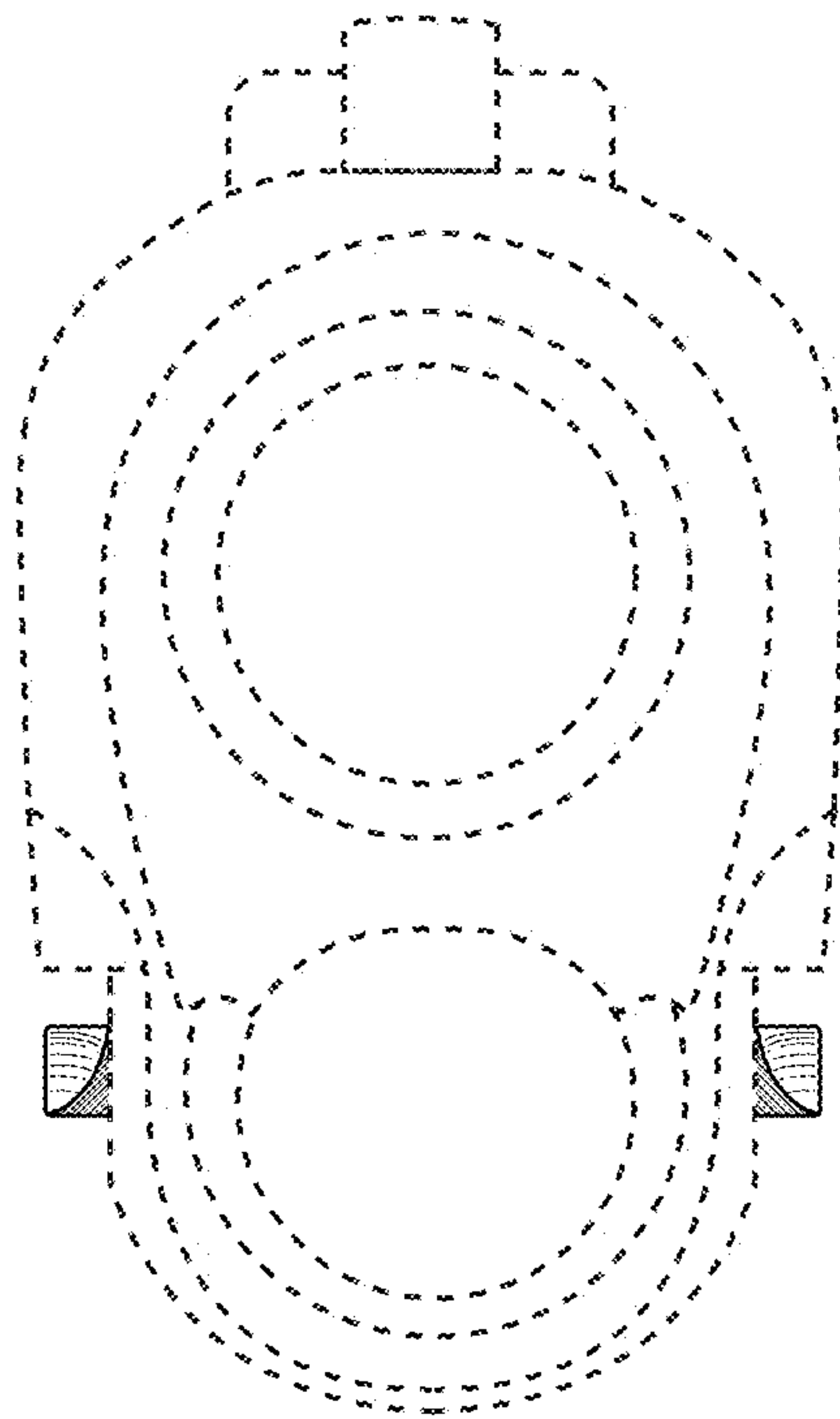


FIG. 21