



US00D755323S

(12) **United States Design Patent**
Eitan et al.

(10) **Patent No.:** **US D755,323 S**

(45) **Date of Patent:** **** May 3, 2016**

(54) **FIREARM STOCK**

(71) Applicant: **Magpul Industries Corporation**, Erie, CO (US)

(72) Inventors: **Yehezkel Eitan**, Johnstown, CO (US); **Richard Fitzpatrick**, West Lake Hills, TX (US); **Michael T. Mayberry**, Denver, CO (US); **William B. Bennett**, Lafayette, CO (US); **Duane Liptak**, Erie, CO (US); **Caylen Wojcik**, Yakima, WA (US)

(73) Assignee: **Magpul Industries Corporation**, Louisville, CO (US)

(**) Term: **14 Years**

(21) Appl. No.: **29/508,882**

(22) Filed: **Nov. 12, 2014**

(51) **LOC (10) Cl.** **22-01**

(52) **U.S. Cl.**
USPC **D22/103**

(58) **Field of Classification Search**

USPC D22/103, 108; D21/572-575

CPC F41C 23/10; F41C 23/14; F41C 23/16;

F41C 23/18; F41C 23/00; F41C 27/00;

F41C 27/06

See application file for complete search history.

(56) **References Cited**

U.S. PATENT DOCUMENTS

922,173 A 5/1909 Lovelace
1,032,628 A 7/1912 Sherman

(Continued)

OTHER PUBLICATIONS

Command Arms Accessories Online Catalog (2008) SRS Product Information.

(Continued)

Primary Examiner — Michael A Pratt

(74) *Attorney, Agent, or Firm* — Swanson & Bratschun, L.L.C.

(57) **CLAIM**

The ornamental design for a firearm stock, as shown and described.

DESCRIPTION

FIG. 1 is a right, rear, top perspective view of a first embodiment of a firearm stock attached to a firearm showing our new design;

FIG. 2 is a left, front, bottom view of the firearm stock of FIG. 1;

FIG. 3 is a left side elevation view of the firearm stock of FIG. 1;

FIG. 4 is a right side elevation view of the firearm stock of FIG. 1;

FIG. 5 is a top plan view of the firearm stock of FIG. 1;

FIG. 6 is a bottom plan view of the firearm stock of FIG. 1;

FIG. 7 is a front elevation view of the firearm stock of FIG. 1;

FIG. 8 is a rear elevation view of the firearm stock of FIG. 1;

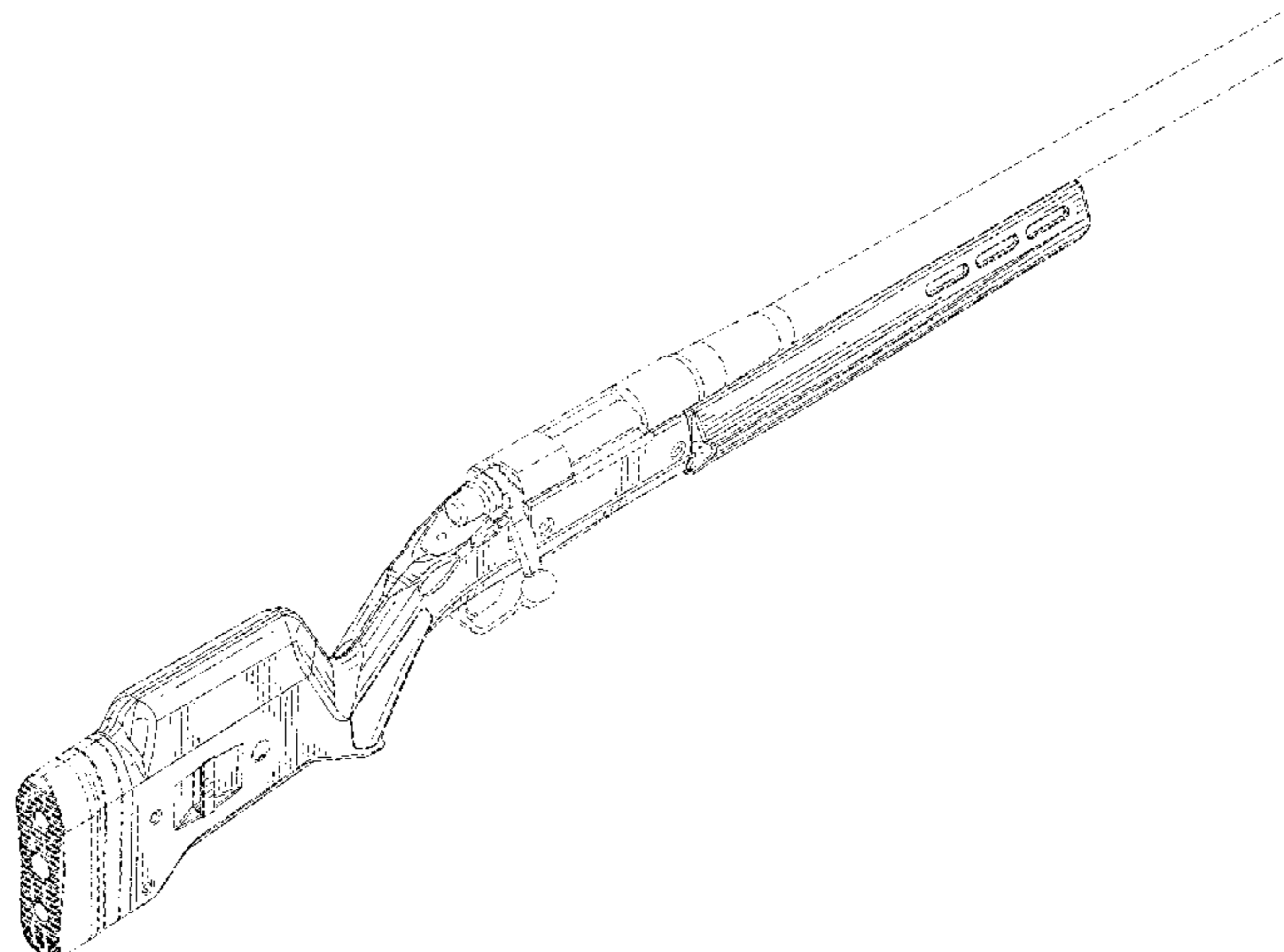
FIG. 9 is a right, rear, top perspective view of the firearm stock of FIG. 1;

FIG. 10 is a right, rear, top perspective view of the firearm stock of FIG. 1 having a high-rise embodiment of a cheek rest shown deployed on the top side of the firearm stock, the top, left, rear perspective view being a mirror image of the high-rise embodiment of a cheek rest and the remainder of the firearm stock being identical to that shown in FIGS. 1-9, the high-rise embodiment of the cheek rest differing from the medium-rise embodiment of the cheek rest illustrated in FIGS. 1-9 only by the height the cheek rest extends above the top side of the firearm stock; and,

FIG. 11 is a right, rear, top perspective view of the firearm stock of FIG. 1 having a low-rise embodiment of a cheek rest shown deployed on the top side of the firearm stock, the top, left, rear perspective view being a mirror image of the low-rise embodiment of a cheek rest and the remainder of the firearm stock being identical to that shown in FIGS. 1-9, the low-rise embodiment of the cheek rest differing from the medium-rise embodiment of the cheek rest illustrated in FIGS. 1-9 only by the height the cheek rest extends above the top side of the firearm stock.

The broken lines showing portions of the design in all figures are included for the purpose of illustrating environment and unclaimed features and form no part of the claimed design.

1 Claim, 7 Drawing Sheets



(56)

References Cited

U.S. PATENT DOCUMENTS

1,651,299 A 11/1927 Stansel
 D180,389 S * 6/1957 Bowman D22/103
 D196,304 S 9/1963 Hoge
 3,618,249 A 11/1971 Grandy
 3,710,496 A 1/1973 Packmayr
 D241,836 S 10/1976 Ruger
 4,120,108 A 10/1978 Vickers
 4,122,623 A 10/1978 Stice
 D253,485 S * 11/1979 Robinson D22/103
 4,203,243 A 5/1980 Hickman
 4,589,219 A 5/1986 Milliman
 4,663,877 A 5/1987 Bragg
 D297,855 S 9/1988 Ruger
 4,788,785 A 12/1988 White
 4,856,410 A * 8/1989 Anderson F41A 3/76
 89/155
 D304,223 S * 10/1989 Ruger D22/103
 4,896,446 A 1/1990 Gregory
 5,031,348 A 7/1991 Carey
 5,075,995 A 12/1991 Kennel
 D324,557 S 3/1992 Livingston
 5,933,997 A 8/1999 Barrett
 6,301,817 B1 * 10/2001 Hogue F41C 23/18
 42/71.01
 D462,104 S 8/2002 McCarthy
 6,637,141 B1 10/2003 Weatherby
 D516,660 S 3/2006 Murello
 D517,637 S 3/2006 Murello
 7,162,823 B2 1/2007 Schoppman
 D551,313 S 9/2007 Saur
 D589,578 S 3/2009 Choma
 D603,013 S 10/2009 Fitzpatrick
 D606,614 S 12/2009 Fitzpatrick
 7,647,719 B2 1/2010 Fitzpatrick
 7,665,240 B1 * 2/2010 Bentley F41A 11/02
 42/71.01
 7,716,864 B2 * 5/2010 Skrubis F41A 3/66
 42/71.01
 7,827,722 B1 11/2010 Davies
 D631,526 S * 1/2011 Torre D22/108
 D636,833 S 4/2011 Mayberry
 D636,834 S 4/2011 Mayberry
 D639,891 S 6/2011 Chvala
 D640,342 S 6/2011 Fitzpatrick
 D645,110 S 9/2011 Cook
 D645,533 S 9/2011 Peterson
 D648,412 S 11/2011 Cook
 D661,366 S 6/2012 Zusman
 D661,768 S 6/2012 Keng
 D668,311 S 10/2012 Rogers
 D676,921 S 2/2013 Fitzpatrick
 D679,356 S * 4/2013 Klotz D22/103
 D680,611 S 4/2013 Emde
 D683,808 S 6/2013 Elkaim
 D688,768 S 8/2013 Fitzpatrick
 D691,234 S 10/2013 Fitzpatrick
 D692,087 S 10/2013 Fitzpatrick

D695,377 S 12/2013 Mayberry
 D700,265 S 2/2014 Mayberry et al.
 8,656,622 B2 2/2014 Peterson
 D704,294 S 5/2014 Jarboe
 8,720,099 B1 5/2014 Sisk
 8,844,185 B2 9/2014 Jarboe
 D722,671 S 2/2015 Mayberry
 2005/0235545 A1 * 10/2005 Roller F41A 21/485
 42/75.1
 2007/0289191 A1 * 12/2007 Cowan F41C 23/02
 42/90
 2008/0028662 A1 2/2008 Abraham
 2008/0236016 A1 10/2008 Fitzpatrick
 2008/0236017 A1 10/2008 Fitzpatrick
 2010/0115817 A1 5/2010 Faifer
 2010/0205846 A1 8/2010 Fitzpatrick
 2011/0173863 A1 7/2011 Ingram
 2011/0192067 A1 8/2011 Troy
 2012/0073177 A1 3/2012 Laney
 2012/0174455 A1 7/2012 Edelman
 2012/0174456 A1 7/2012 Depierro
 2012/0174457 A1 7/2012 Edelman
 2012/0304520 A1 * 12/2012 Battaglia F41A 3/64
 42/75.03

OTHER PUBLICATIONS

Defensive_Edge_Sully_Stock Defensive Edge Training and Consulting, Inc. Online Catalog (2010) "Sully Stock" Available Website: http://www.thedefensiveedge.com/category_s/51.htm; Last Update: Unknown.
 Evike_2014_IC_S_Triangle_Side_Folding_Stock Evike.com (Aug. 26, 2014) ICS Triangle Side Folding Stock for ICS SIG 552 / 551 Series Airsoft AEG; Website [Online] Available Website: <http://www.evike.com/products/32906/>; Last Update: Unknown; Accessed on: Mar. 6, 2015.
 Heckler & Koch Online Catalog (2008) PSG1A1 Product Information.
 IMGUR_rHgvs6yl Imgur Photo; Website [Online] Available Website: <http://i.imgur.com/rHgvs6yl.jpg>; Last Update: Unknown; Accessed on: Mar. 6, 2015.
 Magpul Online Catalog (2007) FAL Preproduction Product Information.
 Magpul Online Catalog (2007) PRS Ar15/M16 Product Information.
 Total_Silence_Home_of_the_XM607_Buttstock TSI Online Catalog (2011) "Total Silence—Home of the XM607 Buttstock" Available Website: <http://totalsilenceinc.com/>; Last Update: Unknown.
 Design U.S. Appl. No. 29/399,326, filed Aug. 12, 2011, "ACS Rifle Stock" by Fitzpatrick.
 Design U.S. Appl. No. 29/486,193, "Firearm Stock" filed Mar. 27, 2014.
 Design U.S. Appl. No. 29/486,201, "Stock Butt Pad" filed Mar. 27, 2014.
 Design U.S. Appl. No. 29/512,719, "Fixed Stock for a Firearm" filed Dec. 22, 2014.

* cited by examiner

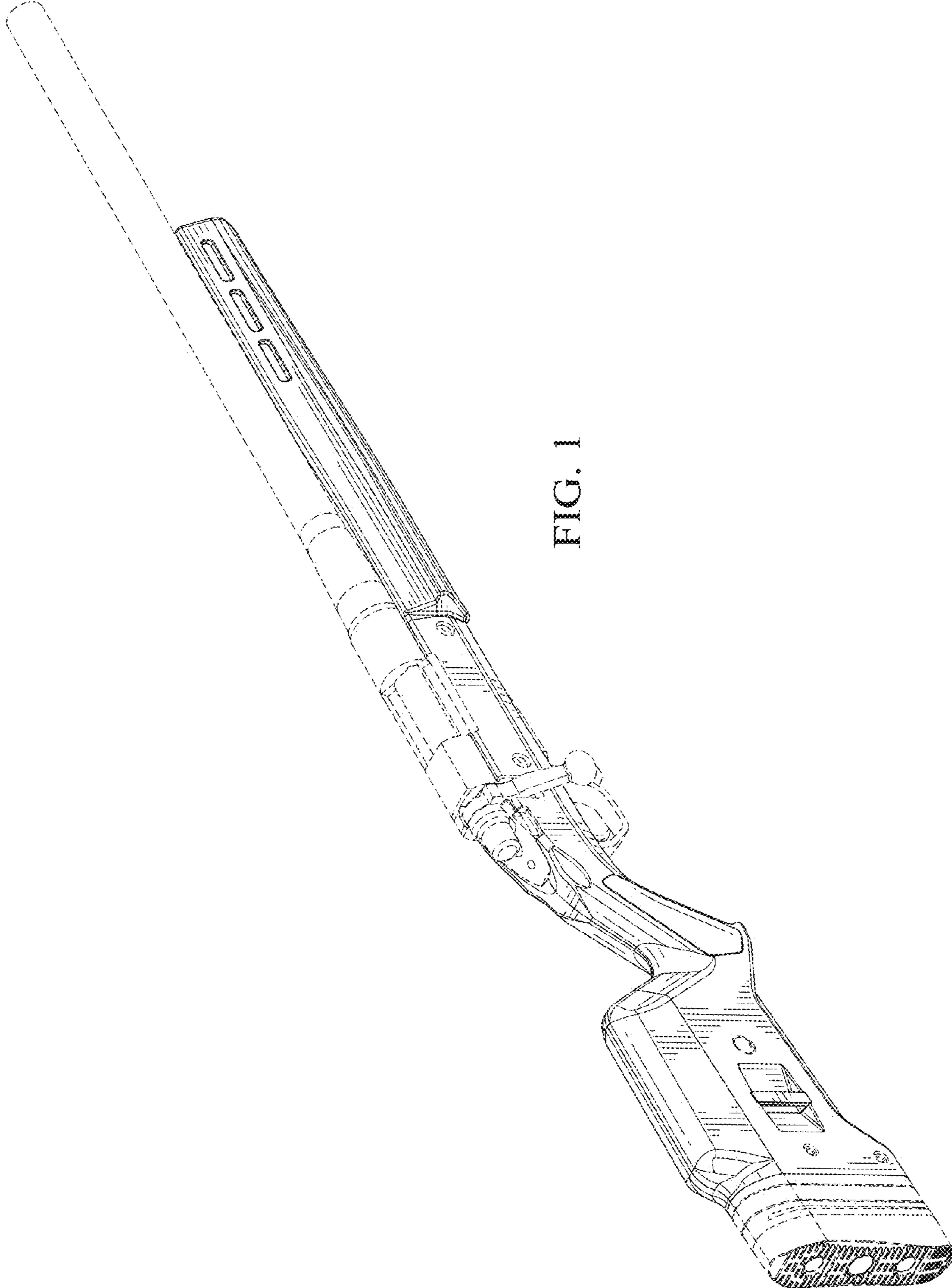


FIG. 1

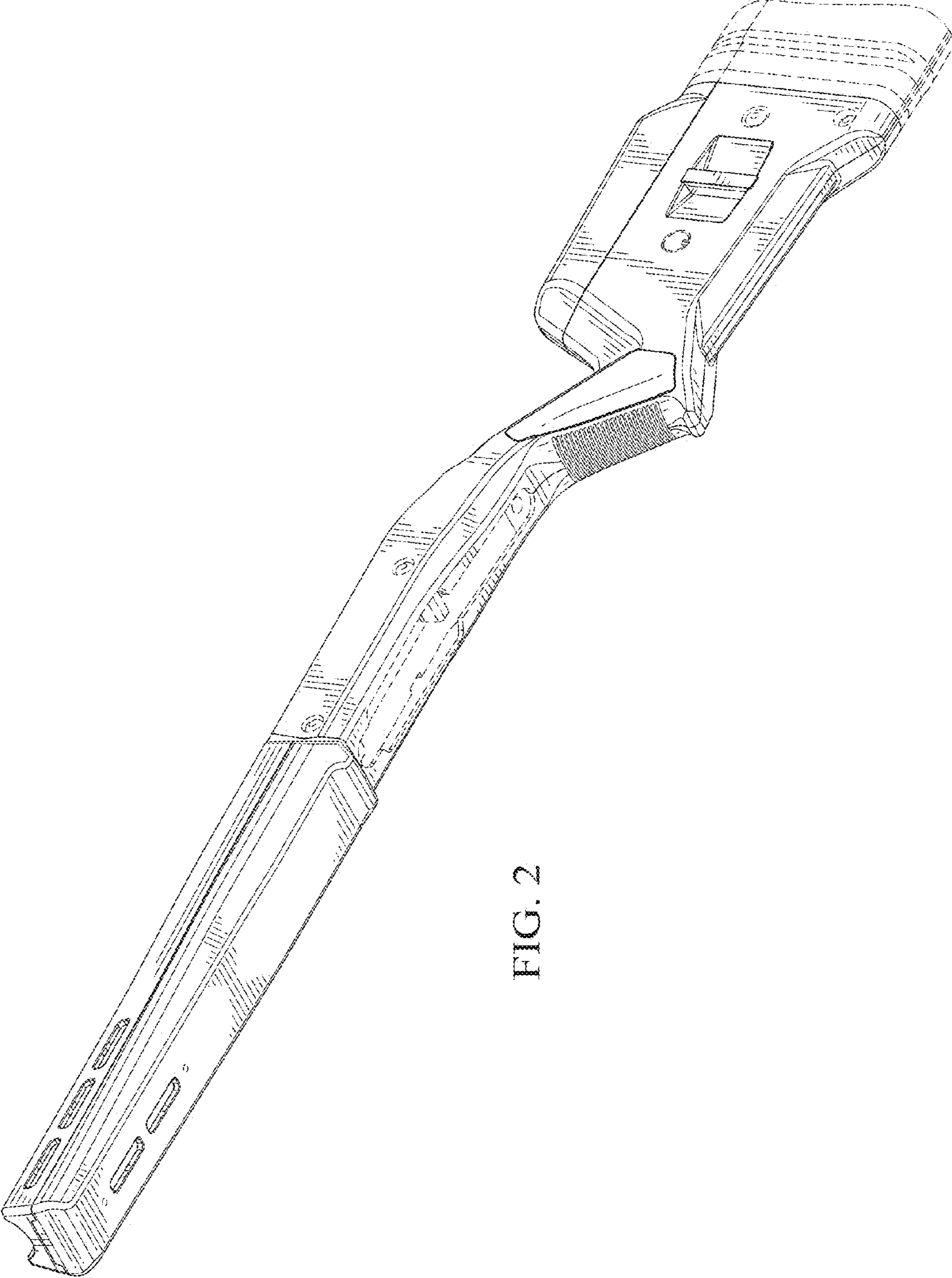


FIG. 2

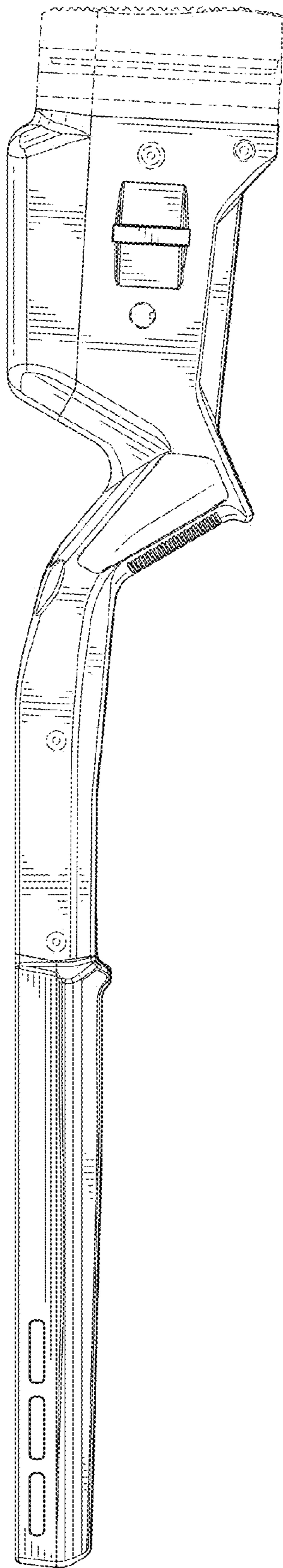


FIG. 3

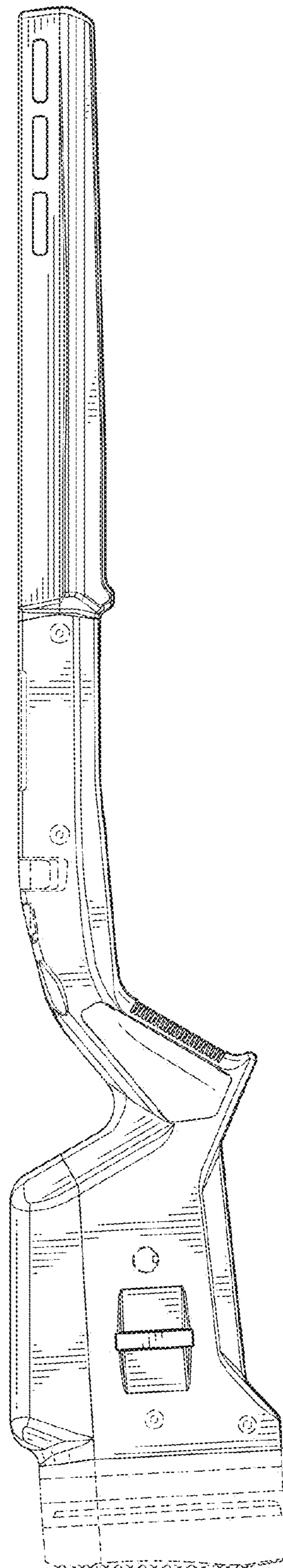


FIG. 4

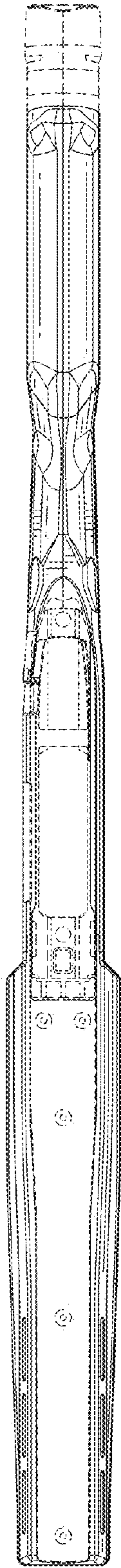


FIG. 5

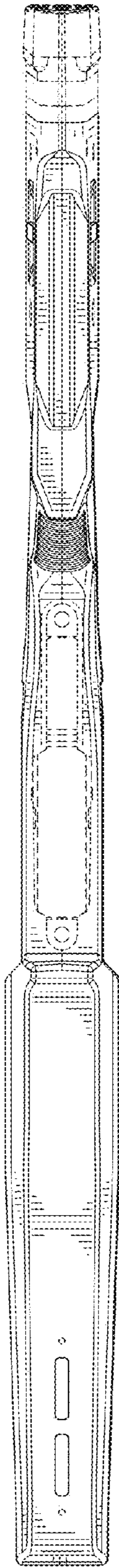


FIG. 6

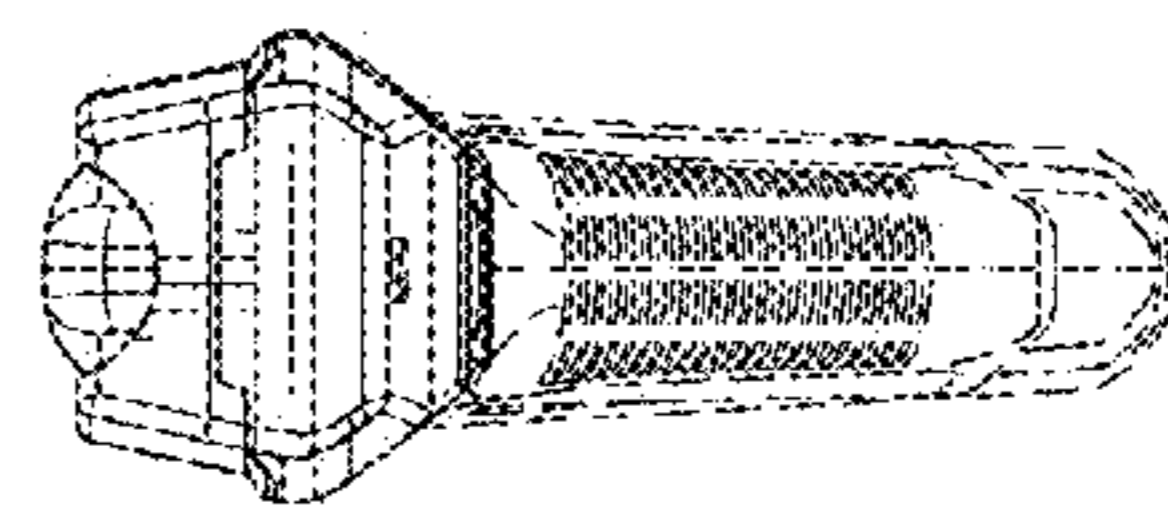


FIG. 7

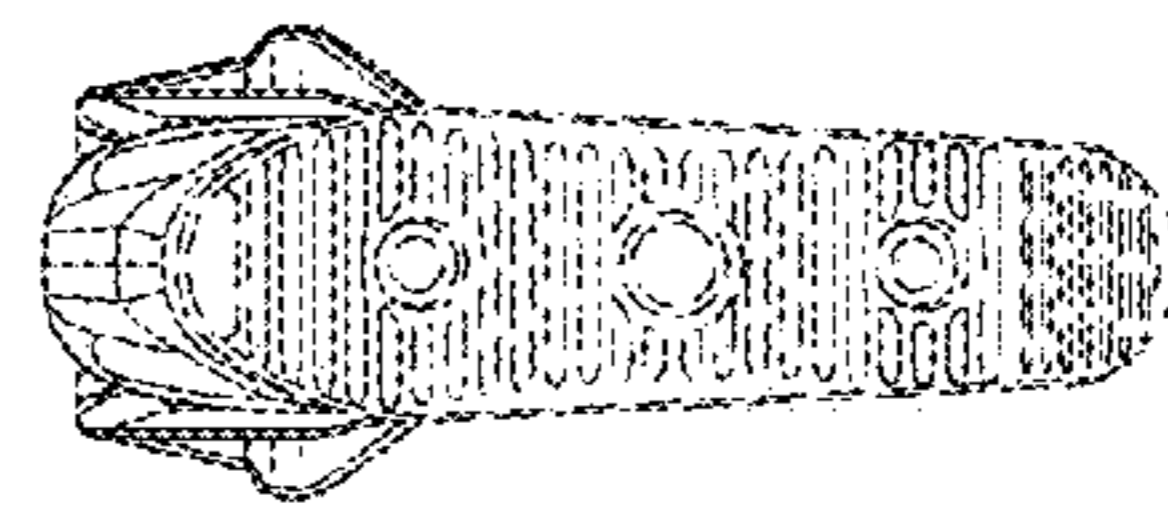


FIG. 8

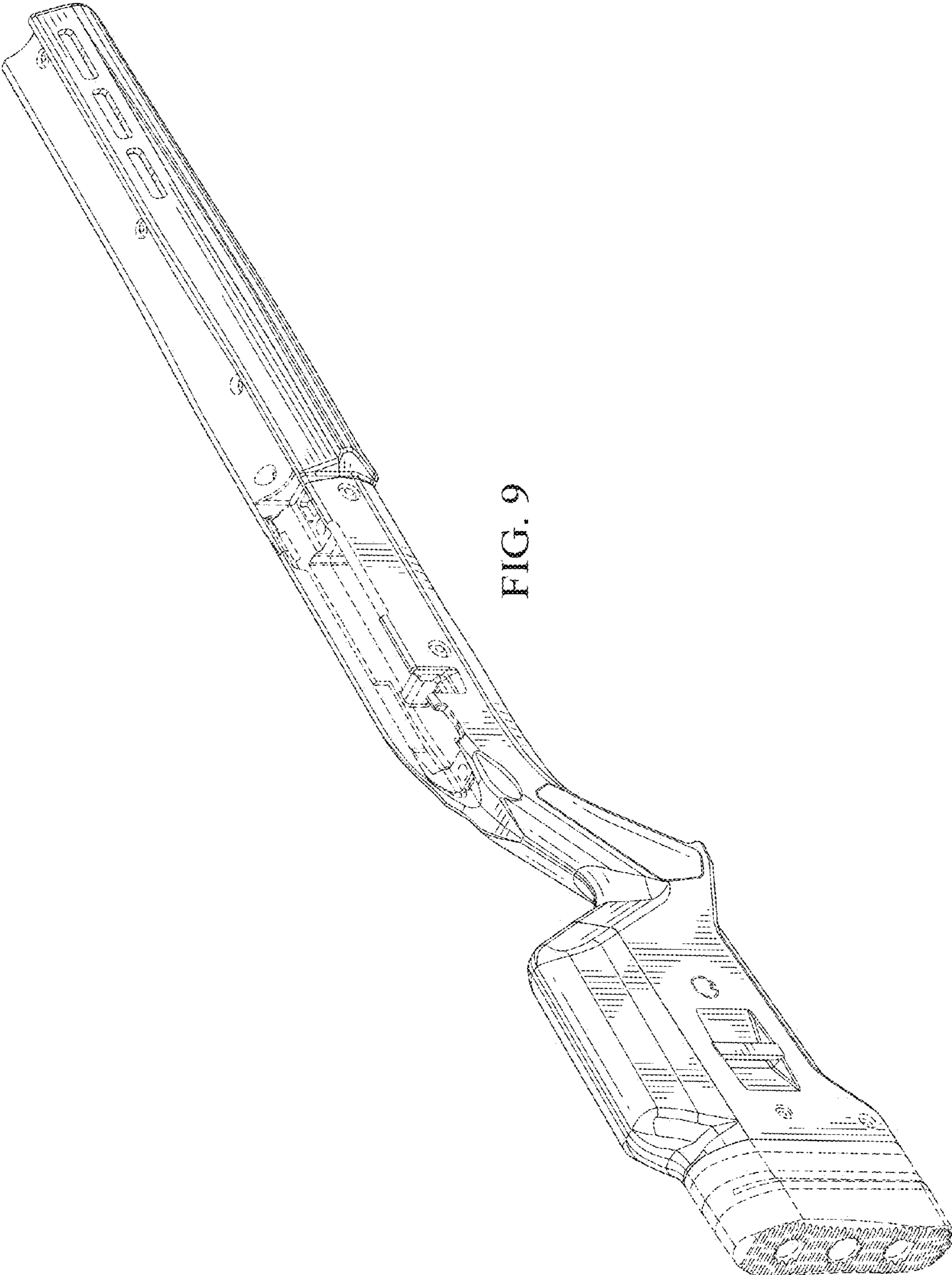


FIG. 9

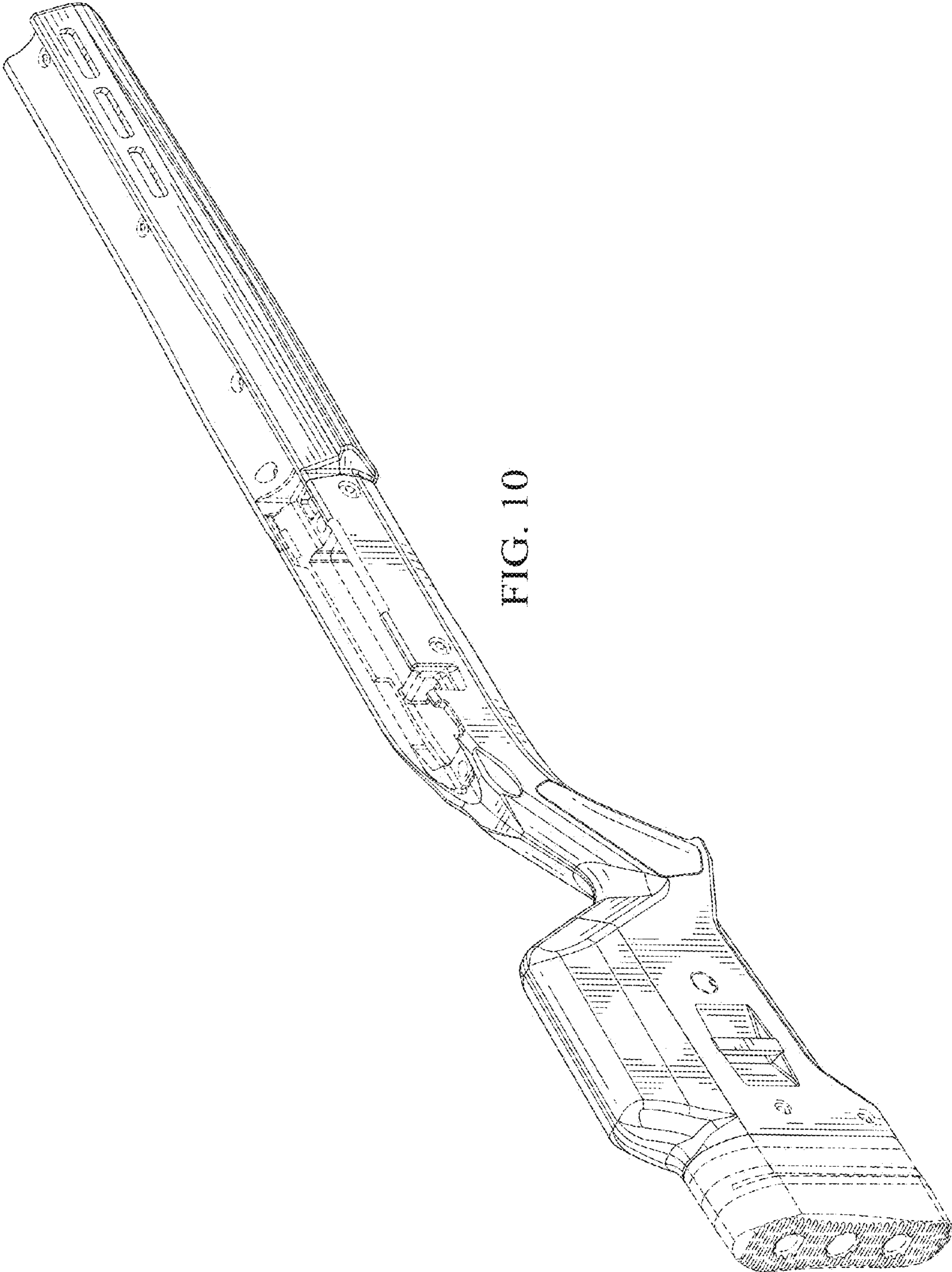


FIG. 10

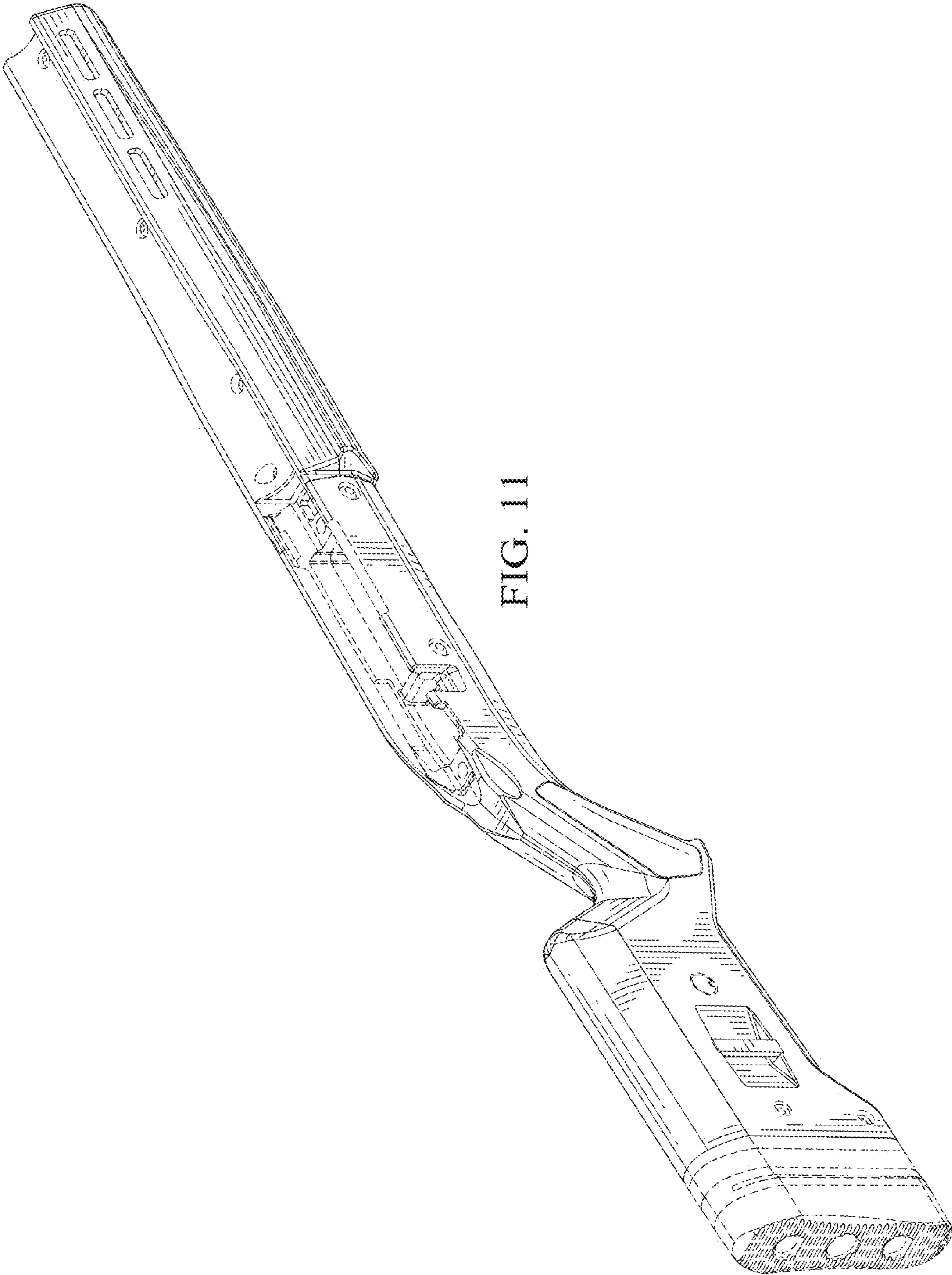


FIG. 11