

US00D755321S

(12) **United States Design Patent**
Levesque

(10) **Patent No.:** **US D755,321 S**

(45) **Date of Patent:** **** May 3, 2016**

- (54) **PAIR OF STINGRAY SWIM FINS**
- (71) Applicant: **Joseph Dennis Levesque**, Murrrieta, CA (US)
- (72) Inventor: **Joseph Dennis Levesque**, Murrrieta, CA (US)
- (**) Term: **14 Years**
- (21) Appl. No.: **29/463,751**
- (22) Filed: **Jun. 5, 2014**
- (51) **LOC (10) Cl.** **21-06**
- (52) **U.S. Cl.**
USPC **D21/806**
- (58) **Field of Classification Search**
USPC D21/801, 803, 804, 806, 807; 441/55, 441/56, 58, 60, 61
CPC A63B 31/10; A63B 31/11
See application file for complete search history.

- D286,668 S * 11/1986 Berenson D21/806
- 4,752,259 A * 6/1988 Tackett et al. 441/64
- D302,999 S * 8/1989 McCredie D21/806
- D313,640 S * 1/1991 Fujiwara D21/806
- D328,325 S * 7/1992 Mitchell D21/806
- D349,552 S * 8/1994 Fleming D21/806
- D363,105 S * 10/1995 Parr D21/806

* cited by examiner

Primary Examiner — Zenia Bennett

(74) *Attorney, Agent, or Firm* — Joel C. Solbach

(57) **CLAIM**

The ornamental design for a pair of stingray swim fins, as shown and described.

DESCRIPTION

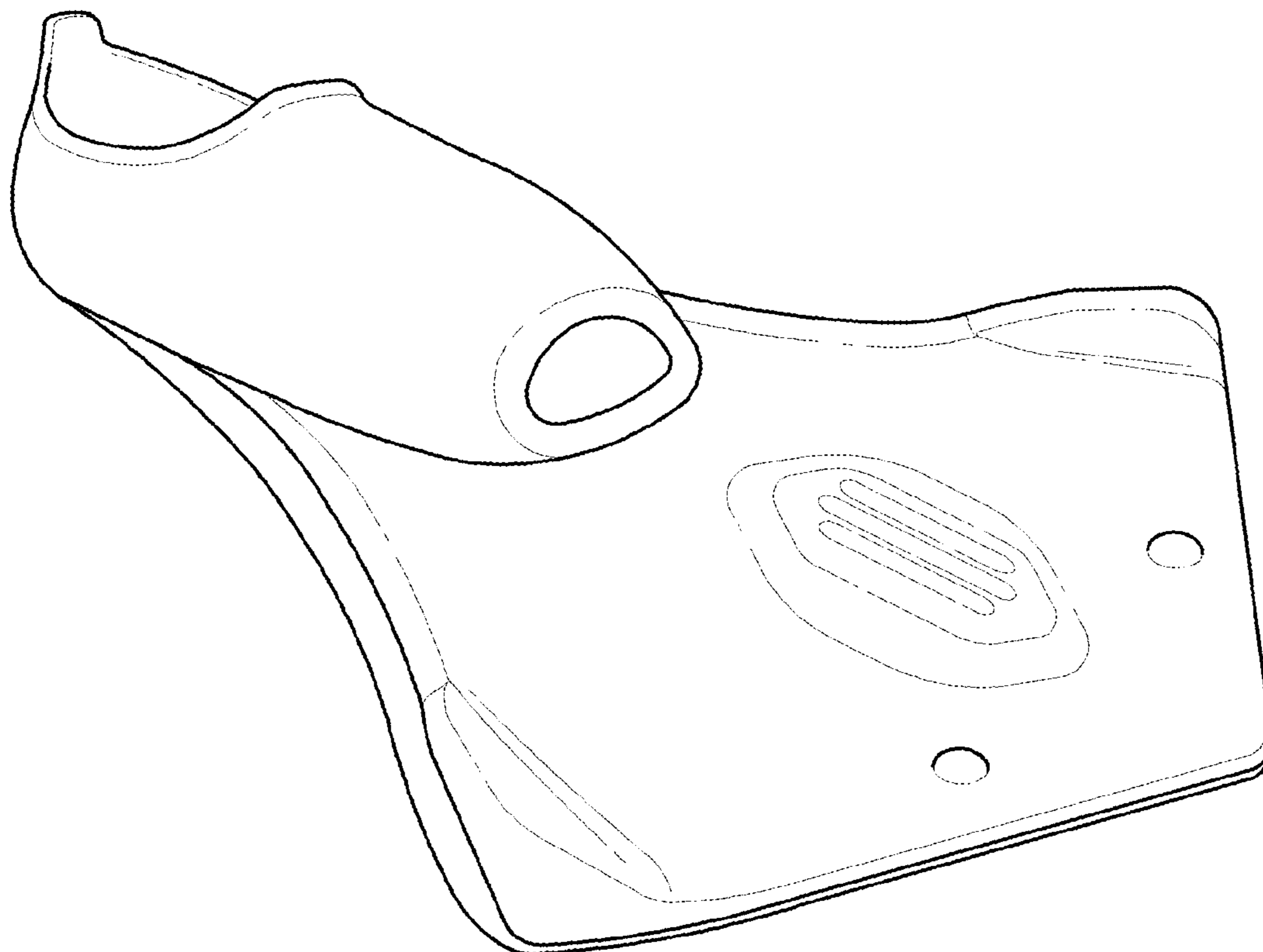
FIG. 1 is a perspective view showing my new design;
 FIG. 2 is a front view thereof;
 FIG. 3 is a rear view thereof;
 FIG. 4 is a right side view thereof;
 FIG. 5 is a left side view thereof;
 FIG. 6 is a top view thereof;
 FIG. 7 is a sectional view taken along the 7-7 line in FIG. 6;
 and,
 FIG. 8 is a bottom view thereof.

1 Claim, 5 Drawing Sheets

(56) **References Cited**

U.S. PATENT DOCUMENTS

- D266,265 S * 9/1982 Bowden D21/806
- D277,595 S * 2/1985 Simpson D21/806



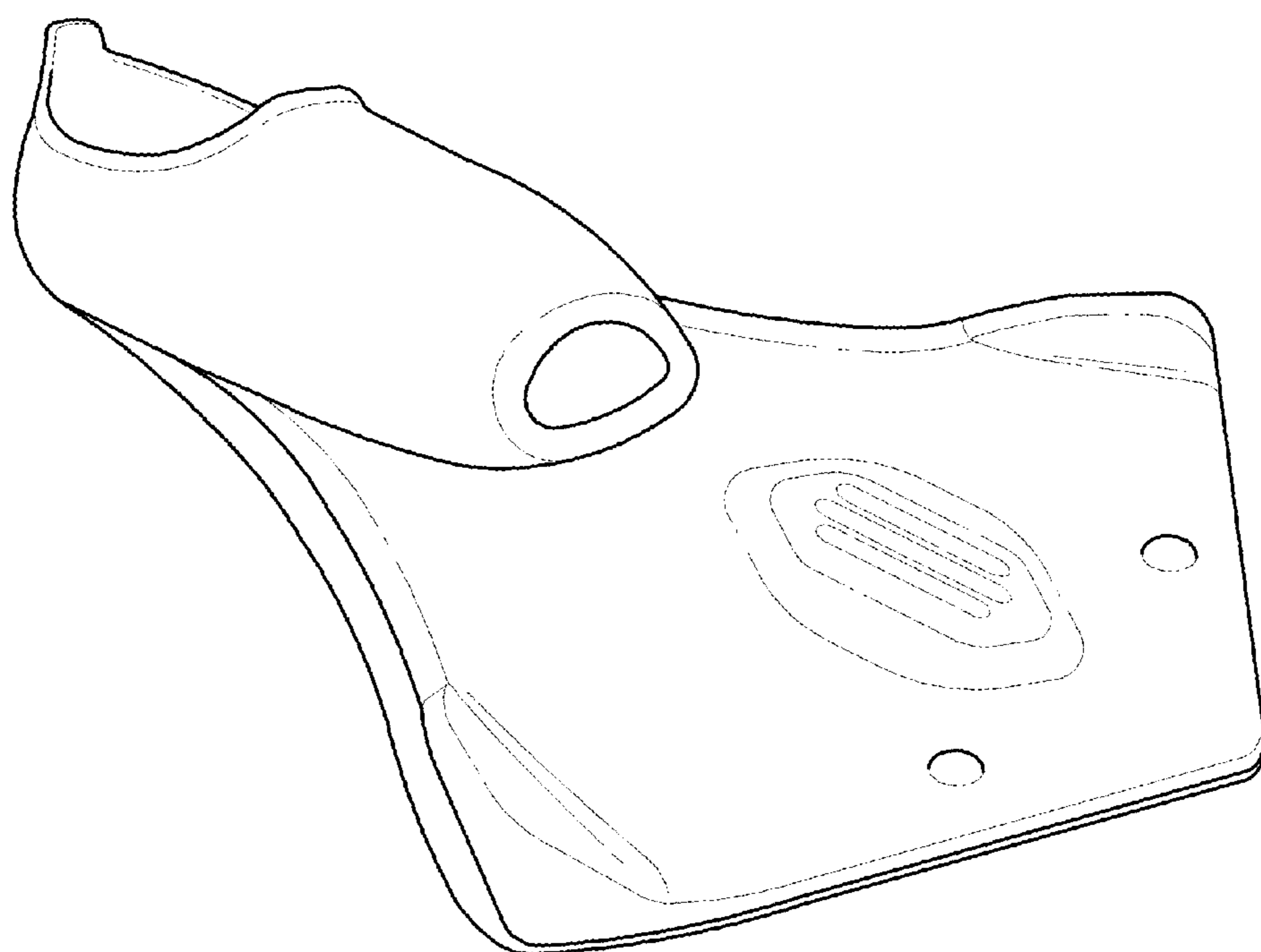


FIG. 1

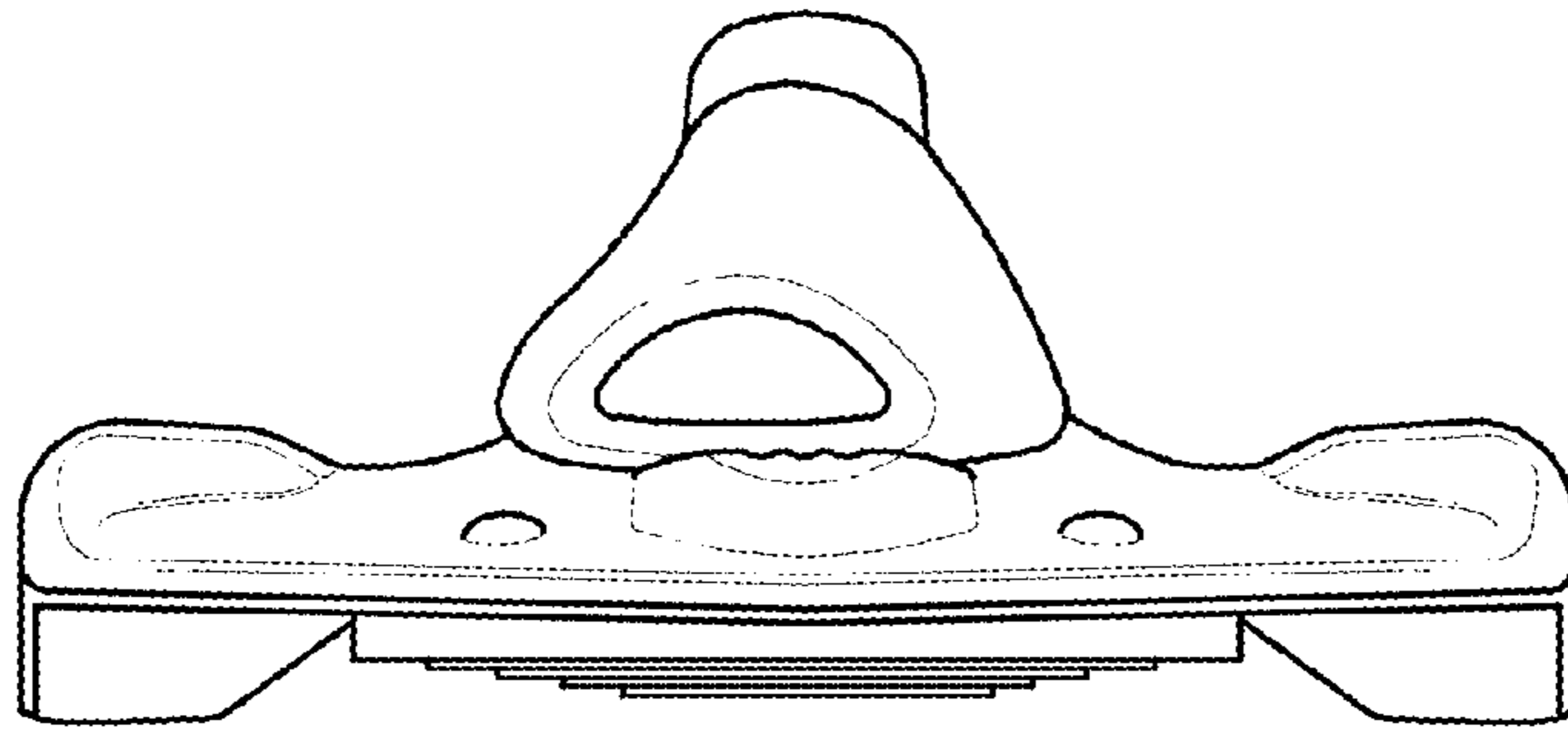


FIG. 2

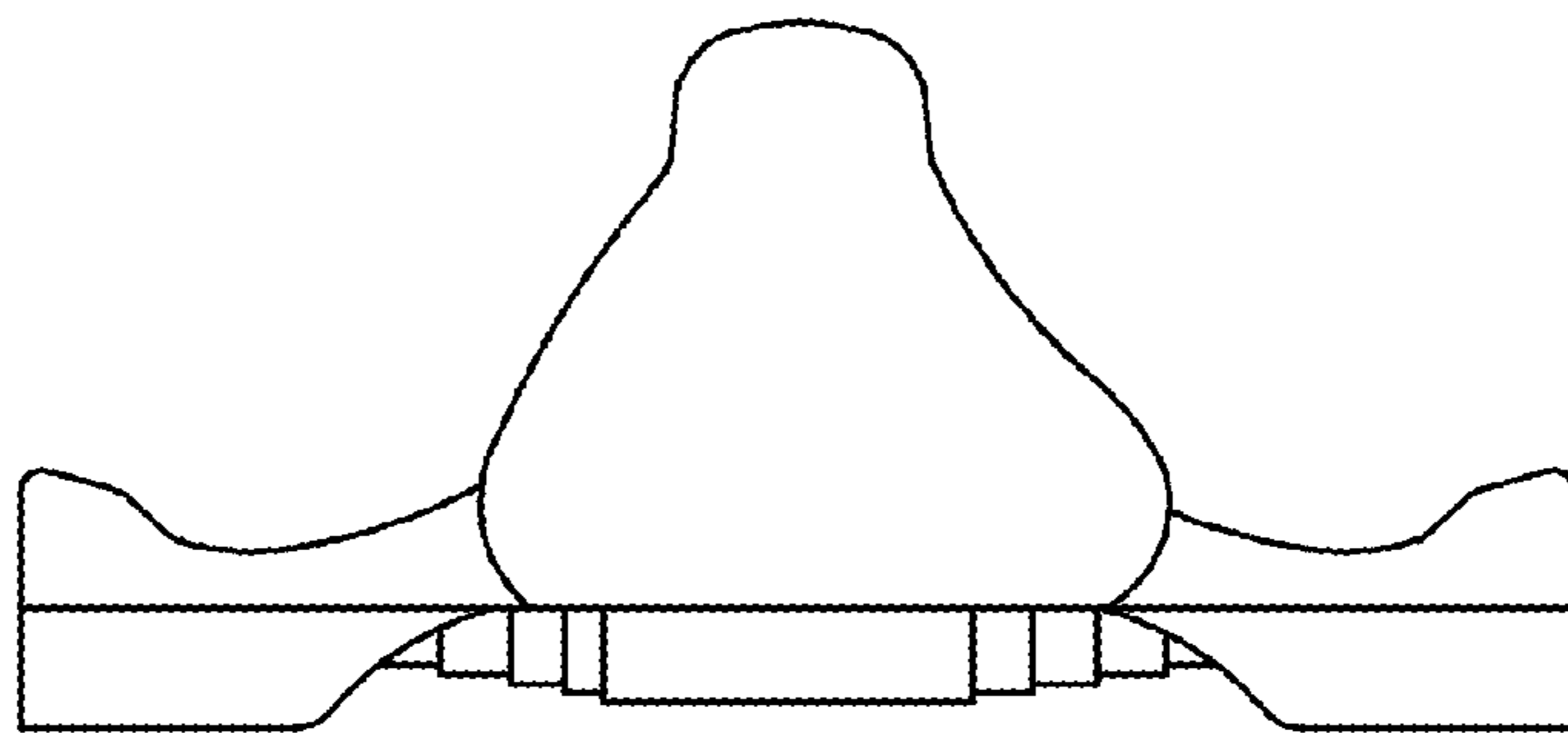


FIG. 3

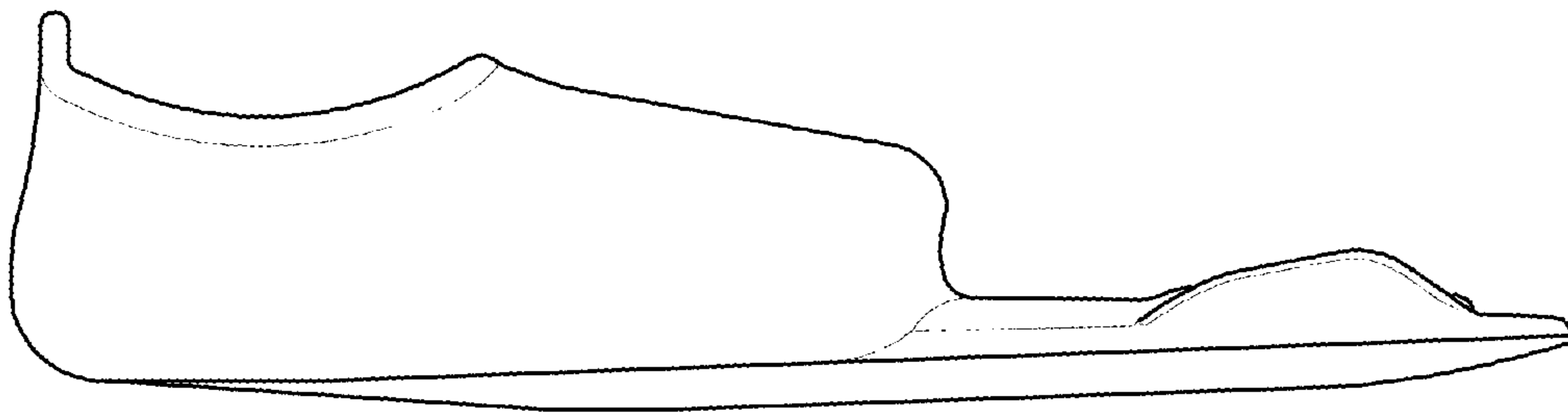


FIG. 4

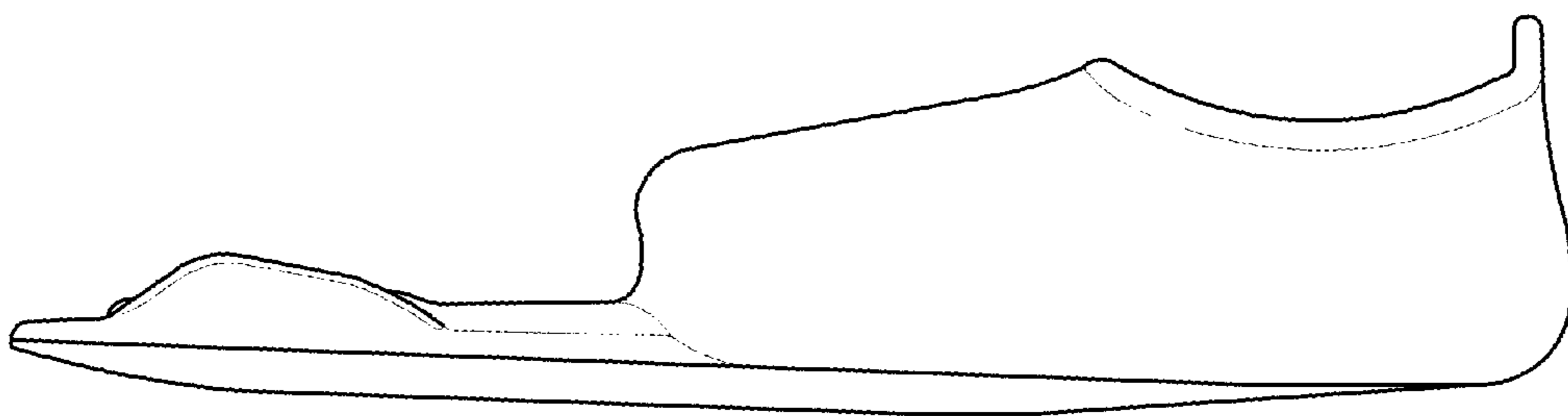


FIG. 5

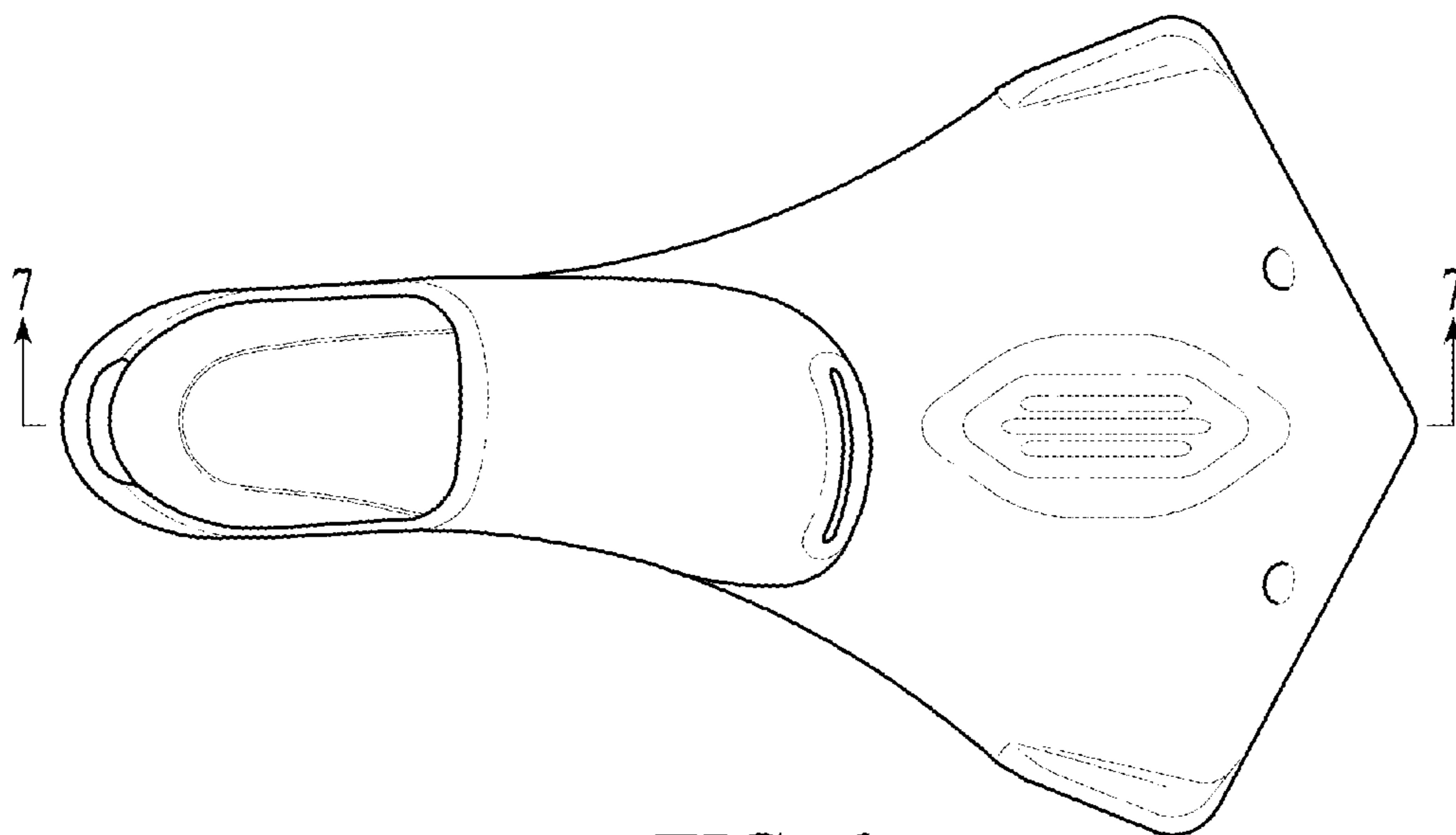


FIG. 6

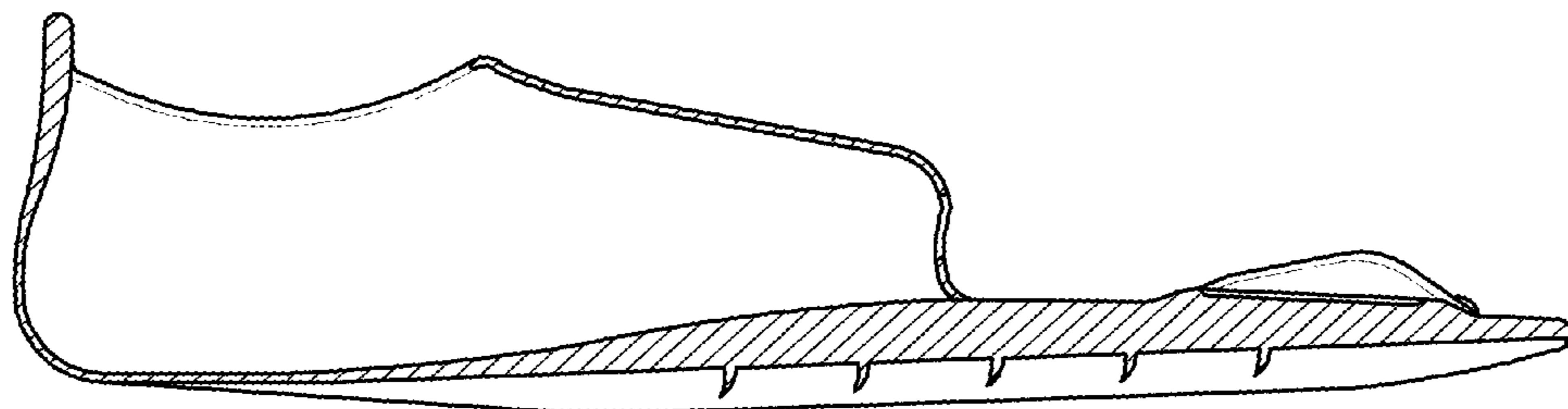


FIG. 7

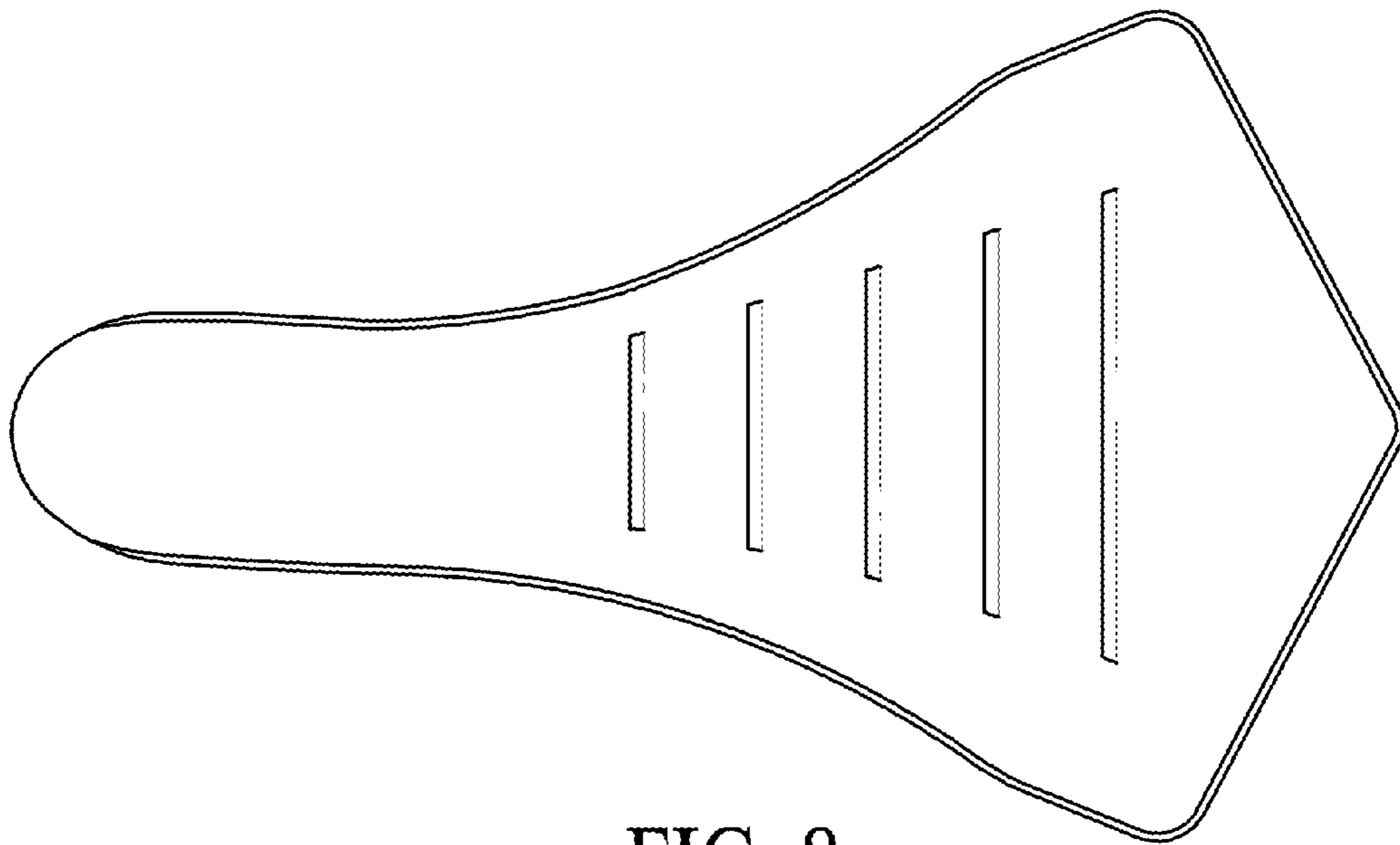


FIG. 8