



US00D755320S

(12) **United States Design Patent**
Aguilo et al.

(10) **Patent No.:** **US D755,320 S**

(45) **Date of Patent:** **** May 3, 2016**

(54) **FIN ADAPTER FOR WATER CRAFT**

(71) Applicants: **David Enrique Aguilo**, Encinitas, CA
(US); **Julian Ganguli**, Carlsbad, CA
(US)

(72) Inventors: **David Enrique Aguilo**, Encinitas, CA
(US); **Julian Ganguli**, Carlsbad, CA
(US)

(73) Assignees: **David Enrique Aguilo**, Encinitas, CA
(US); **Julian Ganguli**, Carlsbad, CA
(US)

(**) Term: **14 Years**

(21) Appl. No.: **29/501,801**

(22) Filed: **Sep. 9, 2014**

(51) **LOC (10) Cl.** **21-02**

(52) **U.S. Cl.**
USPC **D21/771**

(58) **Field of Classification Search**
USPC D21/769-770, 801, 803, 809; 114/253,
114/345-346; 441/35, 66, 74, 40-42,
441/129-132; 472/128-129; D12/5, 6, 316;
D6/392, 595, 596, 601, 604, 605
CPC B63B 35/76; B63B 35/74; A61H 37/005
See application file for complete search history.

(56) **References Cited**

U.S. PATENT DOCUMENTS

6,793,548 B2 * 9/2004 Jolly et al. 441/79
7,025,645 B1 * 4/2006 Hsieh 441/79

7,285,031 B2 * 10/2007 Mair et al. 441/79
D621,464 S * 8/2010 Durante et al. D21/771
D635,630 S * 4/2011 Durante D21/771
D660,393 S * 5/2012 Bradley et al. D21/771
D663,000 S * 7/2012 Trotter D21/771
2002/0155769 A1 * 10/2002 Herbert et al. 441/79

* cited by examiner

Primary Examiner — Zenia Bennett

(57) **CLAIM**

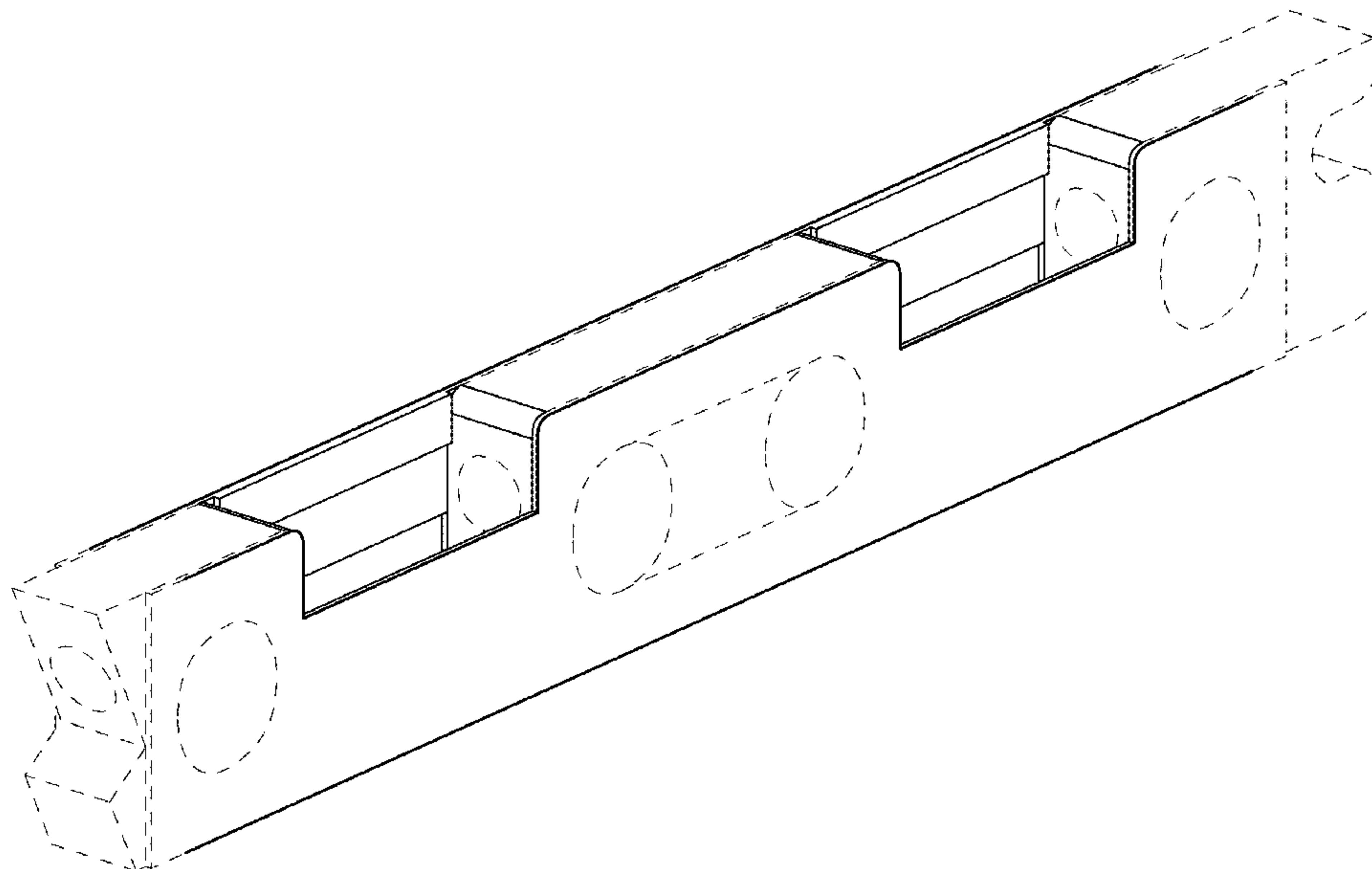
The ornamental design for a fin adapter for water craft, as shown and described.

DESCRIPTION

FIG. 1 is a front left side perspective view of the first embodiment of a fin adapter for water craft showing our new design; FIG. 2 is a bottom left side perspective view of the first embodiment of our new design; FIG. 3 is a left side view of the first embodiment of our new design; FIG. 4 is a front view of the first embodiment of our new design; FIG. 5 is a top view of the first embodiment of our new design; FIG. 6 is a rear view of the first embodiment of our new design; FIG. 7 is a right side view of the first embodiment of our new design; and, FIG. 8 is a bottom view of the first embodiment of our new design.

The broken lines in the drawing are for illustrative purposes only and form no part of the claimed design.

1 Claim, 8 Drawing Sheets



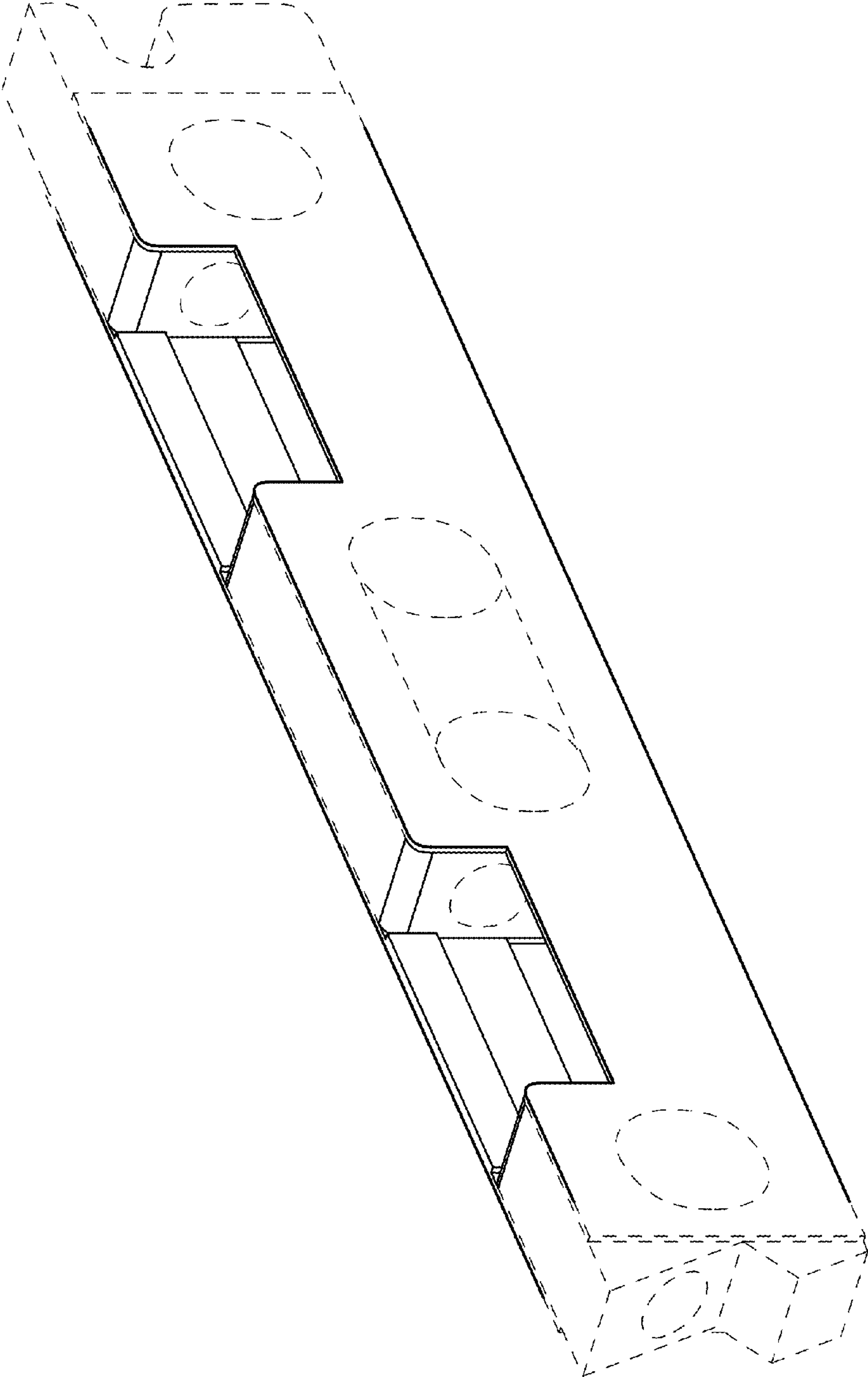


FIGURE 1

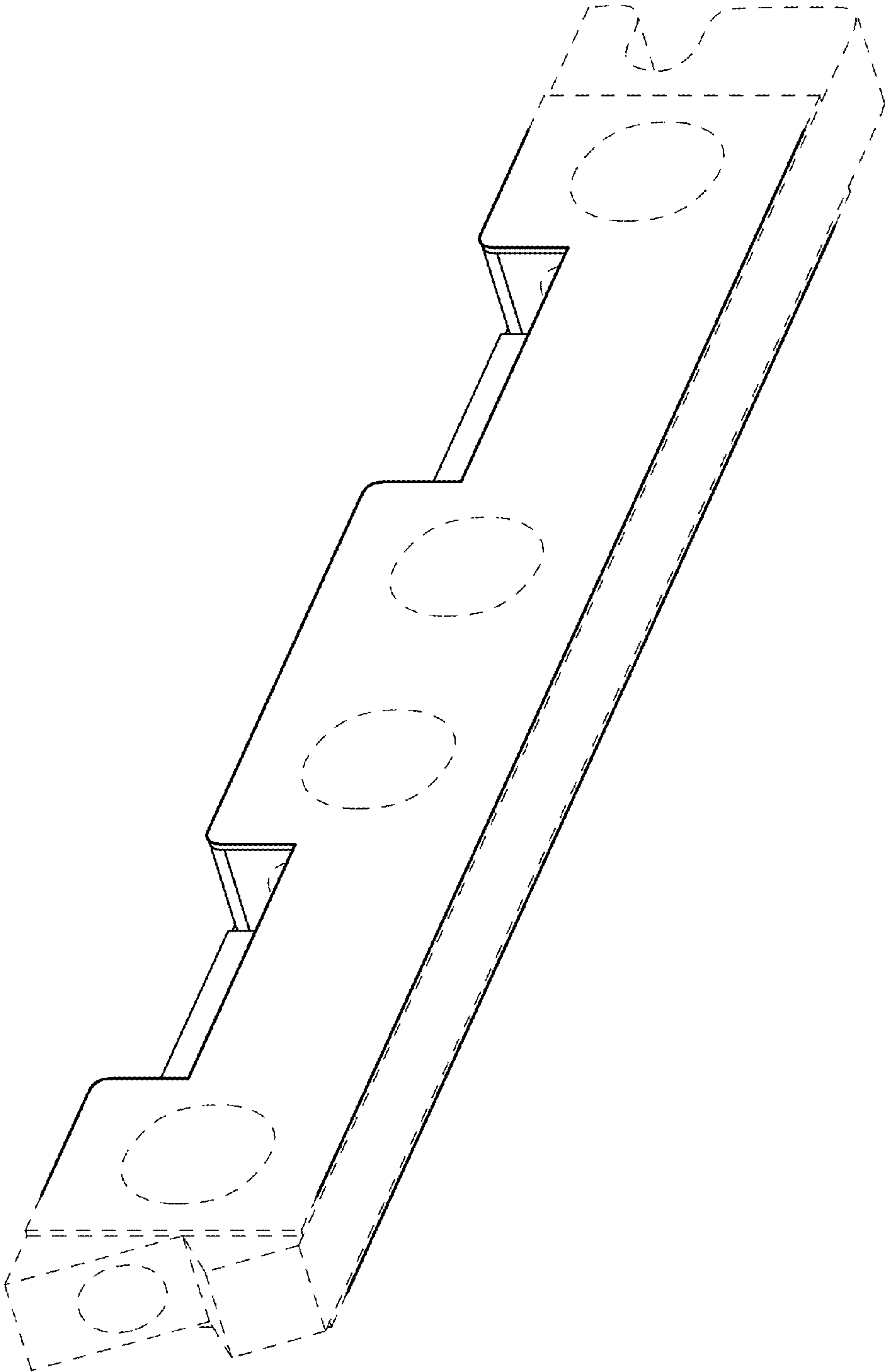


FIGURE 2

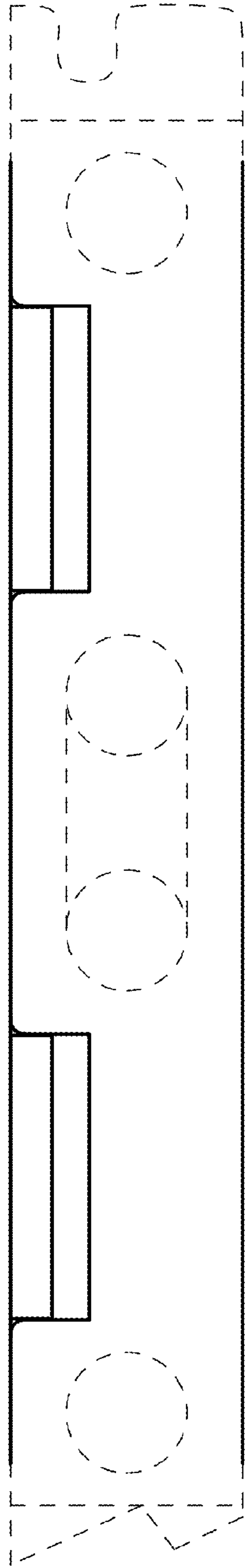


FIGURE 3

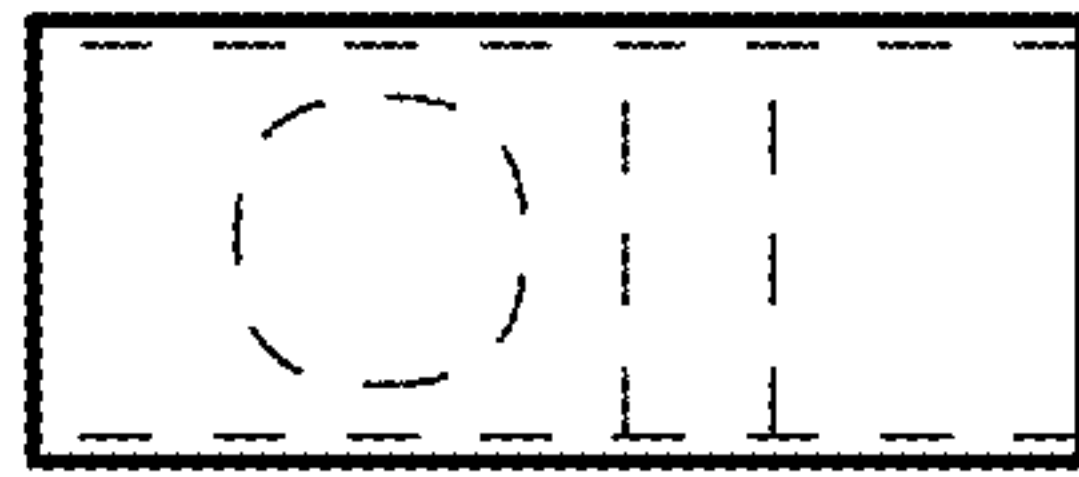


FIGURE 4

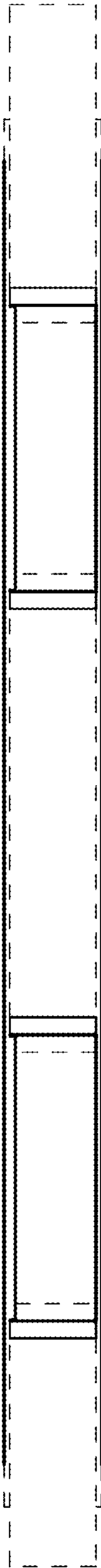


FIGURE 5



FIGURE 6

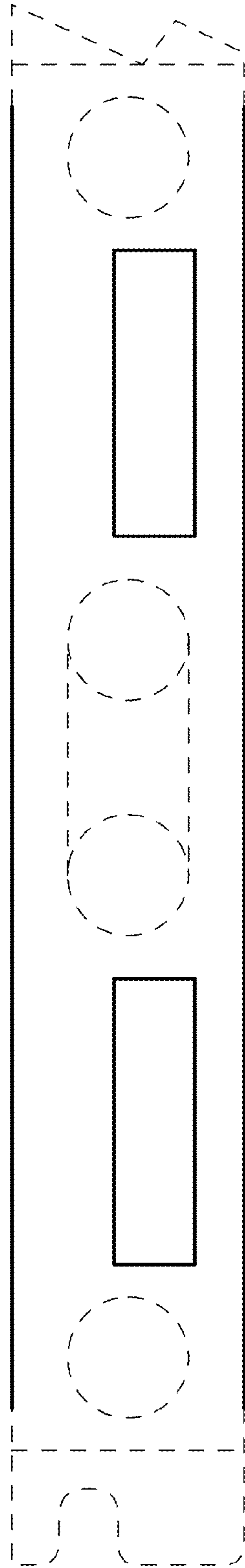


FIGURE 7

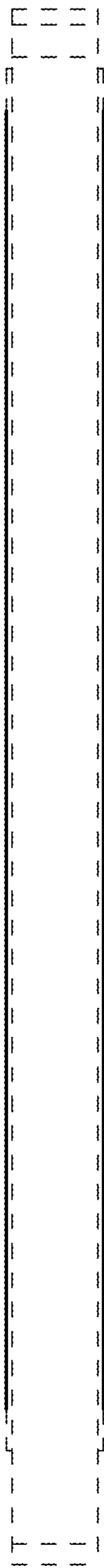


FIGURE 8