



US00D755315S

(12) **United States Design Patent**  
**Day**

(10) **Patent No.:** **US D755,315 S**  
(45) **Date of Patent:** **\*\* May 3, 2016**

- (54) **GOLF CLUB HEADCOVER**
- (71) Applicant: **Cobra Golf Incorporated**, Carlsbad, CA (US)
- (72) Inventor: **Cameron J. Day**, Aliso Niejo, CA (US)
- (73) Assignee: **COBRA GOLF INCORPORATED**, Carlsbad, CA (US)
- (\*\*) Term: **14 Years**
- (21) Appl. No.: **29/502,970**
- (22) Filed: **Sep. 22, 2014**
- (51) **LOC (10) Cl.** ..... **21-02**
- (52) **U.S. Cl.**  
USPC ..... **D21/754**
- (58) **Field of Classification Search**  
USPC ..... D21/754; 150/160  
CPC ..... A63B 55/007; A63B 55/00; A63B 60/62  
See application file for complete search history.

(56) **References Cited**

**U.S. PATENT DOCUMENTS**

- 2,396,021 A \* 3/1946 Schloss ..... A63B 60/62  
150/160
- 5,415,213 A \* 5/1995 Diener ..... A63B 60/62  
150/160
- D387,982 S \* 12/1997 Kaplan ..... D9/418
- D393,893 S \* 4/1998 Pollard ..... D21/754
- 5,868,248 A \* 2/1999 Joh ..... A63B 55/00  
150/160
- D421,780 S \* 3/2000 Whitesides ..... D21/754
- D438,927 S \* 3/2001 Mertens ..... D21/754
- 6,374,882 B1 \* 4/2002 McLoughlin ..... A63B 60/62  
150/160
- D484,209 S \* 12/2003 Oldknow ..... D21/754
- D506,744 S \* 6/2005 Andre ..... D14/205
- D528,618 S \* 9/2006 Chen ..... D21/754
- D556,844 S \* 12/2007 Lee ..... D21/754
- D556,845 S \* 12/2007 Lee ..... D21/754
- D576,486 S \* 9/2008 Koza ..... D9/432

- D600,944 S \* 9/2009 McConnell ..... D6/675
- D605,976 S \* 12/2009 Beier ..... D11/184
- D620,953 S \* 8/2010 Andre ..... D14/203.3
- D639,494 S \* 6/2011 Schrimmer ..... D26/104
- D653,614 S \* 2/2012 Au ..... D13/108
- D668,143 S \* 10/2012 Akana ..... D14/496
- D670,777 S \* 11/2012 Roberts ..... D21/754
- D671,605 S \* 11/2012 Roberts ..... D21/754
- D681,548 S \* 5/2013 Zhang ..... D13/102
- D683,314 S \* 5/2013 Andre ..... D13/108
- D684,215 S \* 6/2013 Markowitz ..... D21/333
- D686,065 S \* 7/2013 Kuo ..... D9/432
- D698,869 S \* 2/2014 Strzelewicz ..... D21/499
- D709,758 S \* 7/2014 Burdock-Latter ..... D9/418
- D710,951 S \* 8/2014 Robertson ..... D21/465
- D711,990 S \* 8/2014 Roberts ..... D21/754
- D713,405 S \* 9/2014 Akana ..... D14/349
- D714,249 S \* 9/2014 Carney ..... D14/140
- D722,264 S \* 2/2015 Saideh ..... D9/418
- D734,550 S \* 7/2015 Schlatter ..... D28/83

(Continued)

*Primary Examiner* — Mark Goodwin

(74) *Attorney, Agent, or Firm* — Brown Rudnick LLP; Mark S. Leonardo

(57) **CLAIM**

The ornamental design for a golf club headcover, as shown and described.

**DESCRIPTION**

FIG. 1 illustrates a perspective view of a golf club headcover employing an ornamental design in accordance with the present invention;

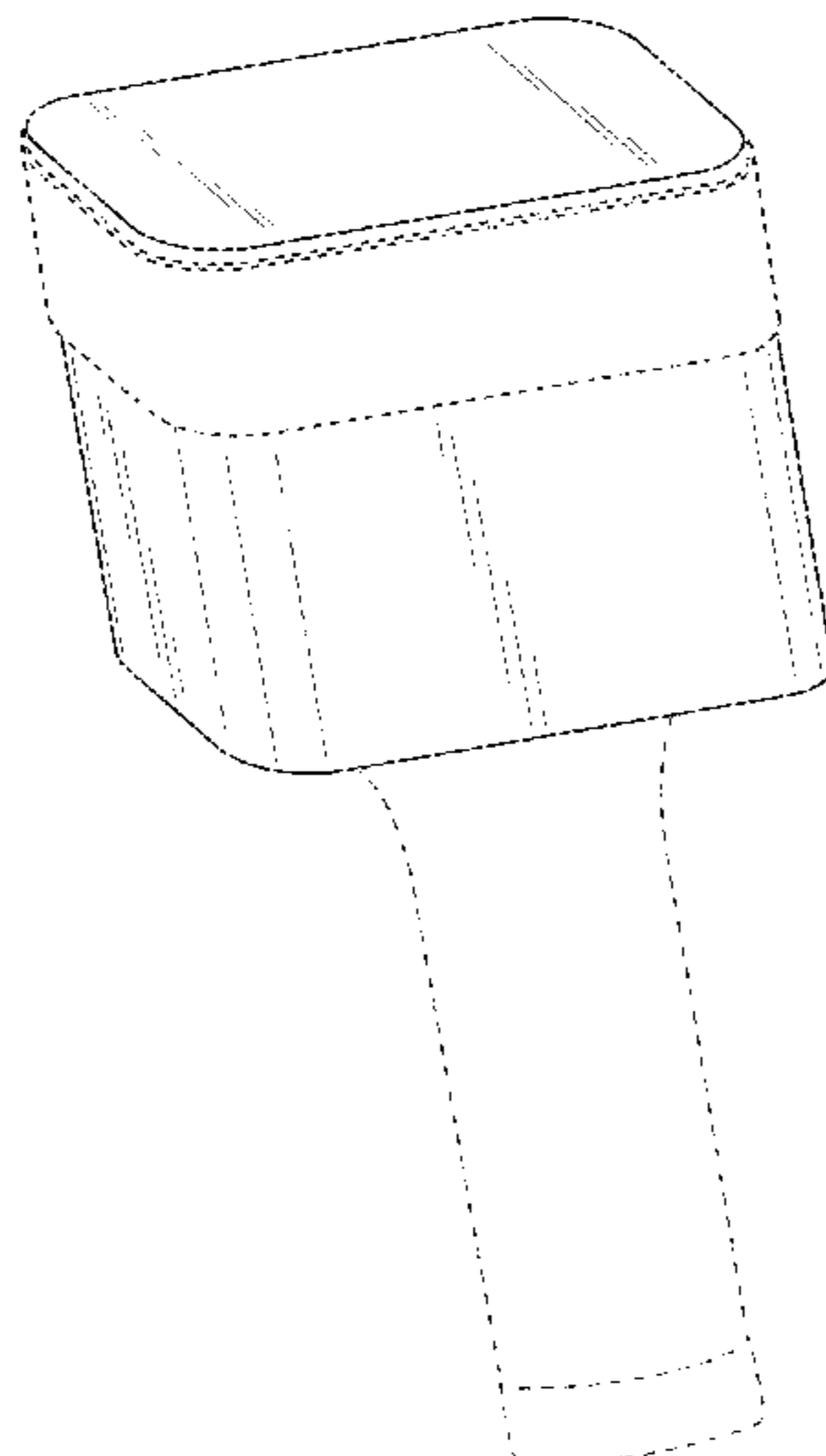
FIG. 2 illustrates a right side view of the golf club headcover of FIG. 1, wherein the left, front and back side views are mirror images thereof;

FIG. 3 illustrates a top side view of the golf club headcover of FIG. 1; and,

FIG. 4 illustrates a bottom side view of the golf club headcover of FIG. 1.

All features illustrated in phantom line are expressly disclaimed and form no part of the claimed design.

**1 Claim, 4 Drawing Sheets**



# US D755,315 S

Page 2

---

(56)

## References Cited

### U.S. PATENT DOCUMENTS

D735,662 S \* 8/2015 Ward ..... D13/108  
D738,167 S \* 9/2015 Weernink ..... D7/644  
D739,657 S \* 9/2015 Hsieh ..... D3/319

D739,904 S \* 9/2015 McGrath ..... D21/754  
D742,593 S \* 11/2015 Corey ..... D28/83  
2001/0035243 A1\* 11/2001 Choe ..... A63B 60/62  
150/160

\* cited by examiner

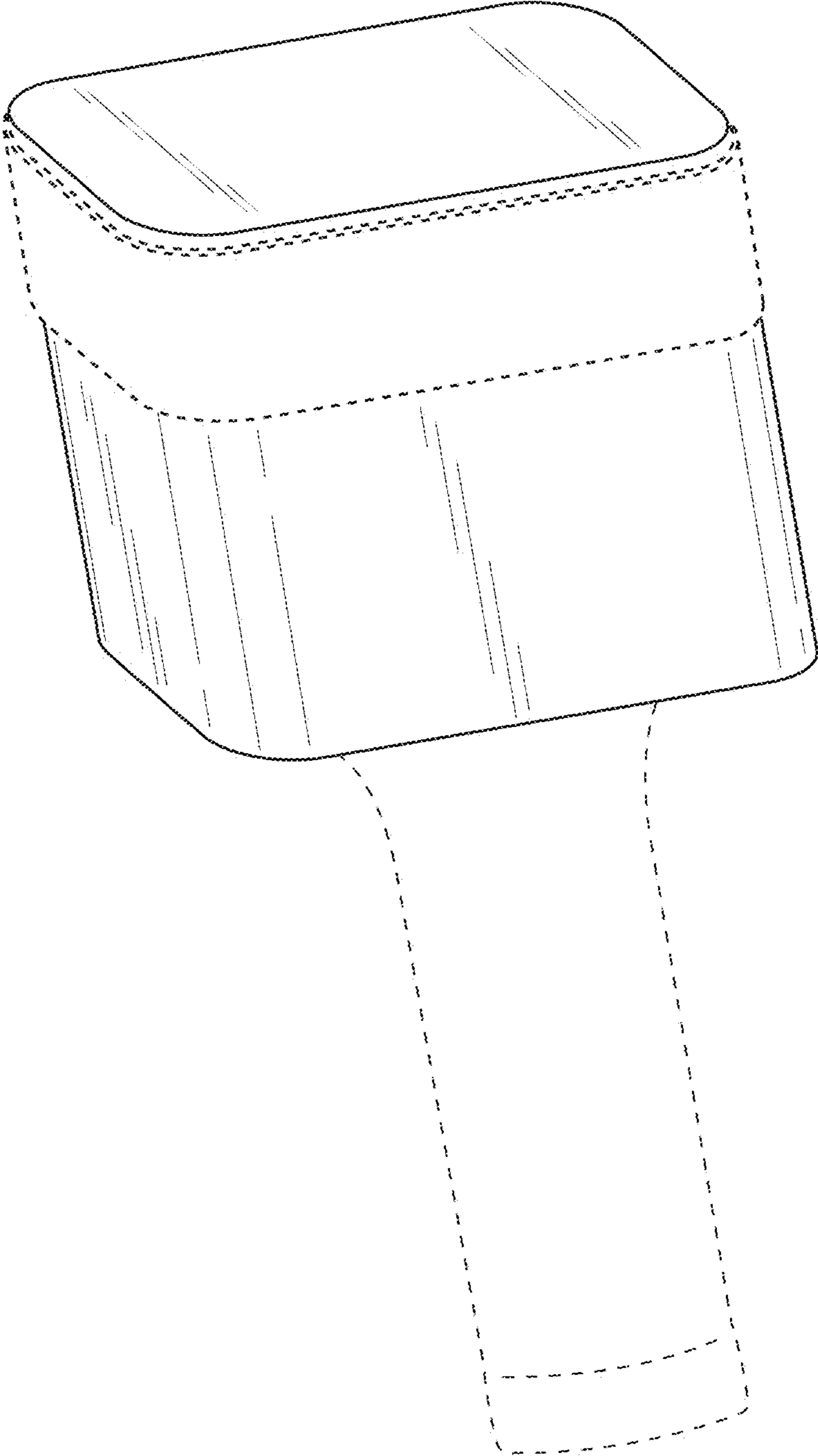


FIG. 1

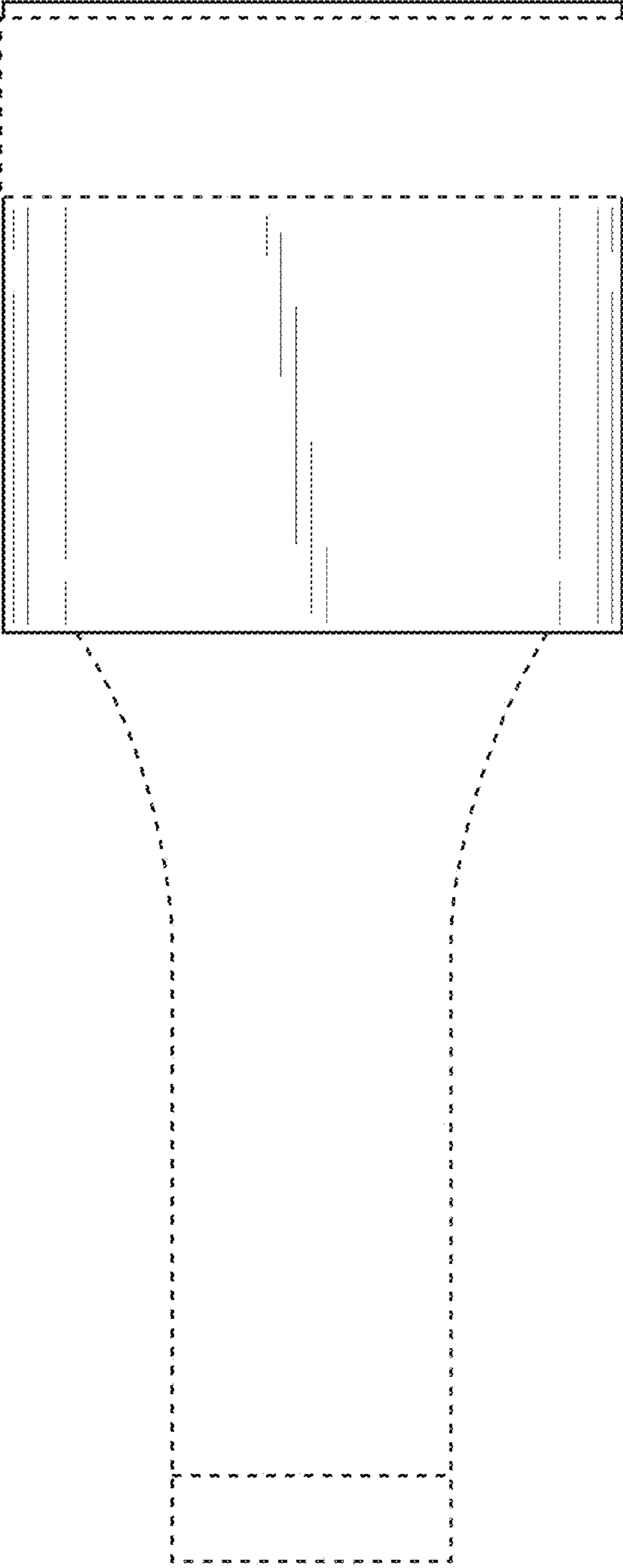


FIG.2

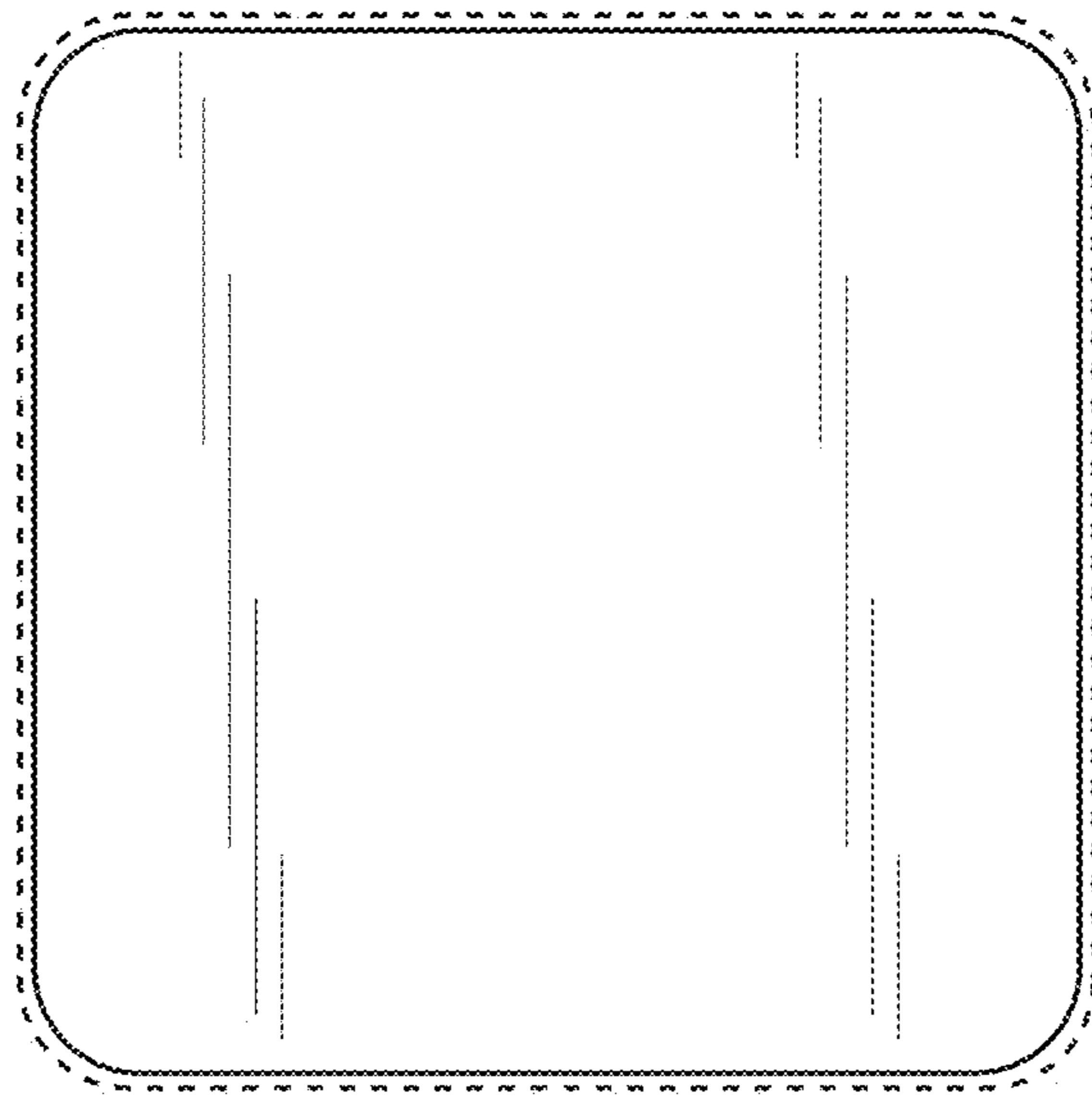


FIG.3

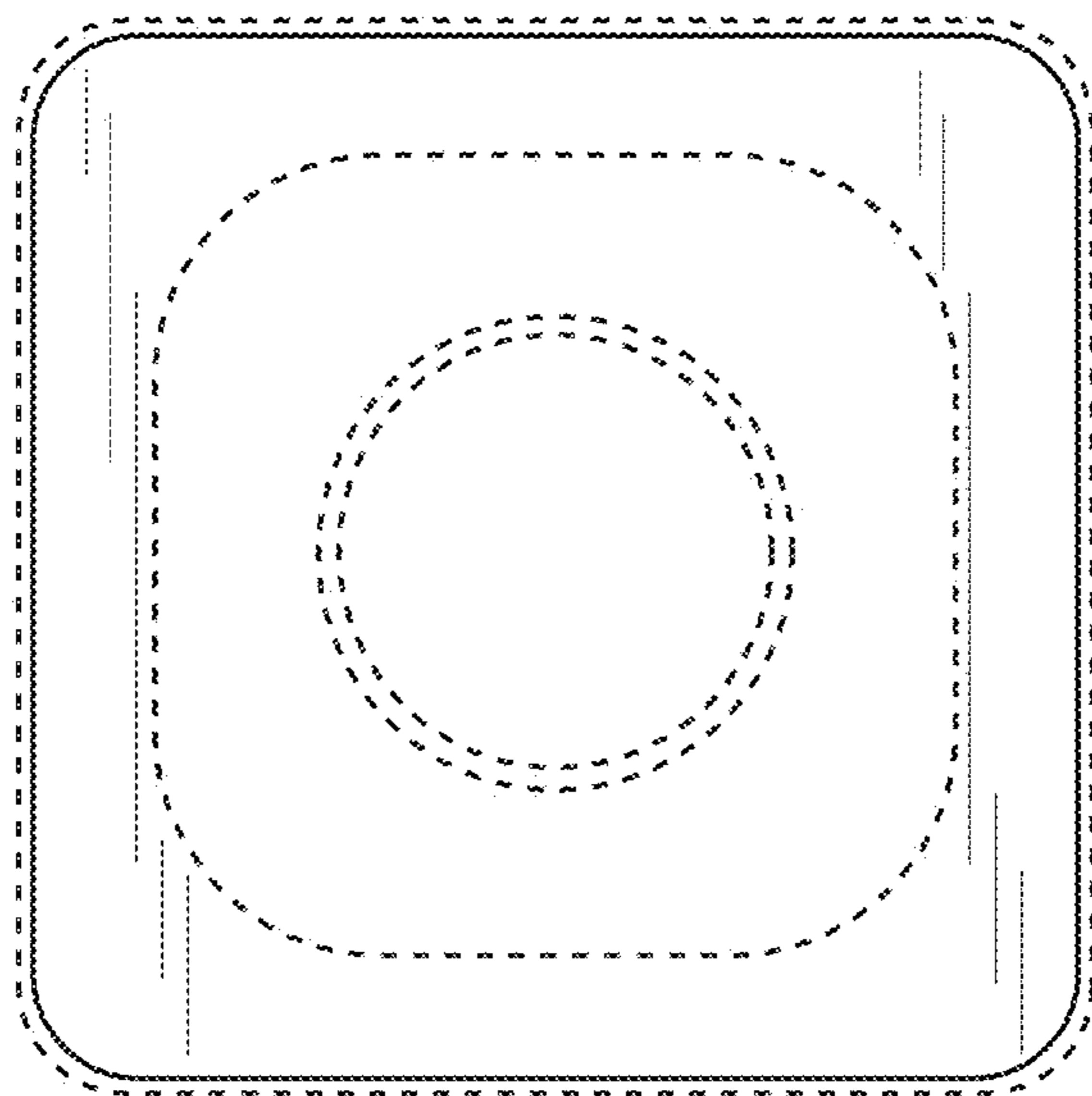


FIG.4