



US00D755310S

(12) **United States Design Patent**
Pedersen

(10) **Patent No.:** **US D755,310 S**
(45) **Date of Patent:** **** May 3, 2016**

(54) **MAGAZINE FOR AIRSOFT GUN**

- (71) Applicant: **ACTIONSPORTGAMES A/S**,
Humlebaek (DK)
- (72) Inventor: **Johnny P. Pedersen**, Humlebaek (DK)
- (73) Assignee: **ACTIONSPORTGAMES A/S**,
Humlebaek (DK)
- (**) Term: **14 Years**
- (21) Appl. No.: **29/502,011**
- (22) Filed: **Sep. 10, 2014**
- (30) **Foreign Application Priority Data**

Mar. 14, 2014 (EM) 002425066-0001

(51) **LOC (10) Cl.** **21-01**

(52) **U.S. Cl.**
USPC **D21/573**

(58) **Field of Classification Search**
 USPC D21/570, 572, 573, 574; D22/108-110;
 42/49.01, 50, 90, 11, 119, 122, 133;
 29/33.02, 34; 124/45, 75; 89/33.01,
 89/33.1
 CPC F41A 19/00; F41A 9/65; F41A 9/70;
 F41B 11/00; F41B 11/50; F41B 11/56;
 F41B 11/57; F41B 11/723; F41B 11/724
 See application file for complete search history.

(56) **References Cited**

U.S. PATENT DOCUMENTS

- 4,139,959 A * 2/1979 Howard F41A 9/70
42/50
- 4,901,463 A * 2/1990 Chesnut F41A 9/65
42/50
- 5,309,660 A * 5/1994 Blackamore F42B 33/14
42/106
- 7,237,543 B2 * 7/2007 Su F41B 11/56
124/71
- 7,415,977 B2 * 8/2008 Chen F41B 11/723
124/45
- D603,911 S * 11/2009 Halmone D21/573

(Continued)

OTHER PUBLICATIONS

“CZ Scorpion Evo 3 A1, The CZ for Professionals”. by Ceska Zbrojovka A.S., Svatopluka Cecha 1283. 688 27 Uhersky Brod, Czech Republic. www.czub.cz, © 2009-2015 Ceska zbrojovka a.s., 2 pages.

Primary Examiner — Cynthia M Chin

(74) *Attorney, Agent, or Firm* — Koppel, Patrick, Heybl & Philpott

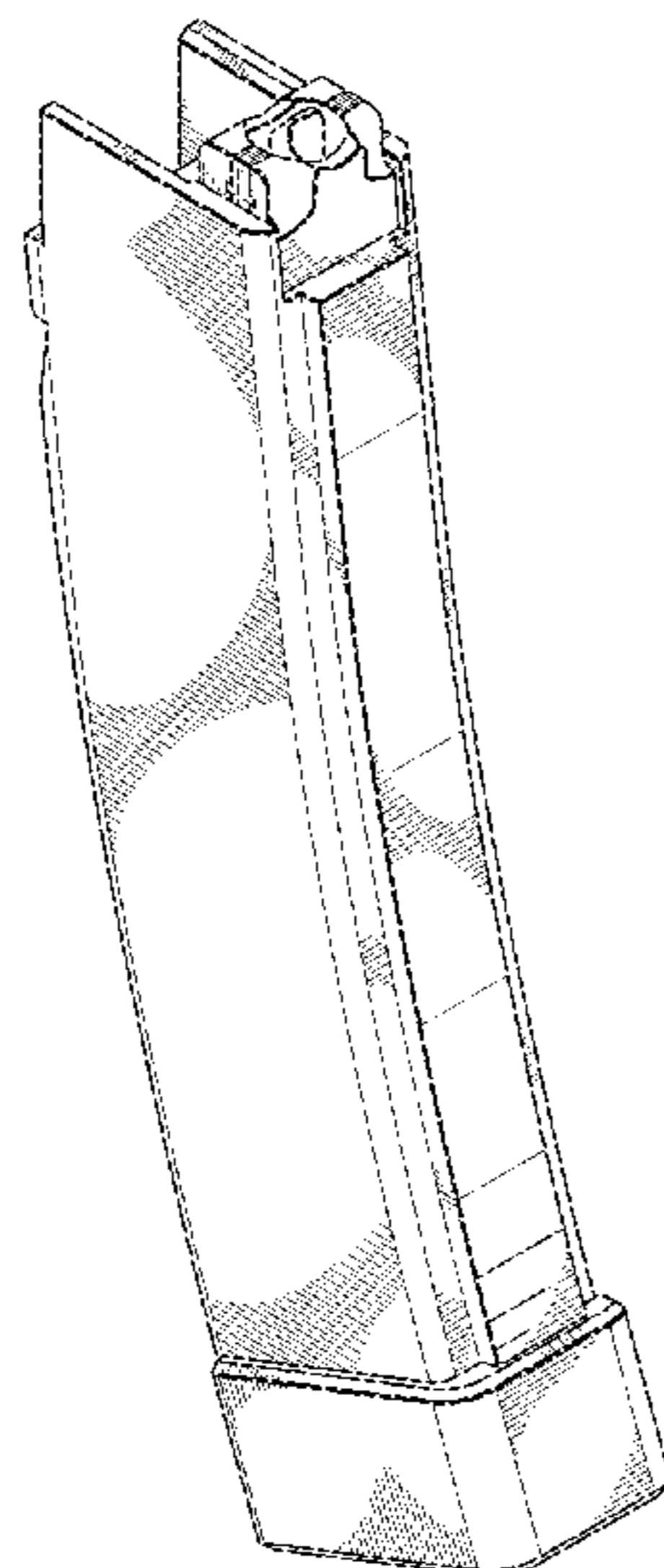
(57) **CLAIM**

The ornamental design for a magazine for airsoft gun, as shown and described herein.

DESCRIPTION

FIG. 1 is a top, front, left-side perspective view of a magazine according to the present invention.
 FIG. 2 is a top, front, right-side perspective view of a magazine according to the present invention.
 FIG. 3 is a top, rear, right-side perspective view of a magazine according to the present invention.
 FIG. 4 is an enlarged perspective view of the top of the magazine from FIG. 2.
 FIG. 5 is a top plan view of a magazine according to the present invention.
 FIG. 6 is a bottom plan view of a magazine according to the present invention.
 FIG. 7 is a left-side elevation view of a magazine according to the present invention.
 FIG. 8 is a front elevation view of a magazine according to the present invention.
 FIG. 9 is a right-side elevation view of a magazine according to the present invention; and,
 FIG. 10 is a rear elevation view of a magazine according to the present invention.
 Elements of the fixtures in the attached figures are in broken lines for illustrative and/or environmental purposes only and form no part of the claimed design.

1 Claim, 5 Drawing Sheets



US D755,310 S

Page 2

(56)

References Cited

U.S. PATENT DOCUMENTS

D620,545 S * 7/2010 Fitzpatrick D22/108
D670,350 S * 11/2012 Emde D22/108
D671,183 S 11/2012 Lucansky

D728,065 S * 4/2015 Tal D22/199
2006/0201491 A1* 9/2006 Wei F41B 11/56
124/74
2007/0256676 A1* 11/2007 Orvis F41B 11/57
124/31

* cited by examiner

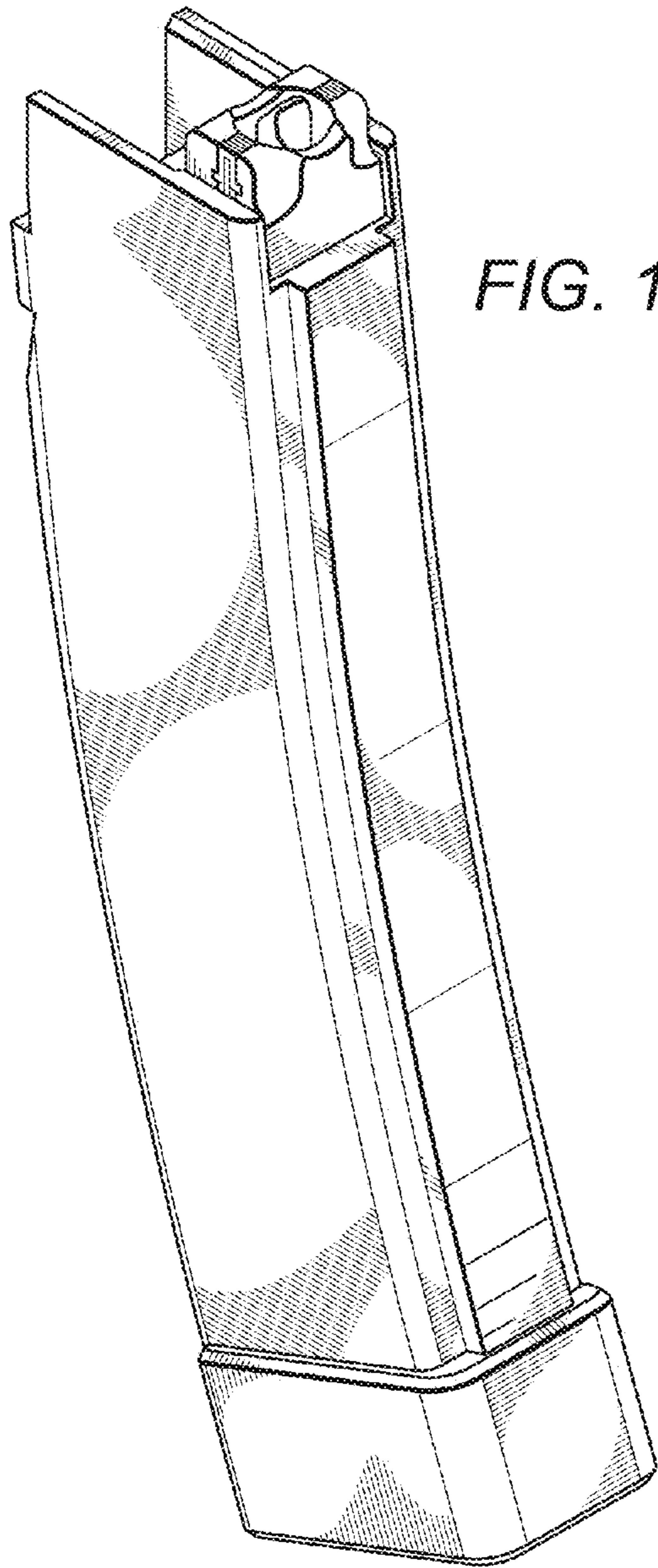


FIG. 1

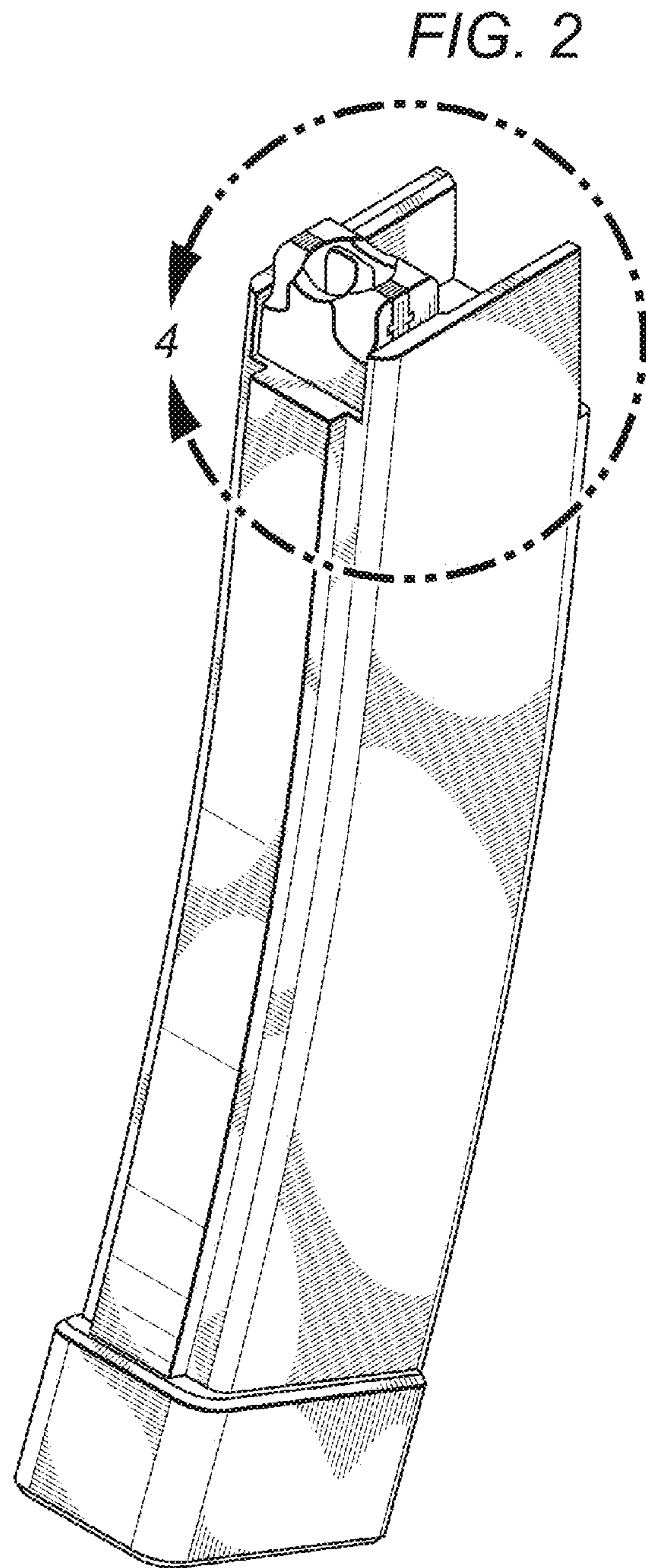


FIG. 2

FIG. 3

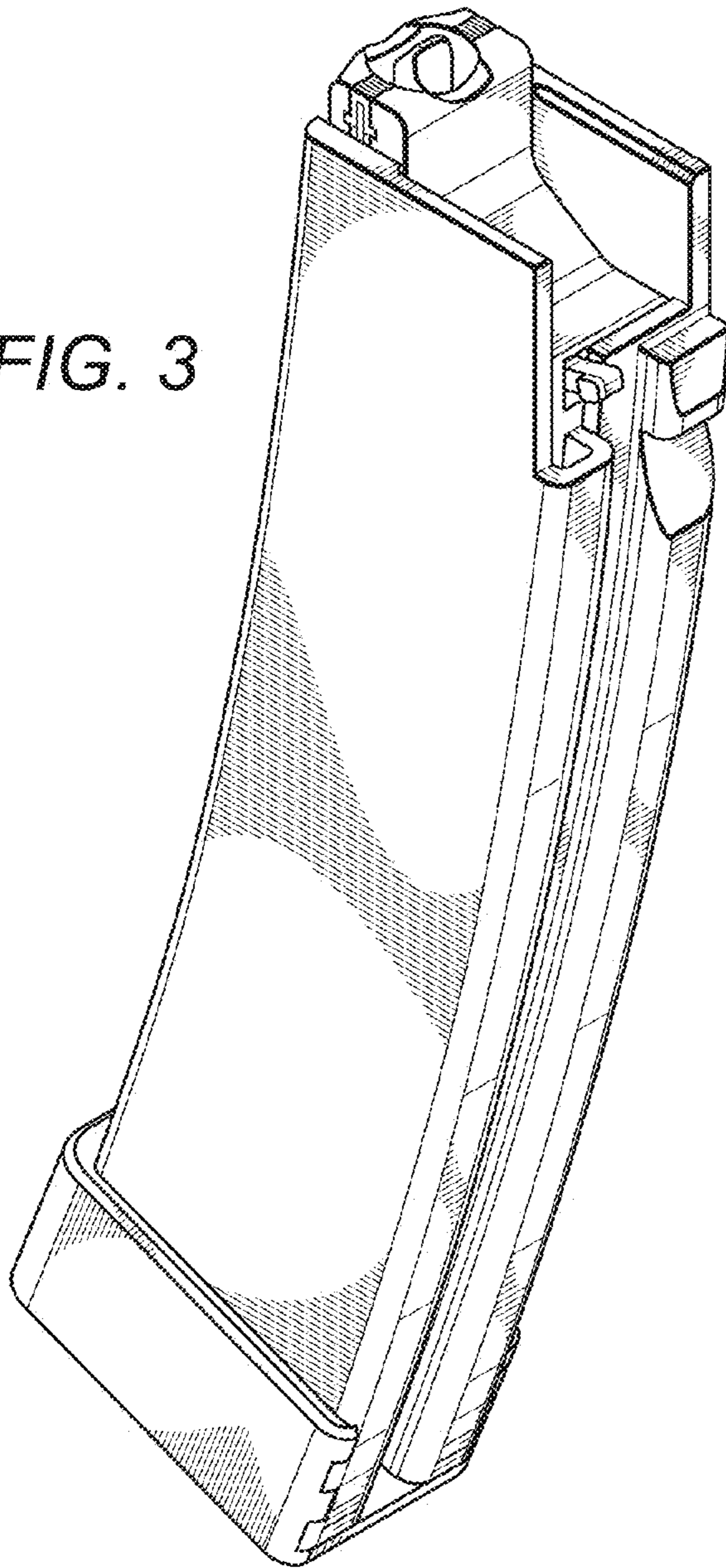


FIG. 4

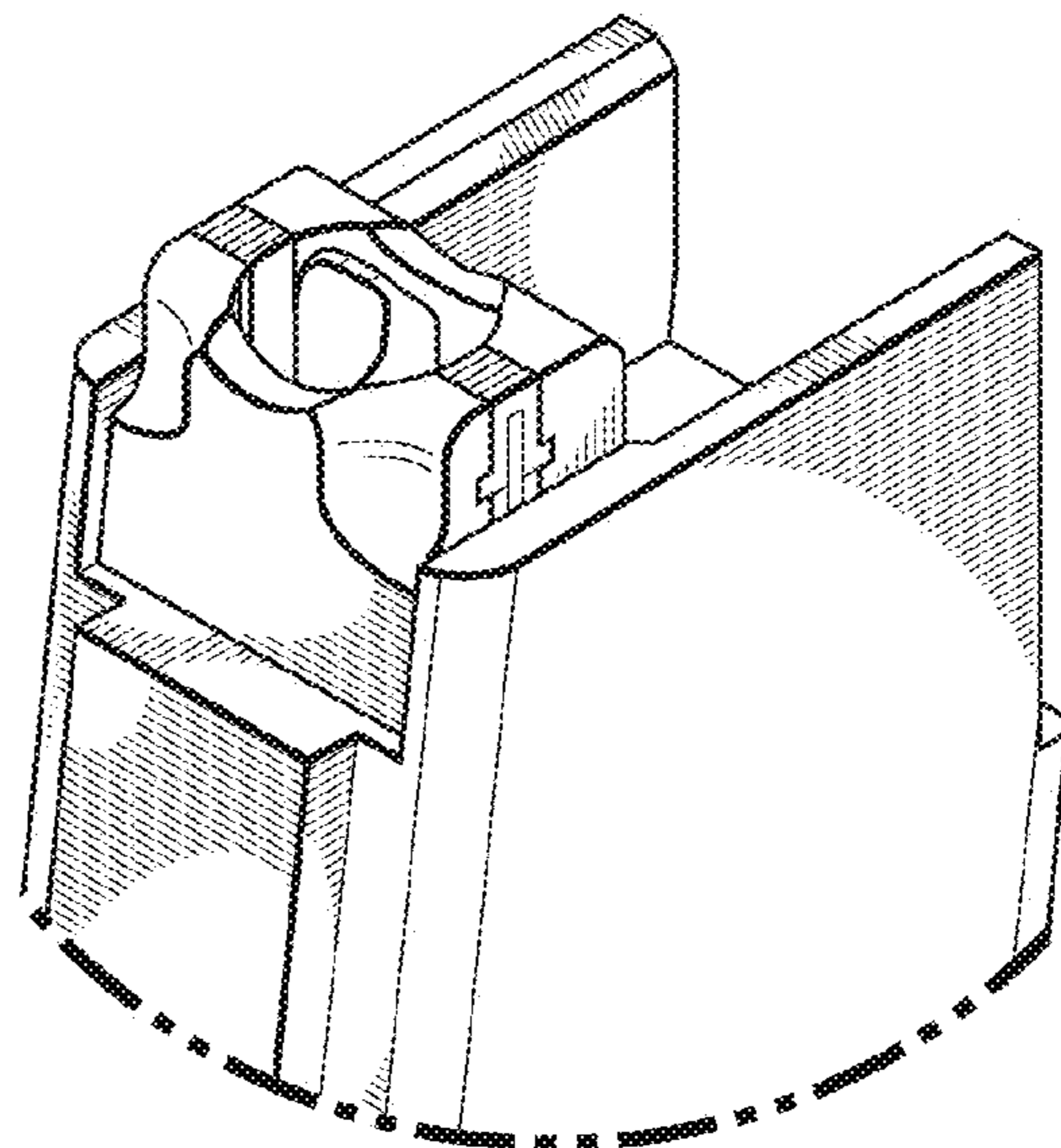


FIG. 5

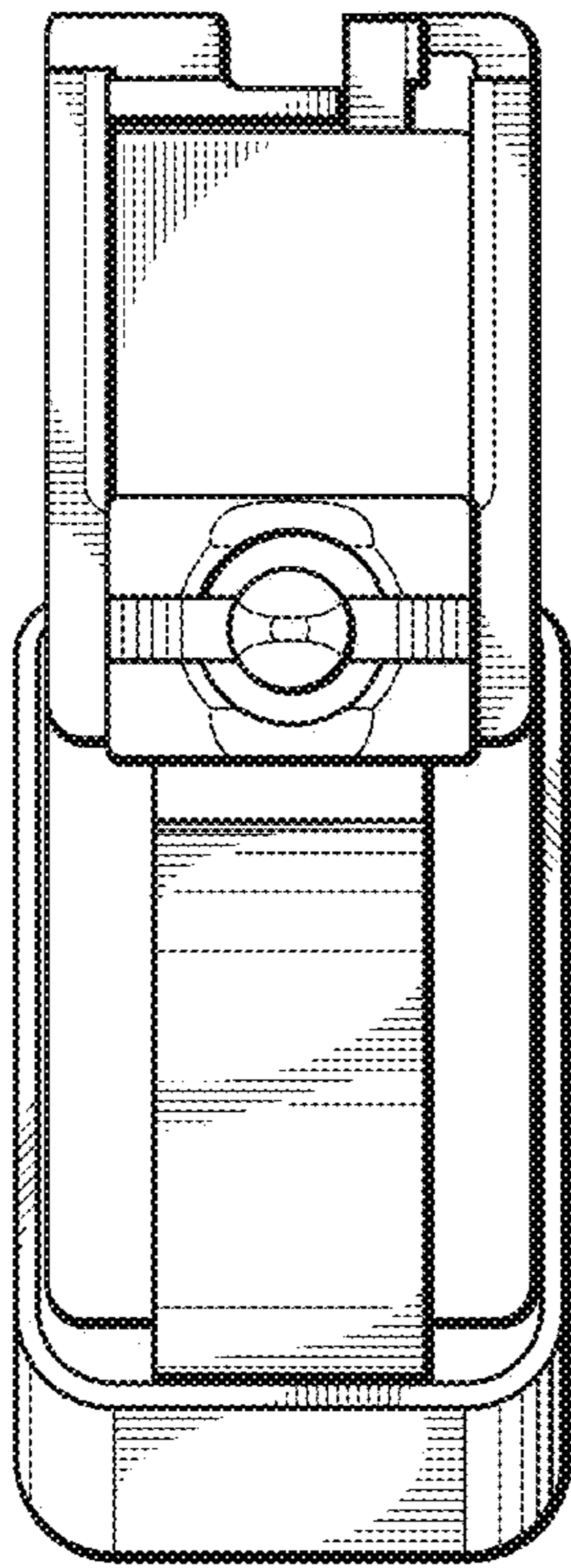
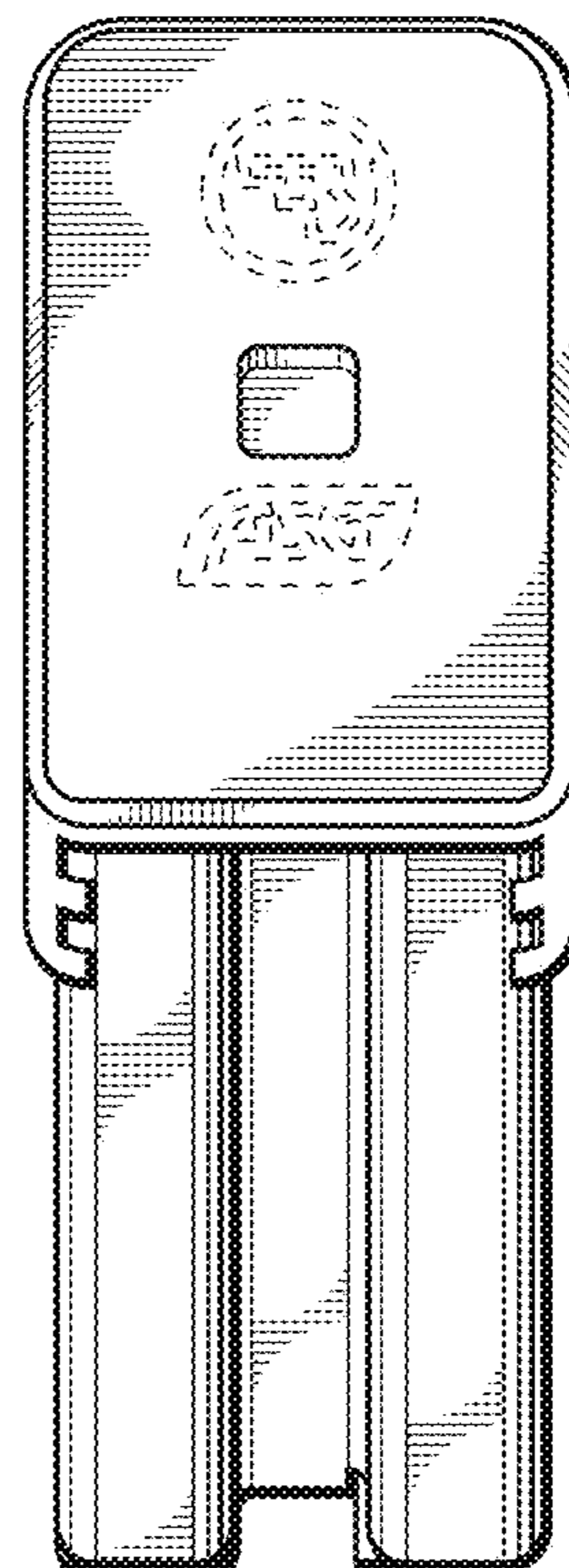


FIG. 6



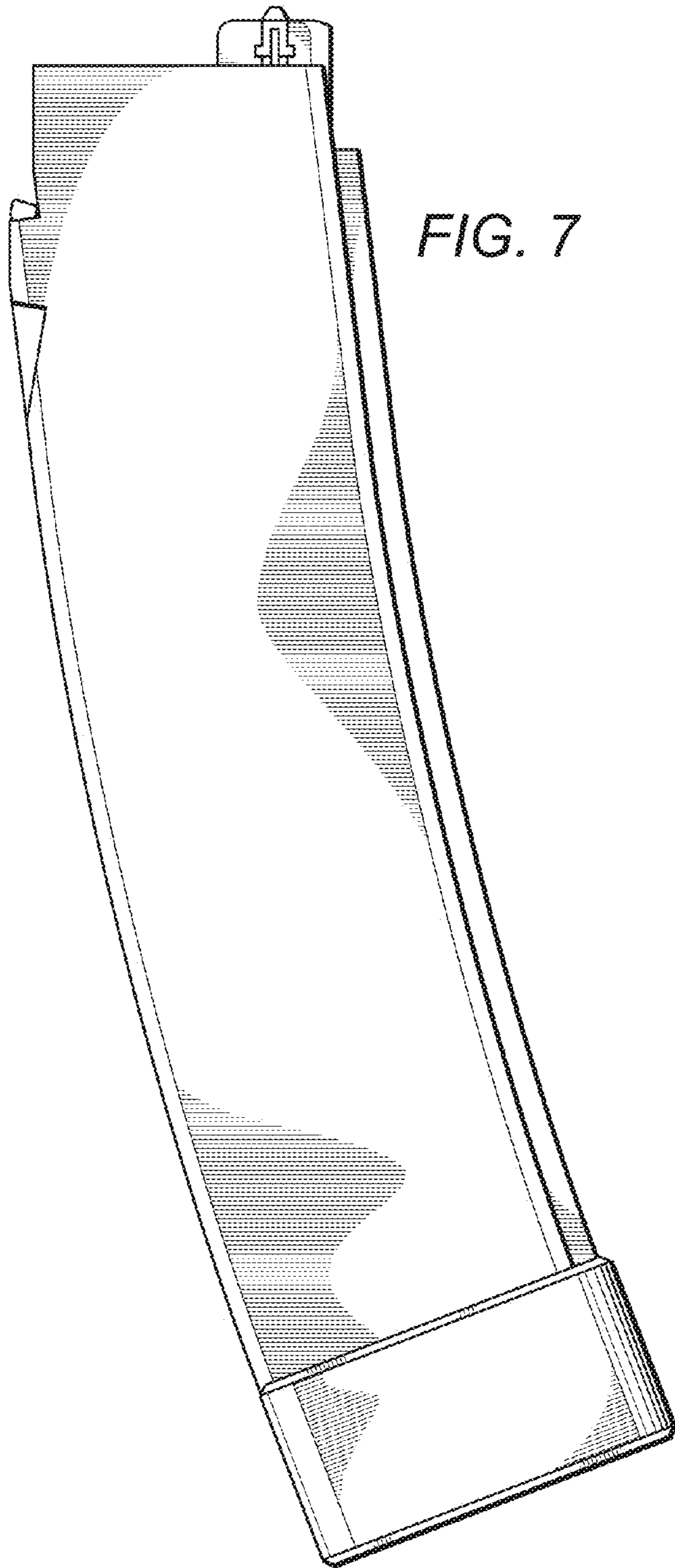


FIG. 8

