



US00D755306S

(12) **United States Design Patent**
Lee

(10) **Patent No.:** **US D755,306 S**
(45) **Date of Patent:** **** May 3, 2016**

(54) **RIDING TOY FOR CHILDREN**

(56) **References Cited**

(71) Applicants: **Efolium co., Ltd**, Seoul (KR); **Jeongbae Lee**, Seoul (KR)

U.S. PATENT DOCUMENTS

(72) Inventor: **Jeongbae Lee**, Seoul (KR)

D244,047 S *	4/1977	Daverin et al.	D21/428
D248,683 S *	7/1978	Nakao et al.	D21/428
D292,603 S *	11/1987	Shinn-Hsiung	D21/591
D370,037 S *	5/1996	Berggreen	D21/597
D388,839 S *	1/1998	Hsieh	D21/419
D389,533 S *	1/1998	Maxwell	D21/428
D567,321 S *	4/2008	Brown	D21/801
D587,322 S *	2/2009	Child et al.	D21/427
D638,885 S *	5/2011	Herlitz et al.	D21/419
D670,771 S *	11/2012	Lo et al.	D21/597

(73) Assignees: **EFOLIUM CO., LTD**, Seoul (KR);
Jeong Bae Lee, Seoul (KR)

(**) Term: **14 Years**

* cited by examiner

(21) Appl. No.: **29/512,641**

Primary Examiner — Cynthia M Chin

(22) Filed: **Dec. 22, 2014**

(74) *Attorney, Agent, or Firm* — Paratus Law Group, PLLC

(51) **LOC (10) Cl.** **21-01**

(57) **CLAIM**

(52) **U.S. Cl.**
USPC **D21/428**

The ornamental design for a “riding toy for children,” as shown and described.

(58) **Field of Classification Search**

DESCRIPTION

USPC D21/412, 414, 415, 419, 424, 426, 427, D21/428, 503, 591, 597, 831, 832, 833
CPC A63G 13/00; A63G 13/06; A63G 13/10; A63G 15/00; A63G 15/02; A63G 15/04; B62B 9/00; B62B 9/28; B62B 7/00; B62B 7/002; B62B 7/004; B62B 7/006; B62B 7/008; B62B 7/02; B62B 7/04; B62B 7/042; B62B 7/044; B62B 7/06; B62B 7/12; B62B 7/126; B62B 7/14; B62B 7/142; B62B 7/145; B62B 7/147

FIG. 1 is a perspective view of riding toy for children showing my new design;
FIG. 2 is a front elevational view thereof;
FIG. 3 is a back elevational view thereof;
FIG. 4 is a left side elevational view thereof;
FIG. 5 is a right side elevational view thereof;
FIG. 6 is a top view thereof; and,
FIG. 7 is a bottom view thereof.

The broken lines depict environmental subject matter, are for illustration only and form no part of the claimed design.

See application file for complete search history.

1 Claim, 7 Drawing Sheets

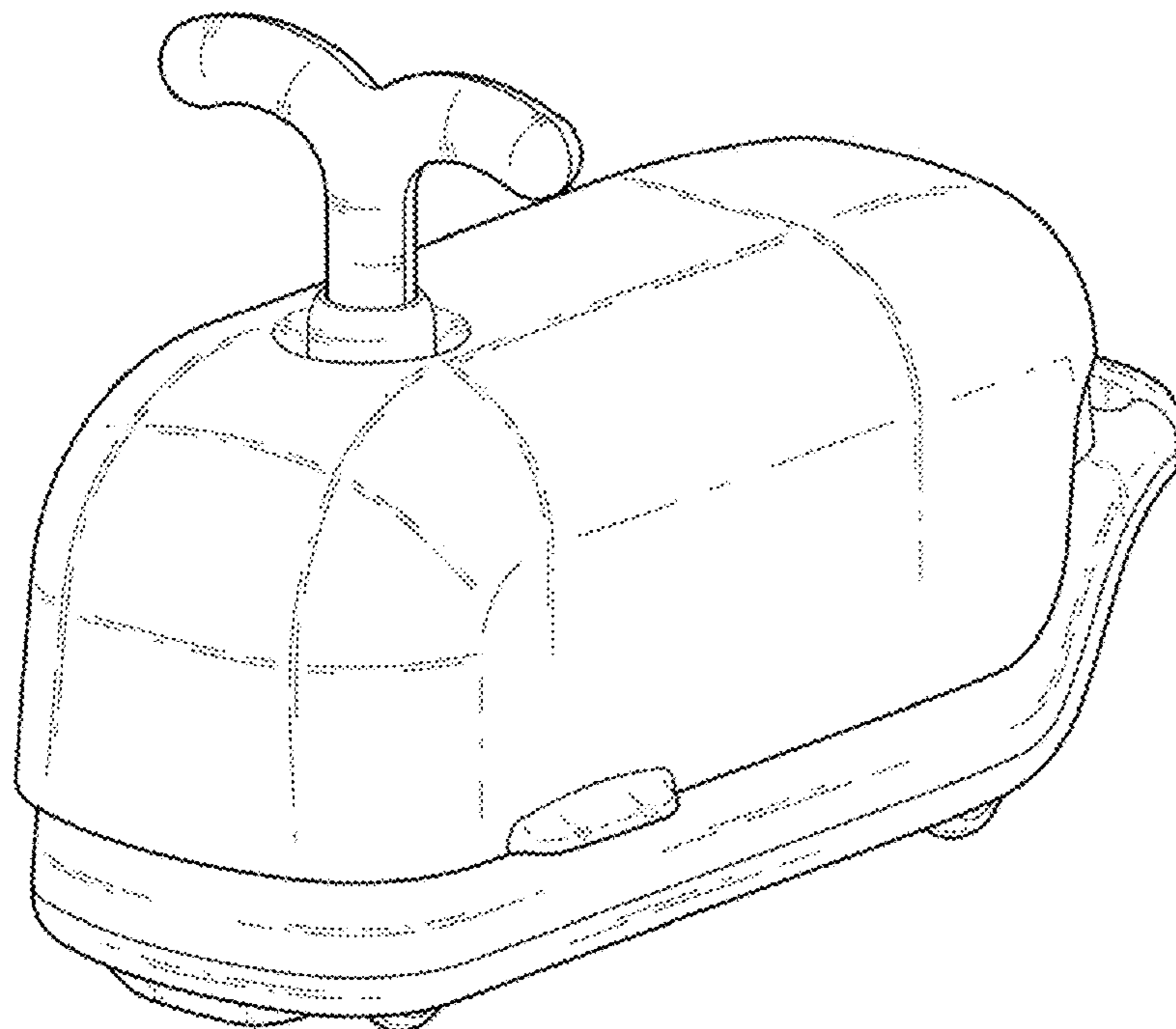


FIG. 1

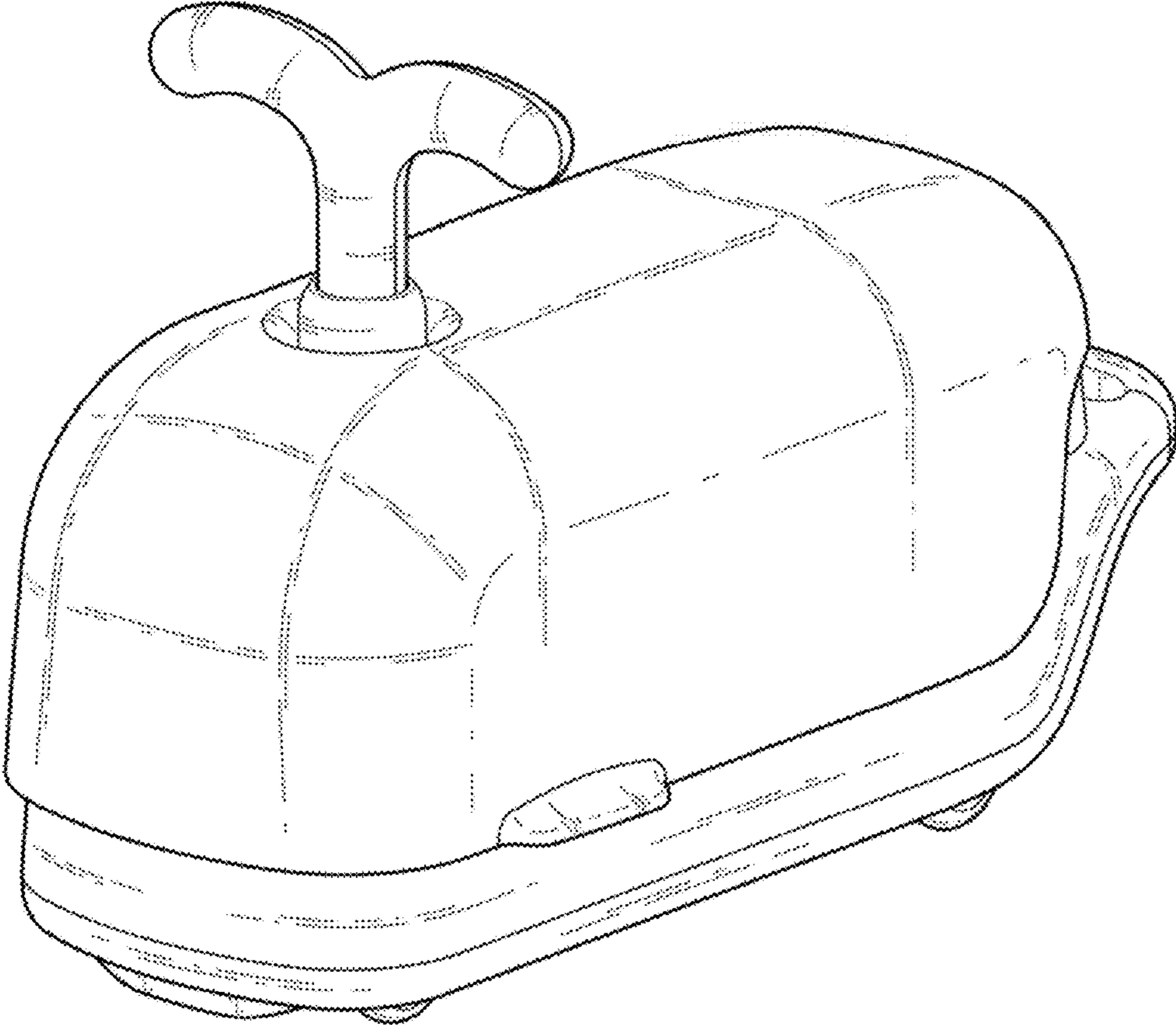


FIG. 2

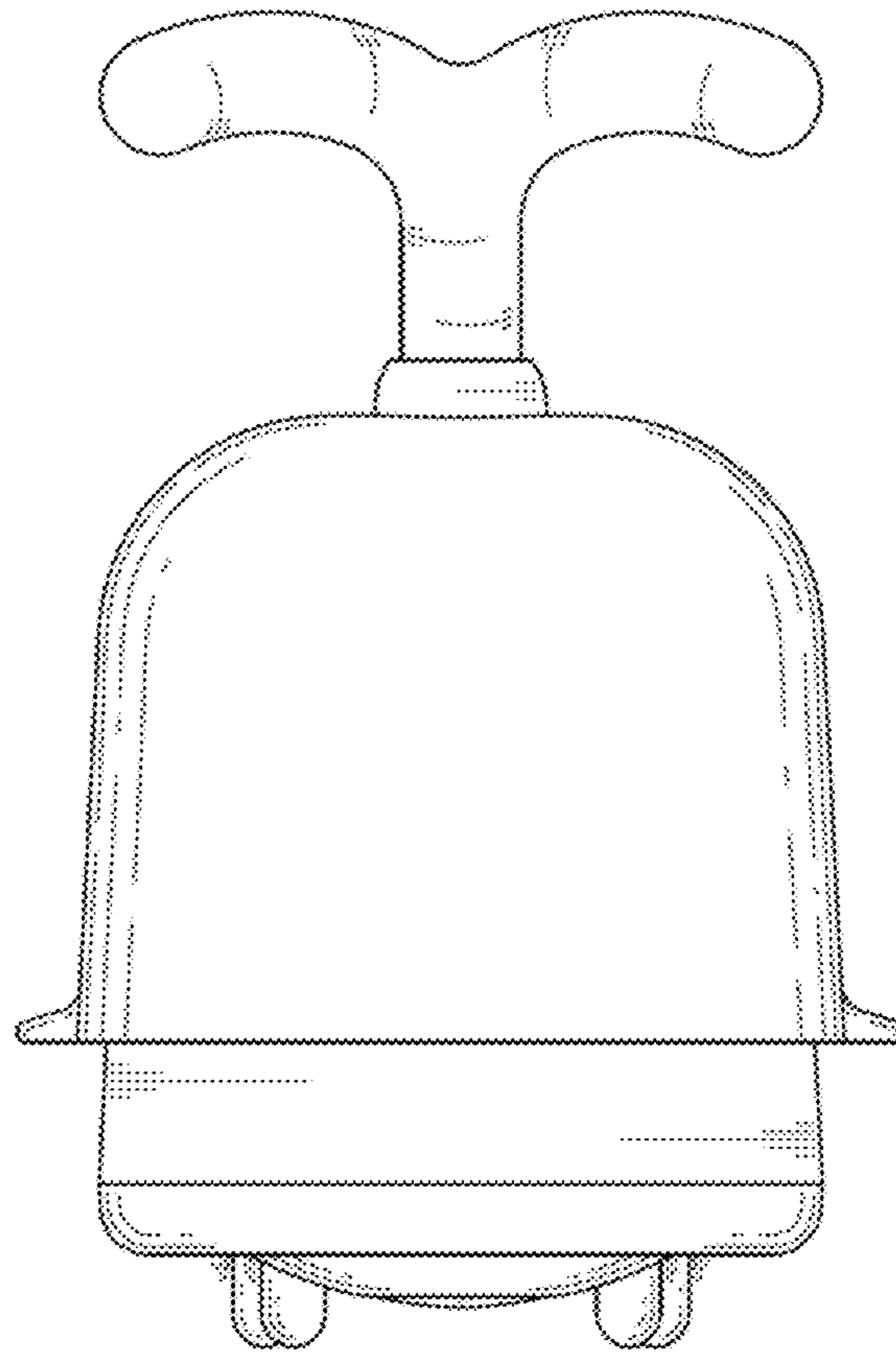


FIG. 3

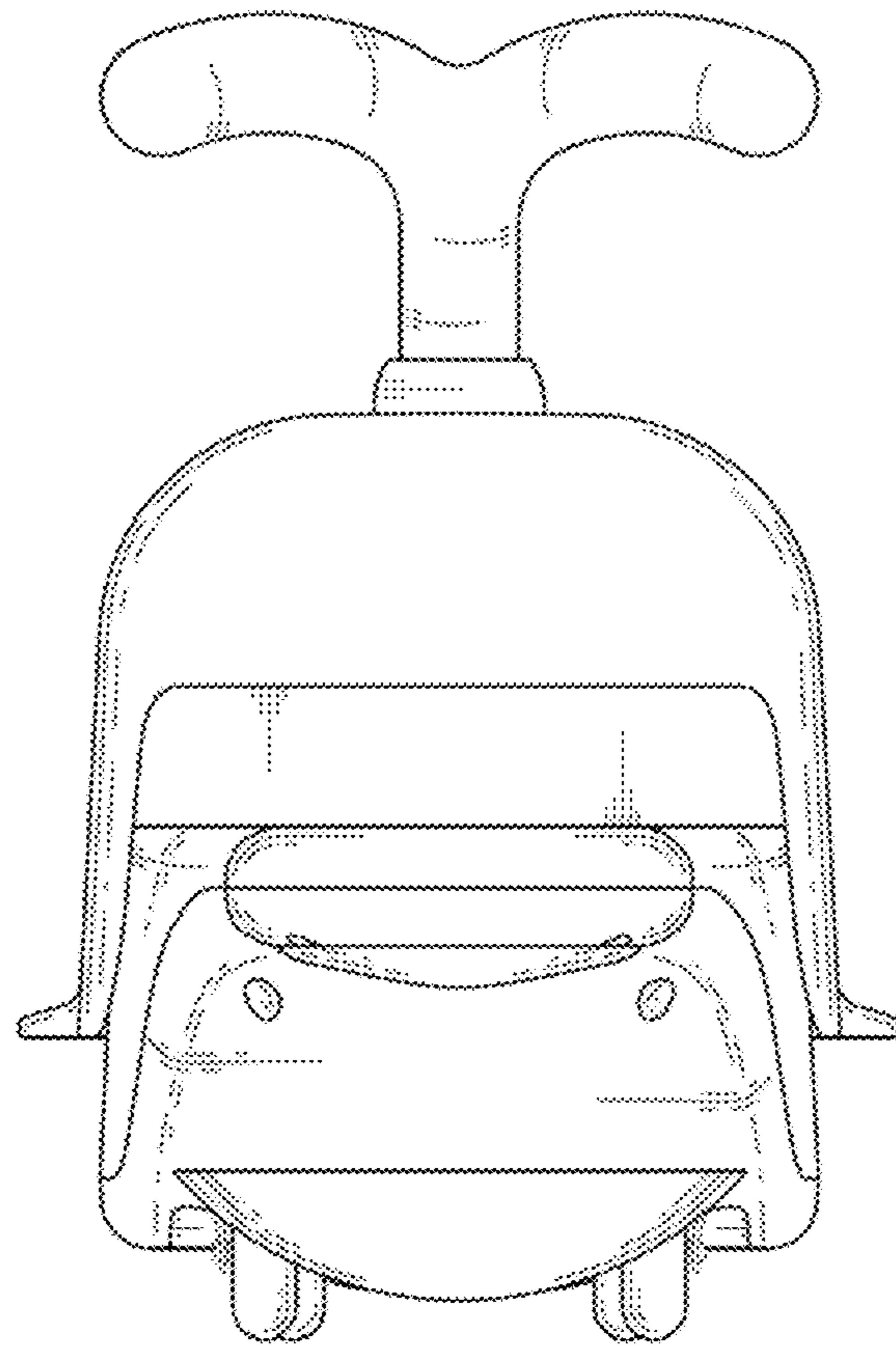


FIG. 4

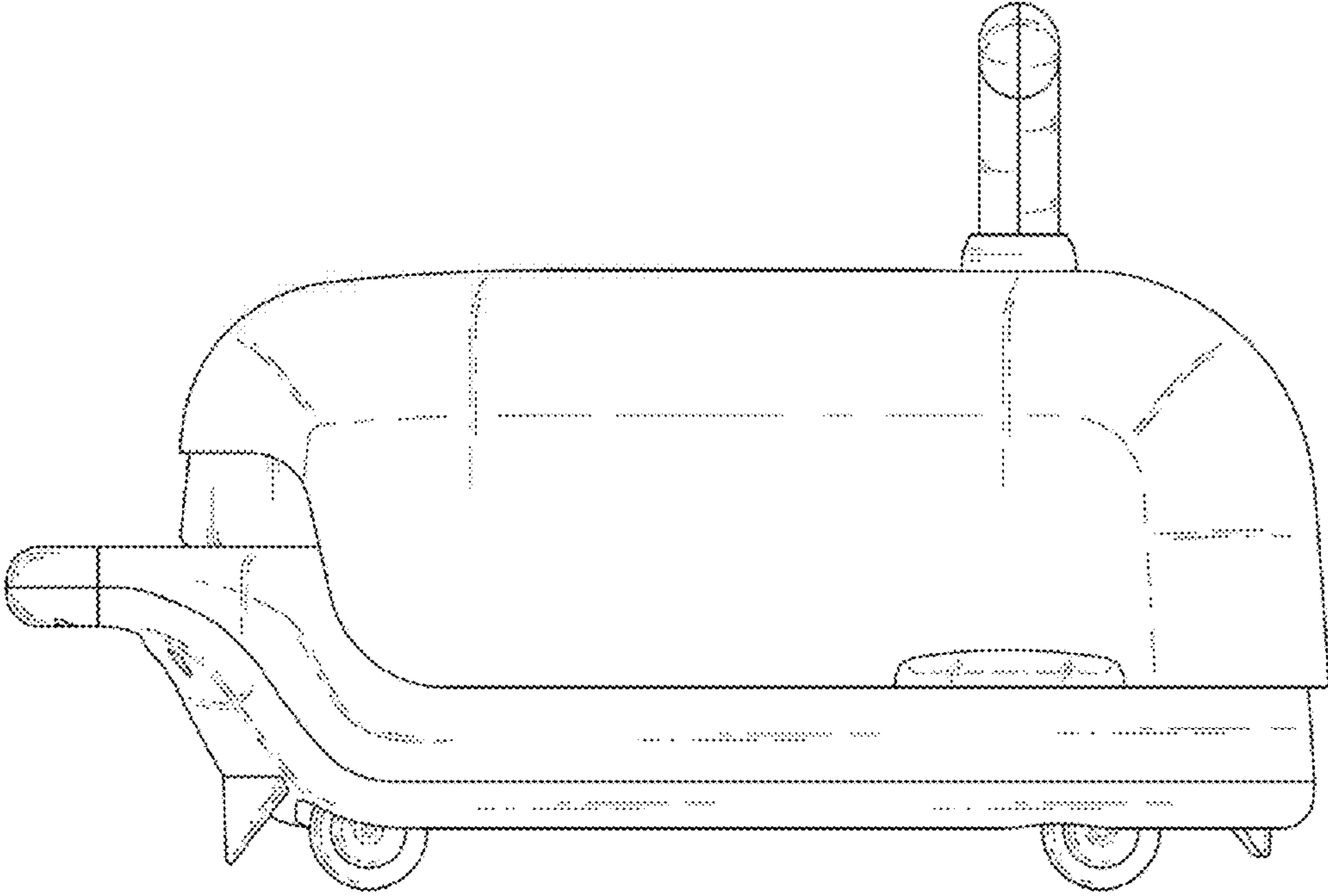


FIG. 5

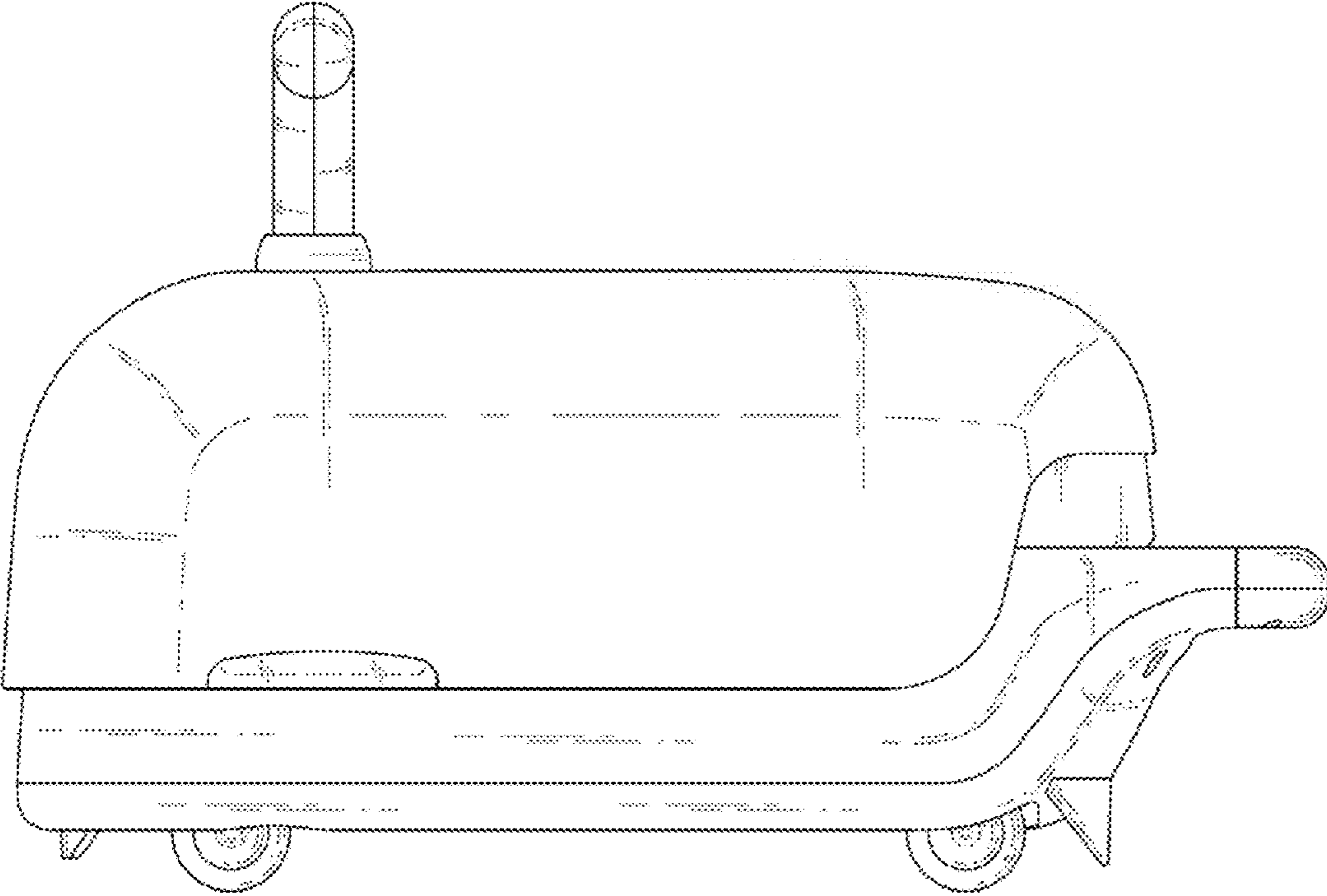


FIG. 6

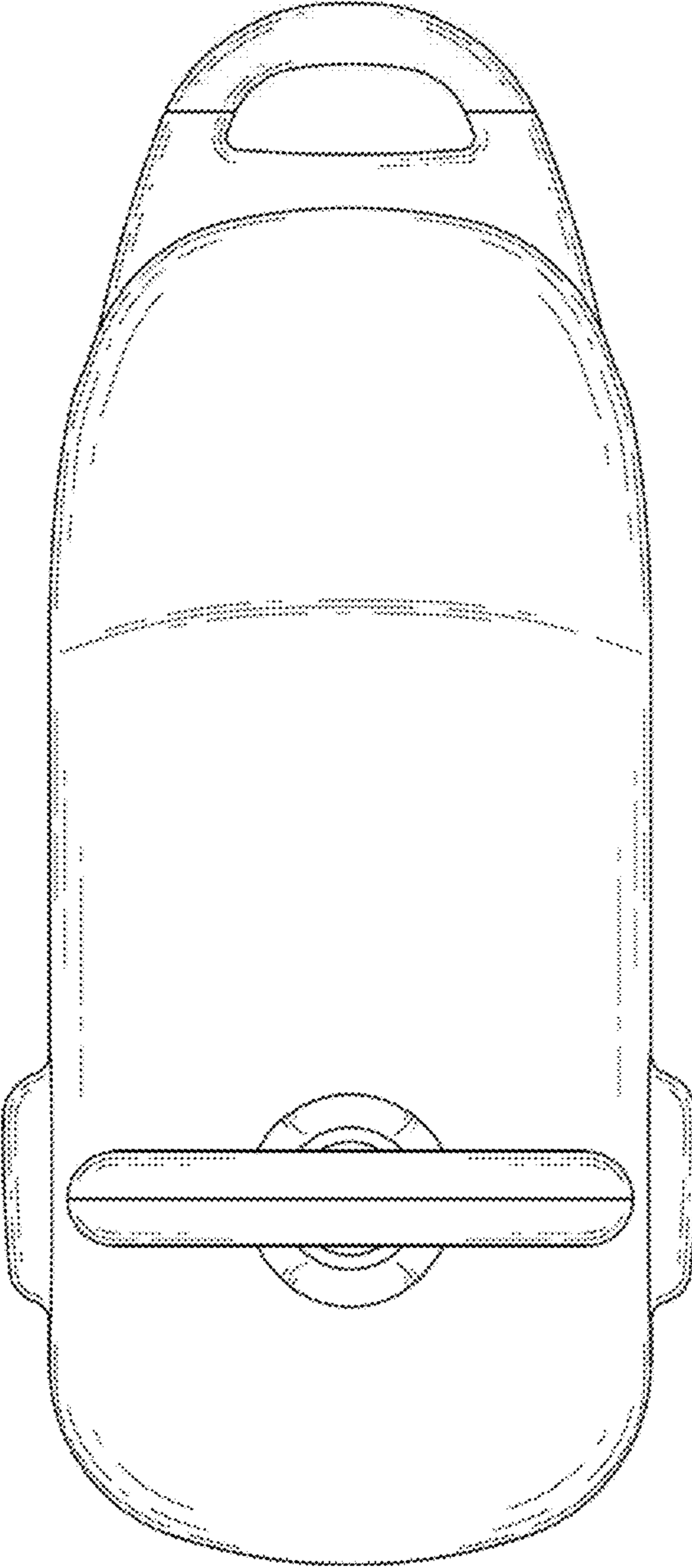


FIG. 7

