



US00D755305S

(12) **United States Design Patent**
Edlauer et al.

(10) **Patent No.:** **US D755,305 S**

(45) **Date of Patent:** **** May 3, 2016**

(54) **THREE-WHEELED SCOOTER**

(71) Applicant: **BRAVO SPORTS**, Santa Fe Springs,
CA (US)

(72) Inventors: **Kenneth Edlauer**, Newbury Park, CA
(US); **Joseph C. Klingl**, Los Angeles,
CA (US); **Christopher Michael Tinsley**,
Long Beach, CA (US); **Mark**
Groenhuyzen, Huntington Beach, CA
(US)

(73) Assignee: **Bravo Sports**, Santa Fe Springs, CA
(US)

(**) Term: **14 Years**

(21) Appl. No.: **29/487,964**

(22) Filed: **Apr. 14, 2014**

(51) **LOC (10) Cl.** **21-01**

(52) **U.S. Cl.**
USPC **D21/423**

(58) **Field of Classification Search**
USPC D21/419, 421, 423, 426-428, 435,
D21/668-671, 760, 765, 771; D12/1, 8,
D12/108, 111, 112, 113
CPC B62K 3/002; B62K 9/00; B62K 9/02;
B62K 13/00; B62K 2202/00
See application file for complete search history.

(56) **References Cited**

U.S. PATENT DOCUMENTS

D564,037 S * 3/2008 Cramer et al. D21/423
D648,402 S * 11/2011 Wang D21/423
D654,965 S * 2/2012 Herlitz et al. D21/423

D672,400 S * 12/2012 Pizzi D21/423
D698,868 S * 2/2014 Chan D21/423
2012/0018967 A1* 1/2012 Chen 280/87.041

* cited by examiner

Primary Examiner — Cynthia M Chin

(74) *Attorney, Agent, or Firm* — Knobbe, Martens, Olson &
Bear, LLP

(57) **CLAIM**

The ornamental design for a three-wheel scooter, as shown
and described.

DESCRIPTION

FIG. 1 is a perspective view showing a top surface of a first
embodiment of a three-wheel scooter.

FIG. 2 is a right side view of the three-wheel scooter of FIG.
1.

FIG. 3 is a left side view of the three-wheel scooter of FIG. 1.

FIG. 4 is a rear view of the three-wheel scooter of FIG. 1.

FIG. 5 is a front view of the three-wheel scooter of FIG. 1.

FIG. 6 is a top view of the three-wheel scooter of FIG. 1.

FIG. 7 is a bottom view of the three-wheel scooter of FIG. 1.

FIG. 8 is a perspective view showing a top surface of a second
embodiment of a three-wheel scooter.

FIG. 9 is a right side view of the three-wheel scooter of FIG.
8.

FIG. 10 is a left side view of the three-wheel scooter of FIG.
8.

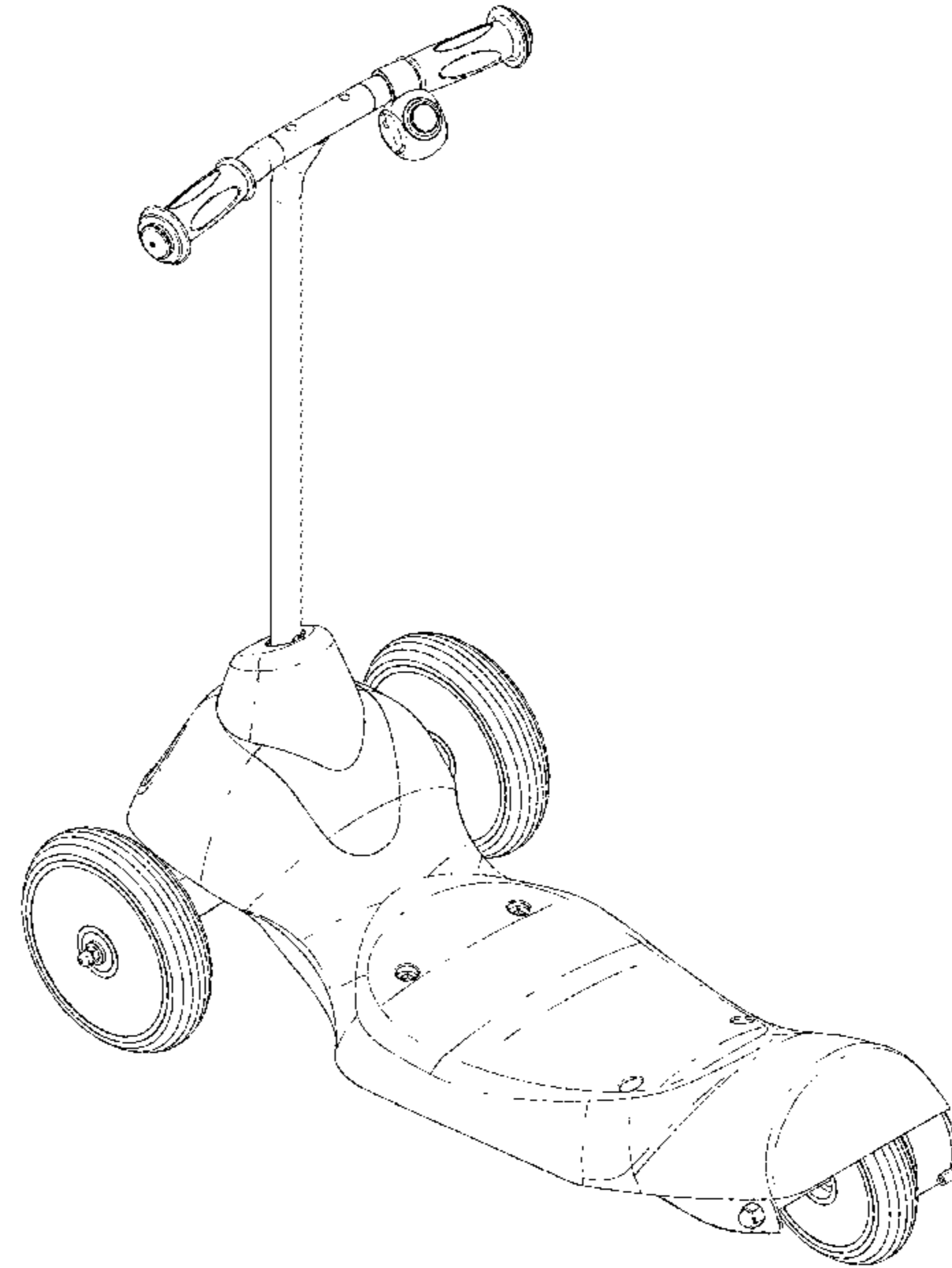
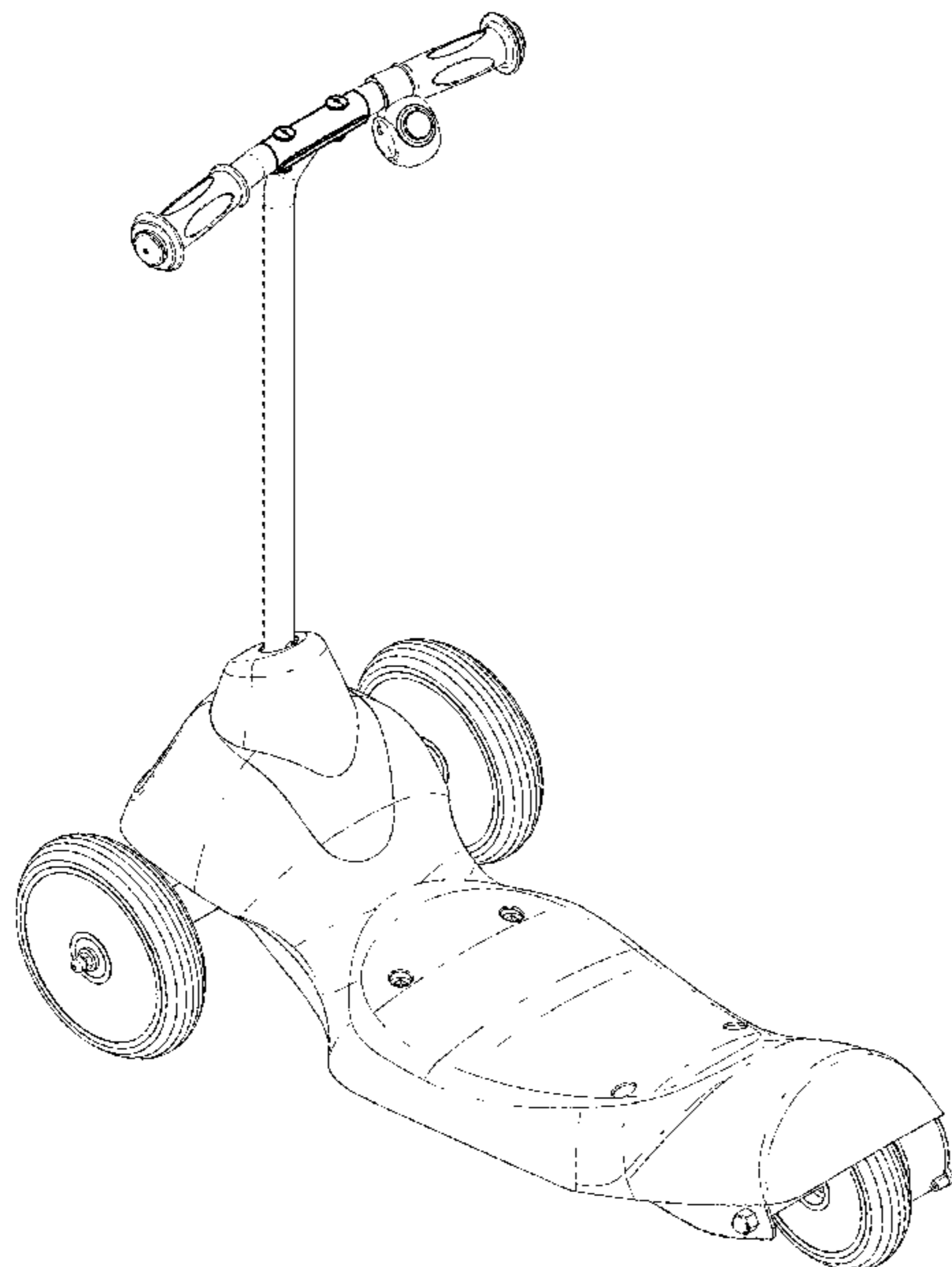
FIG. 11 is a rear view of the three-wheel scooter of FIG. 8.

FIG. 12 is a front view of the three-wheel scooter of FIG. 8.

FIG. 13 is a top view of the three-wheel scooter of FIG. 8; and,

FIG. 14 is a bottom view of the three-wheel scooter of FIG. 8.
Where utilized, the broken lines show portions of the three-
wheeled scooter that form no part of the claimed design.

1 Claim, 10 Drawing Sheets



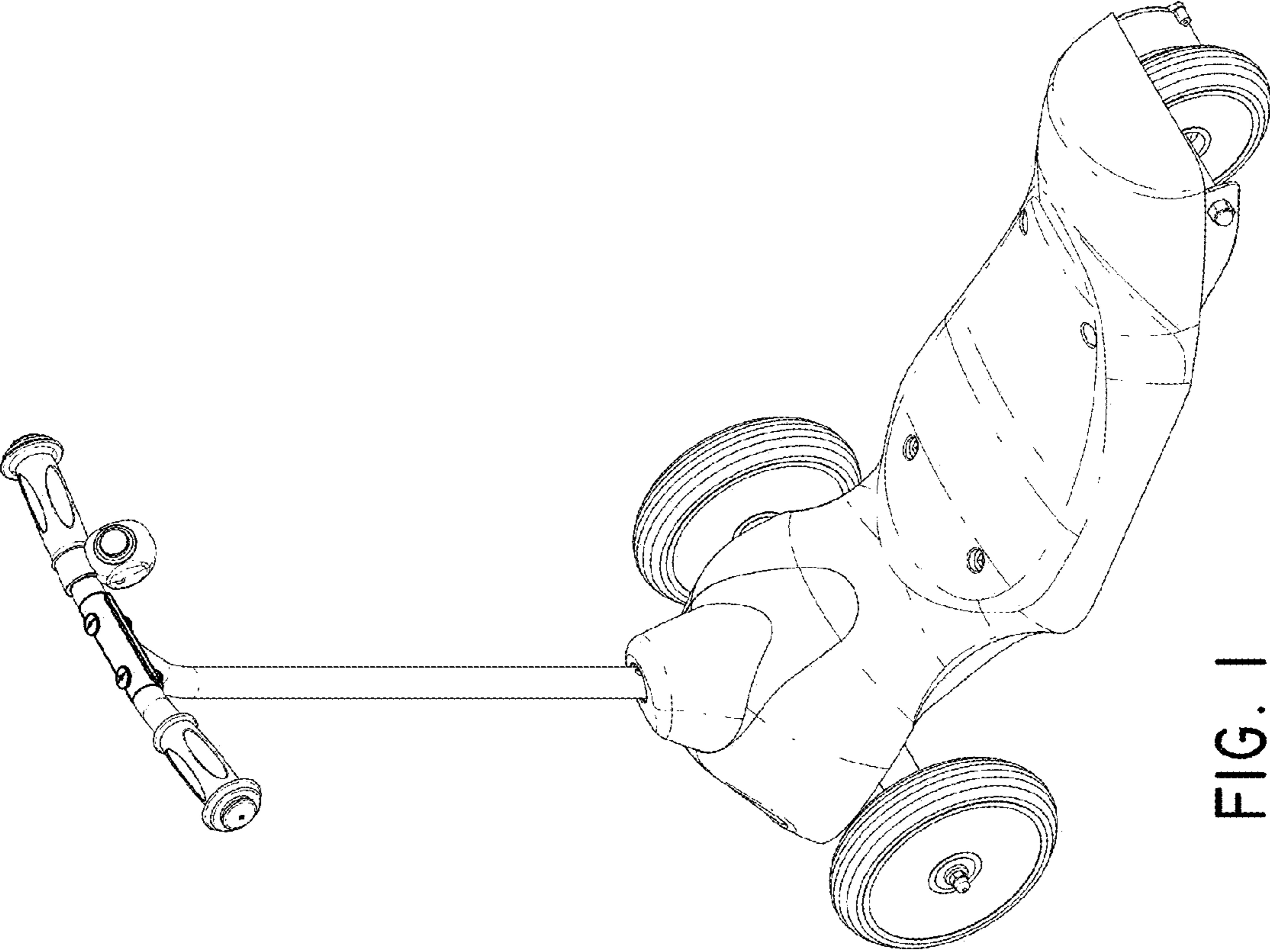


FIG. 1

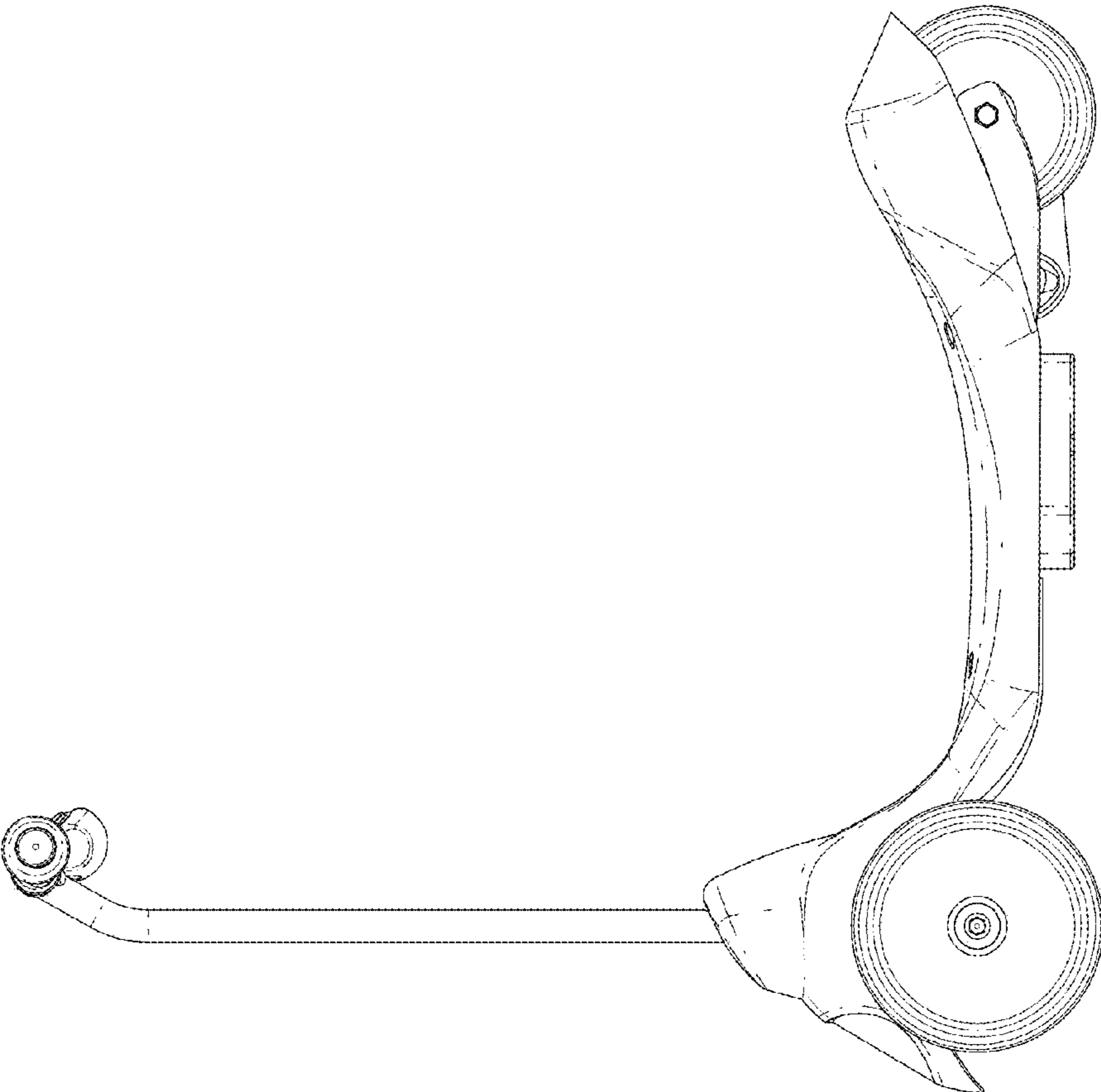


FIG. 2

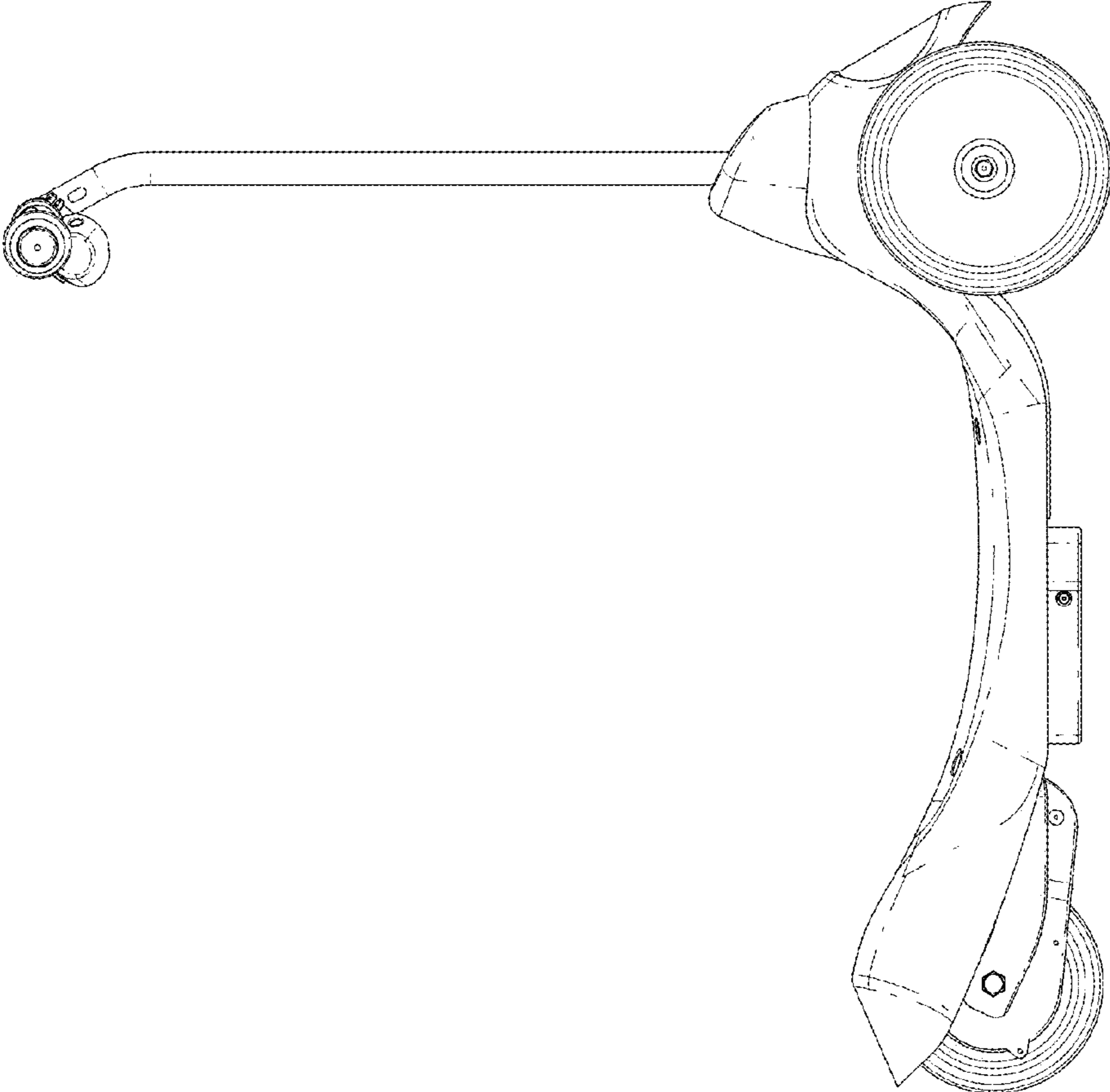


FIG. 3

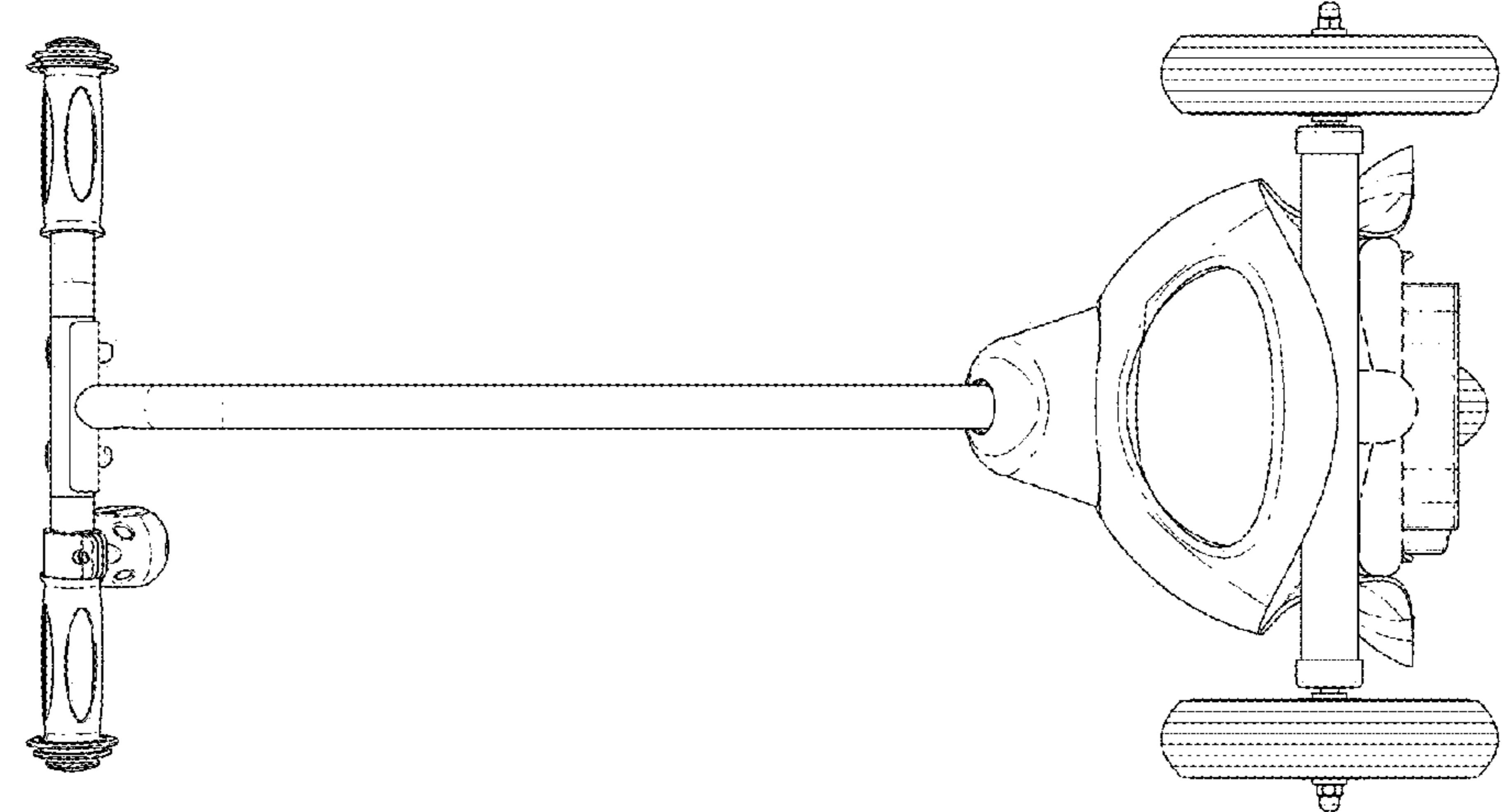


FIG. 5

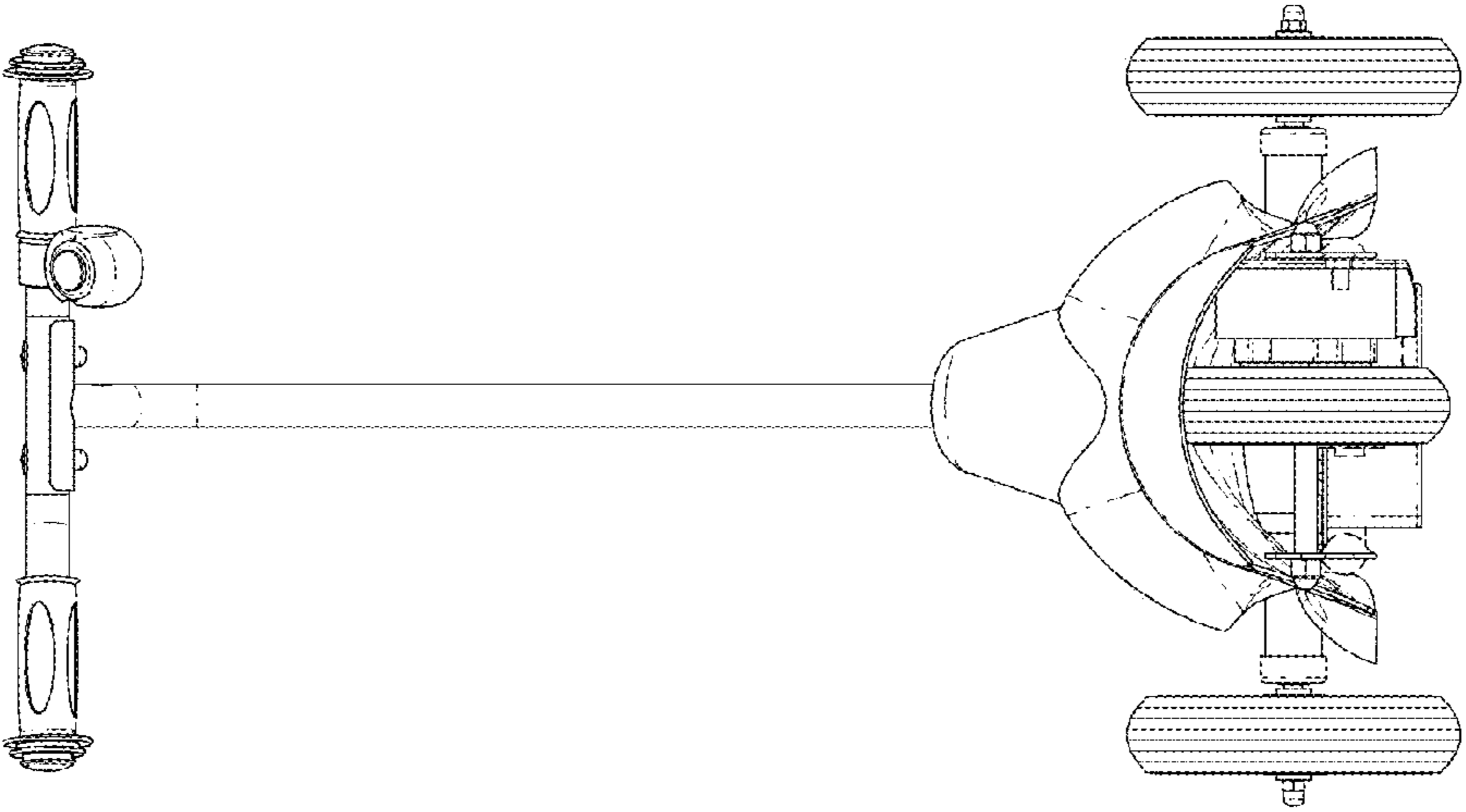


FIG. 4

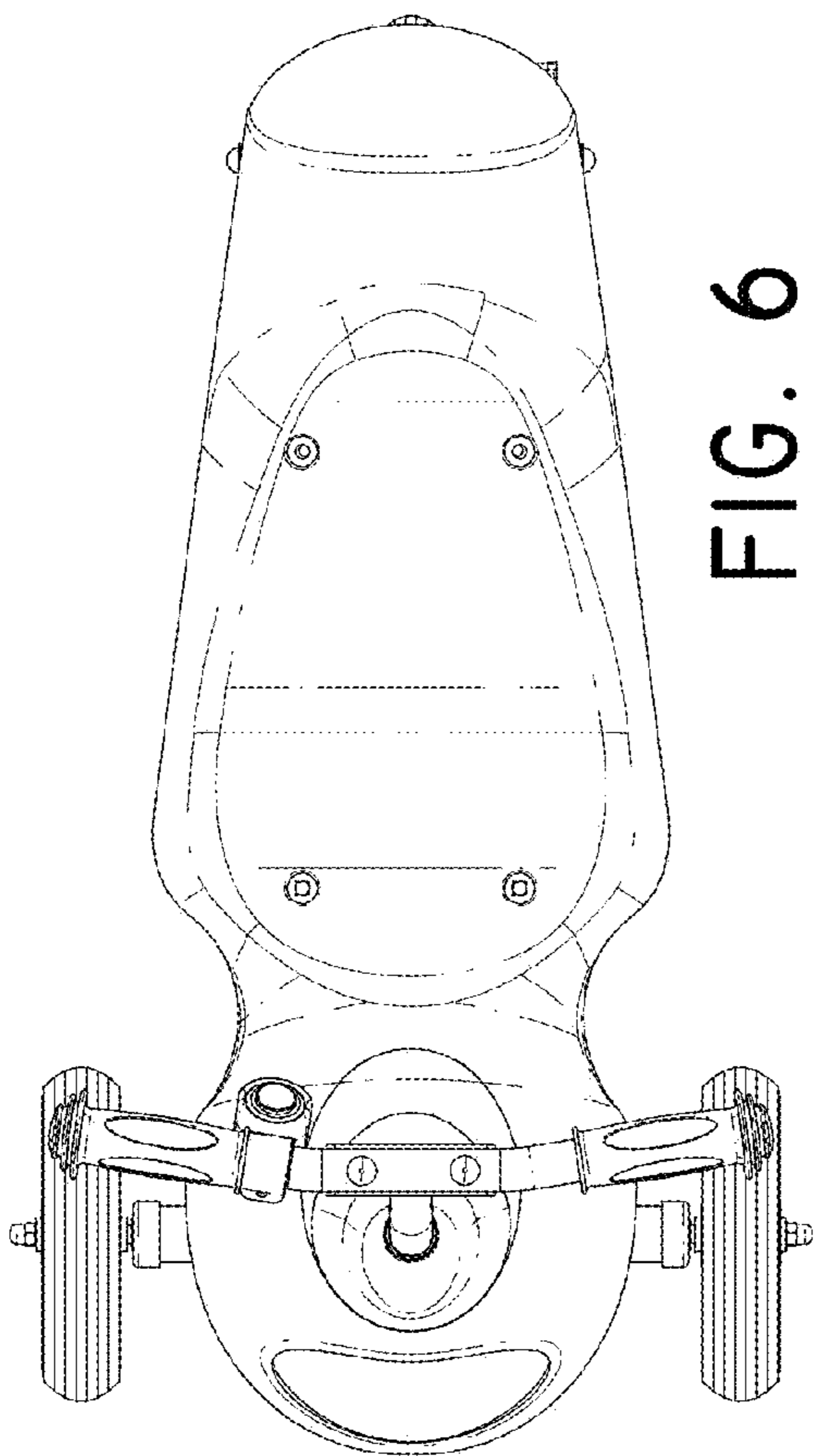


FIG. 6

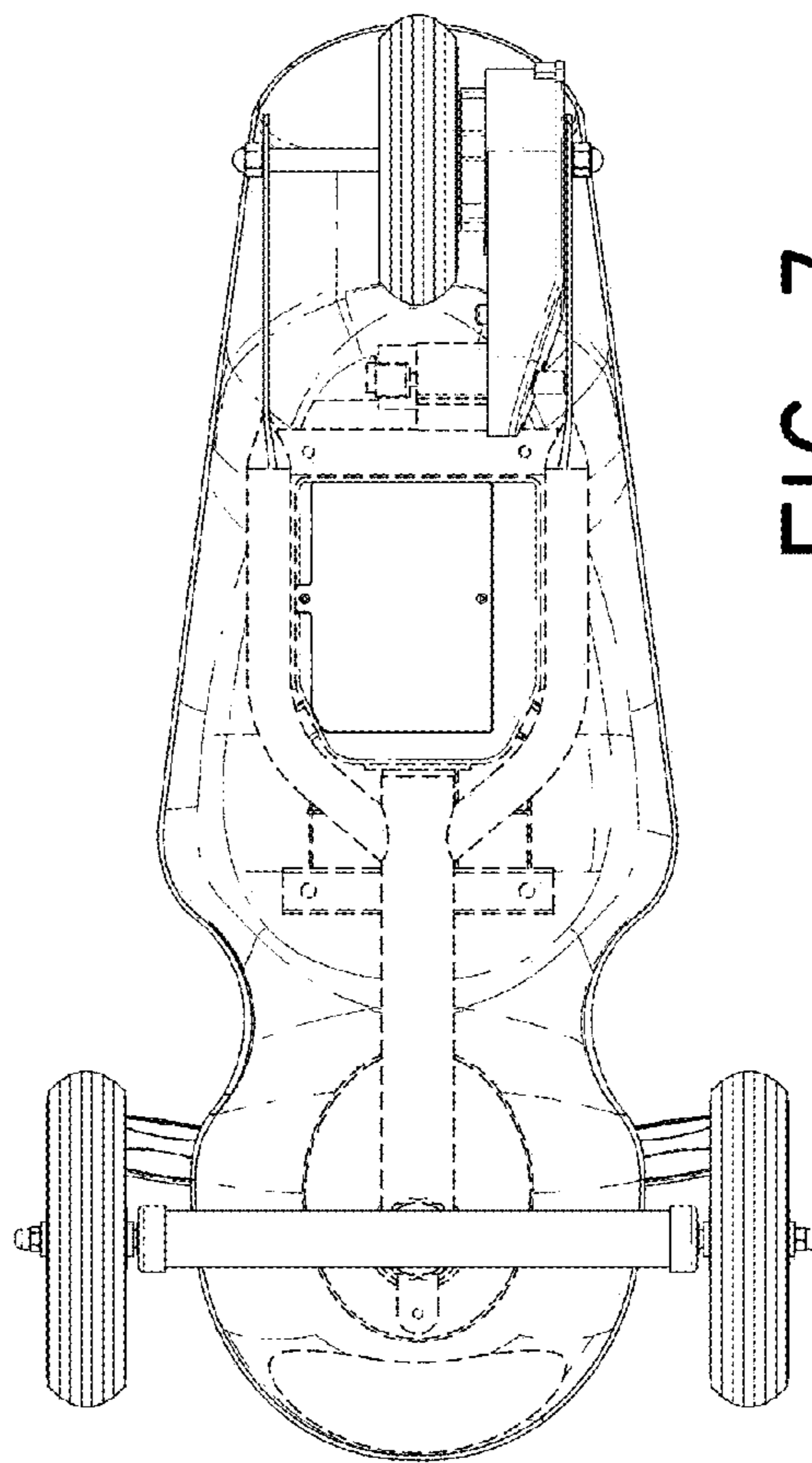


FIG. 7

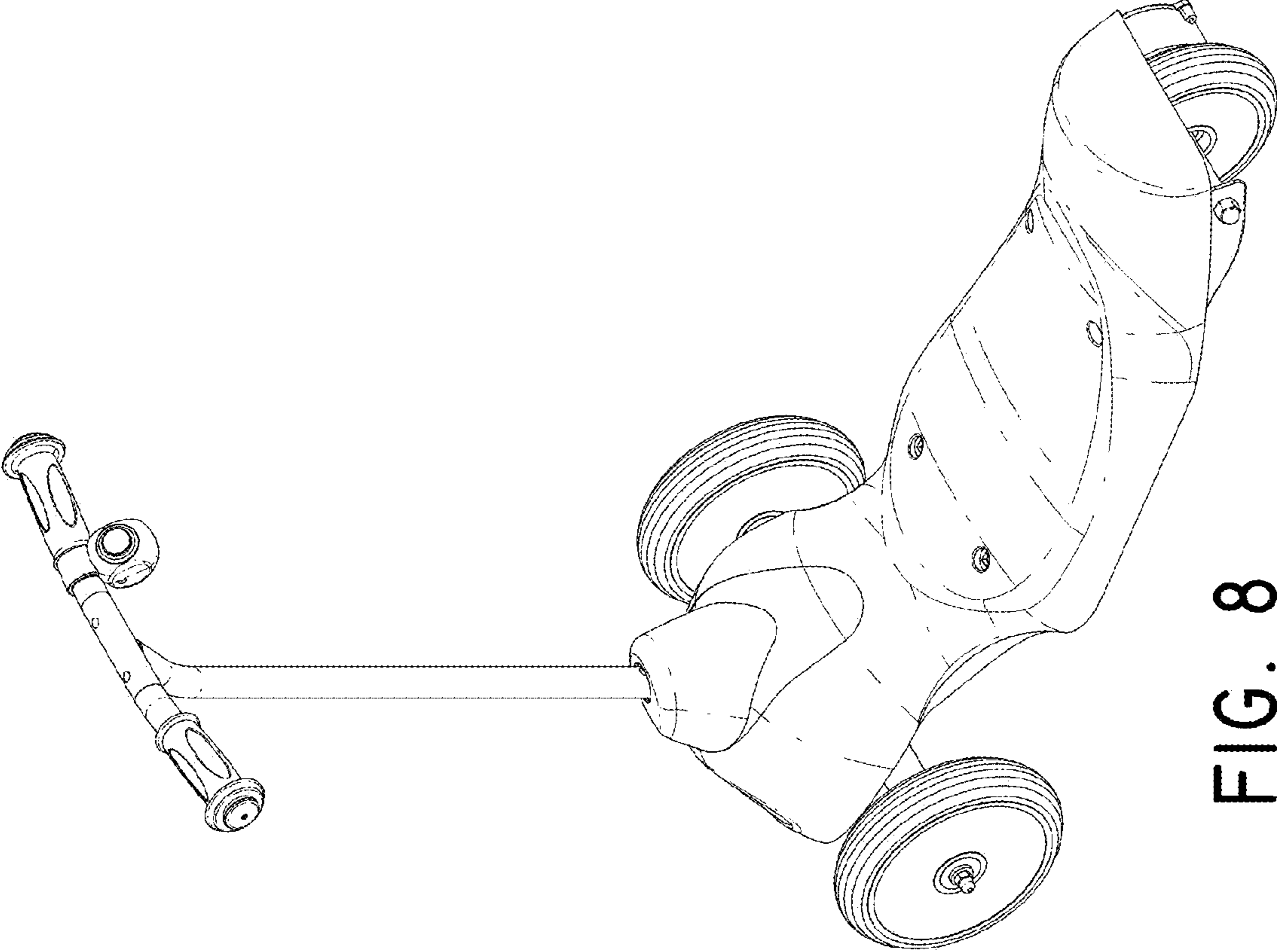


FIG. 8

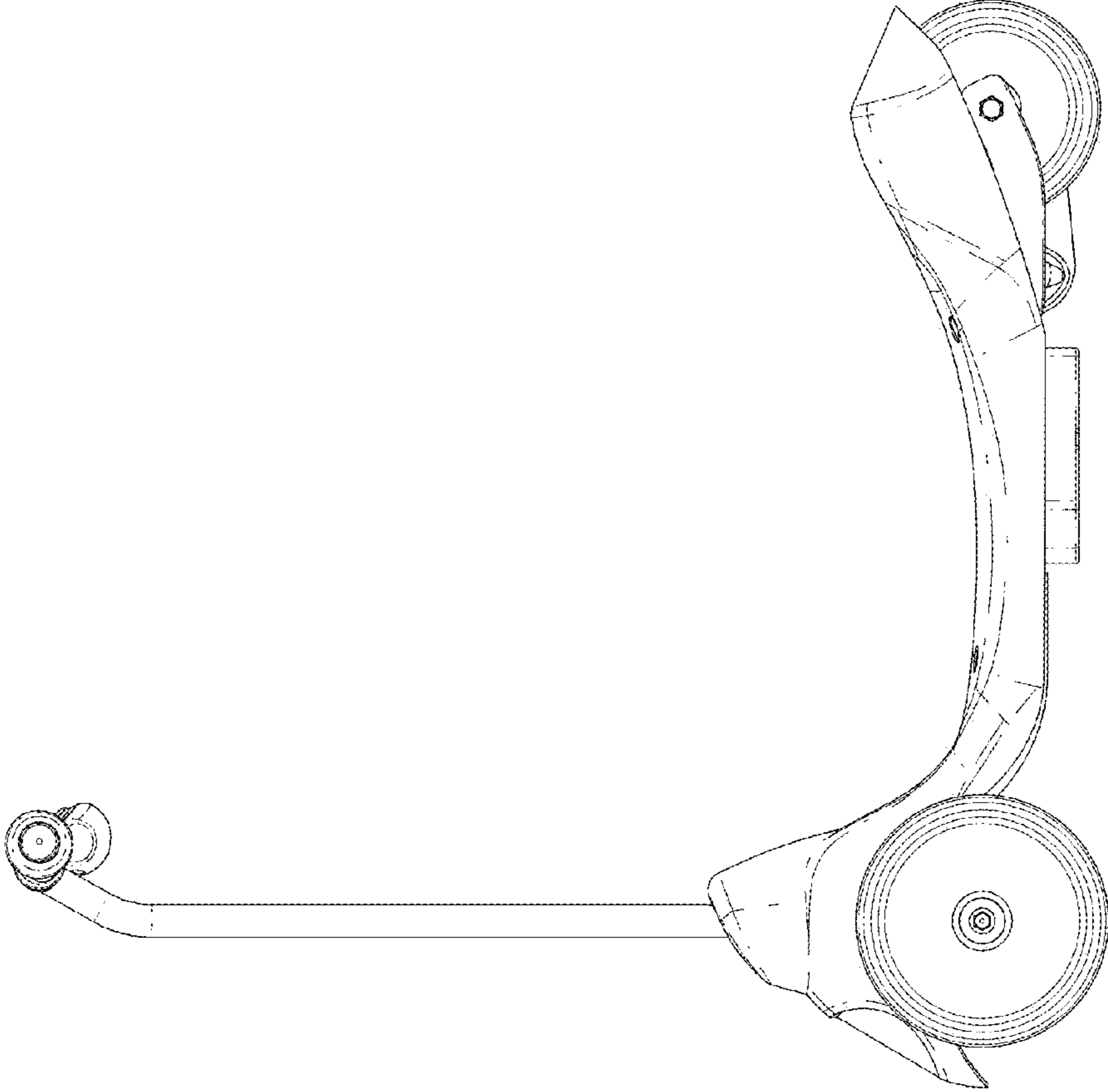


FIG. 9

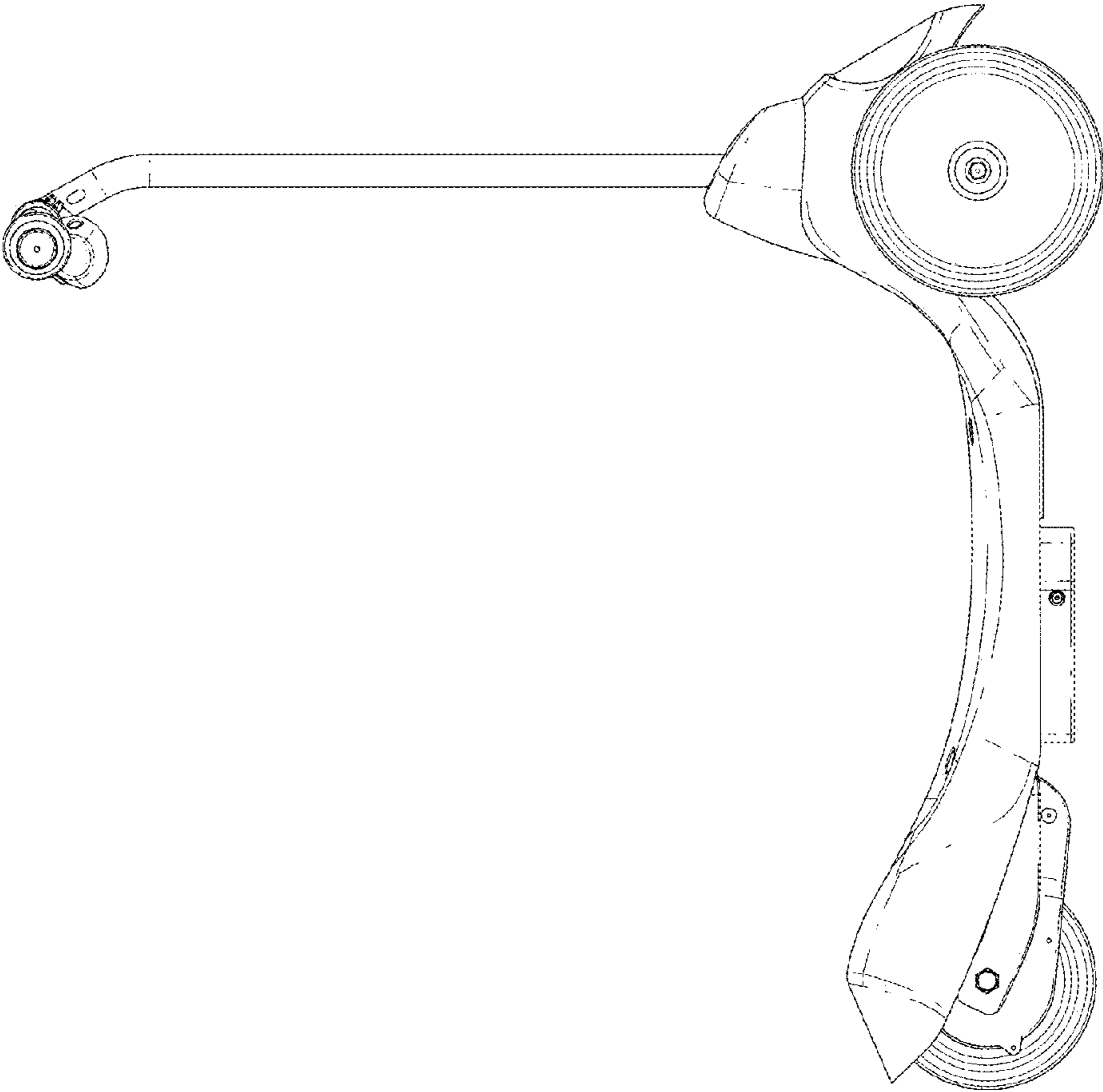


FIG. 10

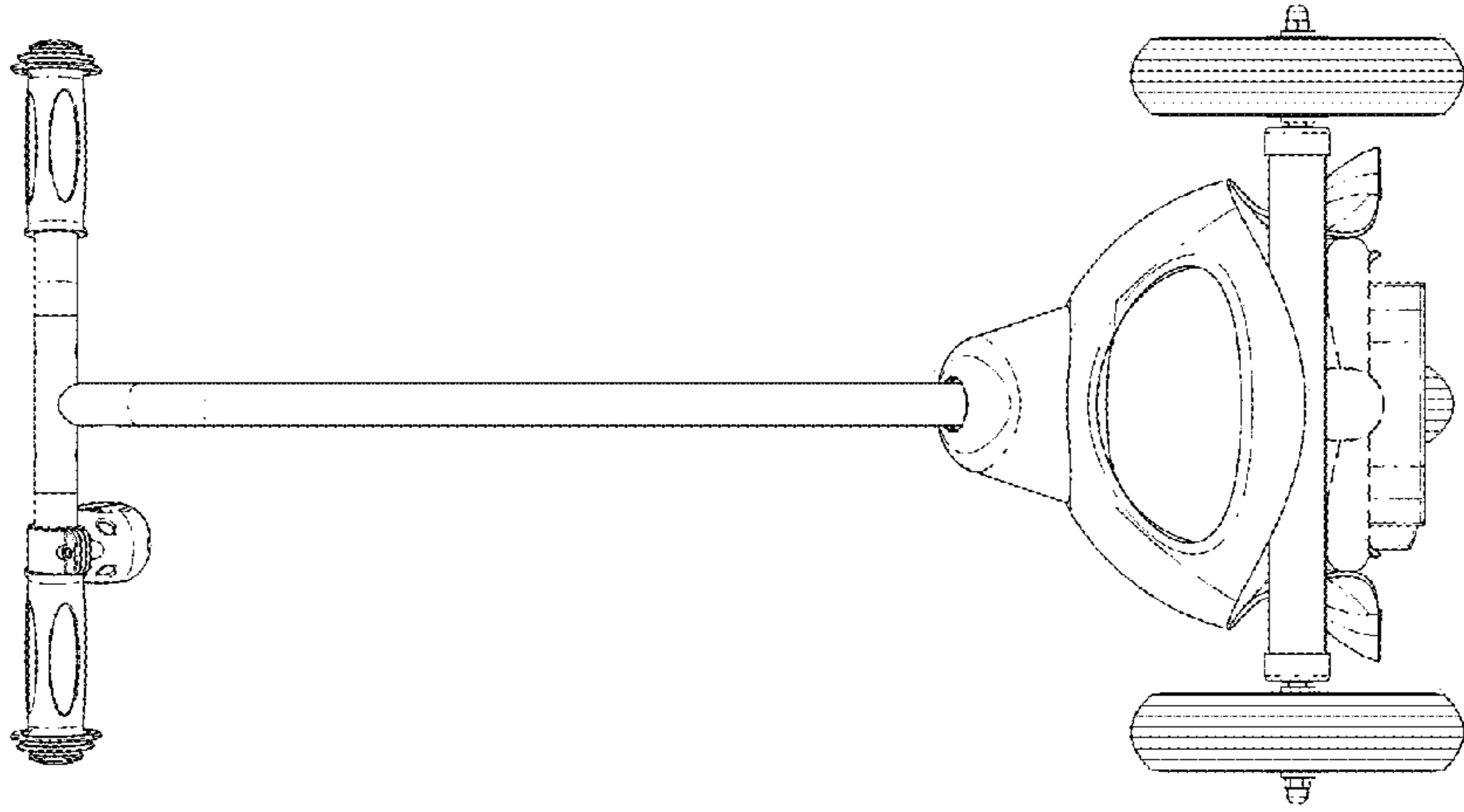


FIG. 12

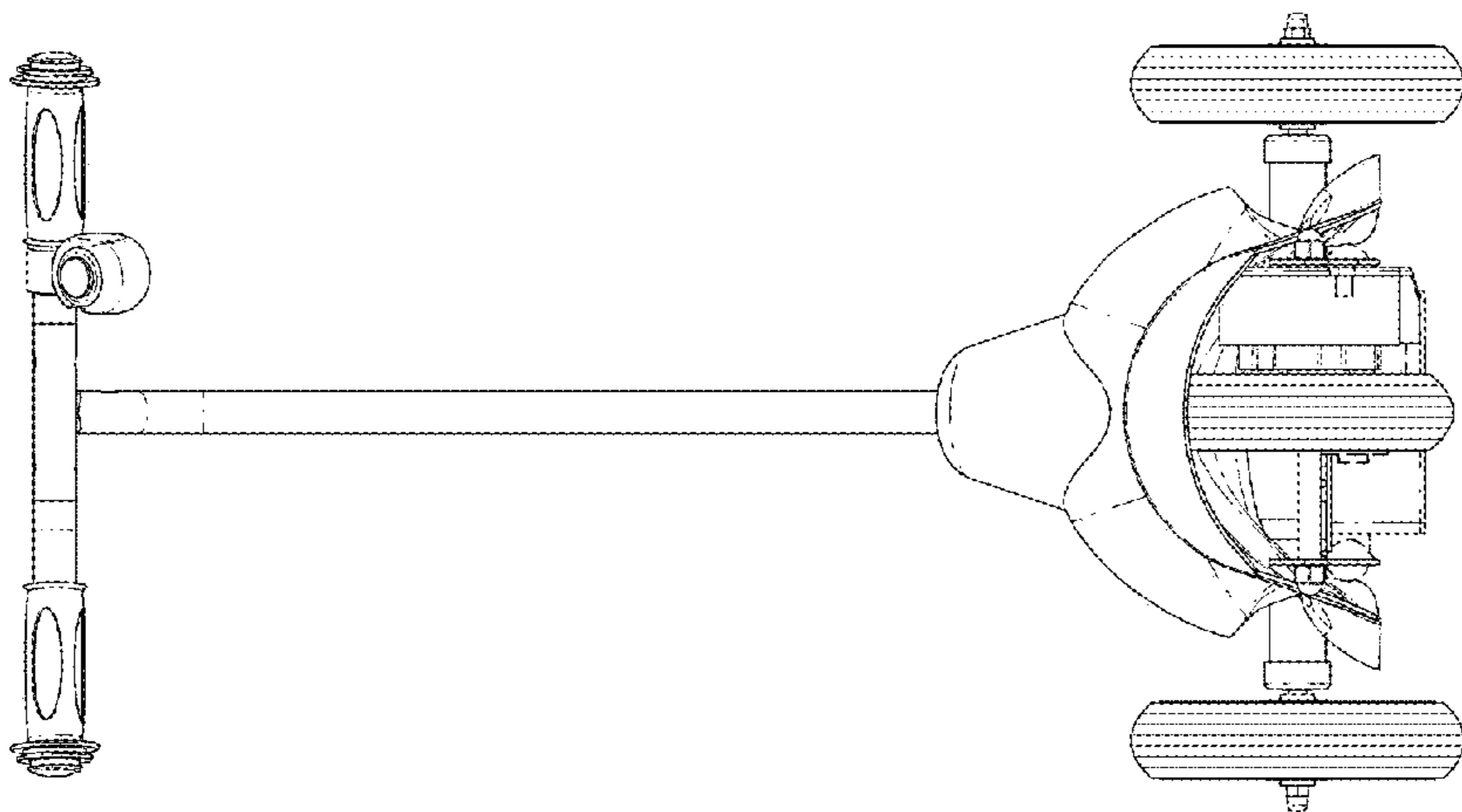


FIG. 11

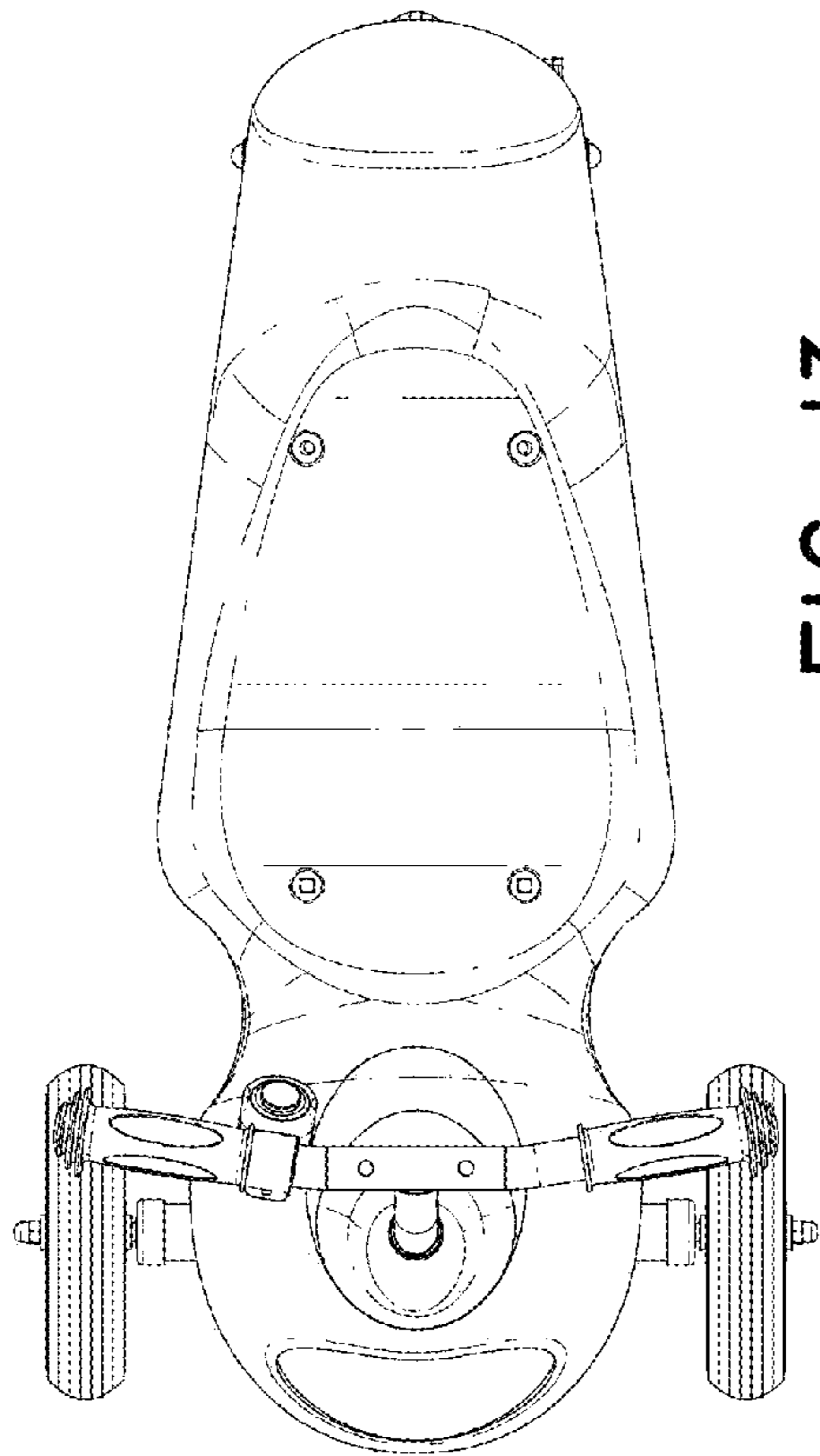


FIG. 13

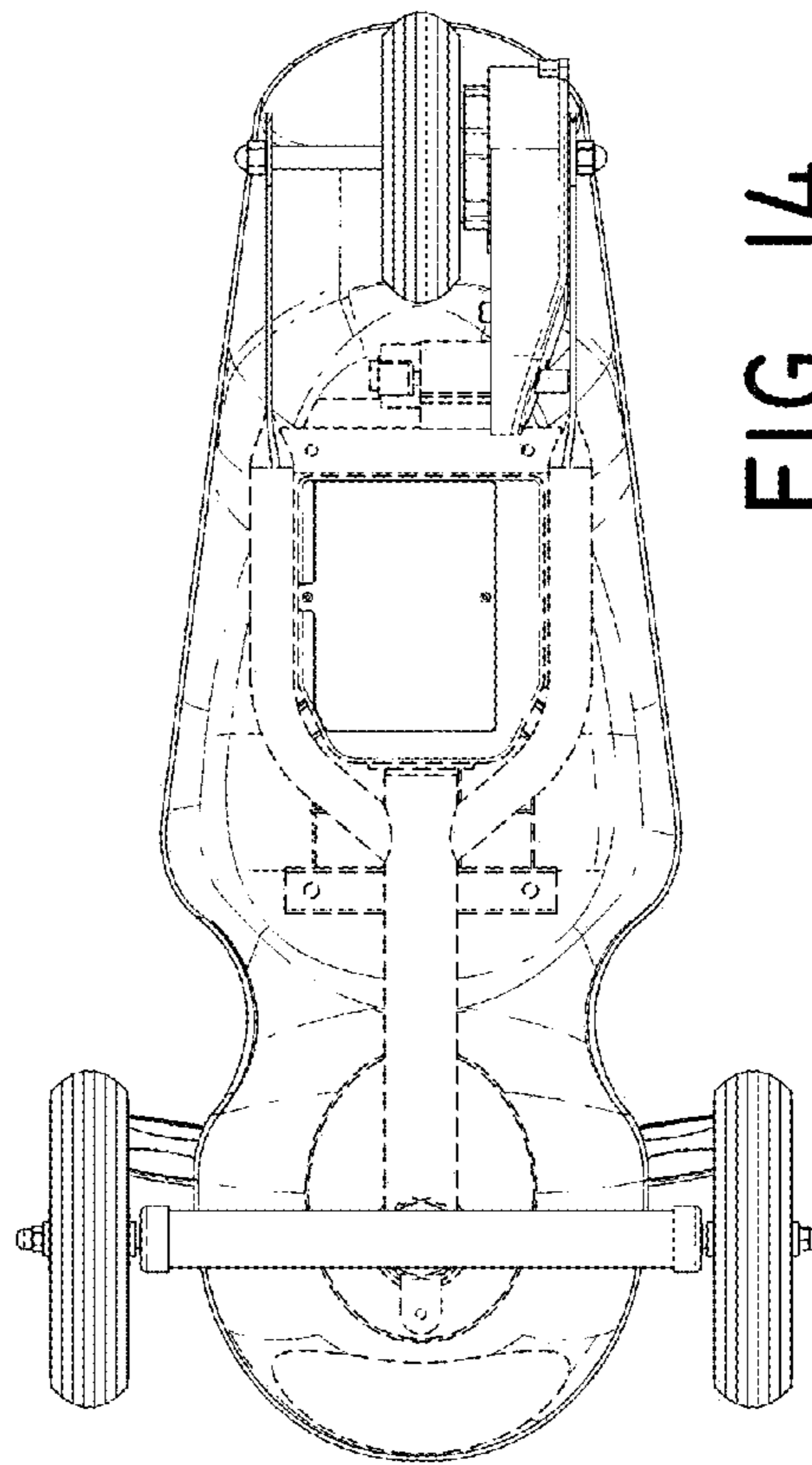


FIG. 14